

US00D696163S

(12) **United States Design Patent**
Hamer

(10) **Patent No.:** **US D696,163 S**

(45) **Date of Patent:** **** Dec. 24, 2013**

(54) **QUICK RELEASE HITCH SYSTEM**

Primary Examiner — Katrina A Betton

(75) **Inventor:** **Phillip Patrick Hamer**, Georgetown, TX (US)

(74) *Attorney, Agent, or Firm* — Nath, Goldberg & Meyer; Jerald L. Meyer

(73) **Assignee:** **Hamer Innovative Products, LLC**, Liberty Hill, TX (US)

(57) **CLAIM**

The ornamental design for a quick release hitch system, as shown and described.

(**) **Term:** **14 Years**

DESCRIPTION

(21) **Appl. No.:** **29/404,019**

(22) **Filed:** **Oct. 13, 2011**

(51) **LOC (9) Cl.** **12-16**

(52) **U.S. Cl.**
USPC **D12/162**

(58) **Field of Classification Search**
USPC D12/162, 159, 160, 161; 56/DIG. 14;
37/399; 280/406.2, 407, 407.1, 408,
280/411.1, 416.1, 416.2, 416.3, 418, 418.1,
280/433, 434, 435, 441.1, 441.2, 455.1,
280/456.1, 480, 493, 504, 507, 508;
224/42.11, 42.12, 42.14, 42.26, 400,
224/401, 412, 413, 488, 494, 500–501, 519,
224/537; 135/88.05; 150/166
See application file for complete search history.

FIG. 1 is a front view of a quick release hitch system, shown in a first, covered, configuration;
FIG. 2 is a right side view of the quick release hitch system shown in FIG. 1;
FIG. 3 is a side perspective view of the quick release hitch system shown in FIG. 1;
FIG. 4 is a top perspective view of the quick release hitch system shown in FIG. 1;
FIG. 5 is a front view of the quick release hitch system, shown in a second, uncovered, configuration;
FIG. 6 is a right side view of the quick release hitch system shown in FIG. 5;
FIG. 7 is a side perspective view of the quick release hitch system shown in FIG. 5;
FIG. 8 is a top perspective view of the quick release hitch system shown in FIG. 5;
FIG. 9 is a front view of the quick release hitch system, shown in a third configuration;
FIG. 10 is a right side view of the quick release hitch system shown in FIG. 9;
FIG. 11 is a side perspective view of the quick release hitch system shown in FIG. 9; and,
FIG. 12 is a top perspective view of the quick release hitch system shown in FIG. 9.

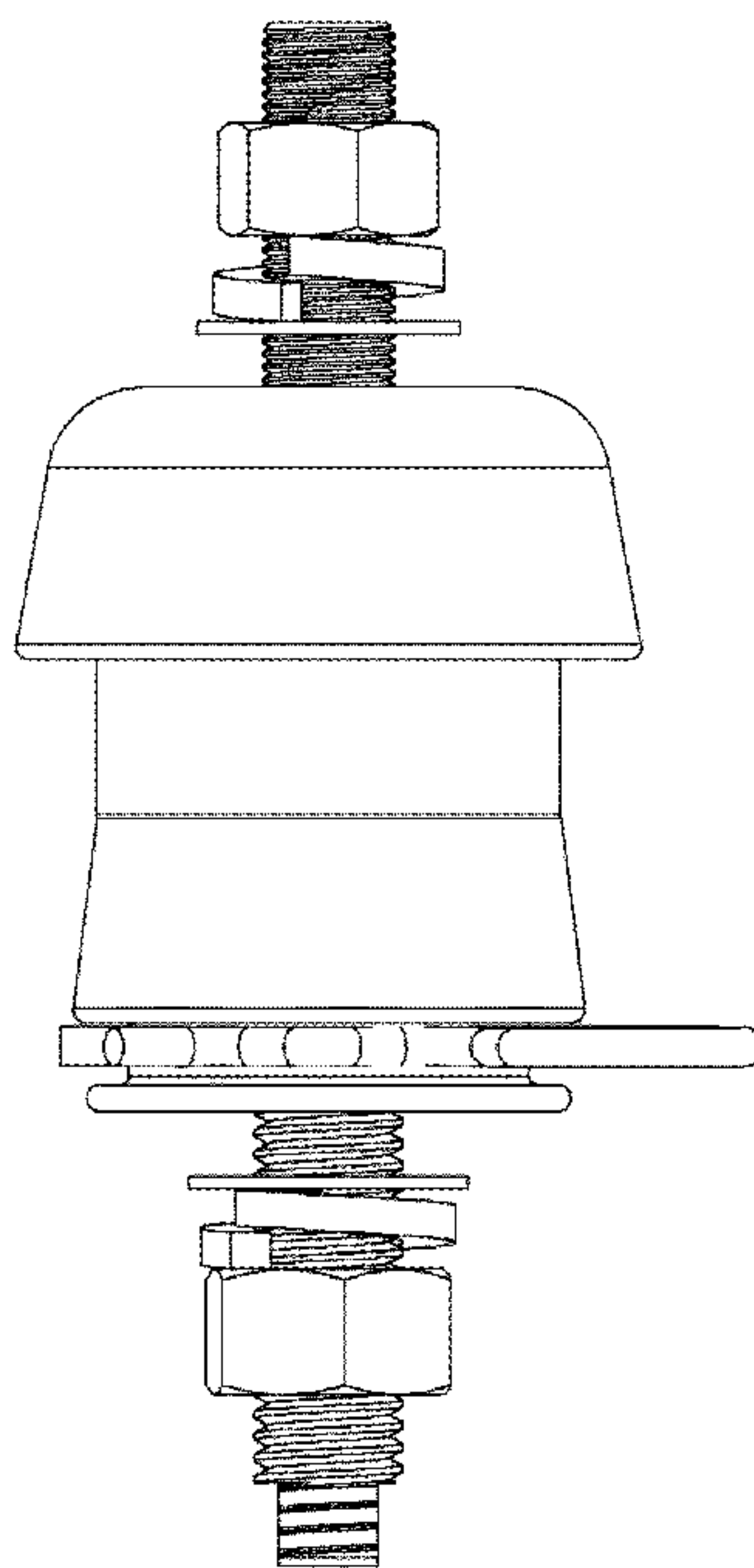
(56) **References Cited**

U.S. PATENT DOCUMENTS

D405,019 S *	2/1999	Neuman	D10/83
D436,065 S *	1/2001	Peng	D12/162
D485,217 S *	1/2004	McCoy et al.	D12/162
D488,110 S *	4/2004	Borysenko	D12/162
D565,476 S *	4/2008	Frazier	D12/162

* cited by examiner

1 Claim, 6 Drawing Sheets



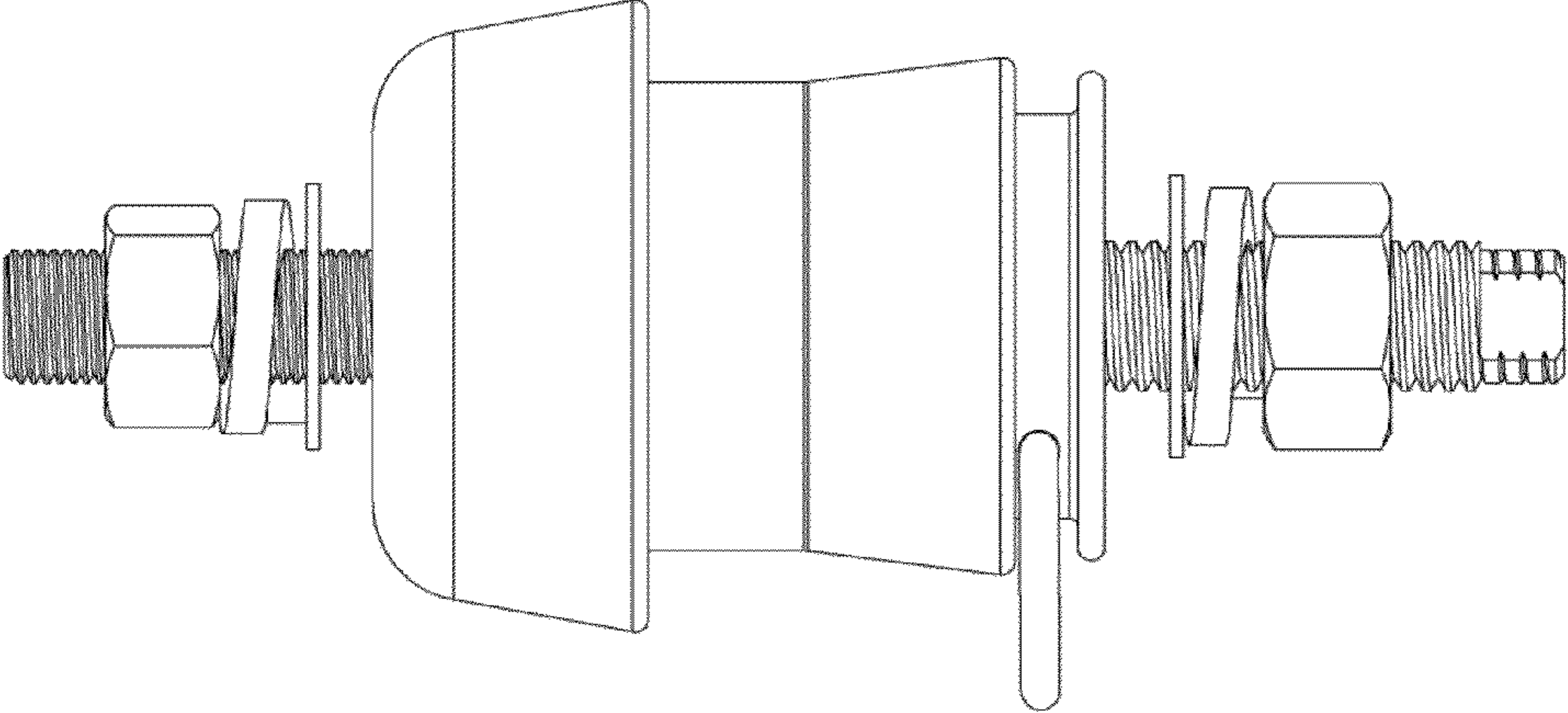


FIG. 2

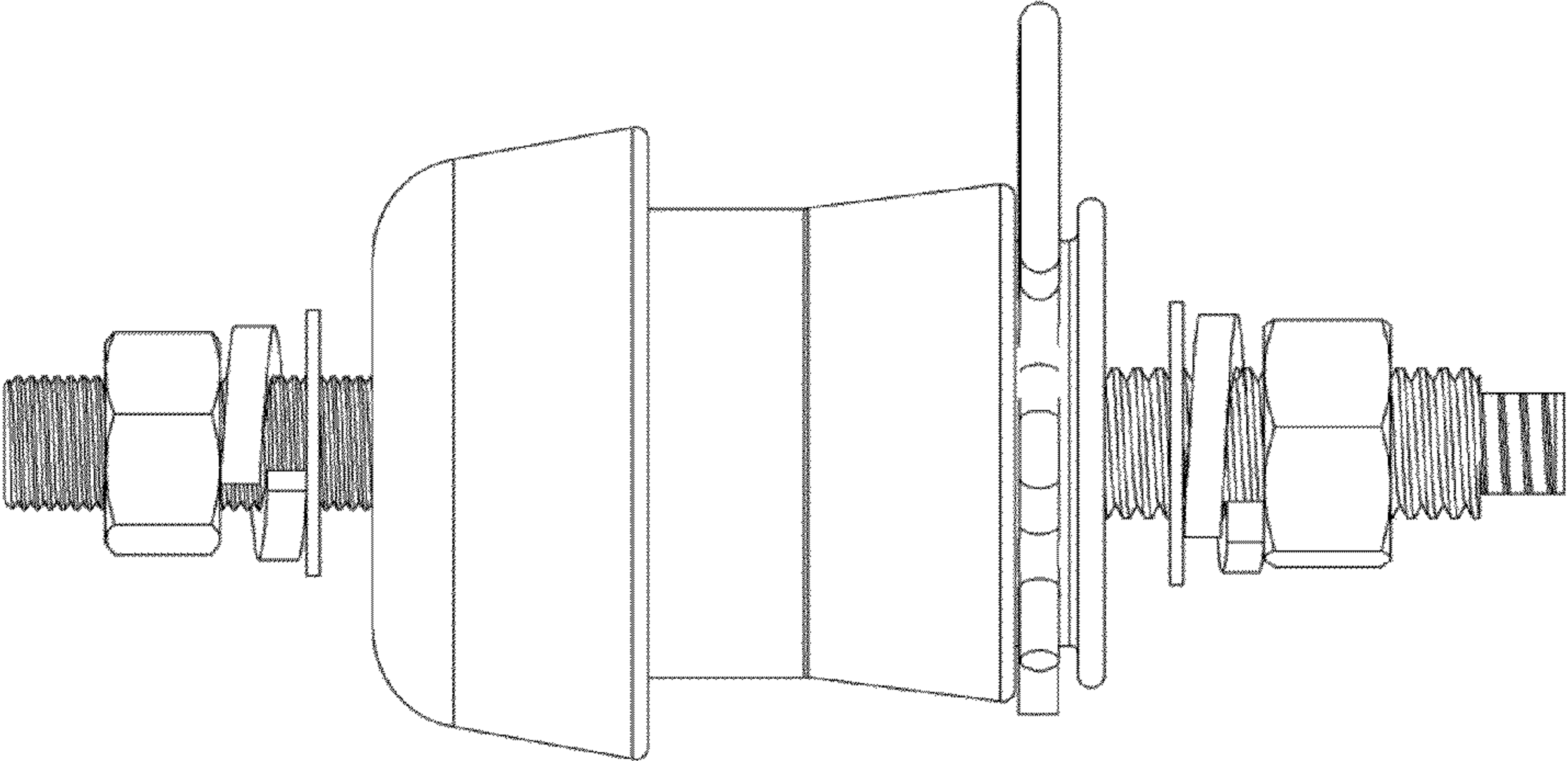


FIG. 1

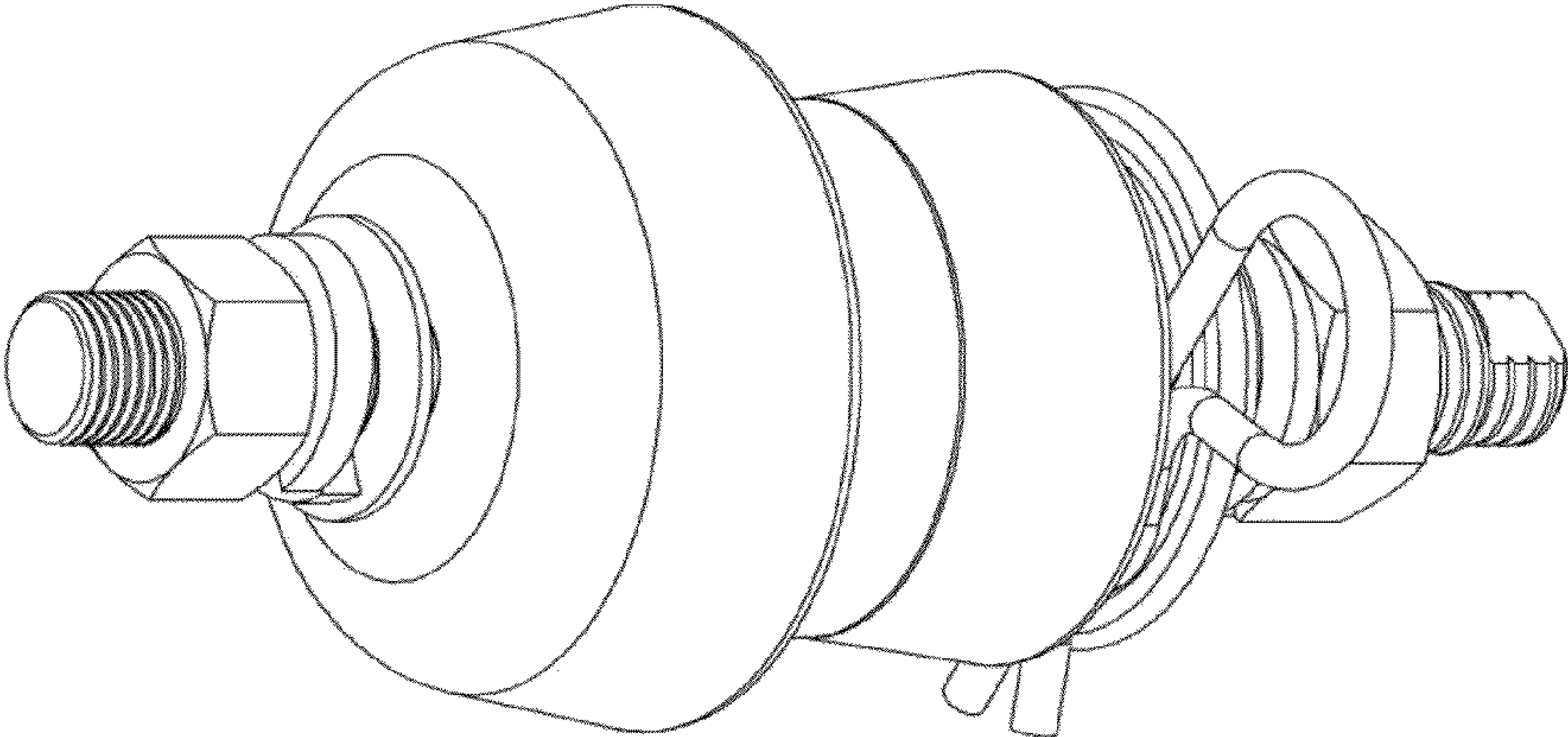


FIG. 4

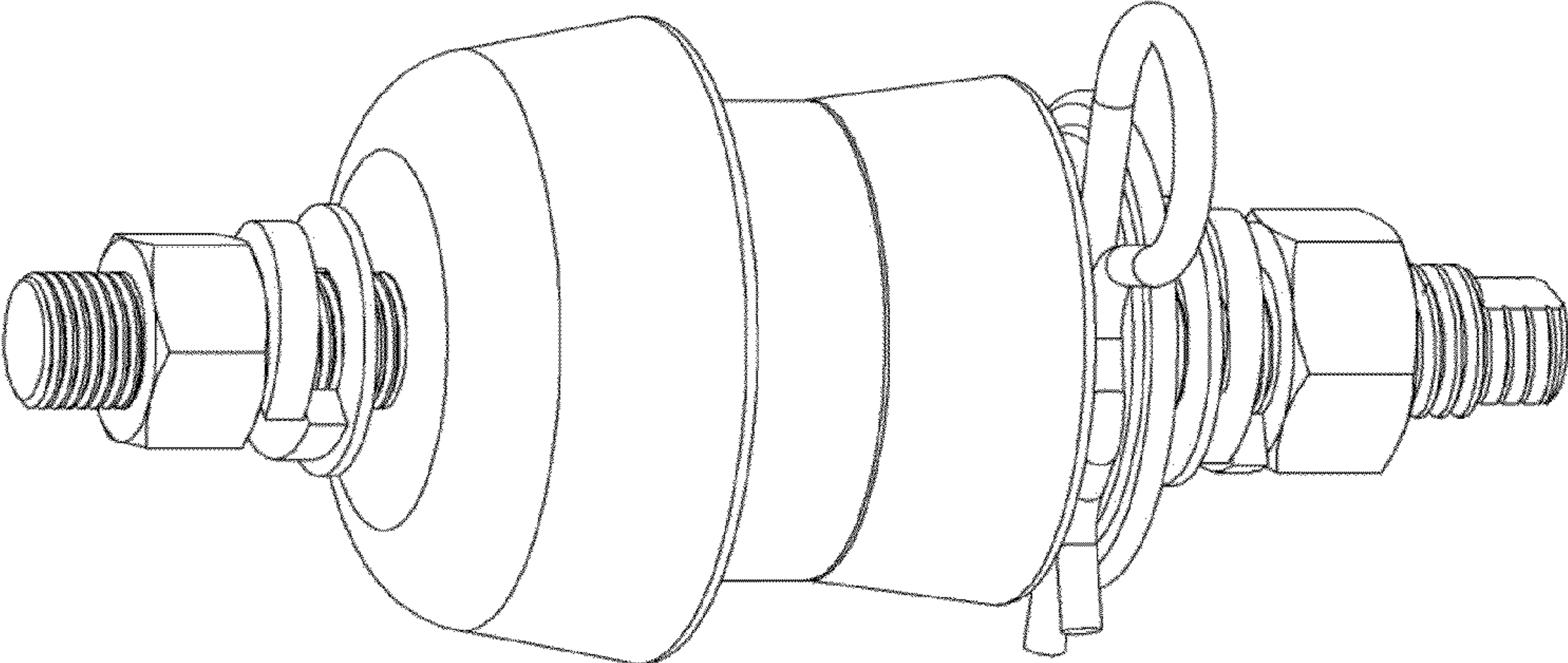


FIG. 3

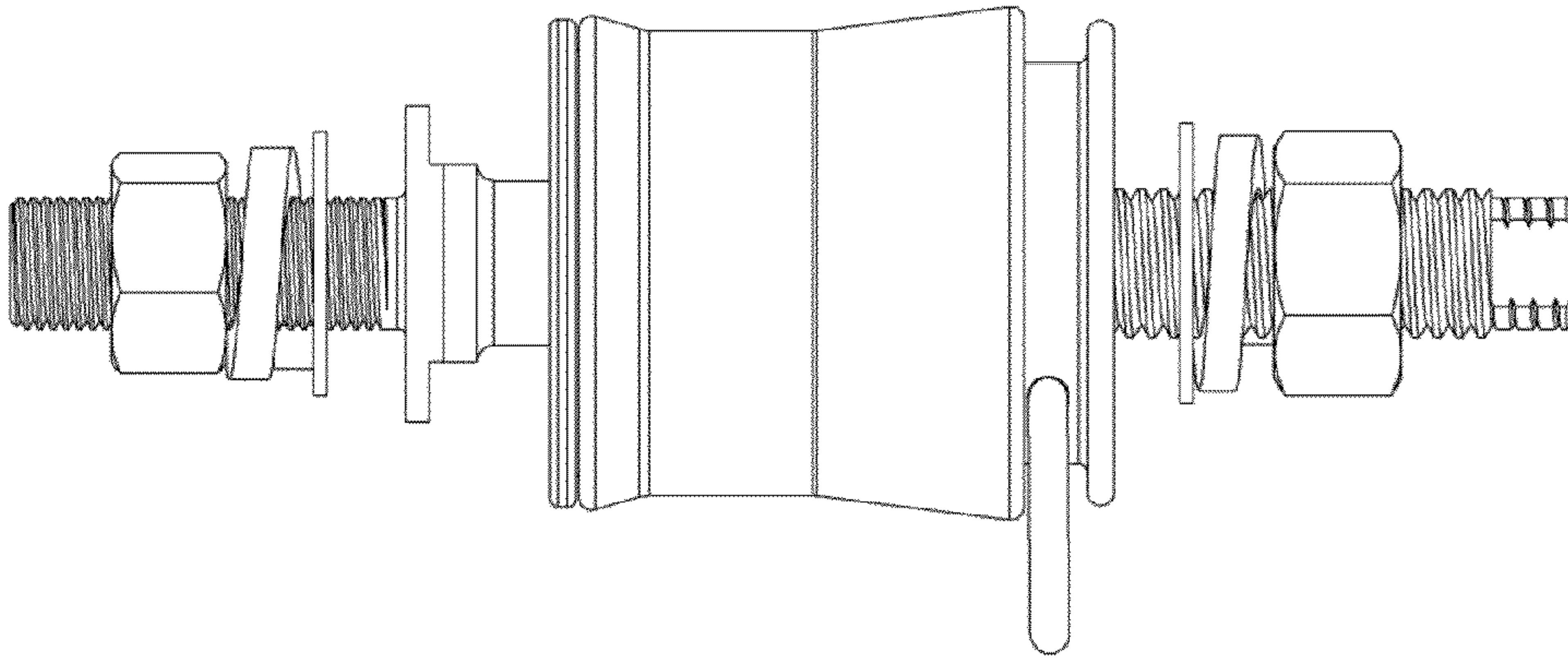


FIG. 6

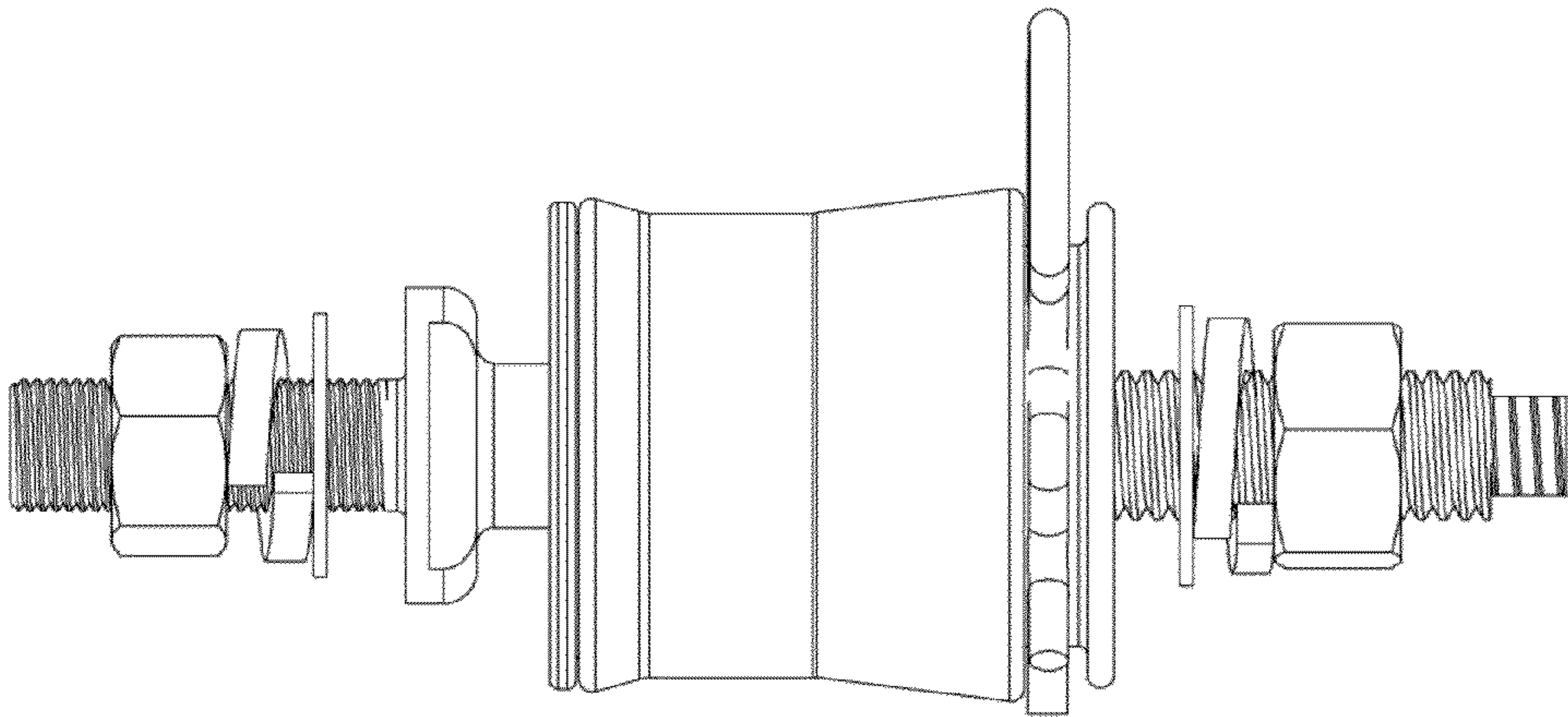


FIG. 5

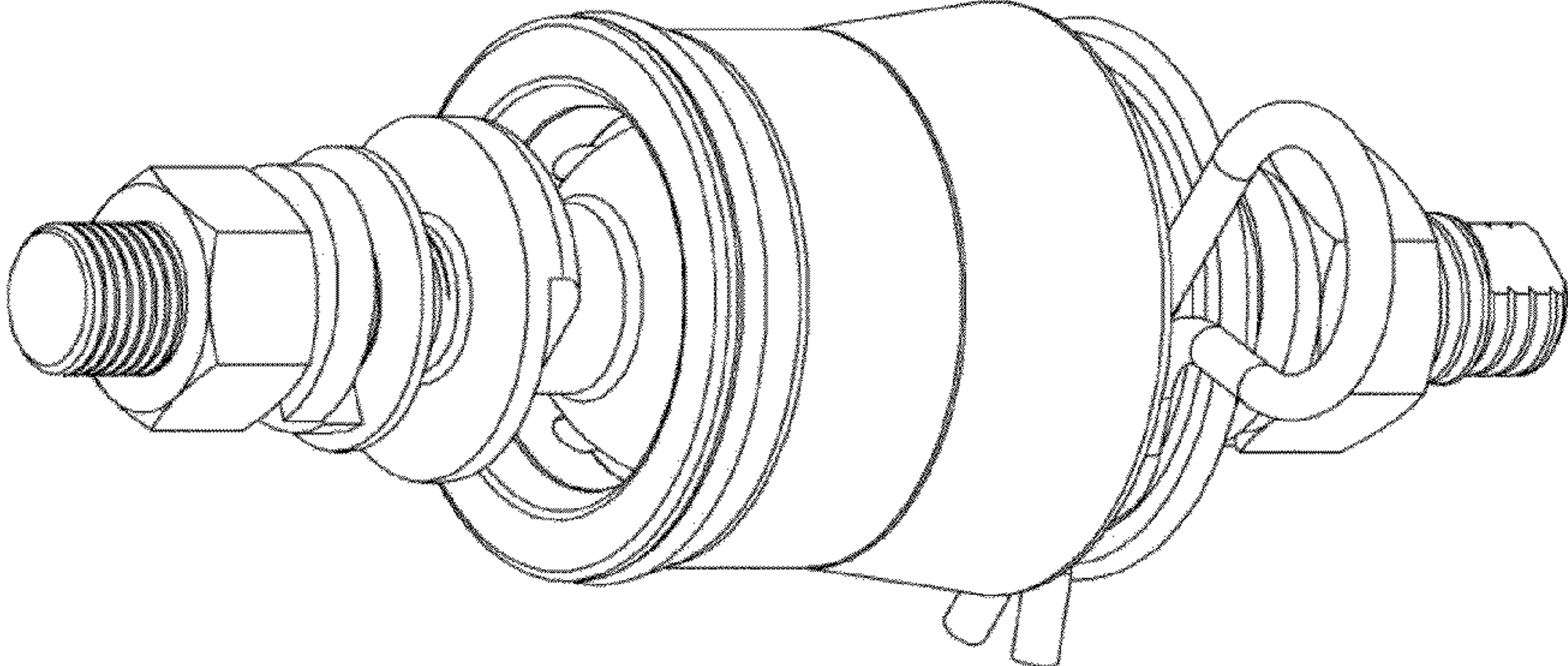


FIG. 8

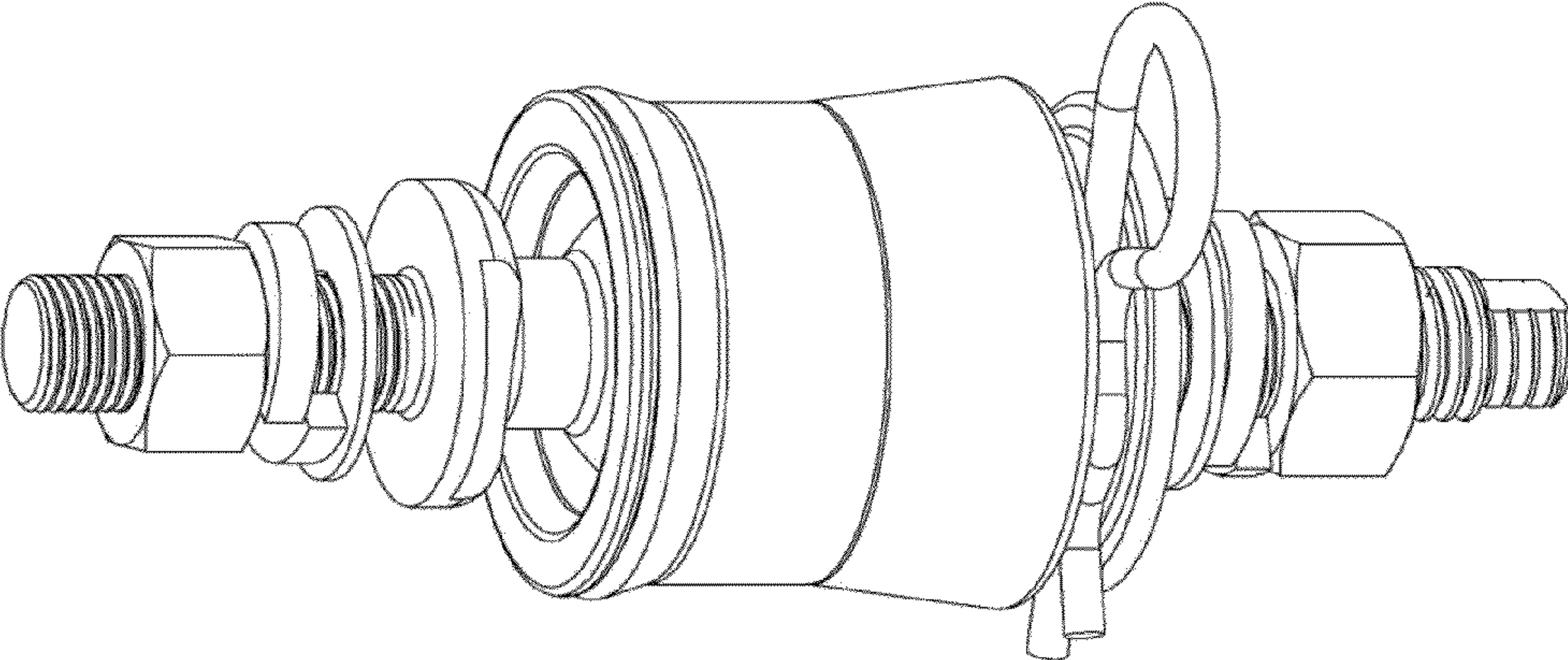


FIG. 7

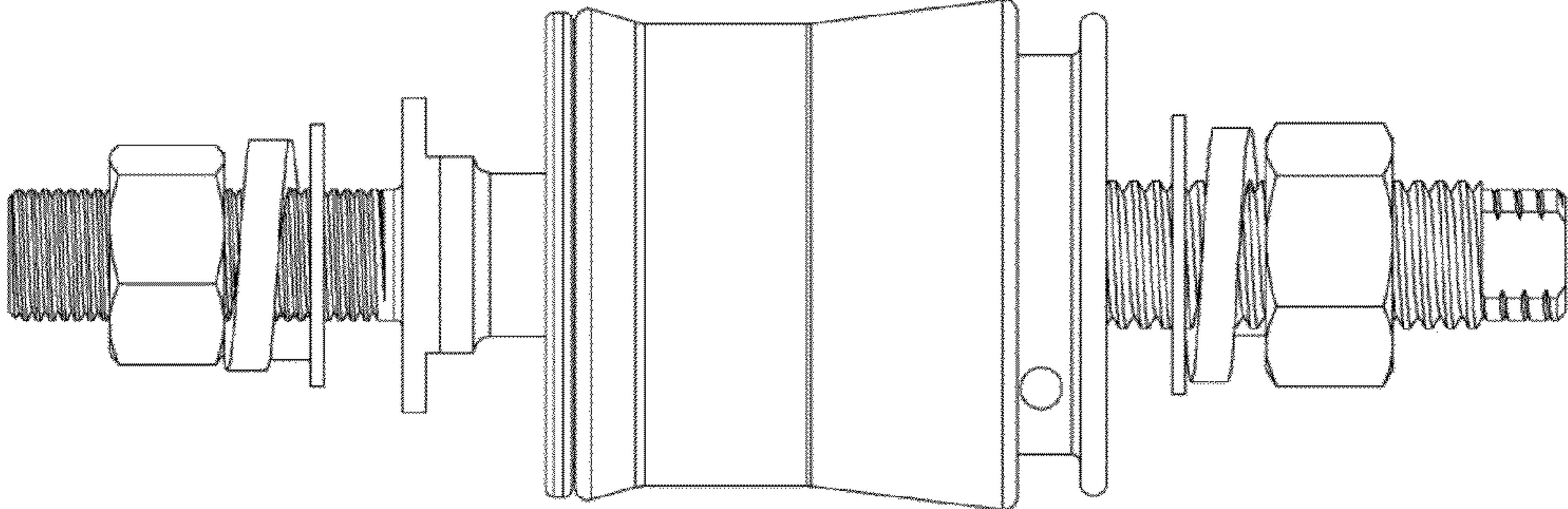


FIG. 10

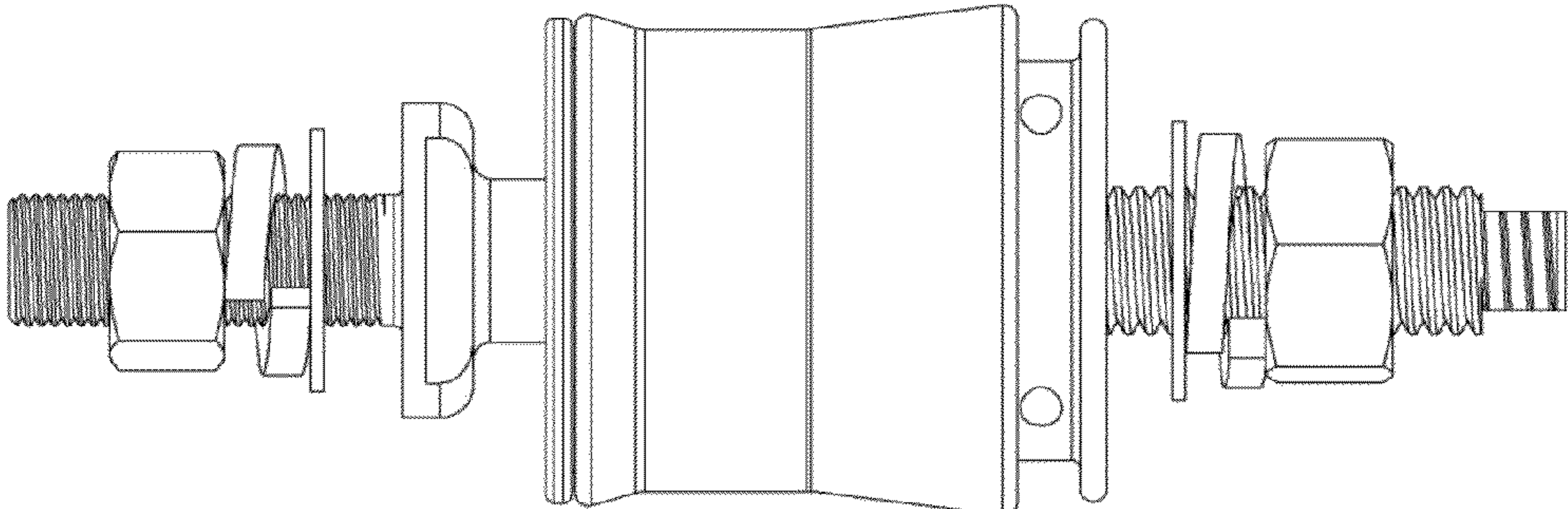


FIG. 9

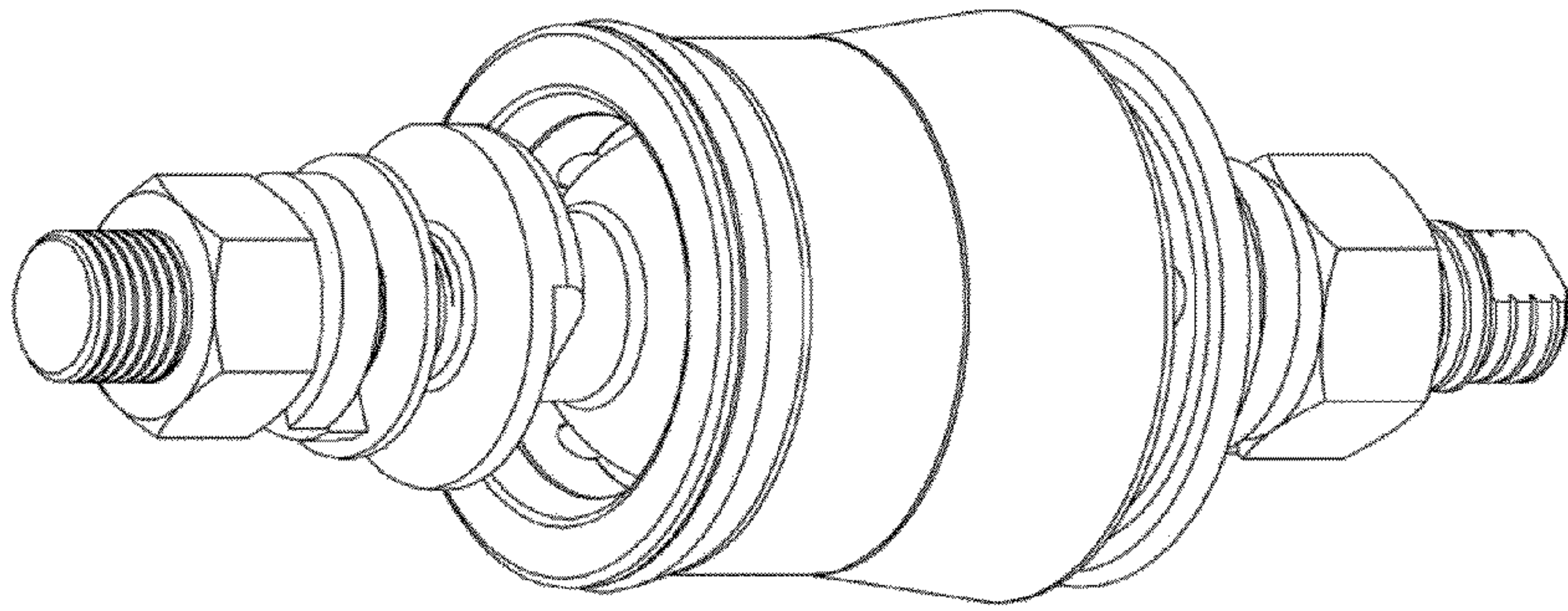


FIG. 12

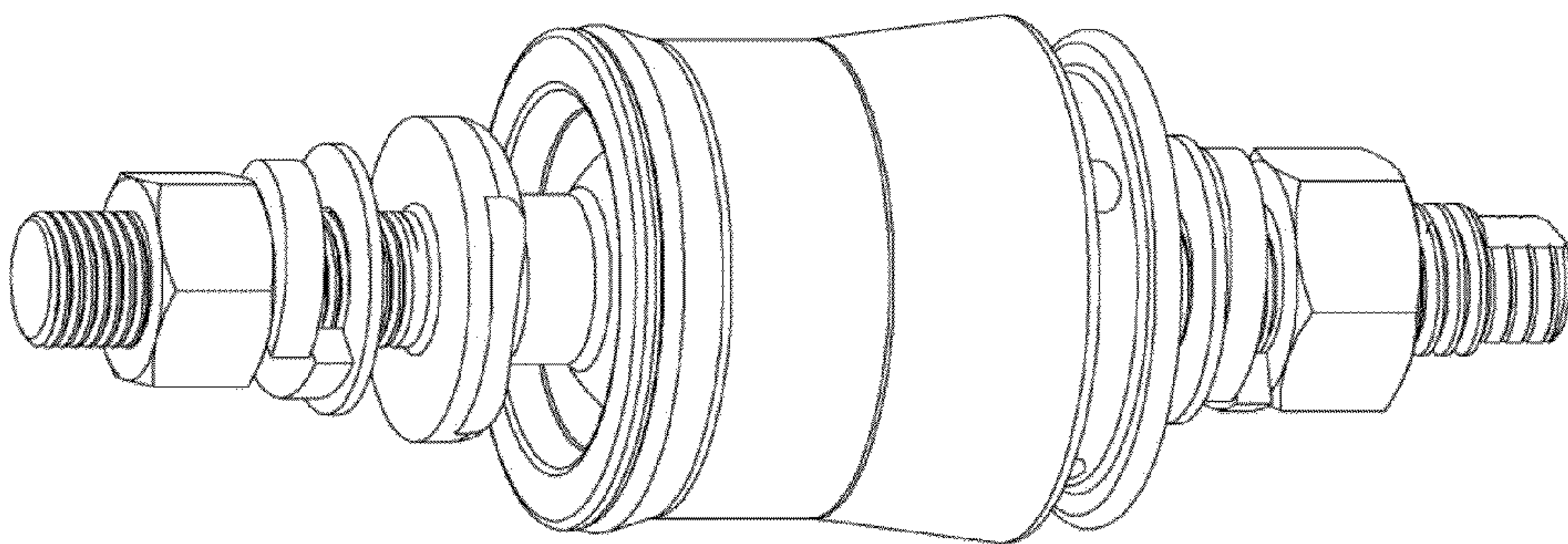


FIG. 11