

US00D696157S

(12) **United States Design Patent**
Loeb

(10) **Patent No.:** **US D696,157 S**
(45) **Date of Patent:** **** Dec. 24, 2013**

- (54) **MOTOR CAR**
- (71) Applicant: **GM Global Technology Operations LLC, Detroit, MI (US)**
- (72) Inventor: **Niels Loeb, Wiesbaden (DE)**
- (73) Assignee: **GM Global Technology Operations LLC, Detroit, MI (US)**

D611,387 S	3/2010	Thompson et al.
D613,645 S	4/2010	Song et al.
D615,458 S	5/2010	Thompson et al.
D627,262 S	11/2010	Ikeda et al.
D635,488 S	4/2011	Phipps
D644,147 S	8/2011	Suh et al.
7,988,453 B2 *	8/2011	Loo et al. 439/34
D644,567 S	9/2011	Kozub
8,011,718 B2 *	9/2011	Tsuyuzaki et al. 296/203.04
D657,716 S *	4/2012	Cartabiano et al. D12/91
D686,536 S	7/2013	McCabe et al.

(**) Term: **14 Years**

(21) Appl. No.: **29/437,463**

(22) Filed: **Nov. 16, 2012**

(30) **Foreign Application Priority Data**

May 16, 2012 (EM) 002 042 671

(51) **LOC (9) Cl.** **12-08**

(52) **U.S. Cl.**
USPC **D12/91**

(58) **Field of Classification Search**
USPC D12/86, 88, 90, 91, 92; D21/424, 433,
D21/434; 296/181.1, 181.5
See application file for complete search history.

(56) **References Cited**

U.S. PATENT DOCUMENTS

D490,019 S *	5/2004	Sakae	D12/91
D504,087 S *	4/2005	Hakamata et al.	D12/91
D504,639 S *	5/2005	Oishi et al.	D12/91
D532,337 S *	11/2006	Hakamata et al.	D12/91
D540,214 S *	4/2007	Nakai et al.	D12/91
D551,119 S *	9/2007	Okamoto	D12/91
D563,275 S *	3/2008	Kim et al.	D12/91
D567,713 S *	4/2008	Ohishi et al.	D12/91
D568,210 S *	5/2008	Ohishi et al.	D12/91
D572,628 S *	7/2008	Nakajima	D12/90
D592,105 S	5/2009	Dean et al.		
D597,447 S	8/2009	Folden		
D605,083 S	12/2009	Manoogian, II et al.		
D605,978 S	12/2009	Wolff et al.		
D608,690 S	1/2010	Folden et al.		
D608,691 S	1/2010	Zak, Jr. et al.		
D609,608 S	2/2010	Boniface et al.		

OTHER PUBLICATIONS

2013 Chevy Spark. eBrochure [online]. Sep. 24, 2012 [retrieved on Jul. 30, 2013]. Retrieved from the Internet: <URL: http://www.chevrolet.com/content/dam/Chevrolet/northamerica/usa/nscwebsite/en/Home/Help%20Center/Download%20a%20Brochure/02_PDFs/MY13%20Spark%20eBrochure_092412.pdf>.*
Design U.S. Appl. No. 29/428,494, filed Jul. 28, 2012; First Named Inventor: Mono Ikeda; Title: Vehicle Body Exterior.
Design U.S. Appl. No. 29/435,107, filed Oct. 19, 2012; First Named Inventor: John H. Ware; Title: Vehicle Body Exterior.
Design U.S. Appl. No. 29/435,113, filed Oct. 19, 2012; First Named Inventor: John H. Ware; Title: Vehicle Body Exterior.

* cited by examiner

Primary Examiner — Philip S Hyder

Assistant Examiner — Darlington Ly

(74) *Attorney, Agent, or Firm* — Reising Ethington PC

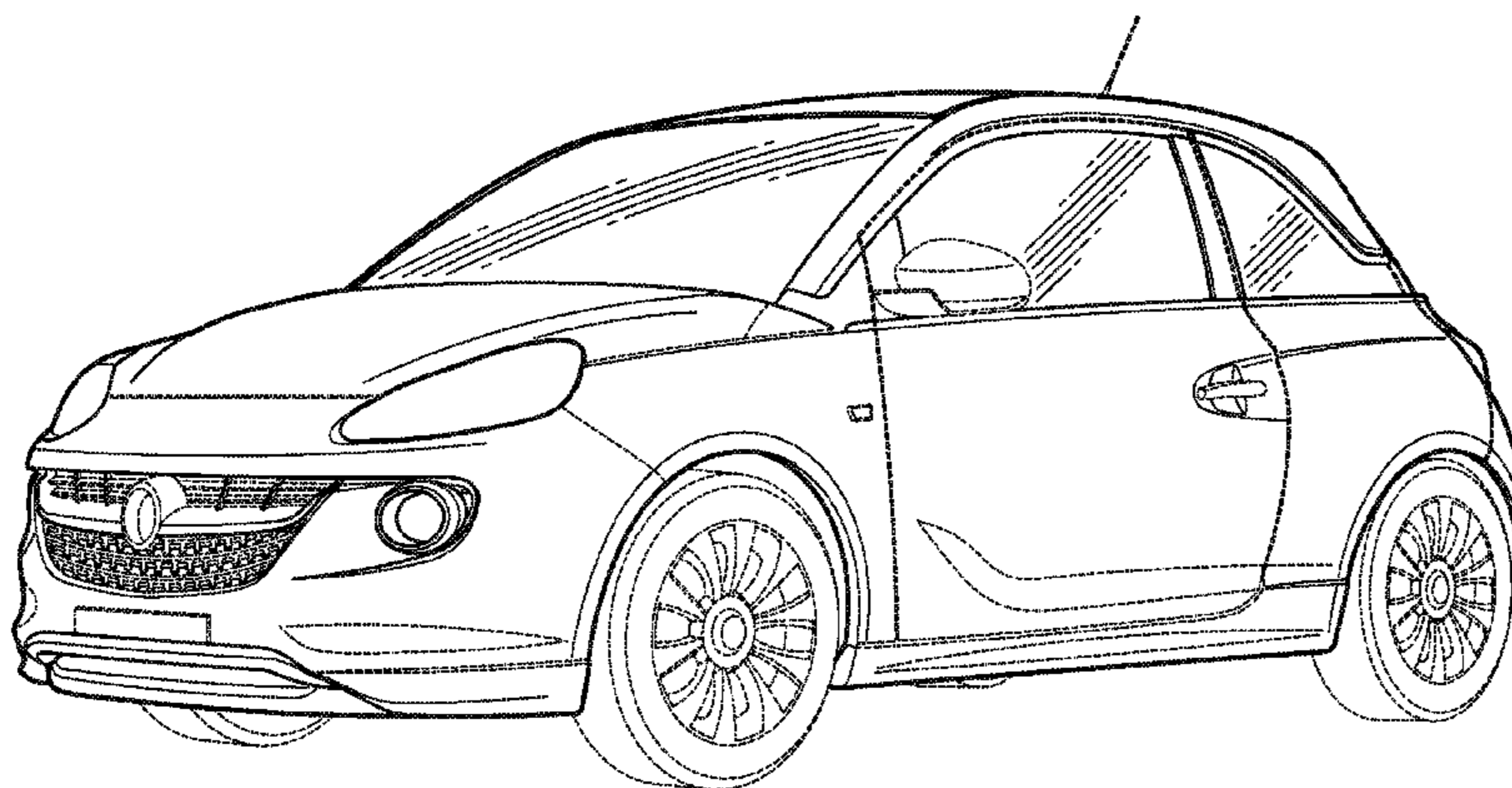
(57) **CLAIM**

The ornamental design for a motor car, as shown and described.

DESCRIPTION

FIG. 1 is a front and left side perspective view of the motor car;
FIG. 2 is a rear and right side perspective view thereof;
FIG. 3 is a front elevation view thereof;
FIG. 4 is a left side elevation view thereof;
FIG. 5 is a rear elevation view thereof;
FIG. 6 is a right side elevation view thereof; and,
FIG. 7 is a top plan view thereof.
In the drawings, the portions shown by broken lines form no part of the claimed design.

1 Claim, 6 Drawing Sheets



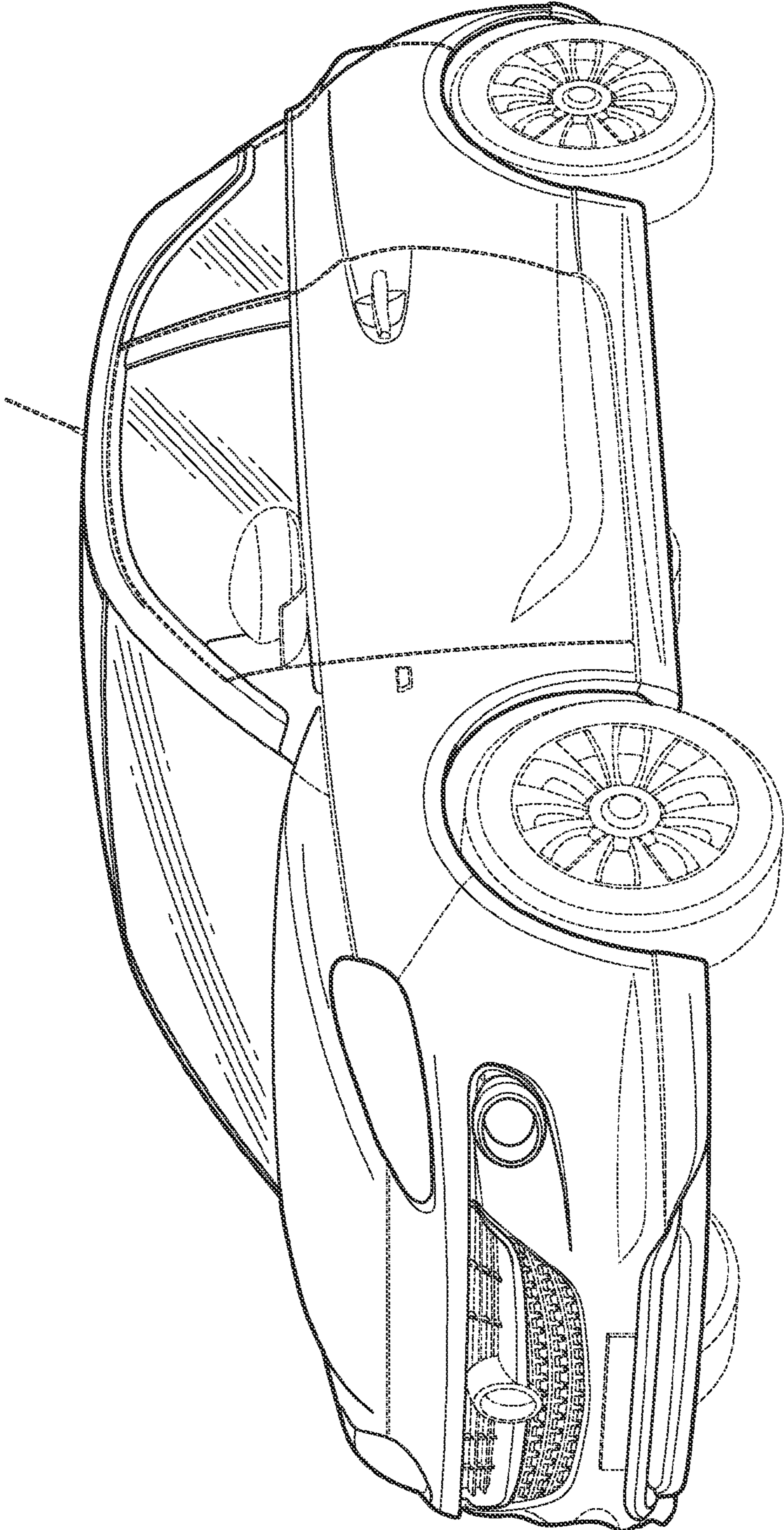


FIG. 1

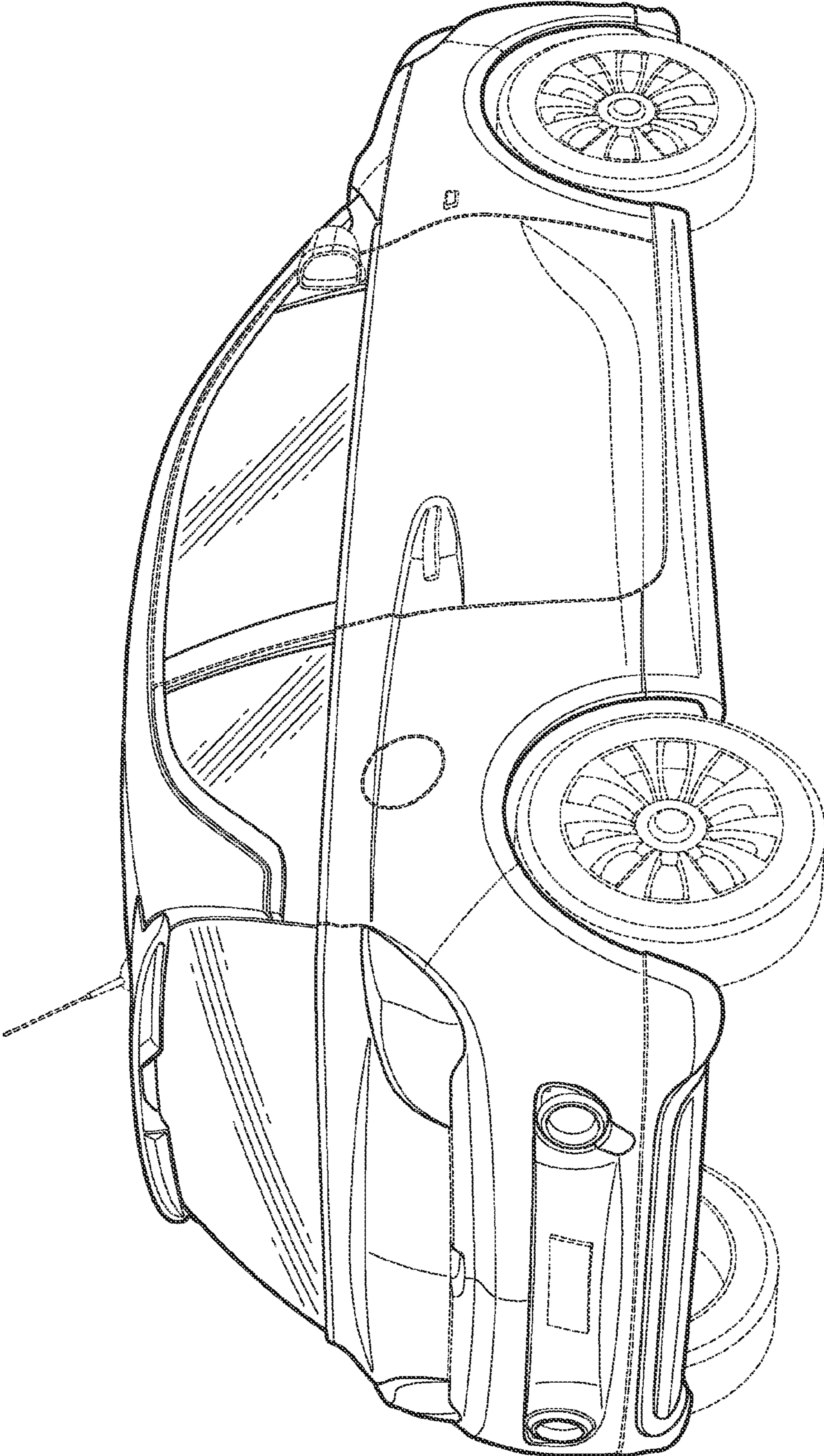


FIG. 2

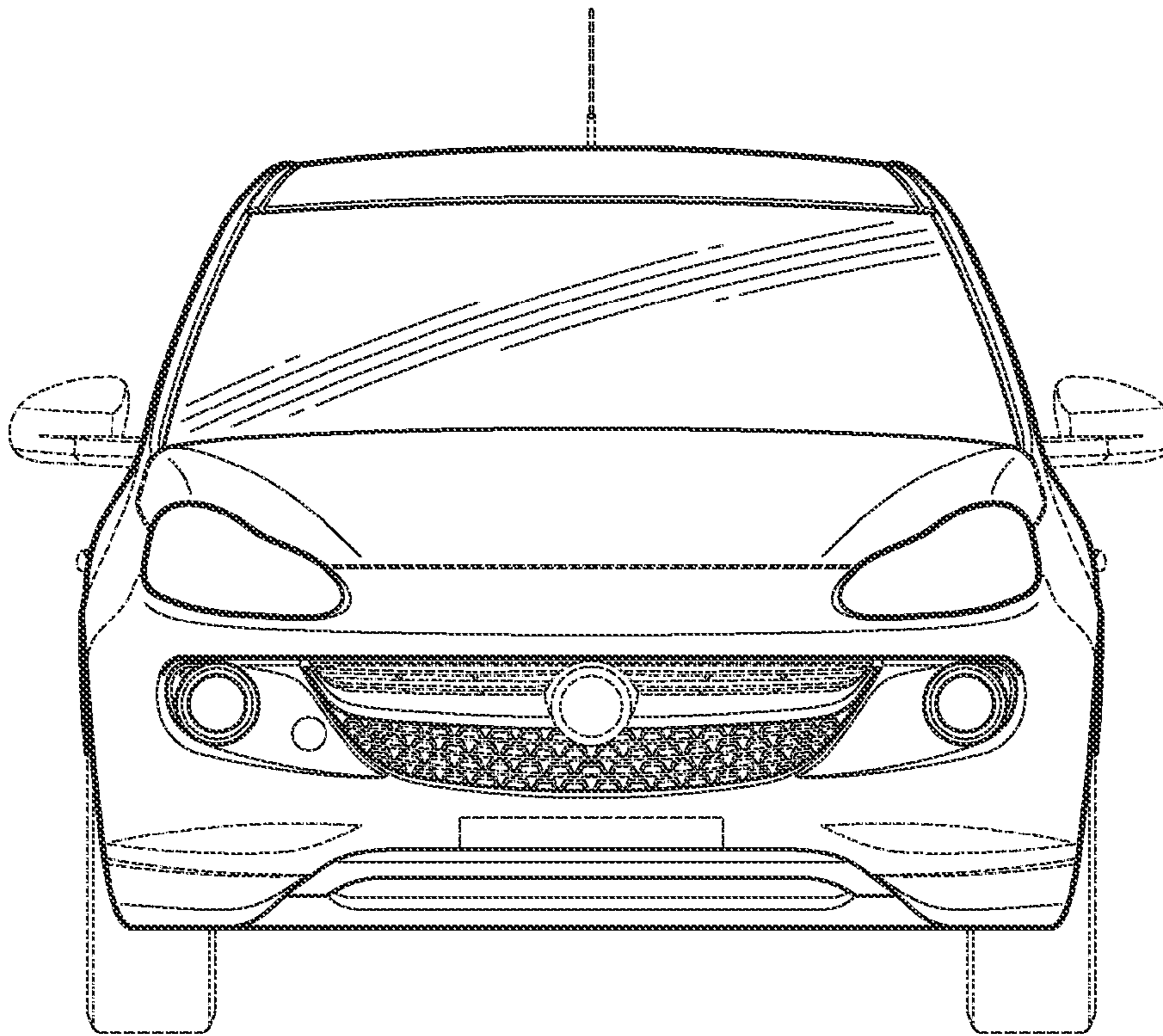


FIG. 3

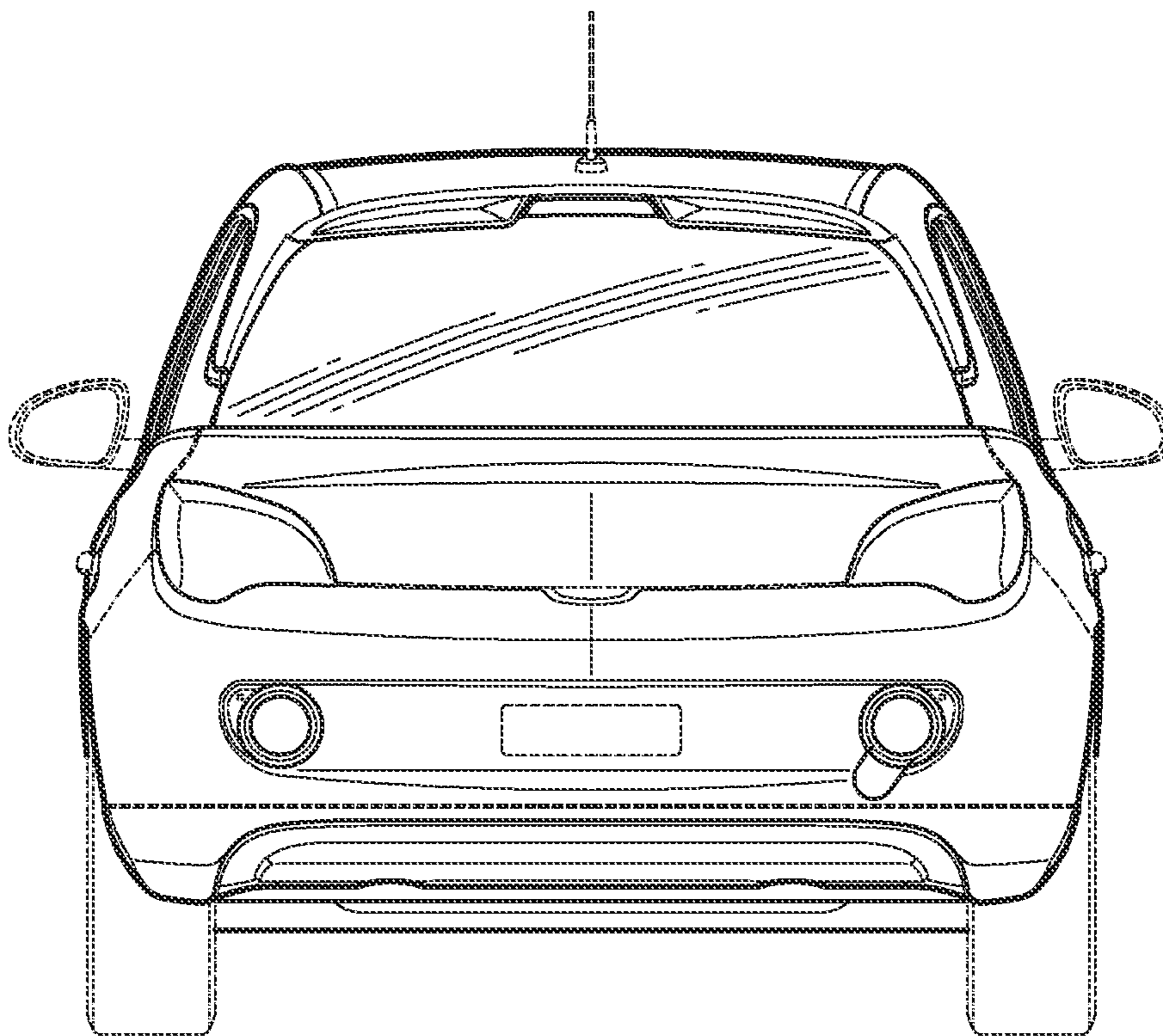


FIG. 5

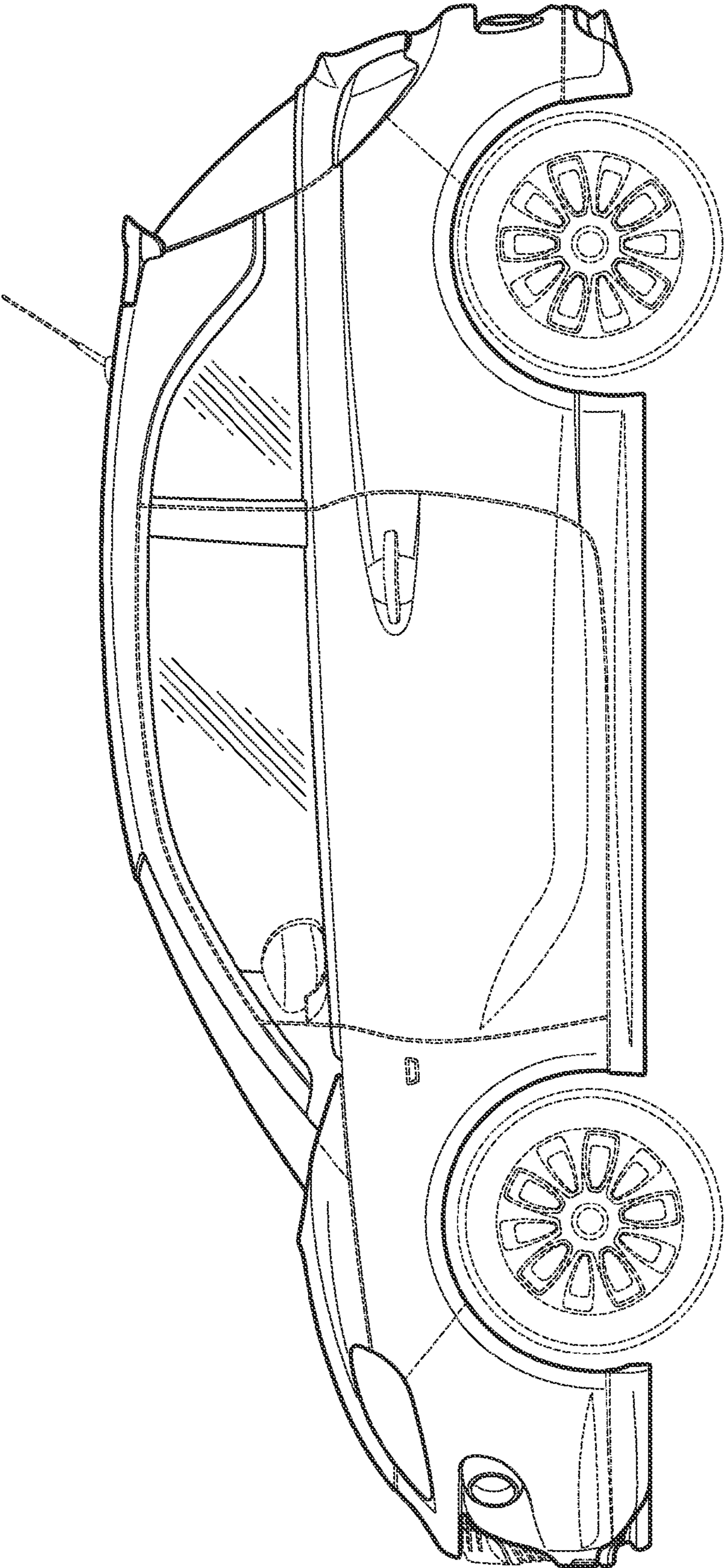


FIG. 4

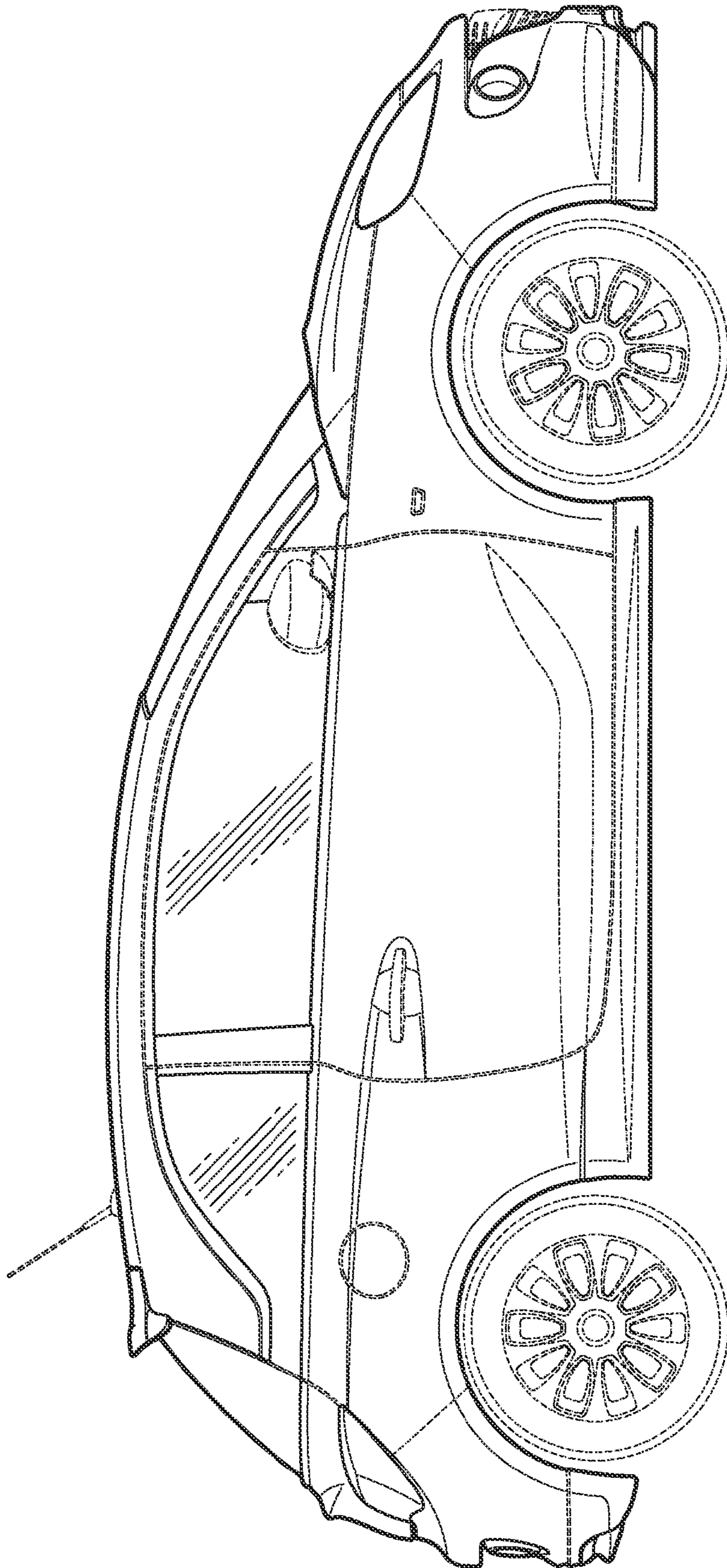


FIG. 6

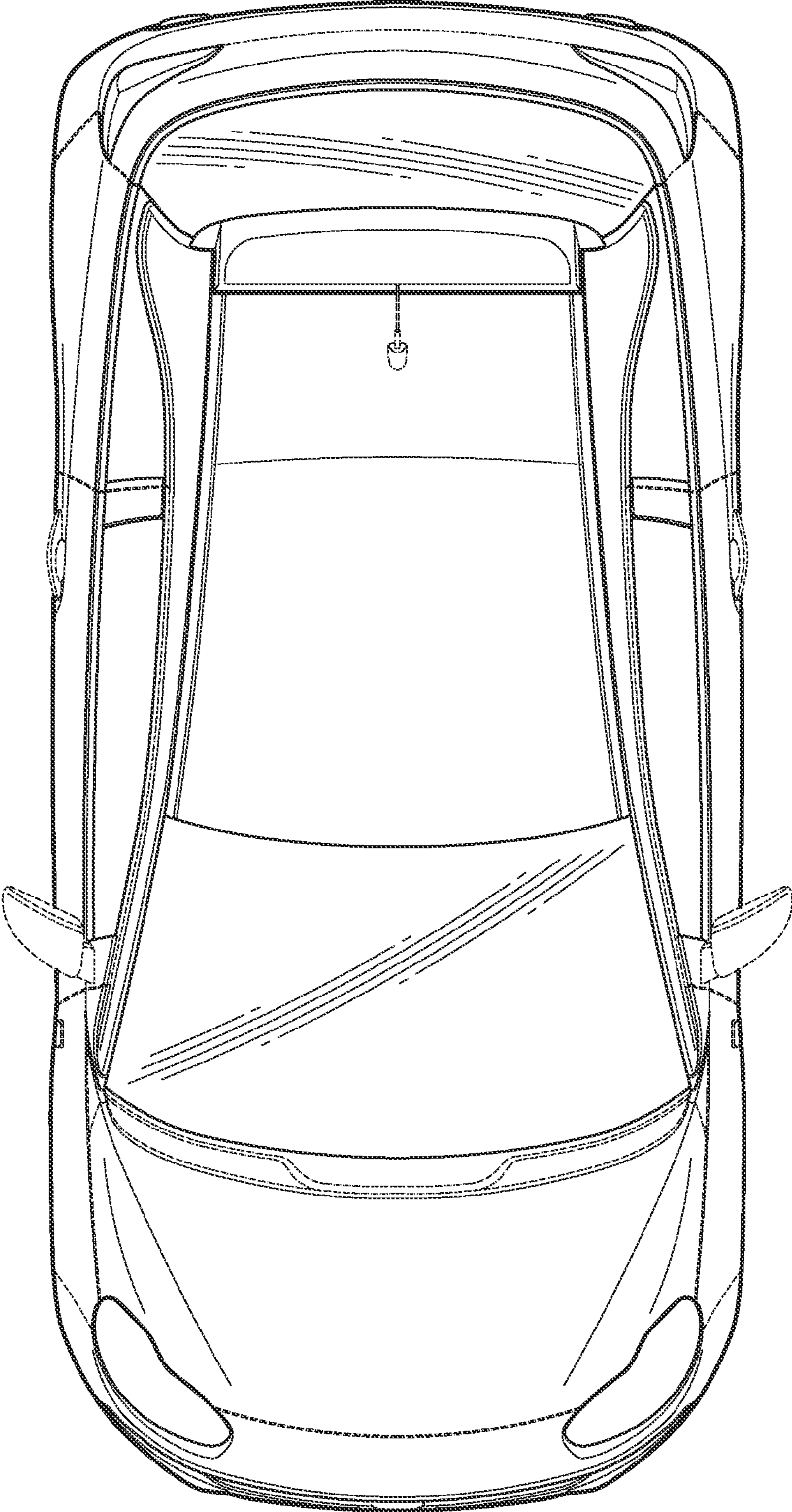


FIG. 7