

US00D696155S

(12) **United States Design Patent**  
**Coratola et al.**

(10) **Patent No.:** **US D696,155 S**

(45) **Date of Patent:** **\*\* Dec. 24, 2013**

(54) **ASSEMBLY FOR EXERTING A FORCE ON A ZIPPER**

(56)

**References Cited**

U.S. PATENT DOCUMENTS

(71) Applicant: **Zip Me Up Products, LLC**, Dublin, OH (US)

D654,822	S	*	2/2012	Greppi	.....	D11/86
D658,532	S	*	5/2012	Papadimitriou	.....	D11/79
D659,046	S	*	5/2012	Papadimitriou	.....	D11/79
D659,047	S	*	5/2012	Papadimitriou	.....	D11/79
D660,745	S	*	5/2012	Papadimitriou	.....	D11/43
D676,349	S	*	2/2013	Papadimitriou	.....	D11/43
D676,781	S	*	2/2013	Papadimitriou	.....	D11/79
D684,085	S	*	6/2013	Papadimitriou	.....	D11/42

(72) Inventors: **Terri A. Coratola**, Dublin, OH (US);  
**Michelle C. Lucero**, Dublin, OH (US)

(73) Assignee: **Zip Me Up Products, LLC**, Dublin, OH (US)

\* cited by examiner

*Primary Examiner* — Ralf Seifert

(\*\*) Term: **14 Years**

(74) *Attorney, Agent, or Firm* — Standley Law Group LLP

(21) Appl. No.: **29/457,444**

(57) **CLAIM**

The ornamental design for an assembly for exerting a force on a zipper, as shown and described above.

(22) Filed: **Jun. 10, 2013**

**DESCRIPTION**

(51) **LOC (9) Cl.** ..... **02-07**

FIG. 1 is a top perspective view of an embodiment of an assembly for exerting a force on a zipper showing our new design;

(52) **U.S. Cl.**

USPC ..... **D11/221**

FIG. 2 is a top view of the FIG. 1 device;

(58) **Field of Classification Search**

USPC ..... D11/200, 201, 221, 1, 40, 43, 79, 80;  
24/381–383, 385–387, 414–417,  
24/421–422, 427–431, 433; 2/265

FIG. 3 is a front view of the FIG. 1 device,

FIG. 4 is a left side view of the FIG. 1 device;

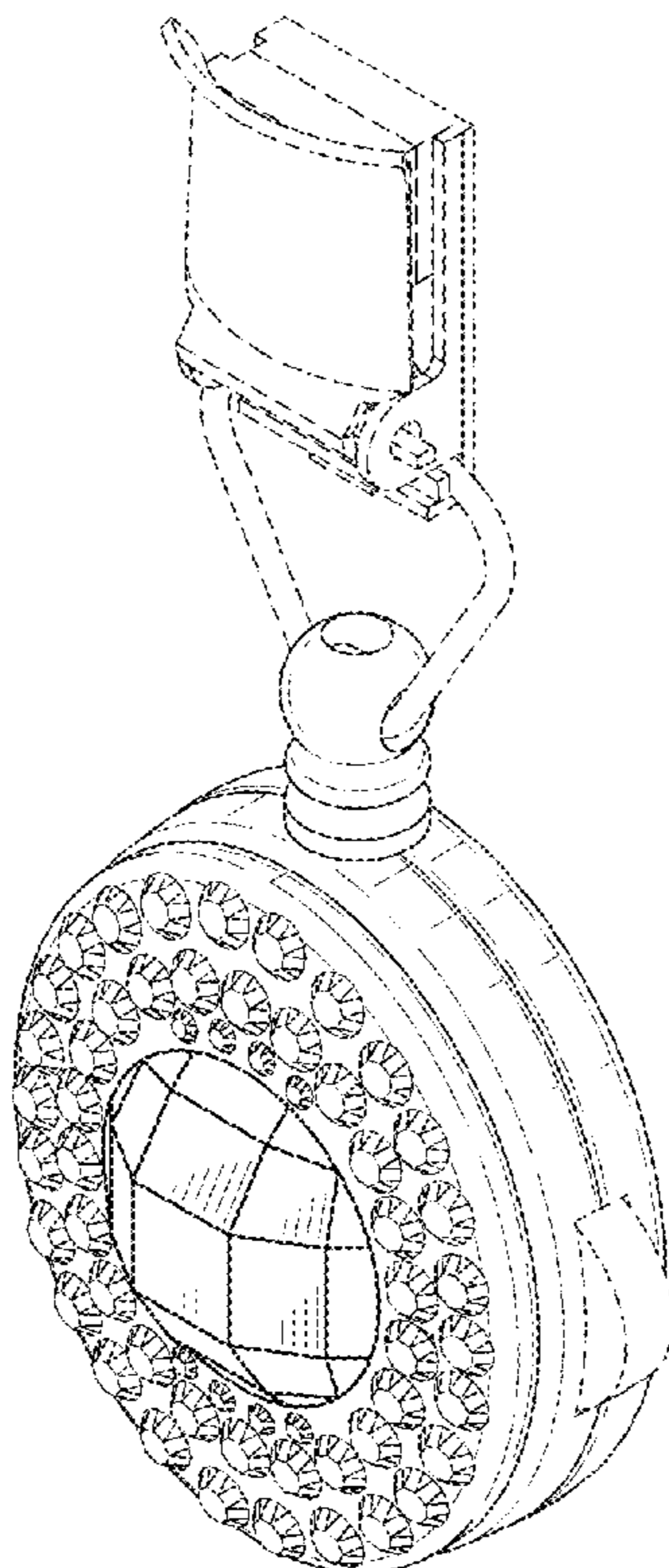
FIG. 5 is a back view of the FIG. 1 device;

FIG. 6 is a right side view of the FIG. 1 device; and,

FIG. 7 is a bottom view of the FIG. 1 device.

See application file for complete search history.

**1 Claim, 3 Drawing Sheets**



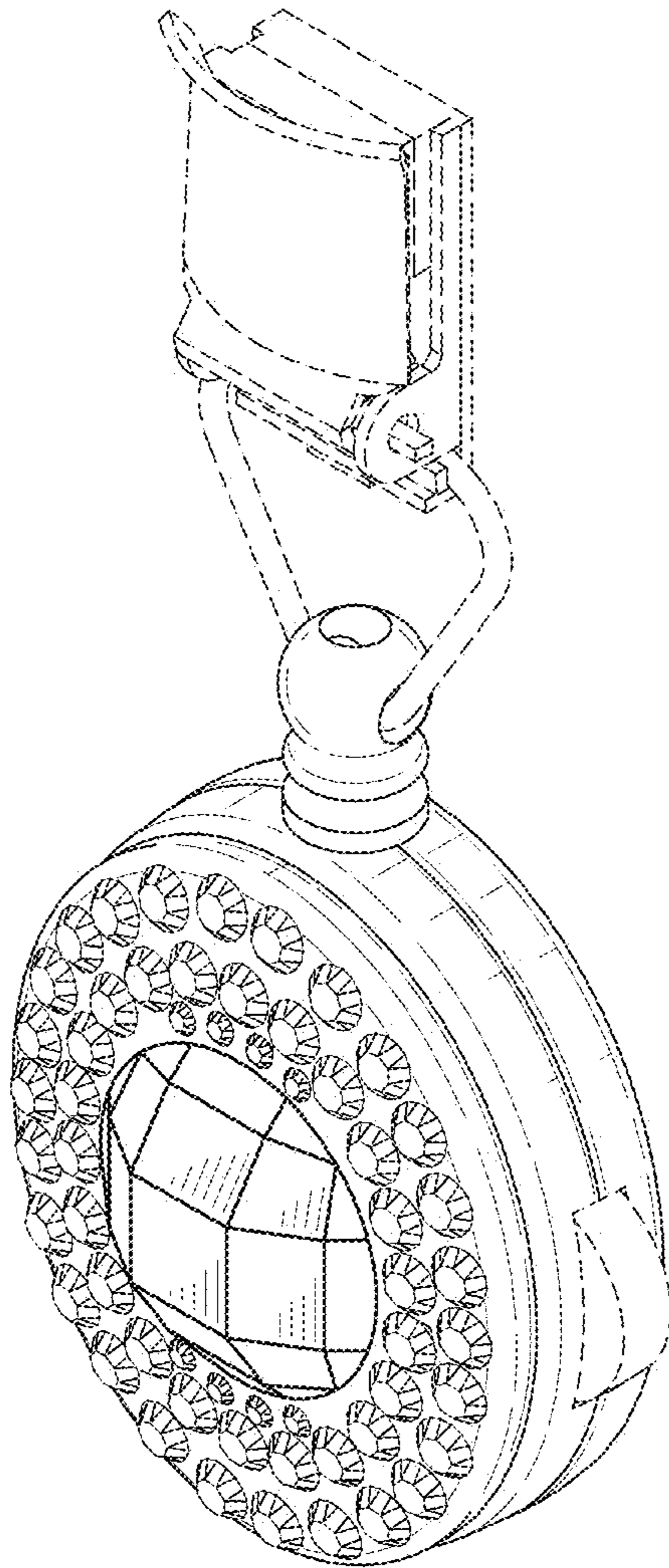


FIG-1

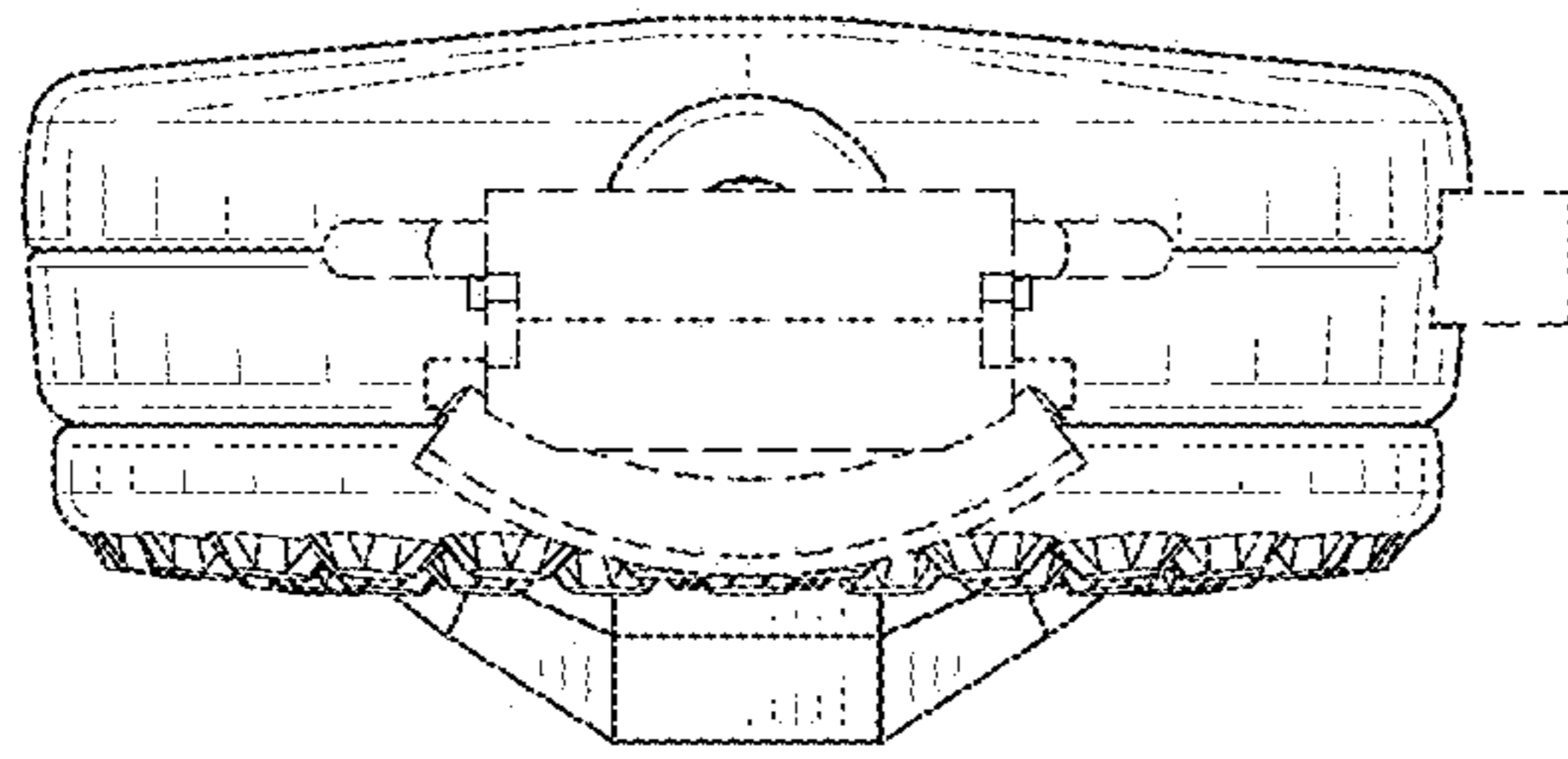


FIG-2

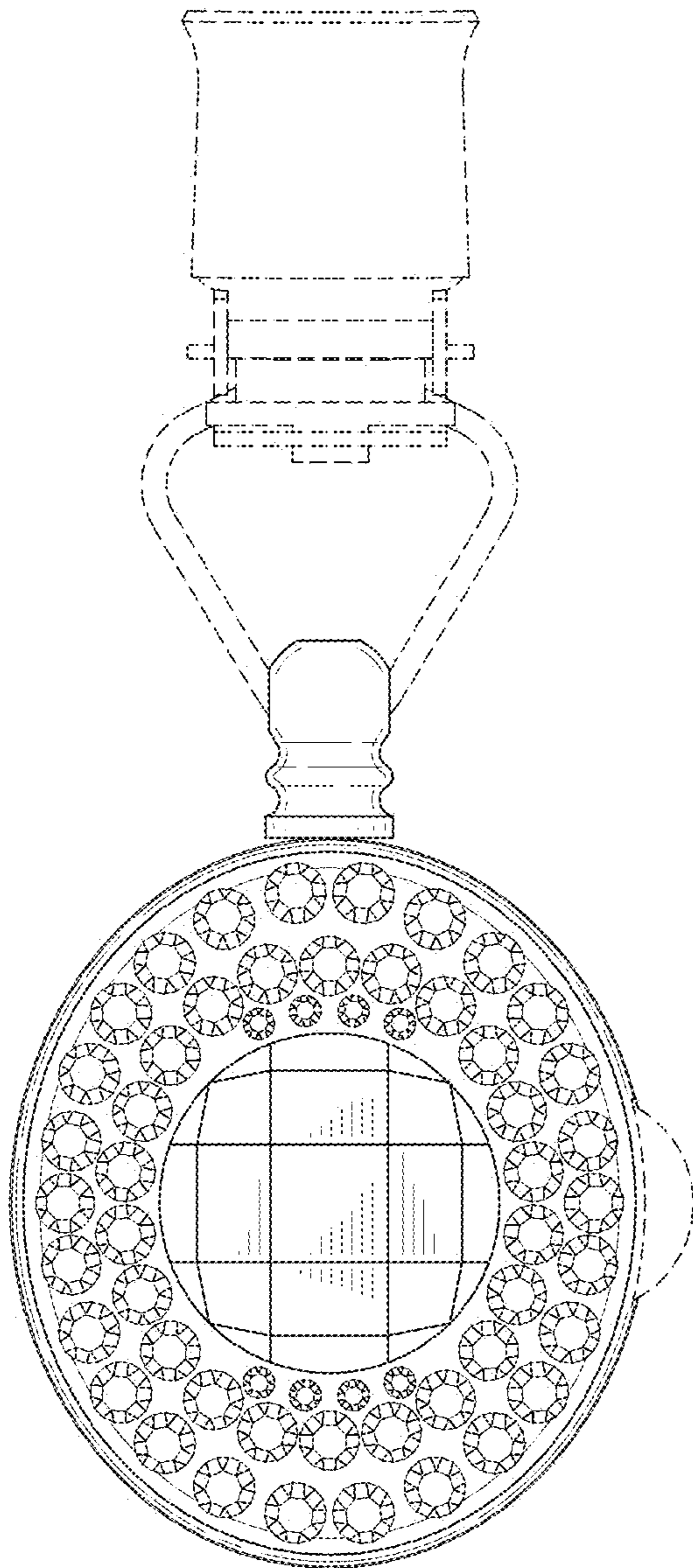


FIG-3

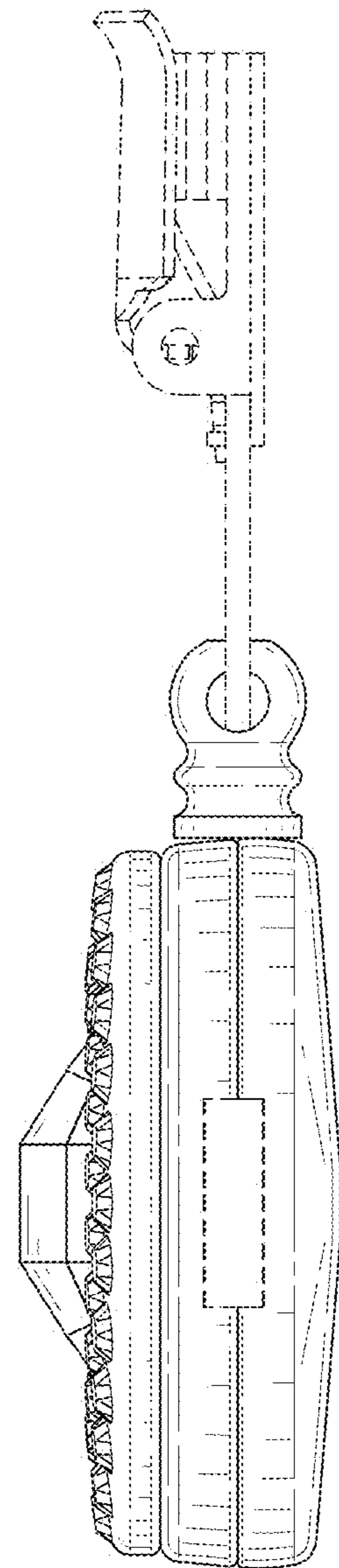


FIG-4

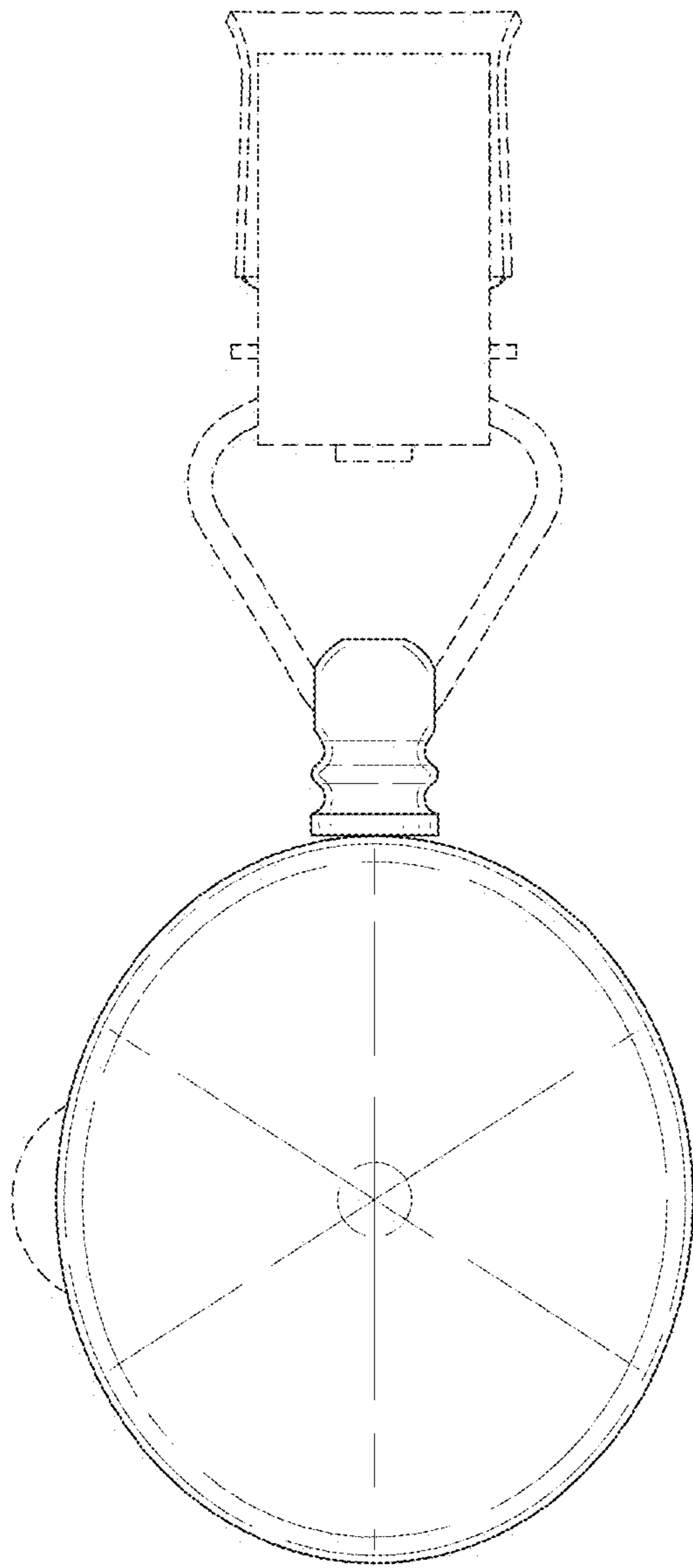


FIG-5

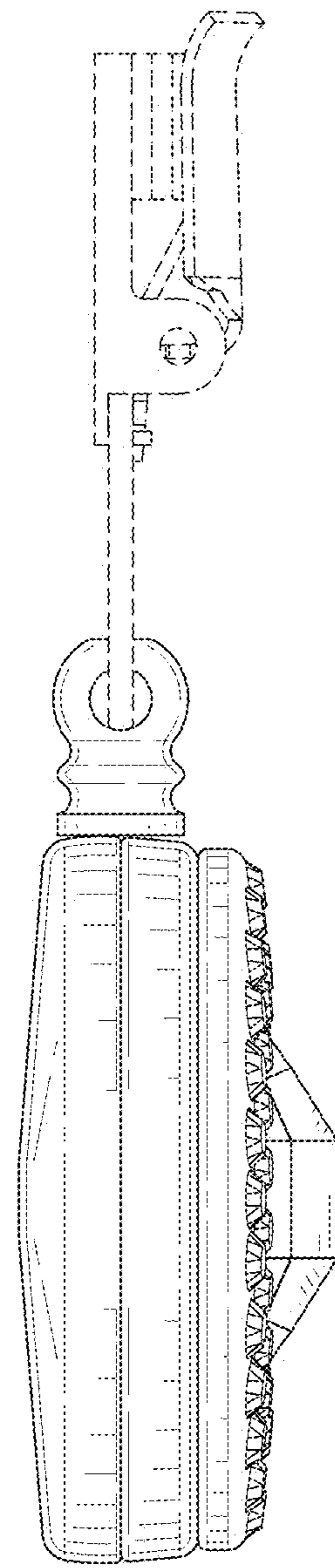


FIG-6

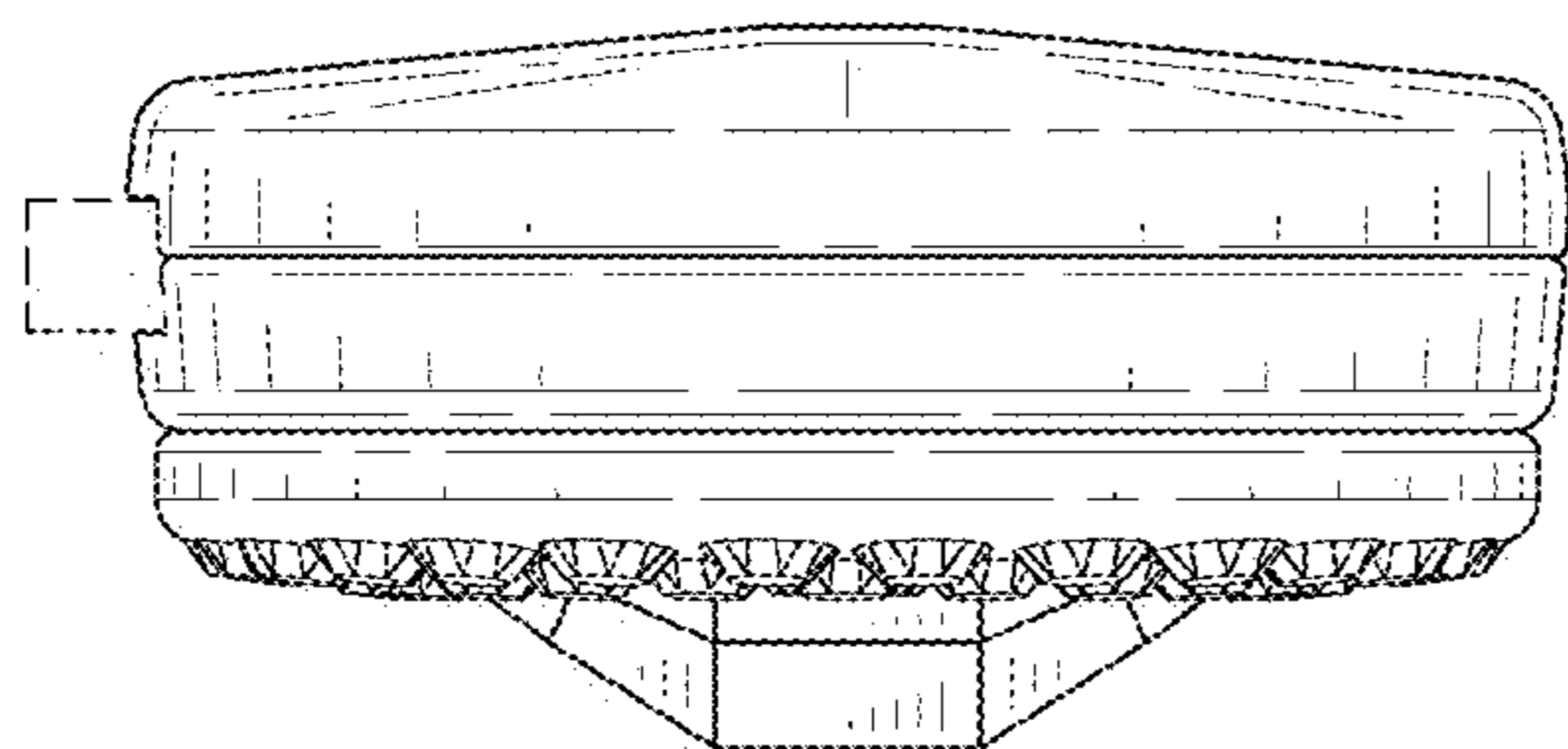


FIG-7