



US00D696149S

(12) **United States Design Patent**  
**McCracken**

(10) **Patent No.:** **US D696,149 S**

(45) **Date of Patent:** **\*\* Dec. 24, 2013**

(54) **TORQUE TESTER MOUNT**

(75) Inventor: **Adam W. McCracken**, Las Vegas, NV (US)

(73) Assignee: **JS Products, Inc.**, Las Vegas, NV (US)

(\*\*) Term: **14 Years**

(21) Appl. No.: **29/426,397**

(22) Filed: **Jul. 5, 2012**

(51) **LOC (9) Cl.** ..... **10-04**

(52) **U.S. Cl.**  
USPC ..... **D10/103**

(58) **Field of Classification Search**

USPC ..... D10/103, 83; 73/862.21, 862.23, 866.5, 73/432.1, 431, 864.91, 756, 1.09, 487, 73/116.05, 273, 847, 848, 855-860, 73/116.01-116.11, 862.191-862.195

See application file for complete search history.

(56) **References Cited**

**U.S. PATENT DOCUMENTS**

2,503,649	A	4/1950	Zimmerman	
D195,645	S	7/1963	Able	
D204,560	S	4/1966	Merl	
3,372,611	A	3/1968	Amanti et al.	
D265,297	S *	7/1982	Eisen	D10/70
D313,948	S	1/1991	McDevitt	
D322,041	S	12/1991	Jenkins	
5,703,277	A *	12/1997	Grabovac	73/862.23
8,316,720	B2	11/2012	Huang et al.	
8,381,568	B2	2/2013	Chen et al.	
8,453,519	B2	6/2013	Zhang	

**OTHER PUBLICATIONS**

Digital Torque Wrench Tester, <http://www.jerrybickel.com/tools-and-equipment/digital-torque-wrench-tester.html>, 2012.

Stanley Proto J6470 1/4-Inch Drive Electronic Torque Tester, 5-50-Inch Pound, [http://www.amazon.com/gp/product/B007IC56OS/ref=pd\\_lpo\\_k2\\_dp\\_sr\\_2/185-8604217](http://www.amazon.com/gp/product/B007IC56OS/ref=pd_lpo_k2_dp_sr_2/185-8604217).

\* cited by examiner

*Primary Examiner* — Antoine D Davis

(74) *Attorney, Agent, or Firm* — Weide & Miller, Ltd.

(57) **CLAIM**

The ornamental design for a torque tester mount, as shown and described.

**DESCRIPTION**

FIG. 1 is a front perspective view of a torque tester mount in accordance with the present invention;

FIG. 2 is a top view of the torque tester mount illustrated in FIG. 1;

FIG. 3 is a front view of the torque tester mount illustrated in FIG. 1;

FIG. 4 is a first side view of the torque tester mount illustrated in FIG. 1;

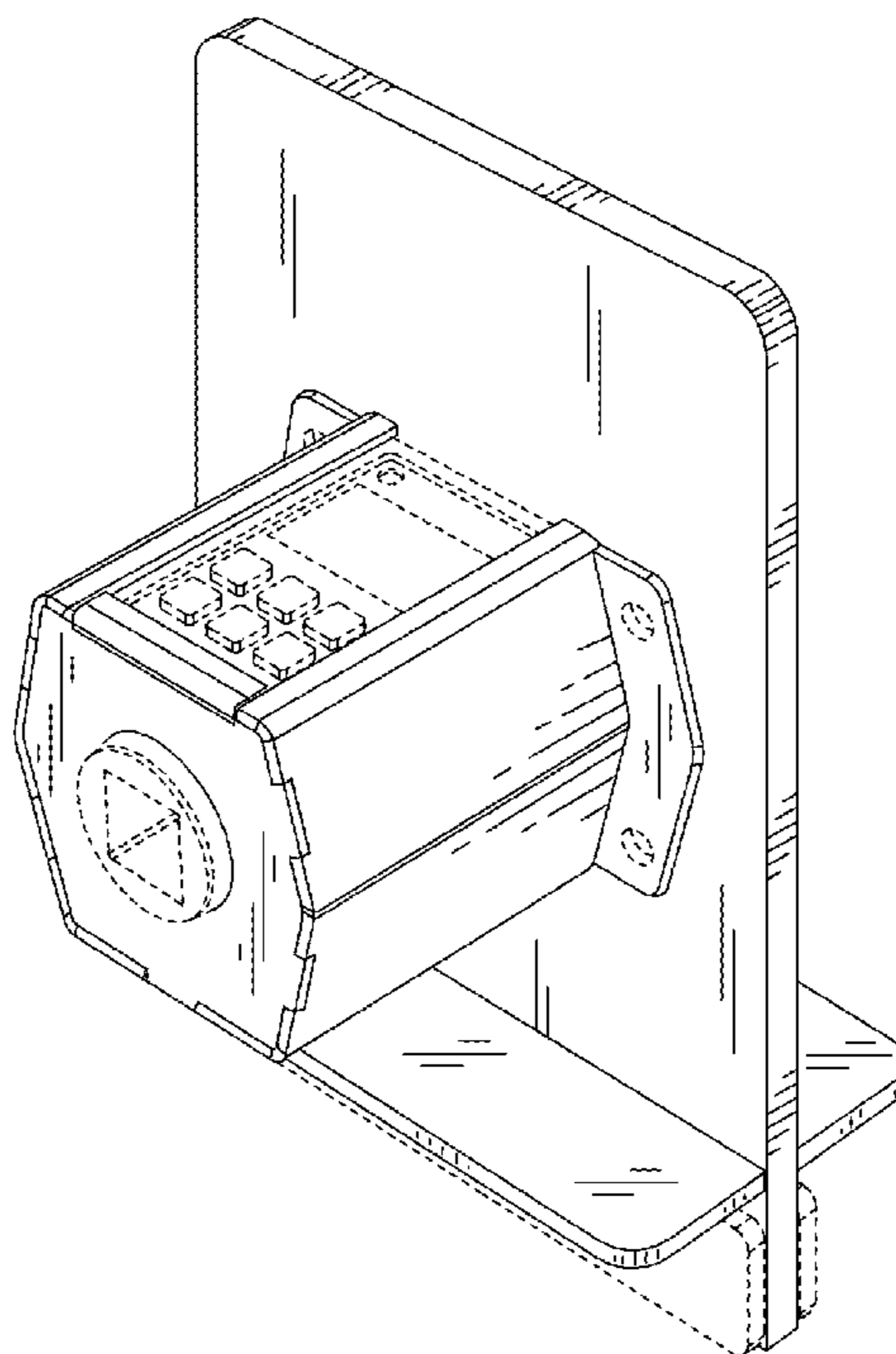
FIG. 5 is a rear view of the torque tester mount illustrated in FIG. 1;

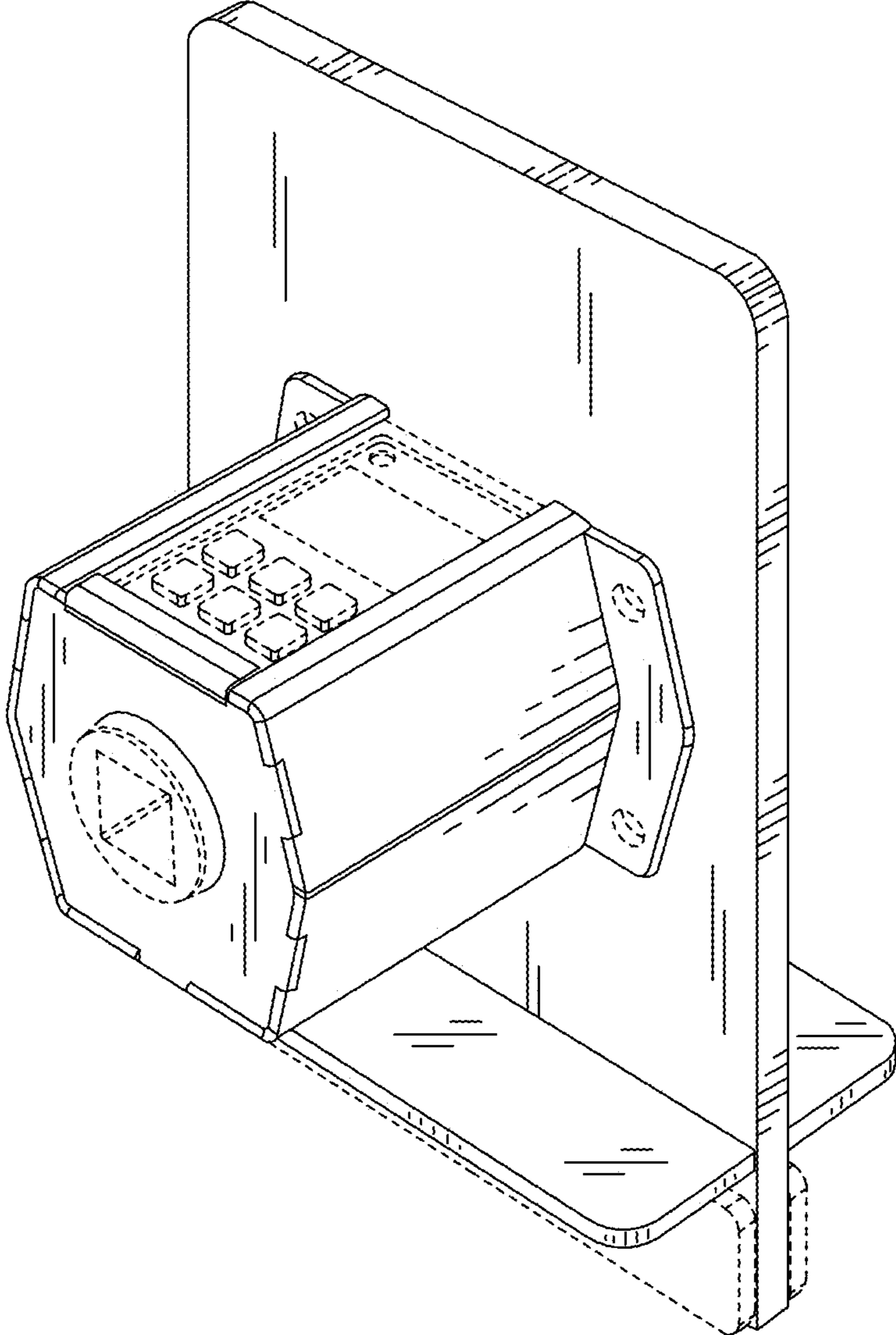
FIG. 6 is a second side view of the torque tester mount illustrated in FIG. 1; and,

FIG. 7 is a bottom view of the torque tester mount illustrated in FIG. 1.

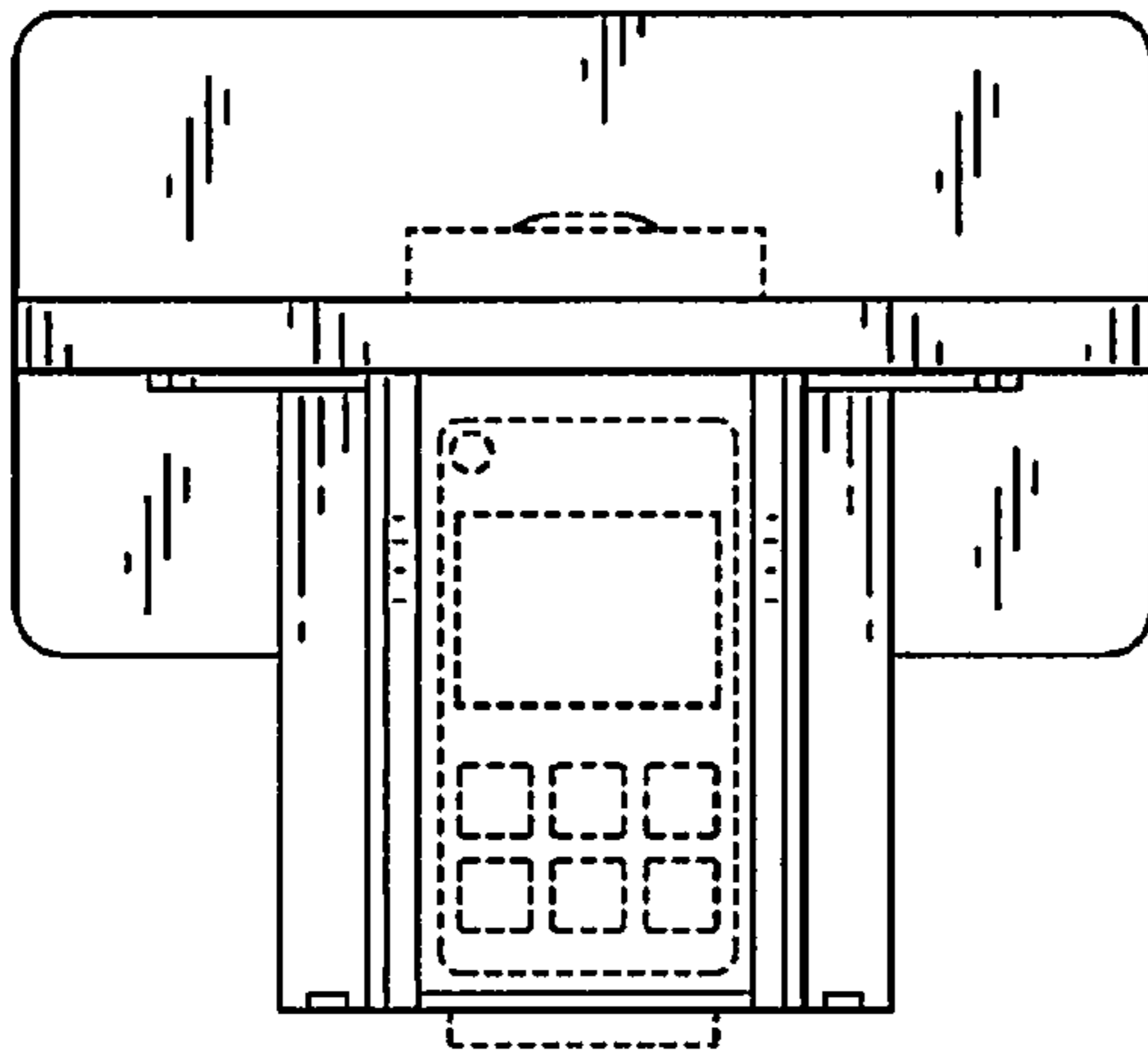
The portions of the torque tester mount shown in broken lines in the figures form no part of the claimed design.

**1 Claim, 3 Drawing Sheets**

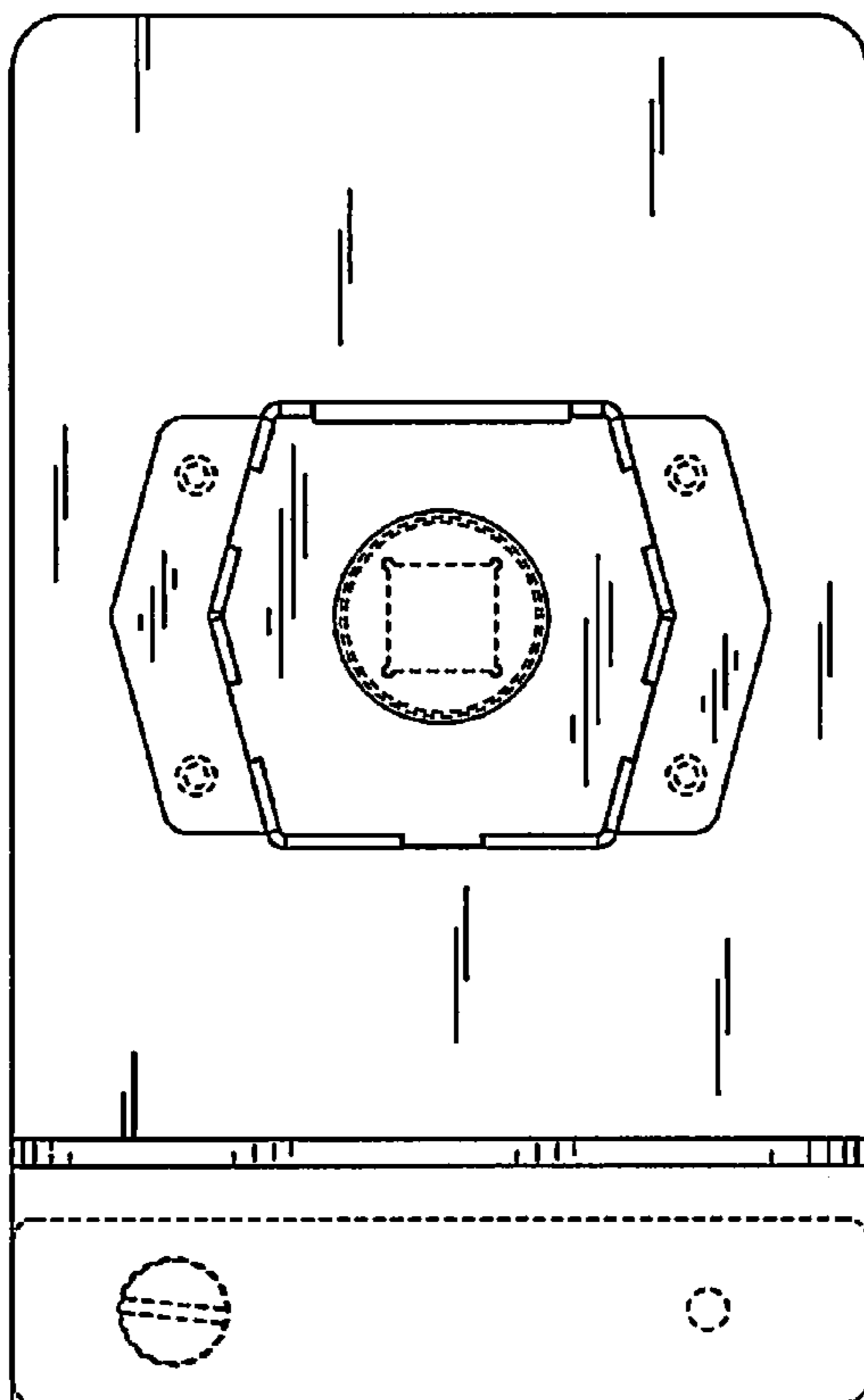




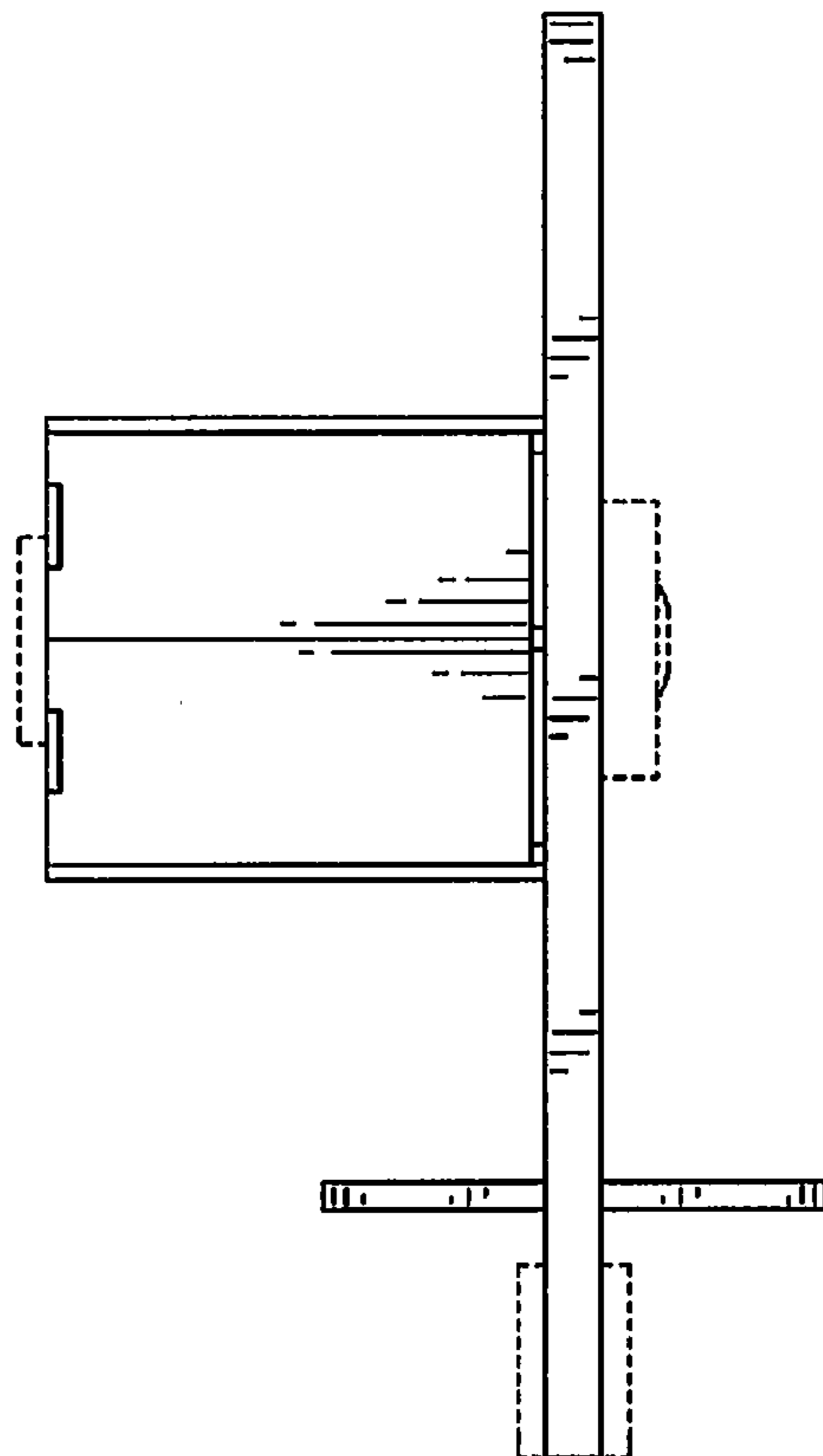
*Fig. 1*



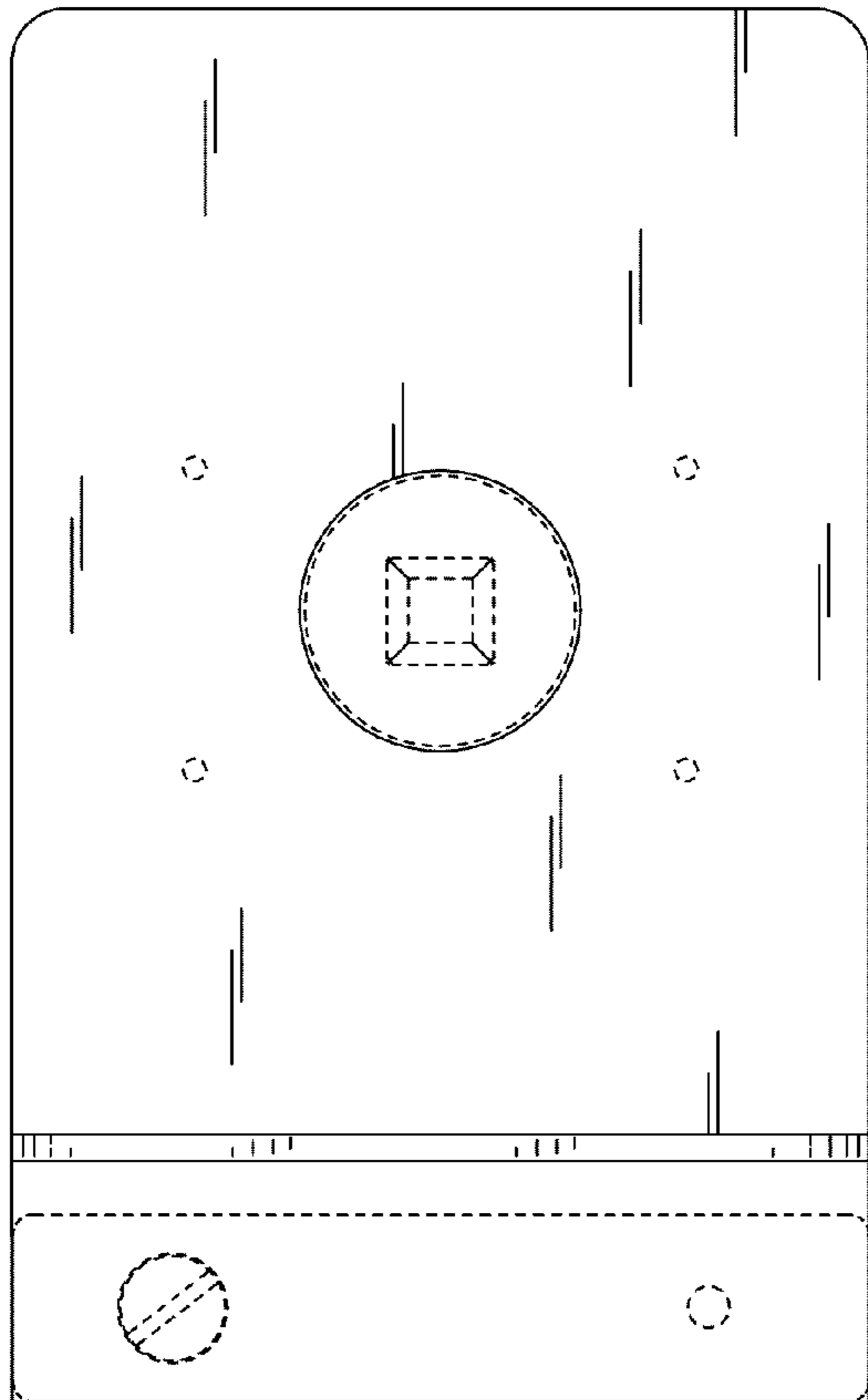
*Fig. 2*



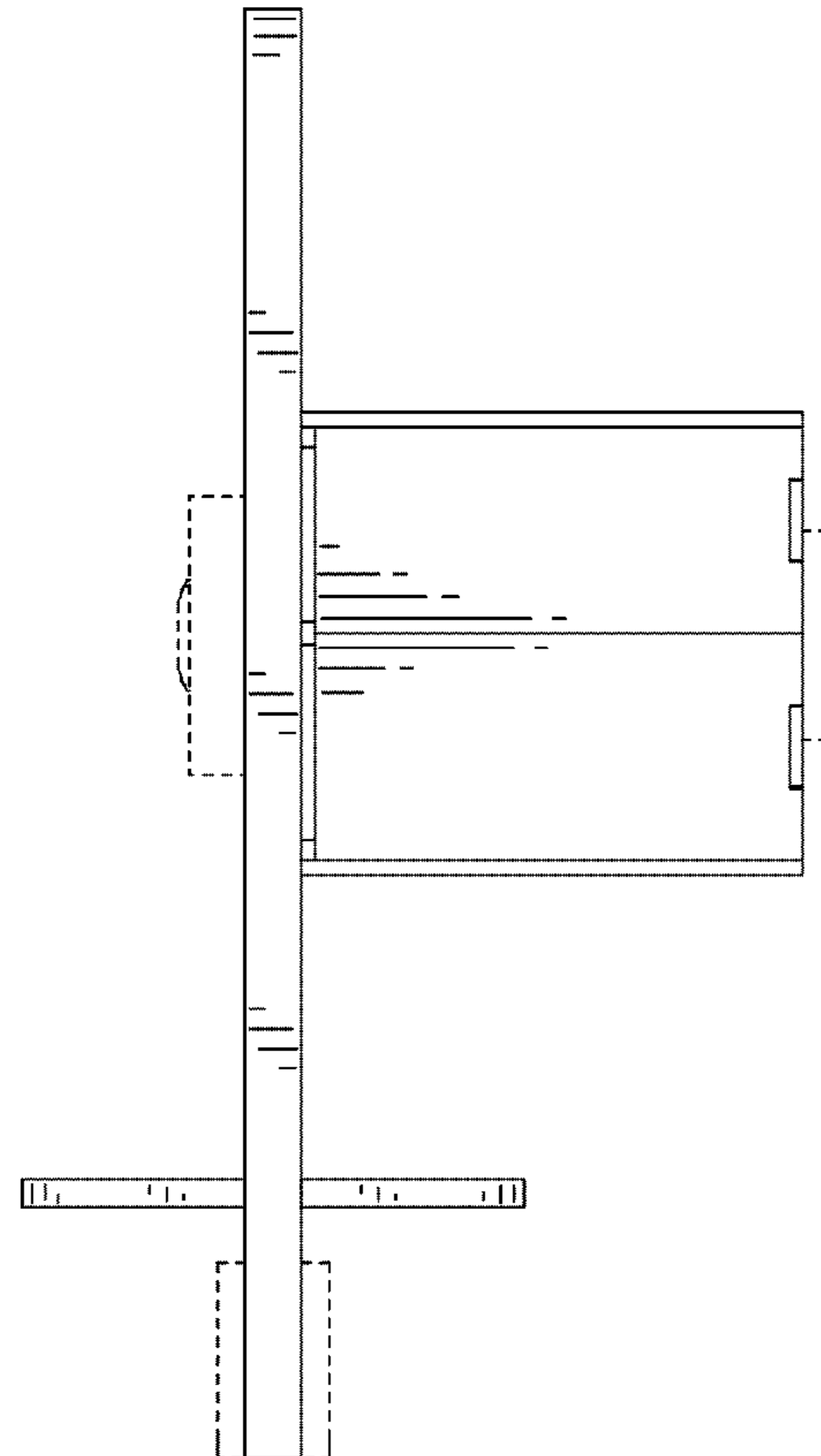
*Fig. 3*



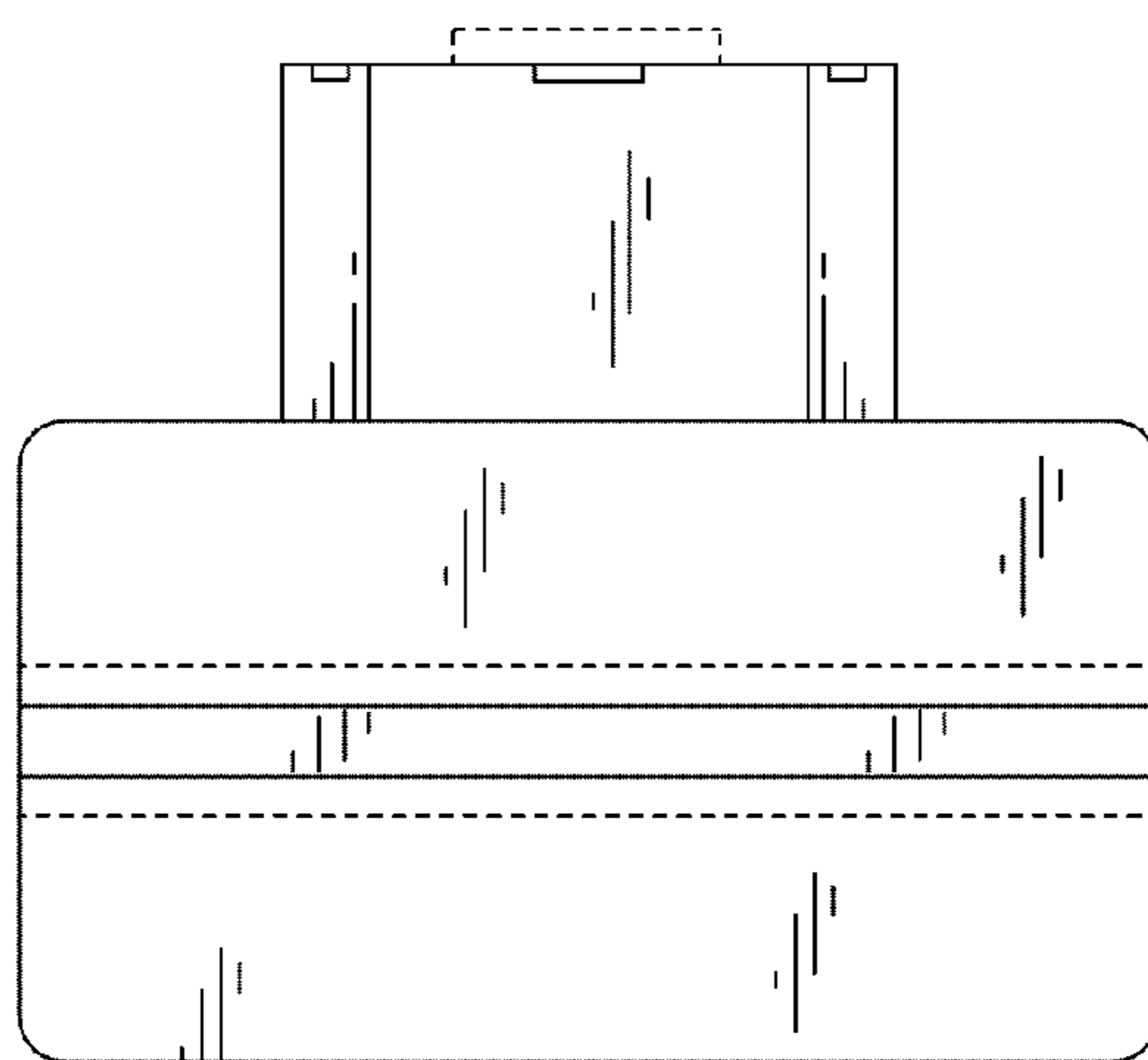
*Fig. 4*



*Fig. 5*



*Fig. 6*



*Fig. 7*