



US00D696148S

(12) **United States Design Patent**  
**Koyanagawa**

(10) **Patent No.:** **US D696,148 S**

(45) **Date of Patent:** **\*\* Dec. 24, 2013**

(54) **CURRENT SENSOR**

(71) Applicant: **Alps Green Devices Co., Ltd.**, Tokyo (JP)

(72) Inventor: **Hikomichi Koyanagawa**, Tokyo (JP)

(73) Assignee: **Alps Green Devices Co., Ltd.**, Tokyo (JP)

(\*\*) Term: **14 Years**

(21) Appl. No.: **29/433,373**

(22) Filed: **Sep. 28, 2012**

(30) **Foreign Application Priority Data**

Mar. 28, 2012 (JP) ..... 2012-007141

(51) **LOC (9) Cl.** ..... **10-04**

(52) **U.S. Cl.**  
USPC ..... **D10/78**

(58) **Field of Classification Search**

USPC ..... D10/75, 78; 324/117 H, 117 R, 96, 126,  
324/207.2, 225, 252, 750.3  
See application file for complete search history.

(56) **References Cited**

**U.S. PATENT DOCUMENTS**

D260,085 S \* 8/1981 Mitchell ..... D10/78  
D401,171 S \* 11/1998 Cattaneo ..... D10/78

D459,255 S \* 6/2002 Cochran ..... D10/78  
D489,278 S \* 5/2004 Rittmann ..... D10/78  
D494,078 S 8/2004 Vuillermoz  
6,798,190 B2 \* 9/2004 Harding et al. .... 324/142  
D506,153 S \* 6/2005 Morel ..... D10/78  
D510,881 S \* 10/2005 Morel ..... D10/78  
D607,763 S \* 1/2010 Morel ..... D10/79  
7,855,546 B2 \* 12/2010 Aratani ..... 324/117 H  
D656,426 S 3/2012 Marcoz  
D656,850 S 4/2012 Marcoz

\* cited by examiner

*Primary Examiner* — Antoine D Davis

(74) *Attorney, Agent, or Firm* — Brinks Gilson & Lione

(57) **CLAIM**

The ornamental design for a current sensor, as shown and described.

**DESCRIPTION**

FIG. 1 is a front view of a current sensor showing my new design;

FIG. 2 is a rear view thereof;

FIG. 3 is a right side view thereof;

FIG. 4 is a left side view thereof;

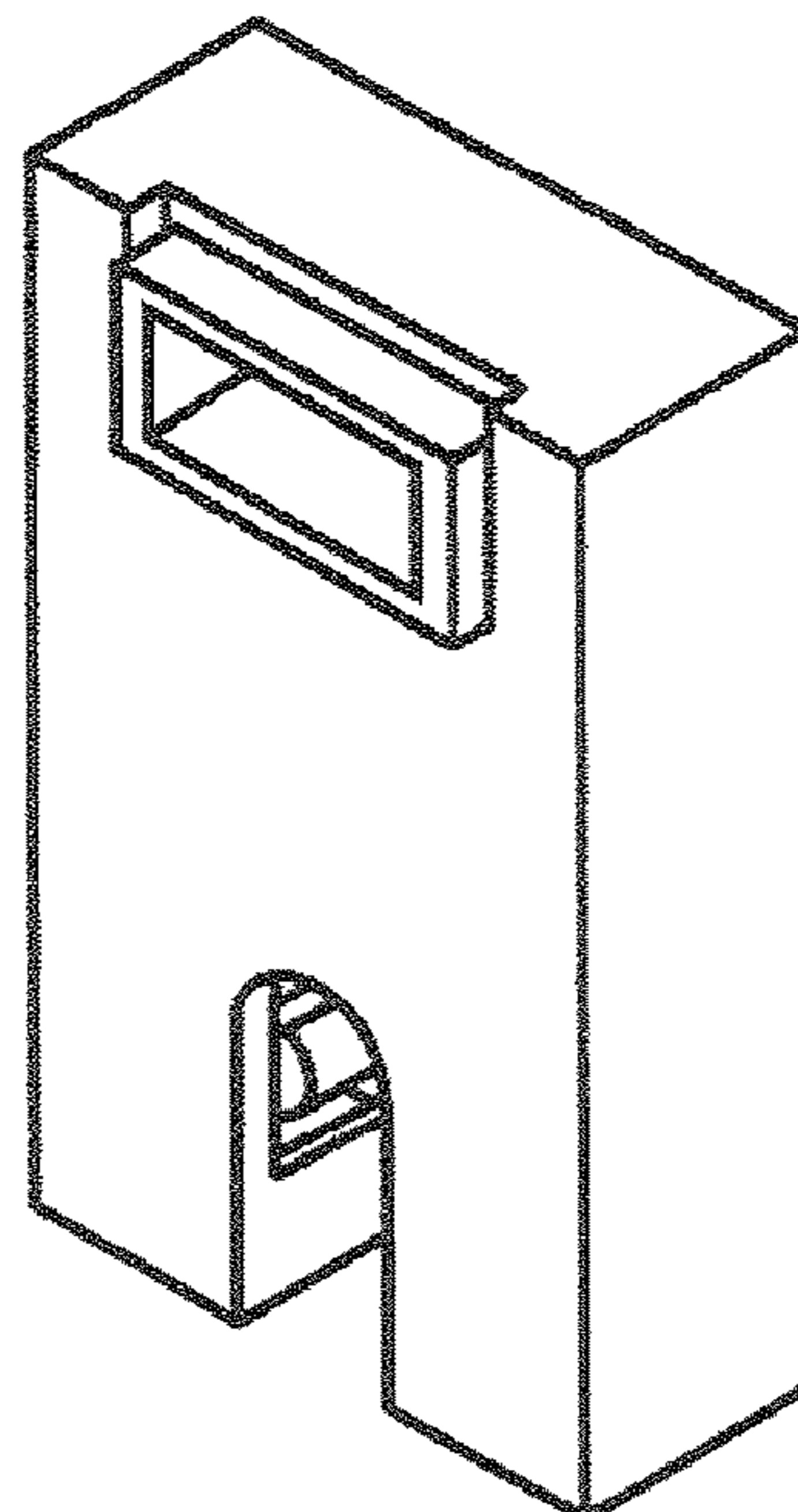
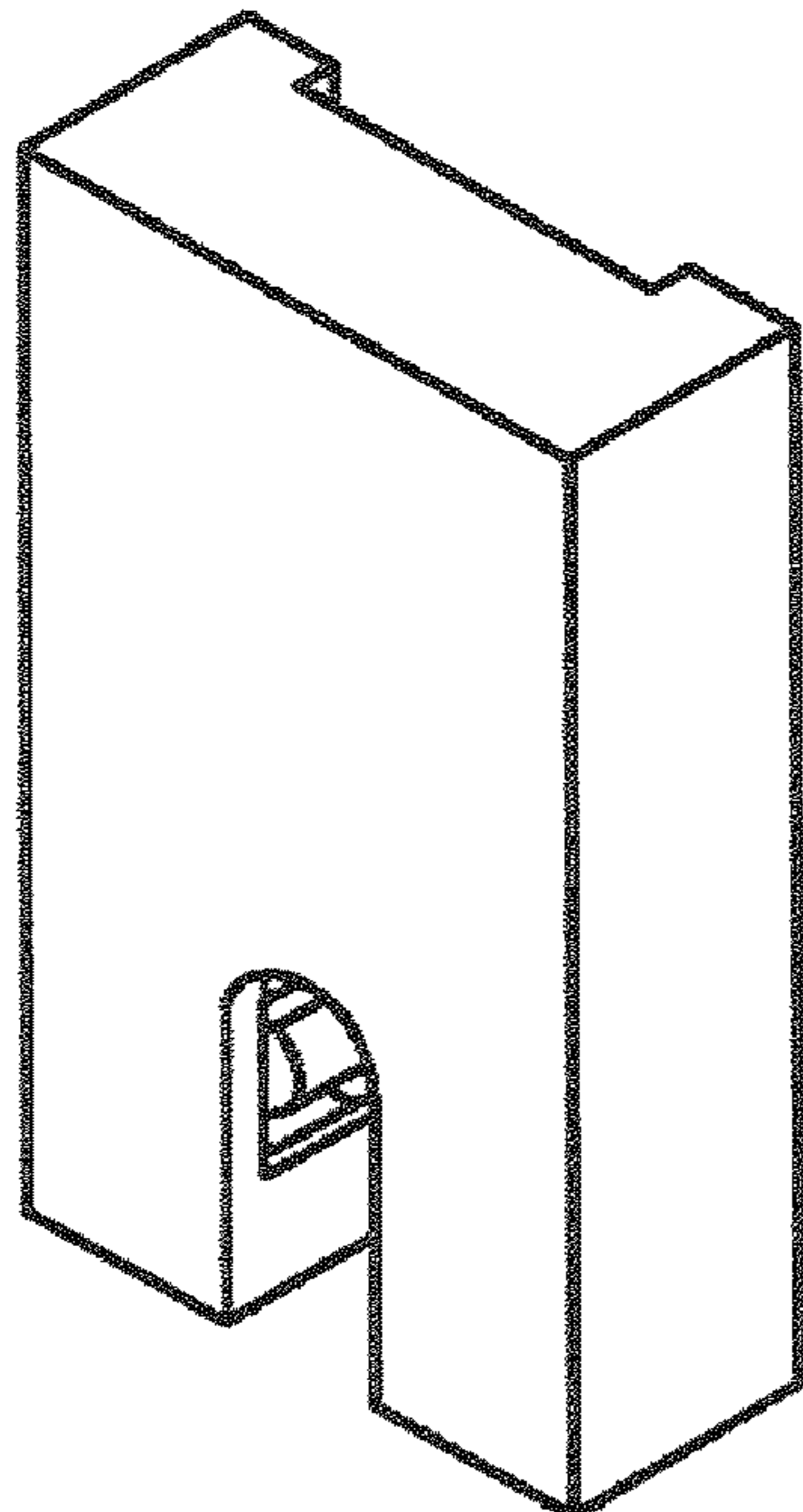
FIG. 5 is a top view thereof;

FIG. 6 is a bottom view thereof;

FIG. 7 is a perspective front view thereof; and,

FIG. 8 is a perspective rear view thereof.

**1 Claim, 3 Drawing Sheets**



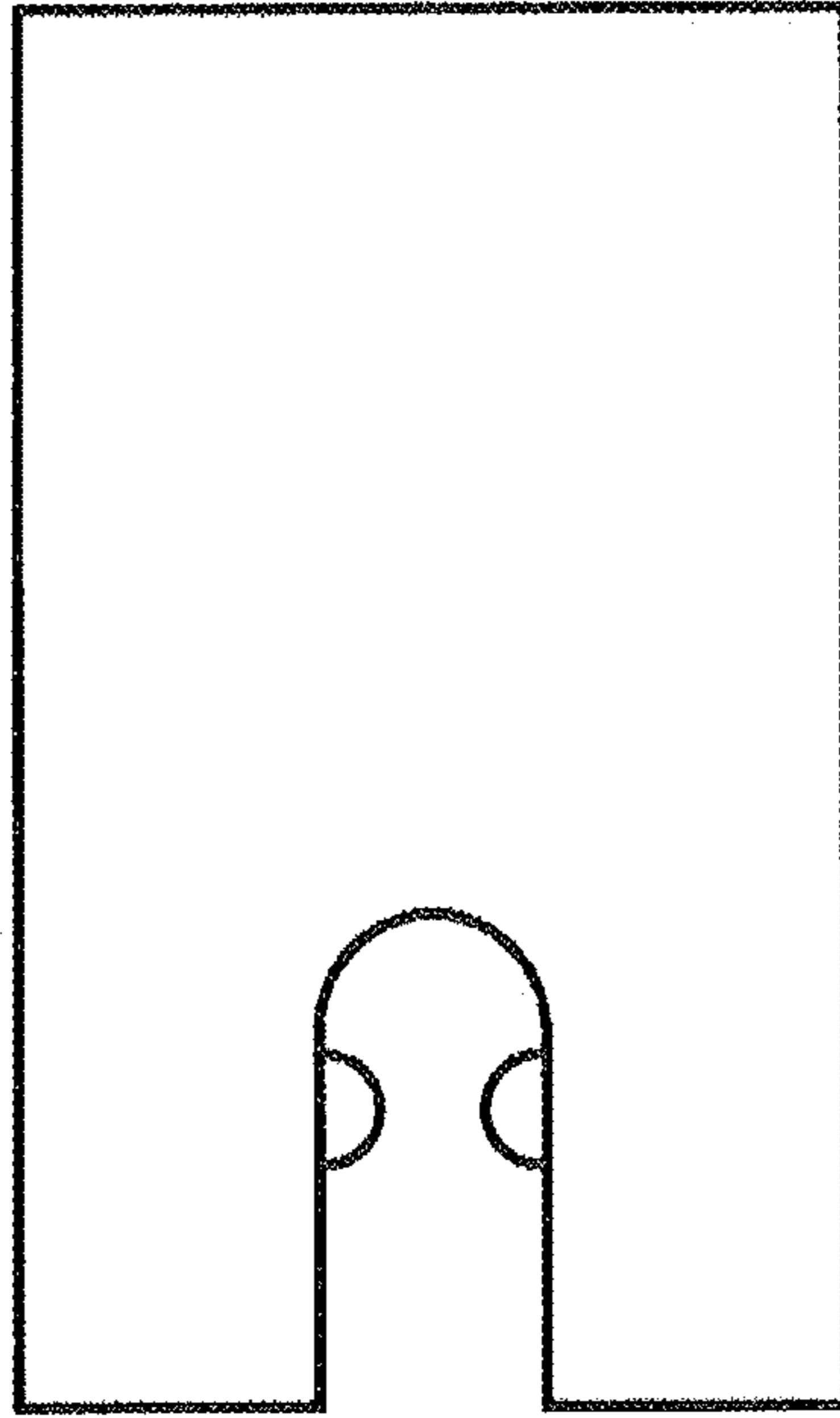


Figure 1

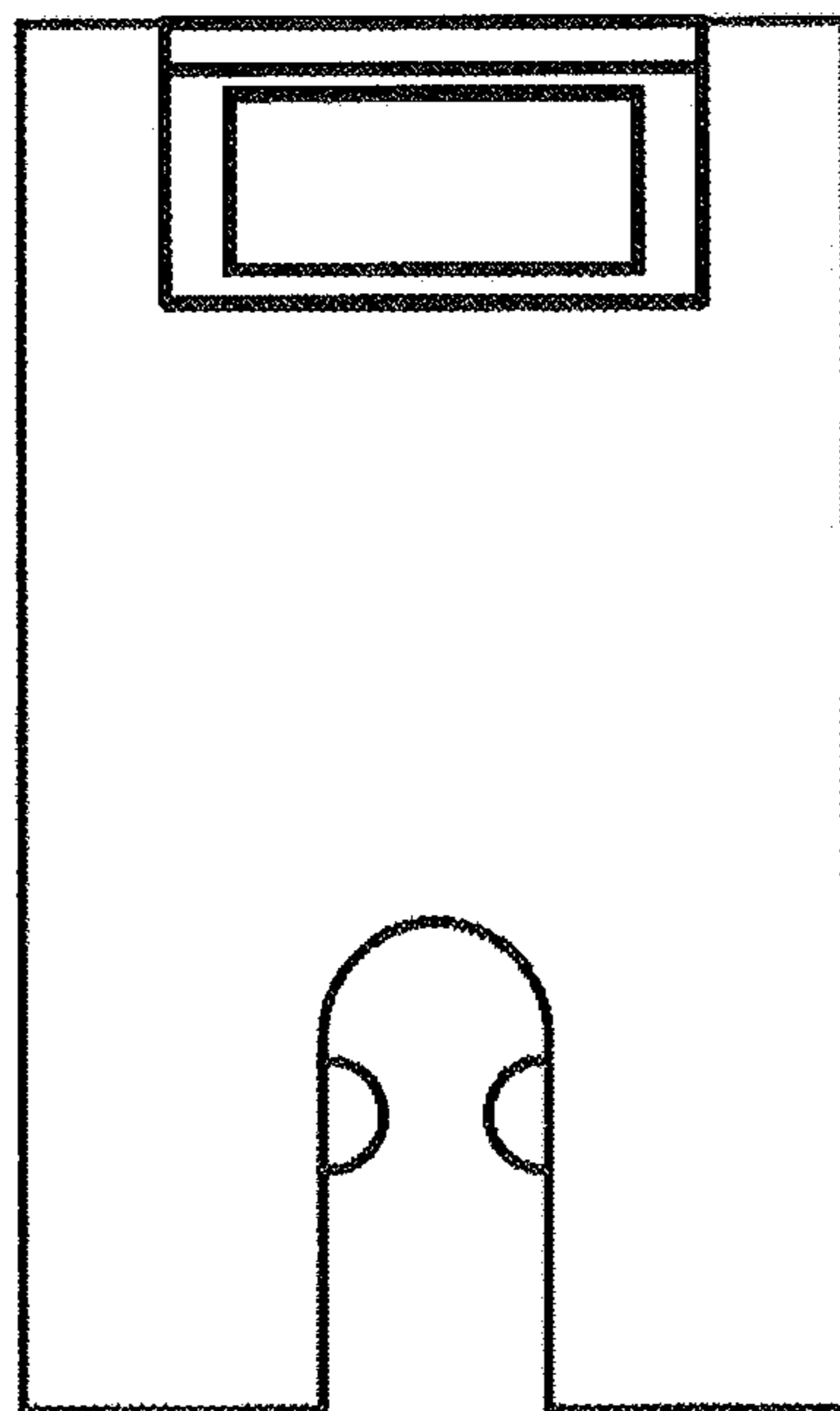


Figure 2

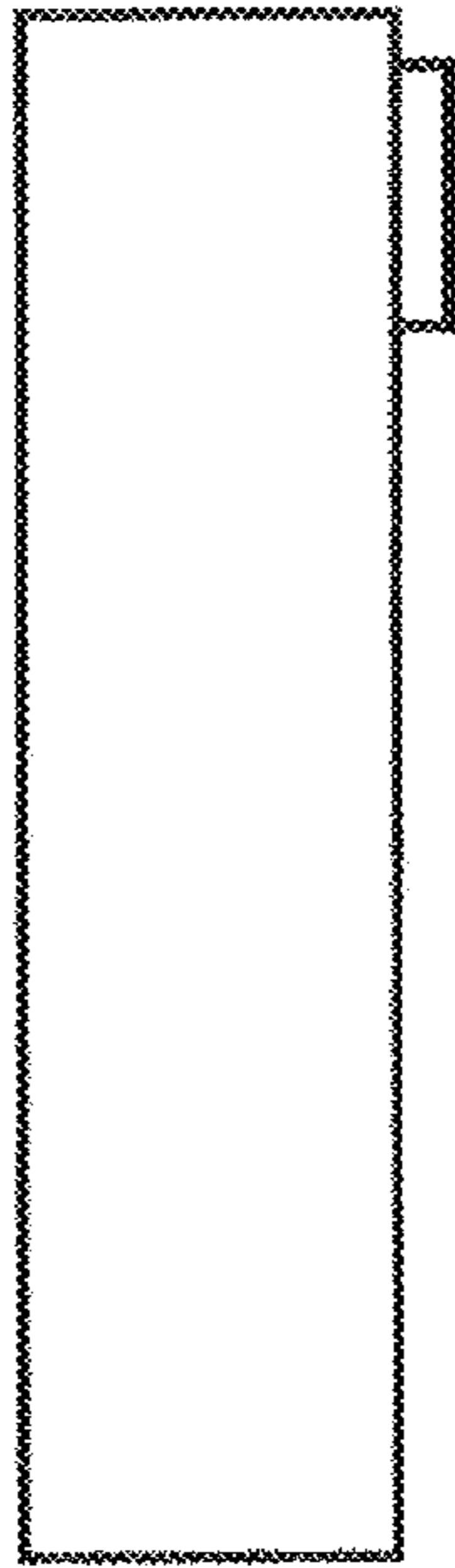


Figure 3

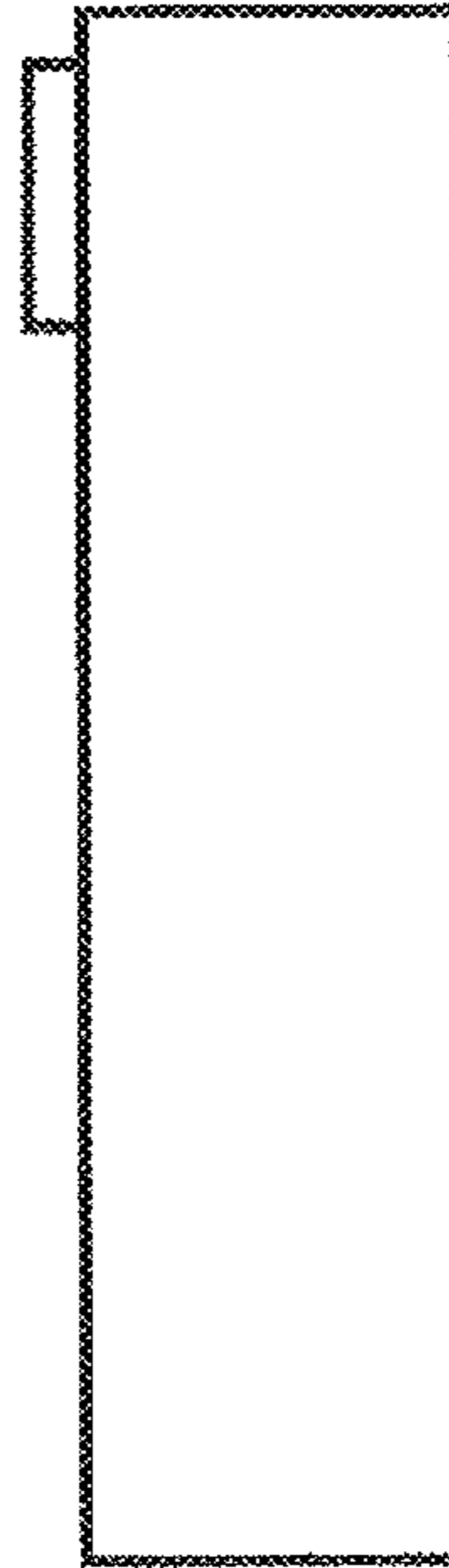


Figure 4

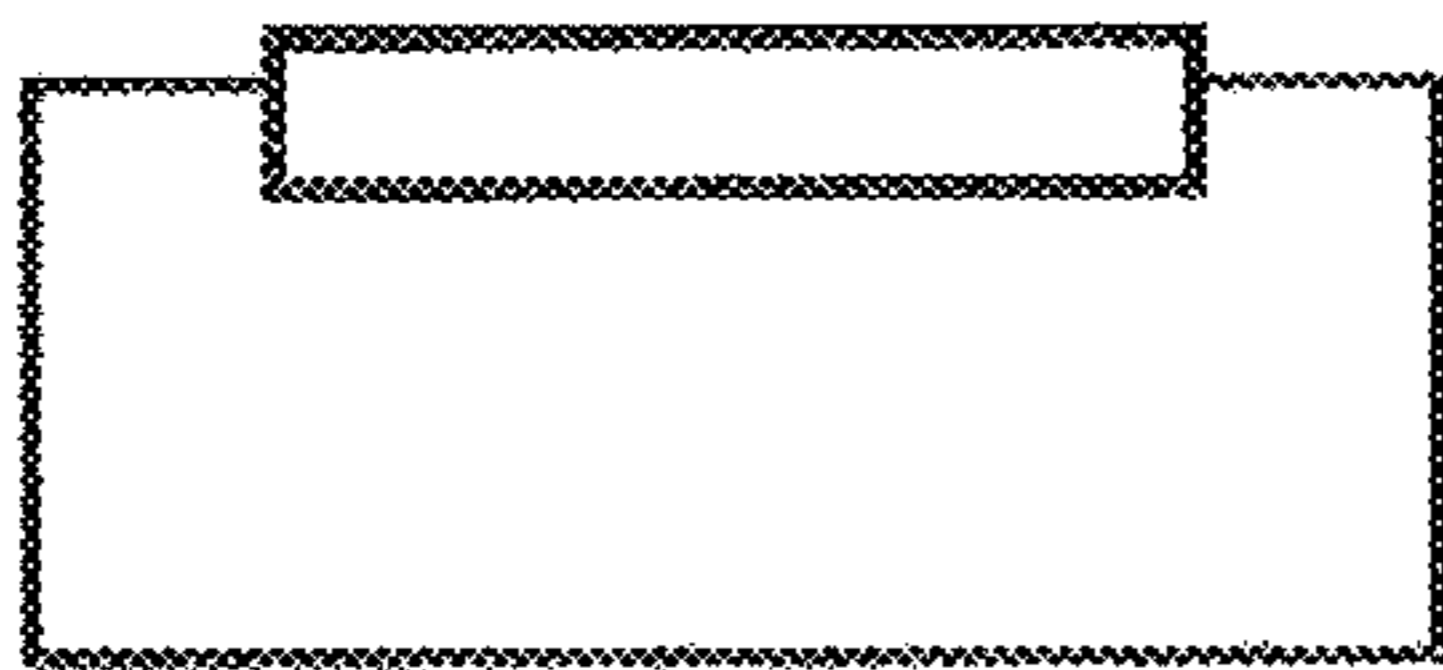


Figure 5

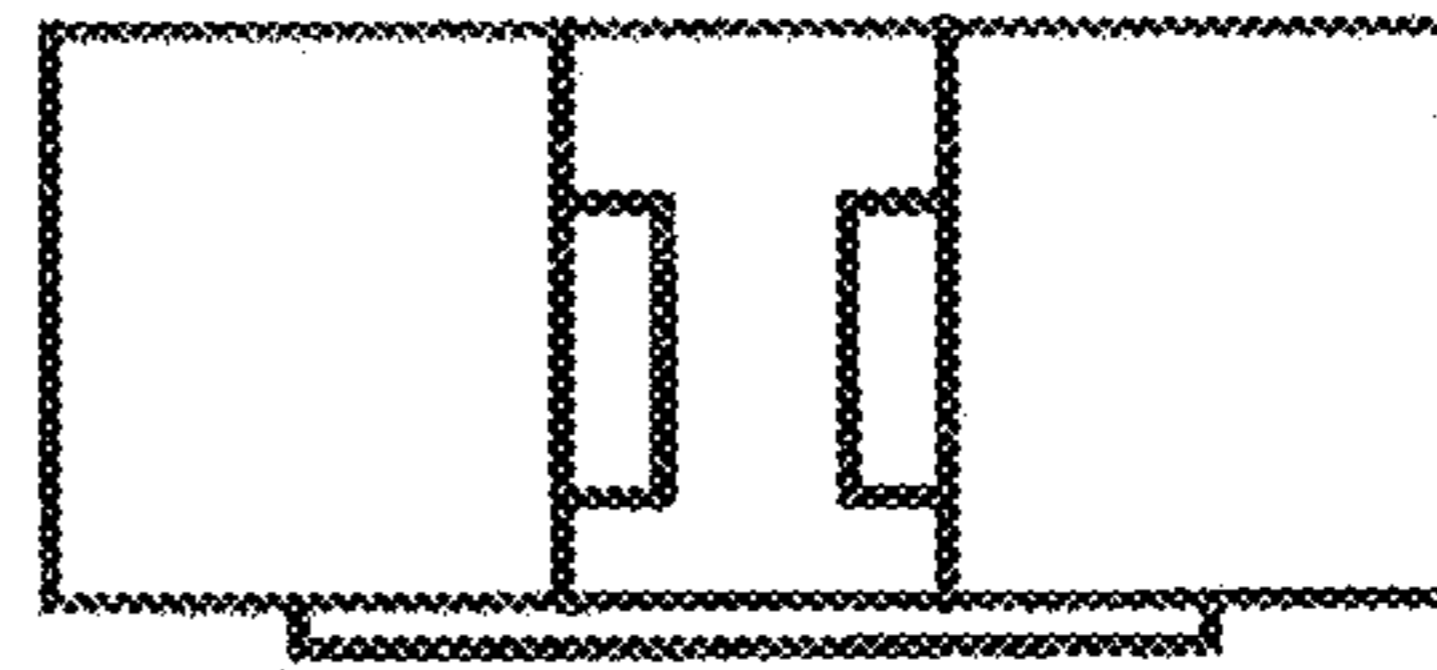


Figure 6

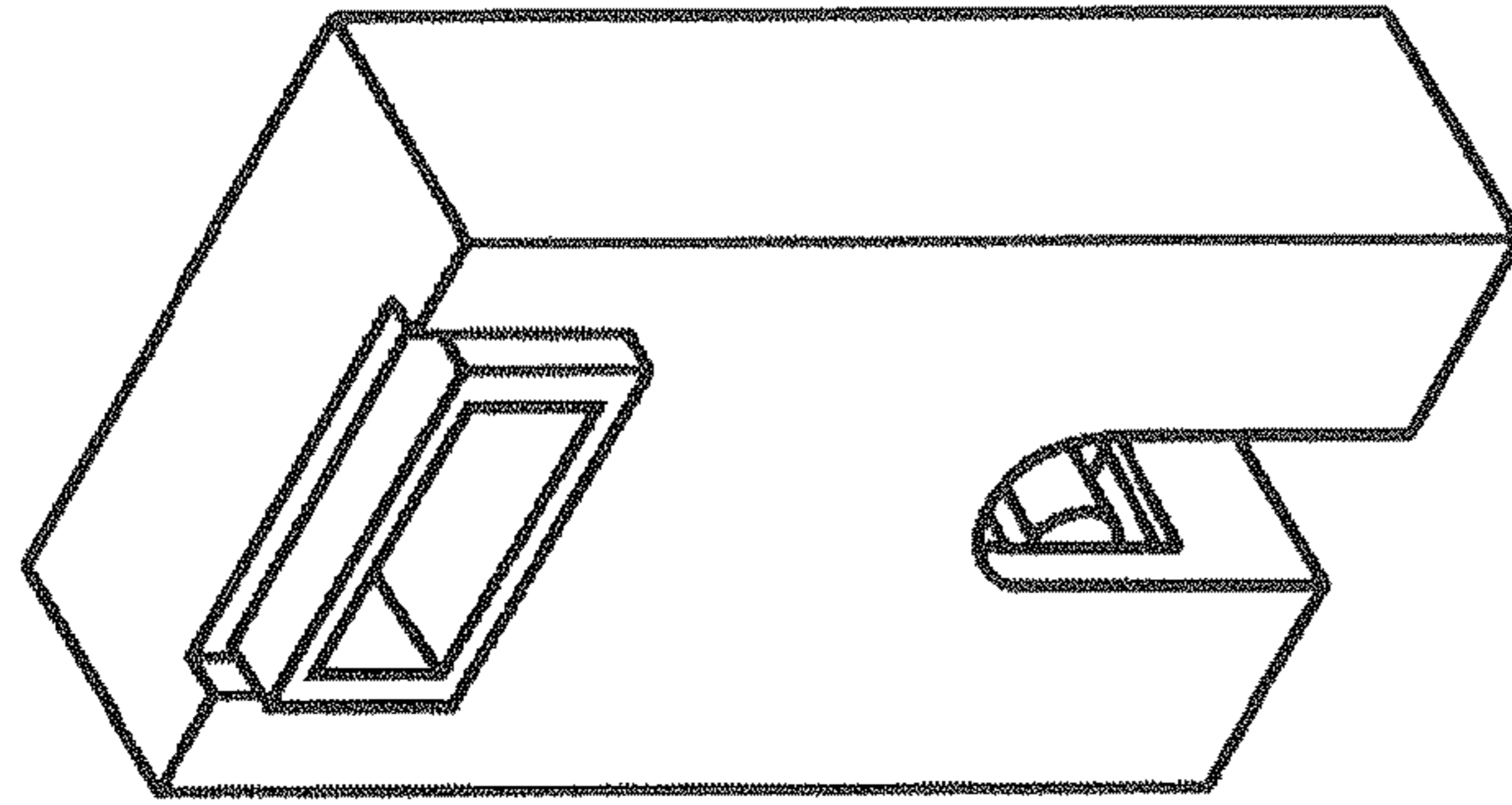


Figure 8

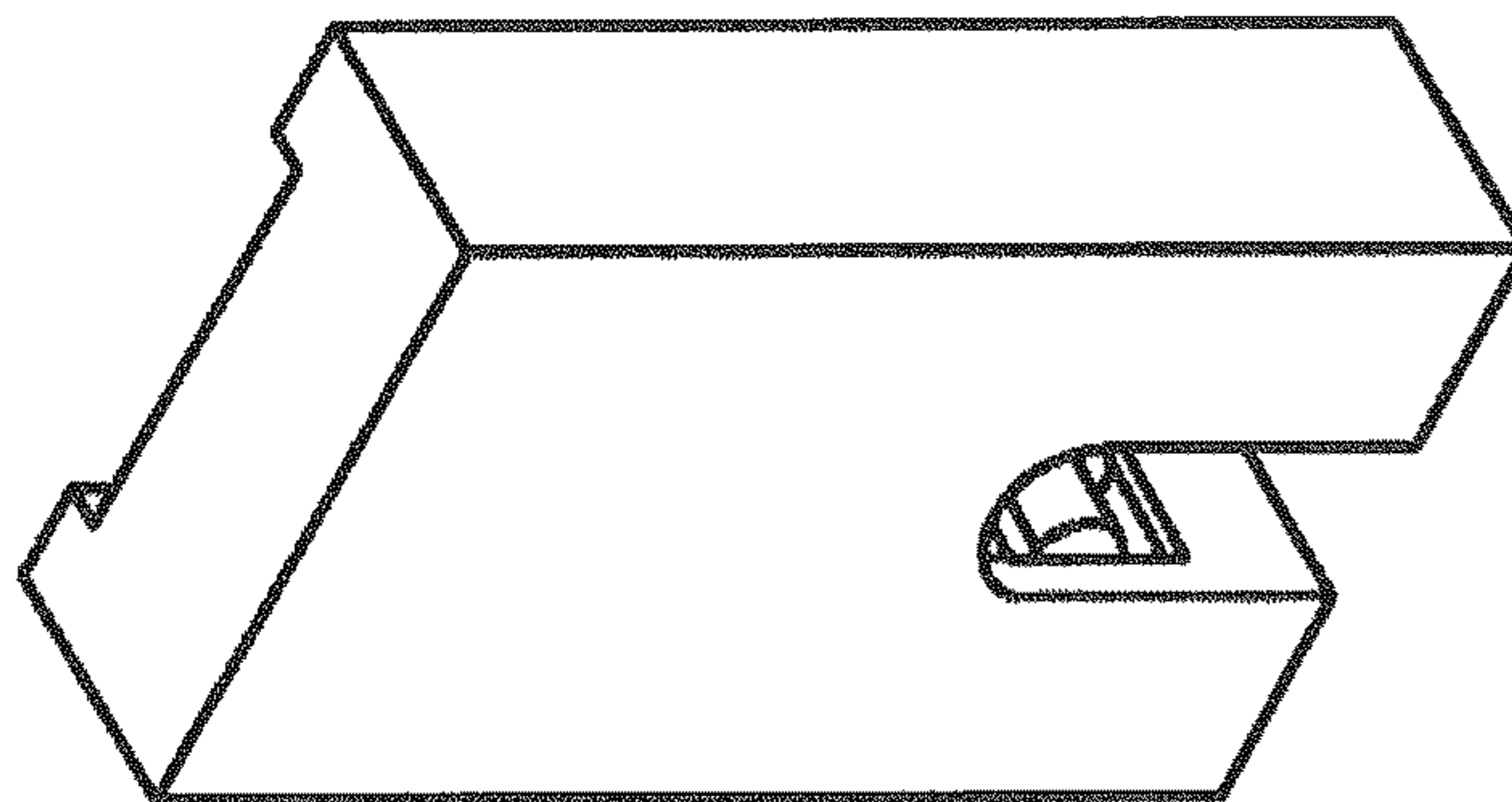


Figure 7