



US00D696147S

(12) **United States Design Patent**  
**Chang et al.**

(10) **Patent No.:** **US D696,147 S**

(45) **Date of Patent:** **\*\* Dec. 24, 2013**

(54) **OPTICAL MODULE FOR IMAGE MEASURING SYSTEM**

(75) Inventors: **Chih-Kuang Chang**, New Taipei (TW);  
**Dong-Hai Li**, Shenzhen (CN); **Li Jiang**,  
Shenzhen (CN); **Jian-Hua Liu**,  
Shenzhen (CN); **Dong-Sheng Liu**,  
Shenzhen (CN)

(73) Assignee: **Hon Hai Precision Industry Co., Ltd.**,  
New Taipei (TW)

(\*\*) Term: **14 Years**

(21) Appl. No.: **29/409,900**

(22) Filed: **Dec. 29, 2011**

(30) **Foreign Application Priority Data**

Dec. 9, 2011 (CN) ..... 2011 3 04688785

(51) **LOC (9) Cl.** ..... **10-04**

(52) **U.S. Cl.**  
USPC ..... **D10/63**

(58) **Field of Classification Search**  
USPC ..... D10/63, 46; 33/555, 832, 501.02  
See application file for complete search history.

(56) **References Cited**

U.S. PATENT DOCUMENTS

6,725,557	B2 *	4/2004	Kushibiki et al. ....	33/555
7,587,840	B2 *	9/2009	Sakai et al. ....	33/501.02
D610,926	S *	3/2010	Gerent et al. ....	D10/63
D668,974	S *	10/2012	Chang et al. ....	D10/63
D678,085	S *	3/2013	Bailey et al. ....	D10/63

\* cited by examiner

*Primary Examiner* — Brian N Vinson

(74) *Attorney, Agent, or Firm* — Altis Law Group, Inc.

(57) **CLAIM**

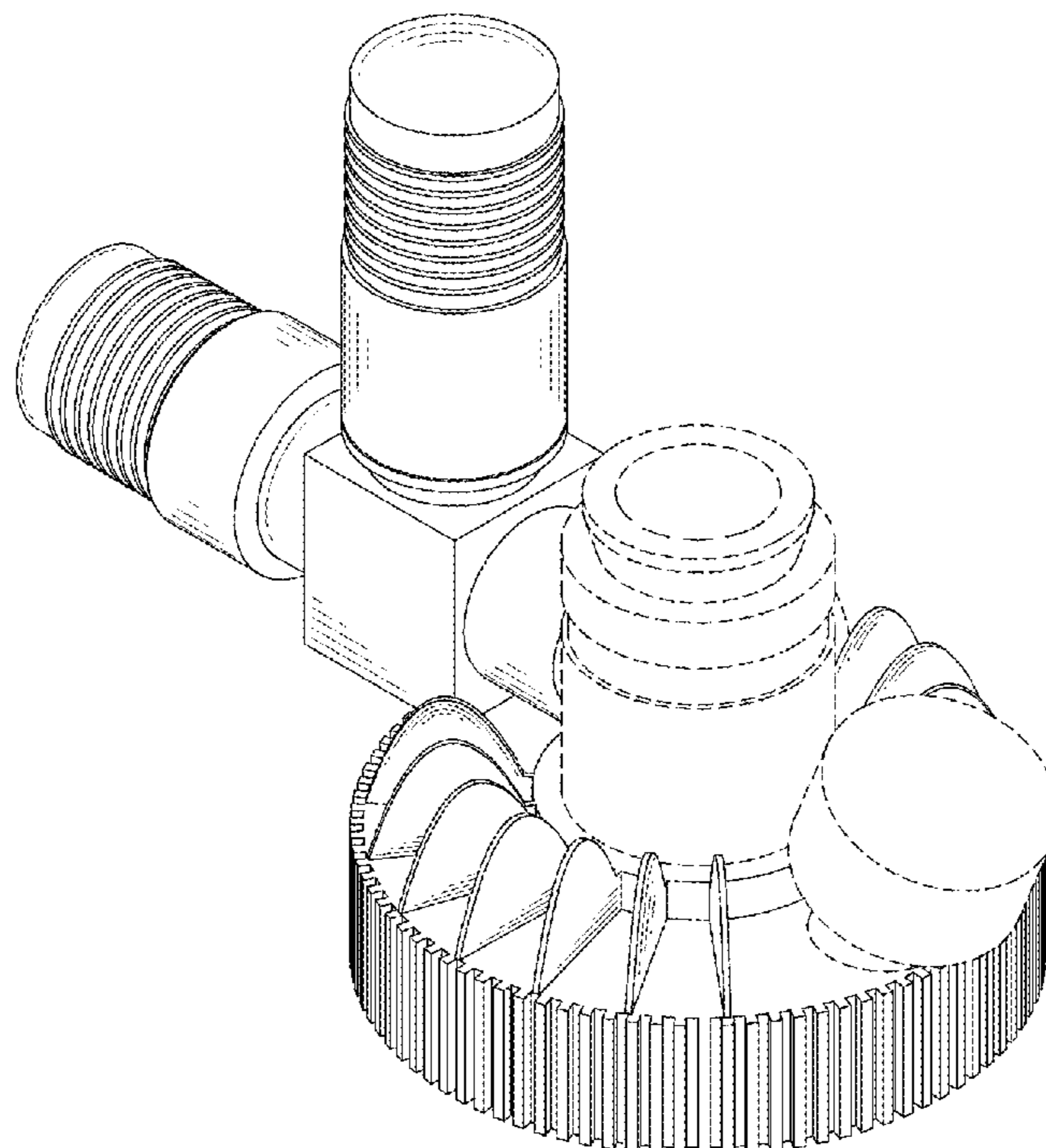
The ornamental design for an optical module for image measuring system, as shown and described.

**DESCRIPTION**

FIG. 1 is a perspective view of an optical module for image measuring system showing our new design; FIG. 2 is a front elevational view thereof; FIG. 3 is a rear elevational view thereof; FIG. 4 is a left side elevational view thereof; FIG. 5 is a right side elevational view thereof; FIG. 6 is a top plan view thereof; and, FIG. 7 is a bottom plan view thereof.

The broken lines of all the figures are for the purpose of illustrating environment and form no part of the claimed design.

**1 Claim, 7 Drawing Sheets**



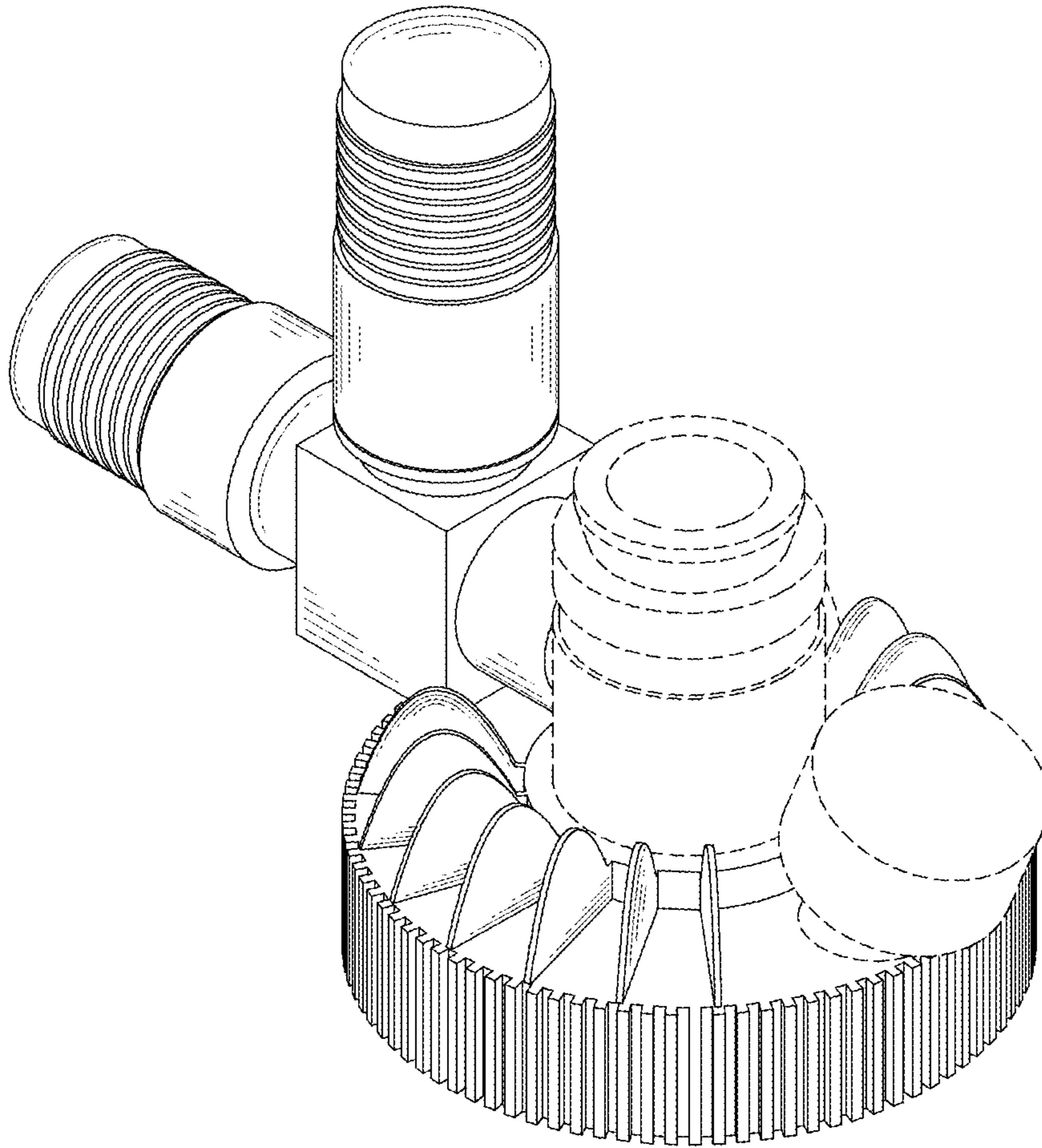


FIG. 1

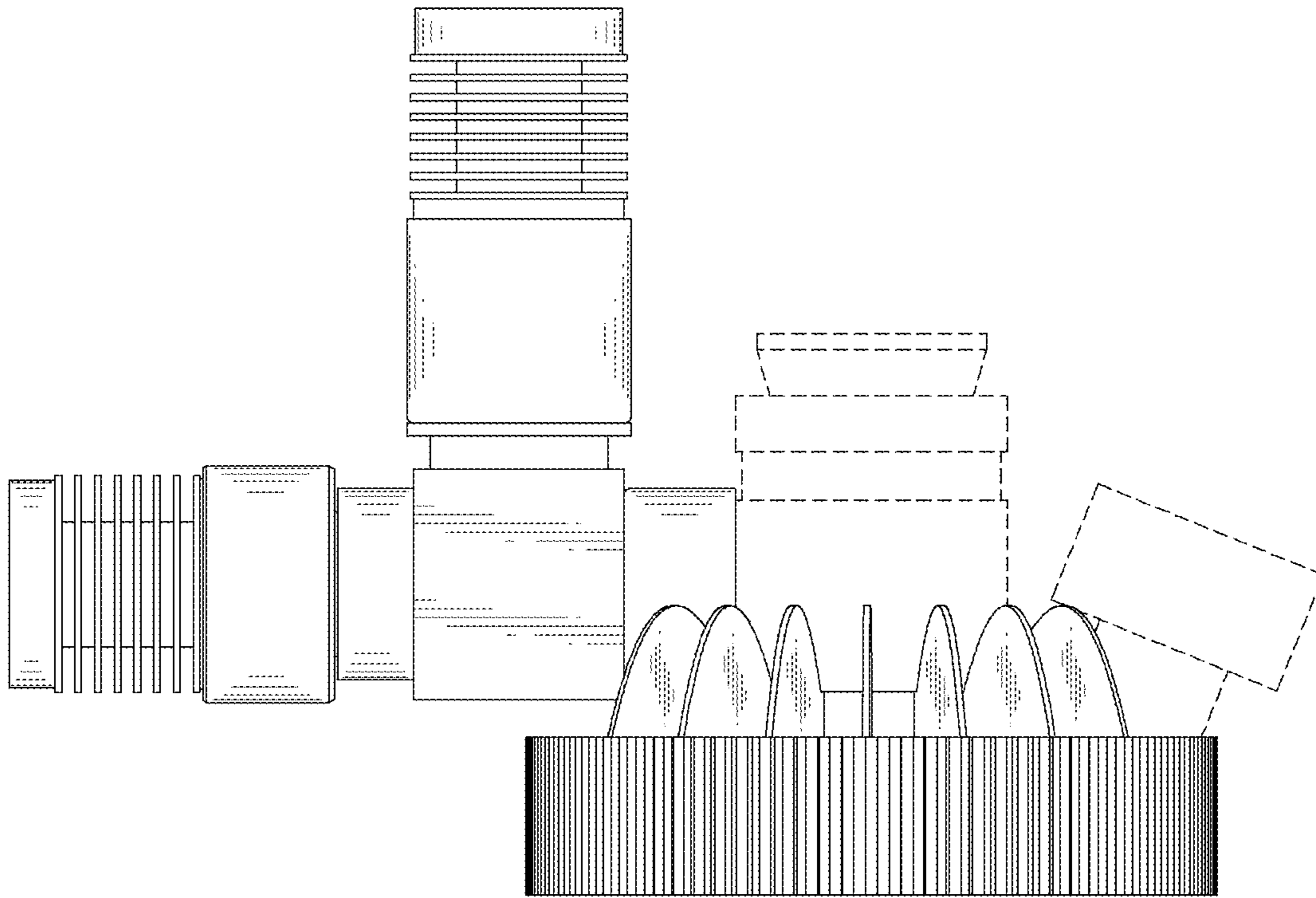


FIG. 2

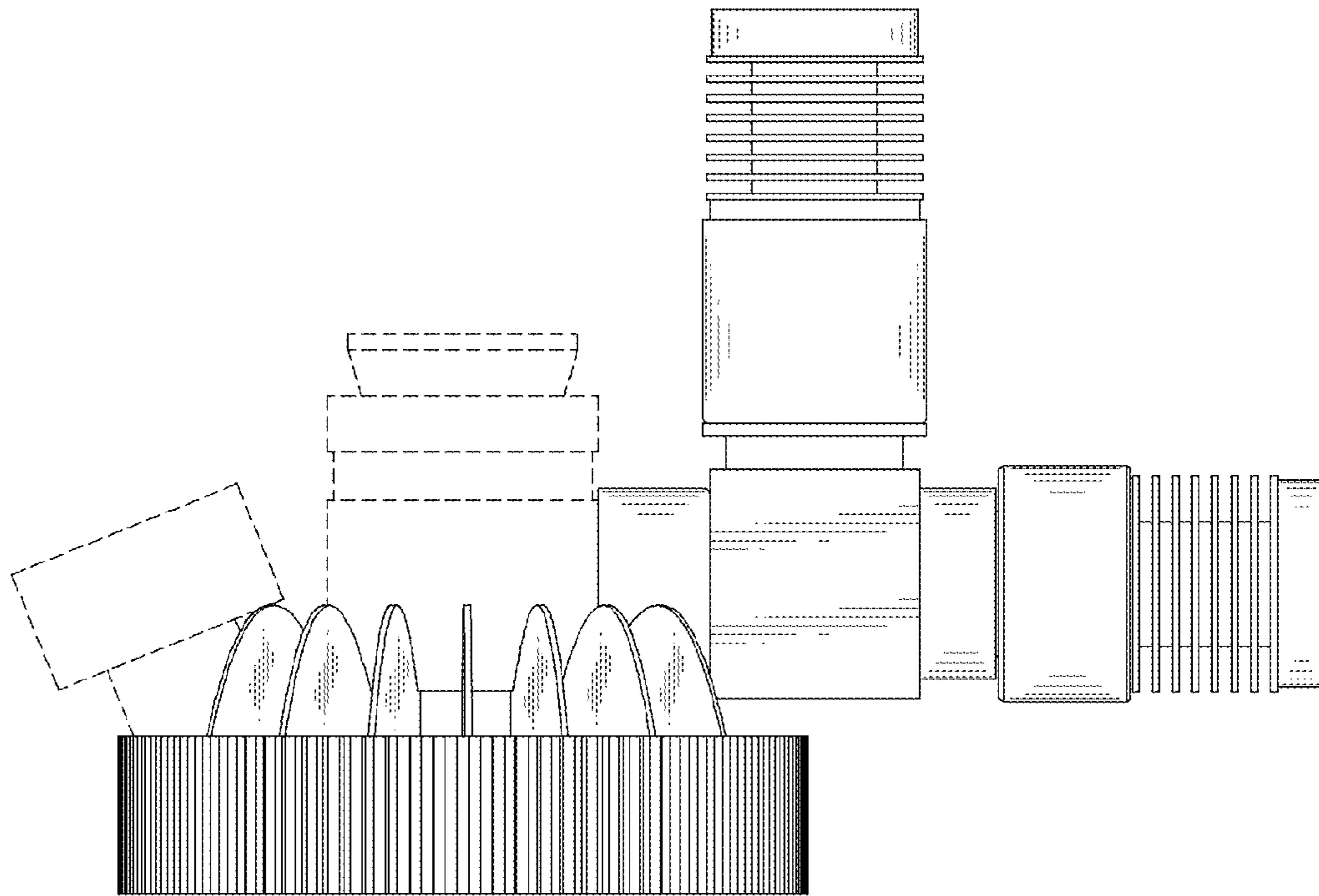


FIG. 3

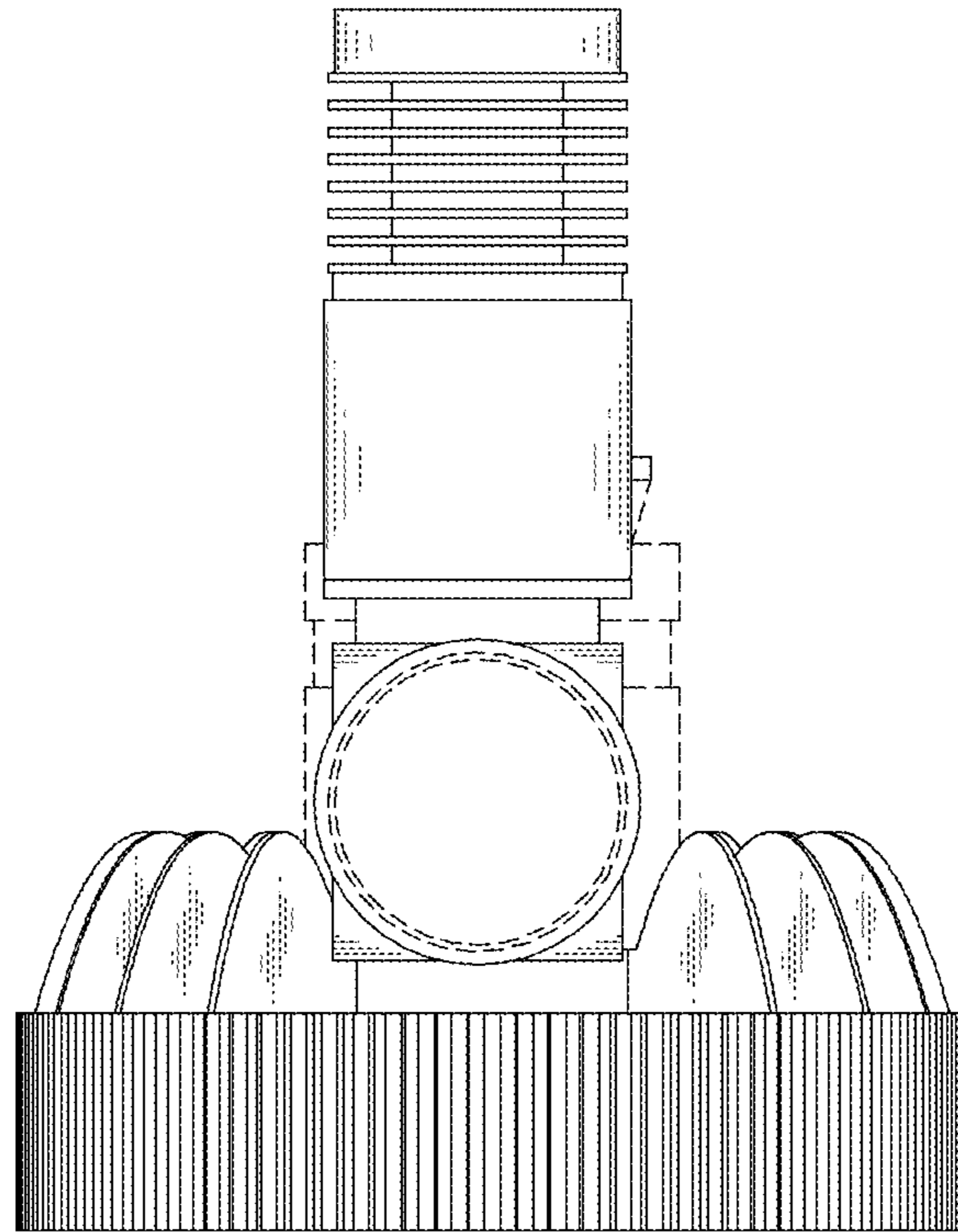


FIG. 4

Attorney Docket No. US42730

5/7

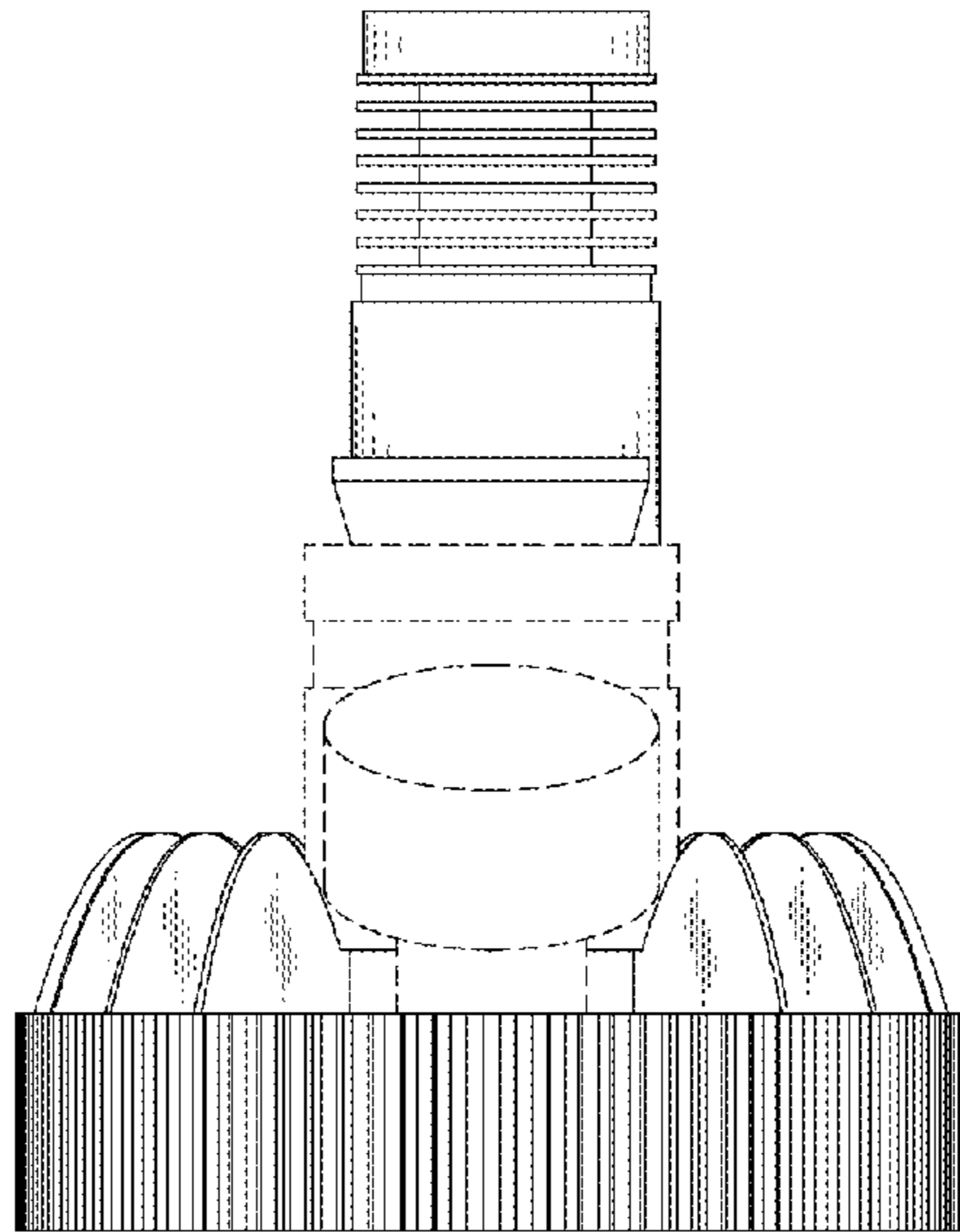


FIG. 5

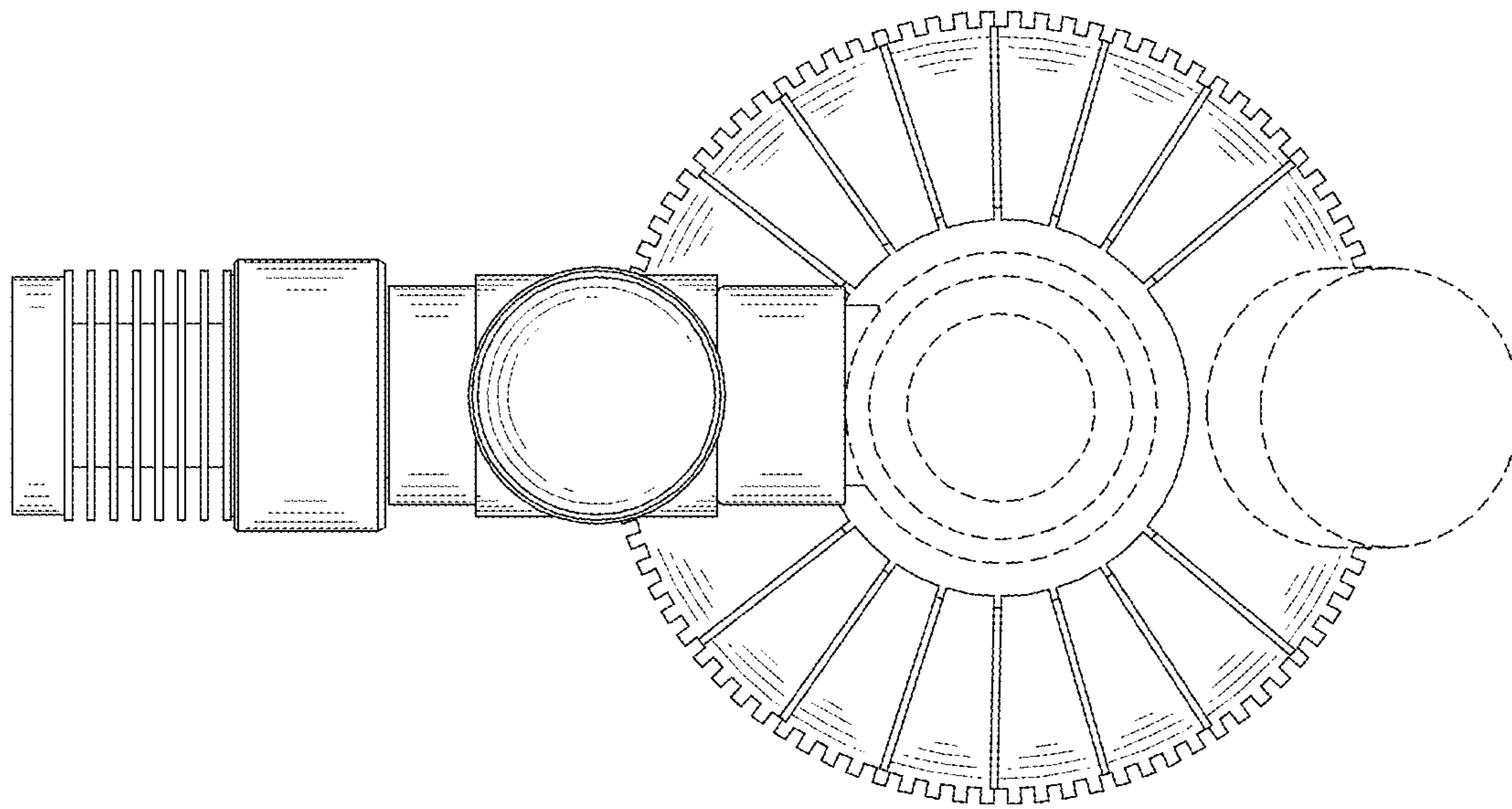


FIG. 6

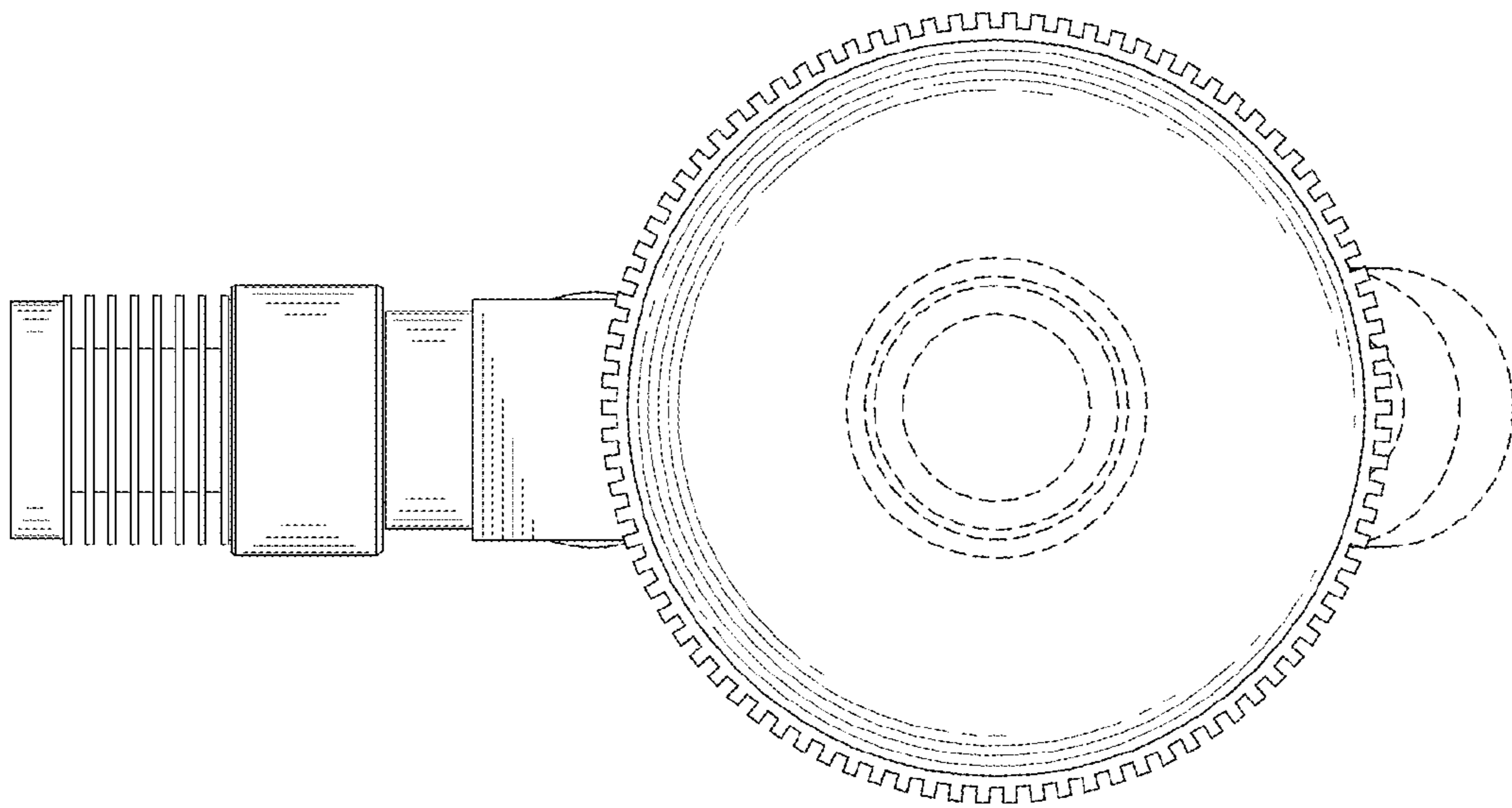


FIG. 7