



US00D696146S

(12) **United States Design Patent**  
**Iler**

(10) **Patent No.:** **US D696,146 S**

(45) **Date of Patent:** **\*\* Dec. 24, 2013**

(54) **SPORTS BALL DESIGN SCOREBOARD**

(71) Applicant: **Scott A. Iler**, O'Fallon, IL (US)

(72) Inventor: **Scott A. Iler**, O'Fallon, IL (US)

(\*\*) Term: **14 Years**

(21) Appl. No.: **29/435,028**

(22) Filed: **Oct. 18, 2012**

(51) **LOC (9) Cl.** ..... **21-01**

(52) **U.S. Cl.**  
USPC ..... **D10/46.1**

(58) **Field of Classification Search**  
USPC ..... D21/324-328; D10/46.1; 116/222-225;  
235/90, 1 B  
See application file for complete search history.

(56) **References Cited**

**U.S. PATENT DOCUMENTS**

3,730,131	A	*	5/1973	Izzo	.....	116/223
D313,769	S	*	1/1991	Catuzzi	.....	D10/46.1
5,820,099	A	*	10/1998	Rahbar et al.	.....	251/129.15
D449,544	S	*	10/2001	Liu	.....	D10/46.1

D540,201	S	*	4/2007	Jackson et al.	.....	D10/46.1
D596,053	S	*	7/2009	Daicos	.....	D10/46.1
D605,536	S	*	12/2009	Nishimoto	.....	D10/46.1
D625,621	S	*	10/2010	Boyer et al.	.....	D10/46.1
D626,440	S	*	11/2010	Daicos	.....	D10/97
D644,540	S	*	9/2011	Iler	.....	D10/46.1

\* cited by examiner

*Primary Examiner* — Prabhakar Deshmukh

(74) *Attorney, Agent, or Firm* — Kevin L. Klug

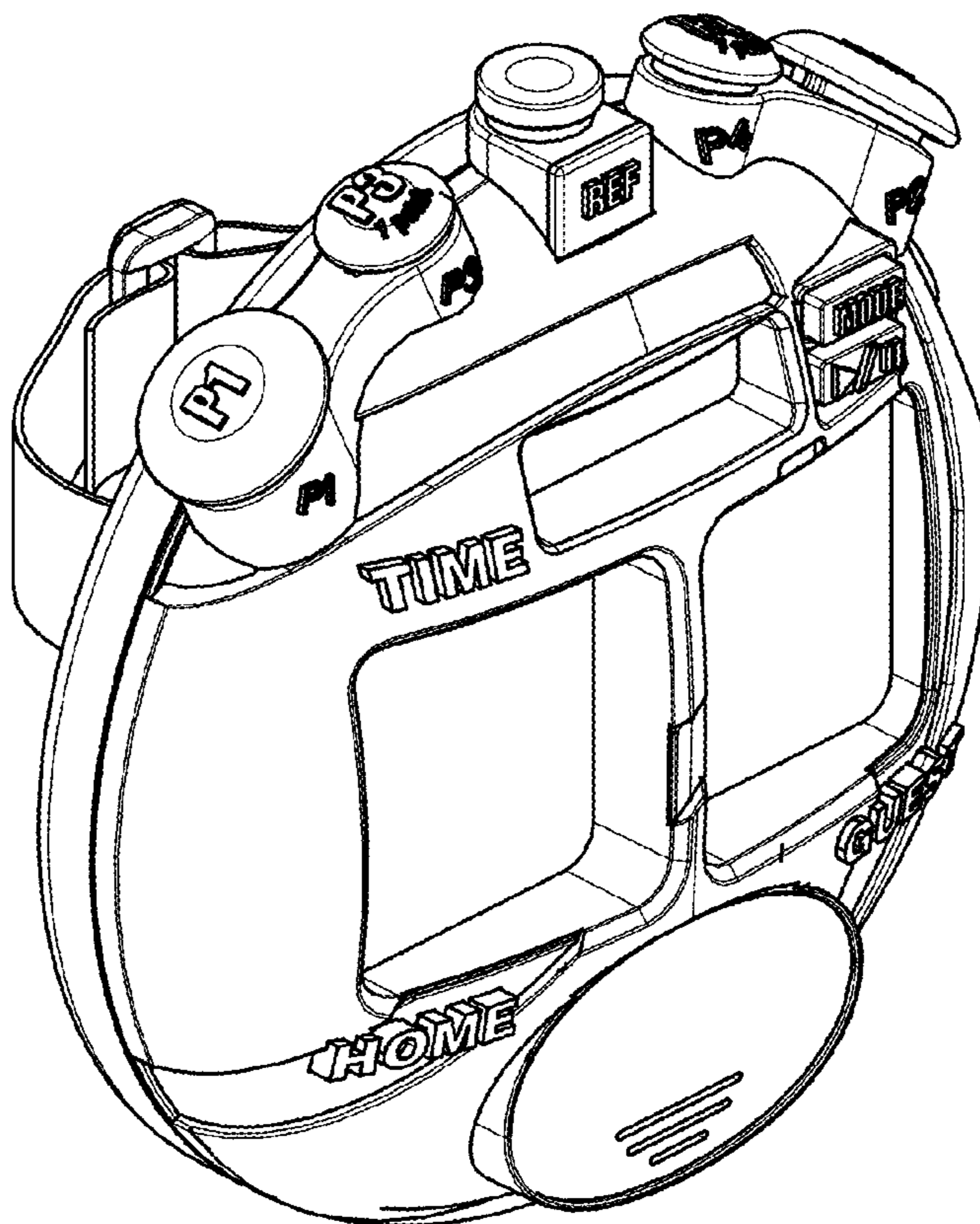
(57) **CLAIM**

The ornamental design for a sports ball design scoreboard, as shown and described.

**DESCRIPTION**

FIG. 1 is a front elevation view of a sports ball design scoreboard, showing my new design;  
FIG. 2 is a rear elevation view thereof;  
FIG. 3 is a right side elevation view thereof;  
FIG. 4 is a left side elevation view thereof;  
FIG. 5 is a top plan view thereof;  
FIG. 6 is a bottom plan view thereof; and,  
FIG. 7 is a left top perspective view thereof.

**1 Claim, 7 Drawing Sheets**



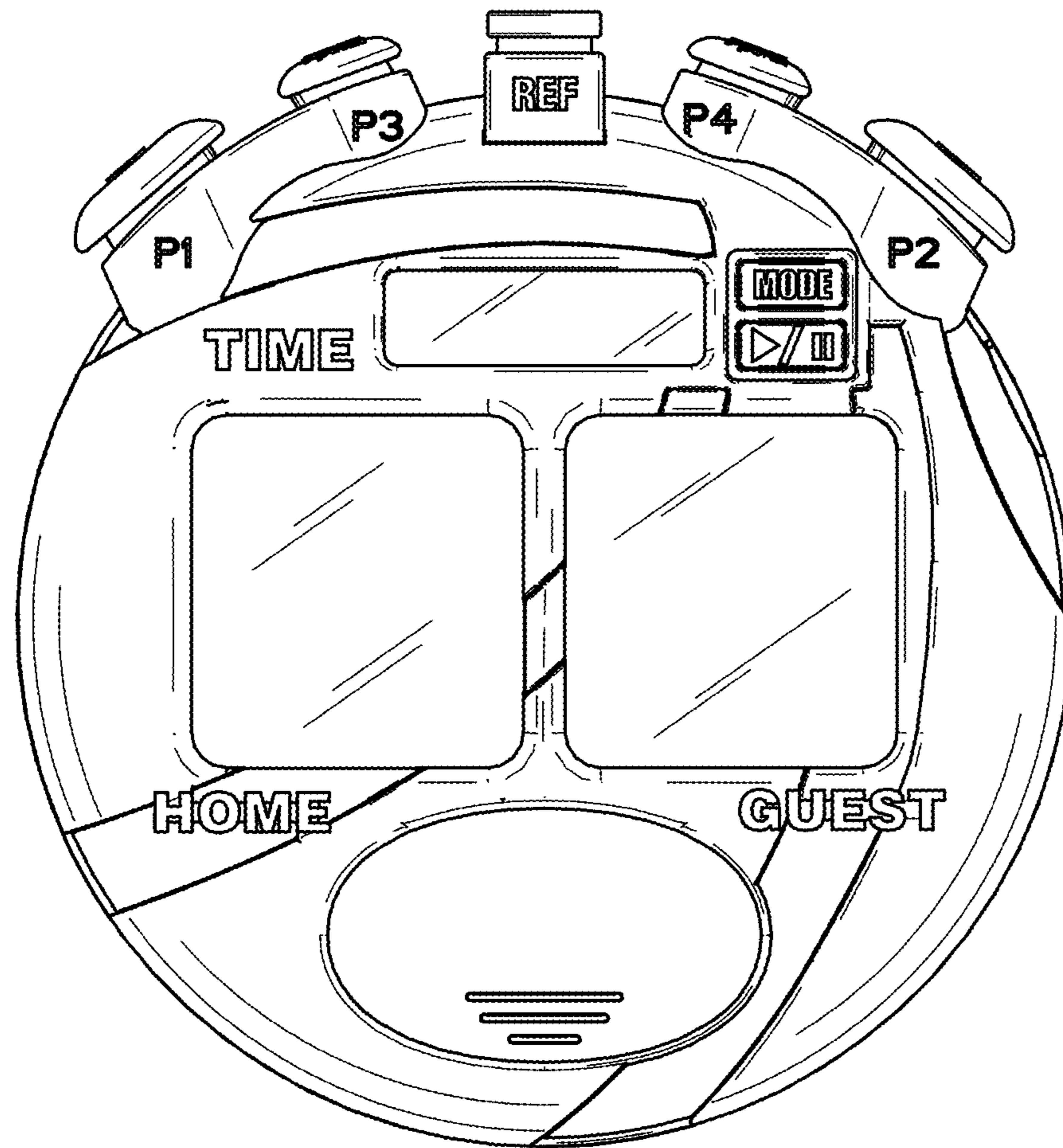


Fig. 1

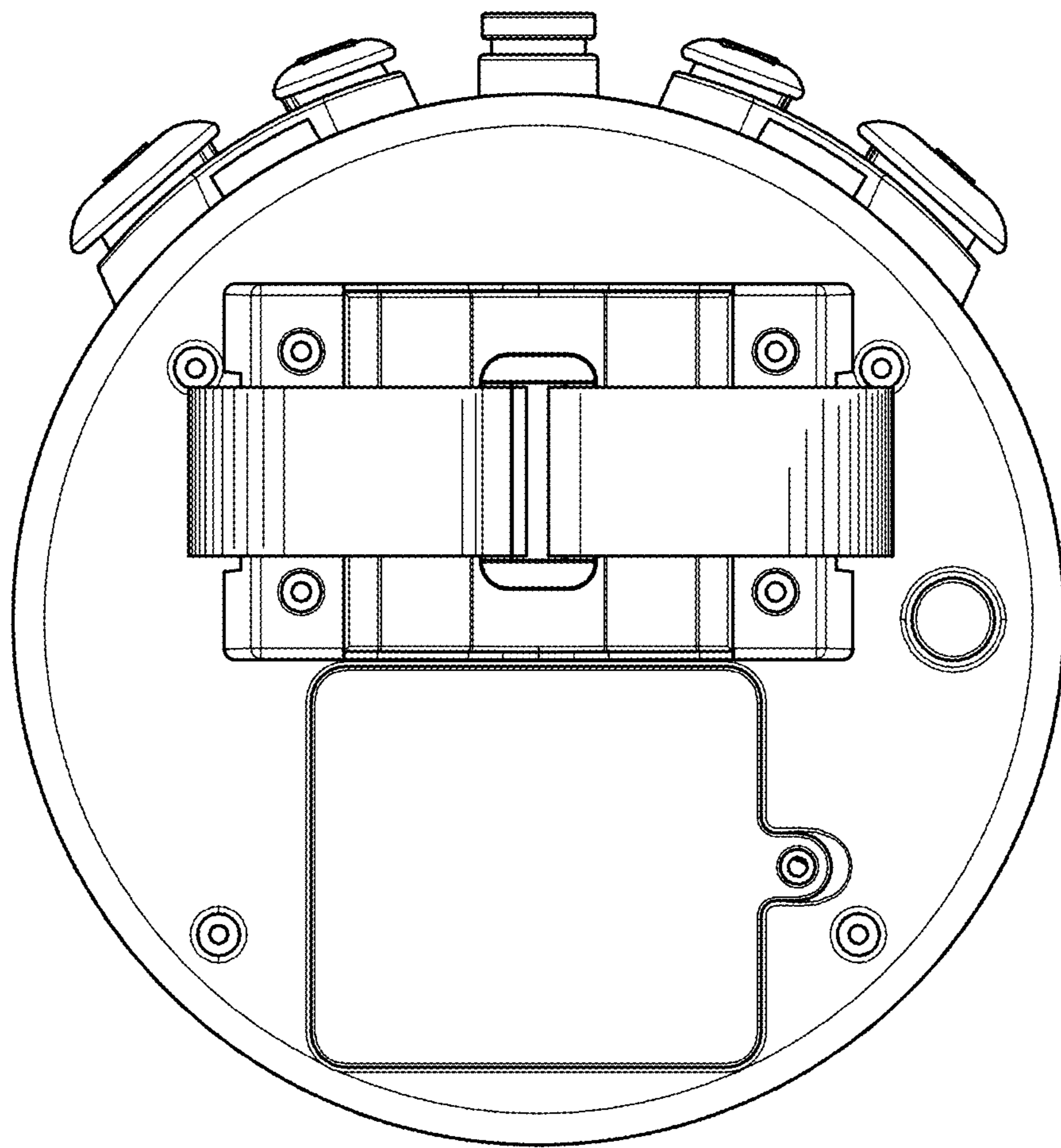


Fig. 2

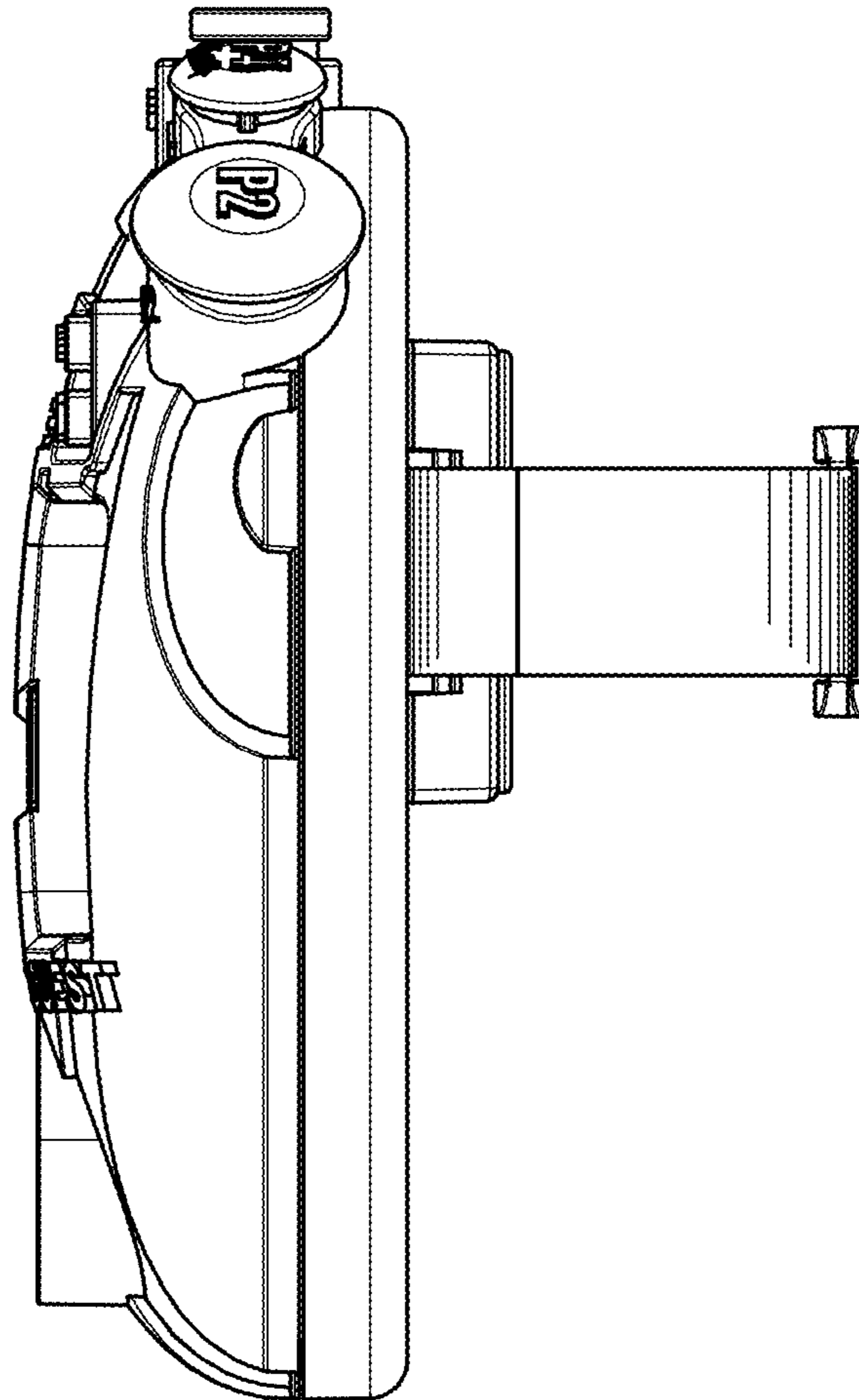


Fig. 3

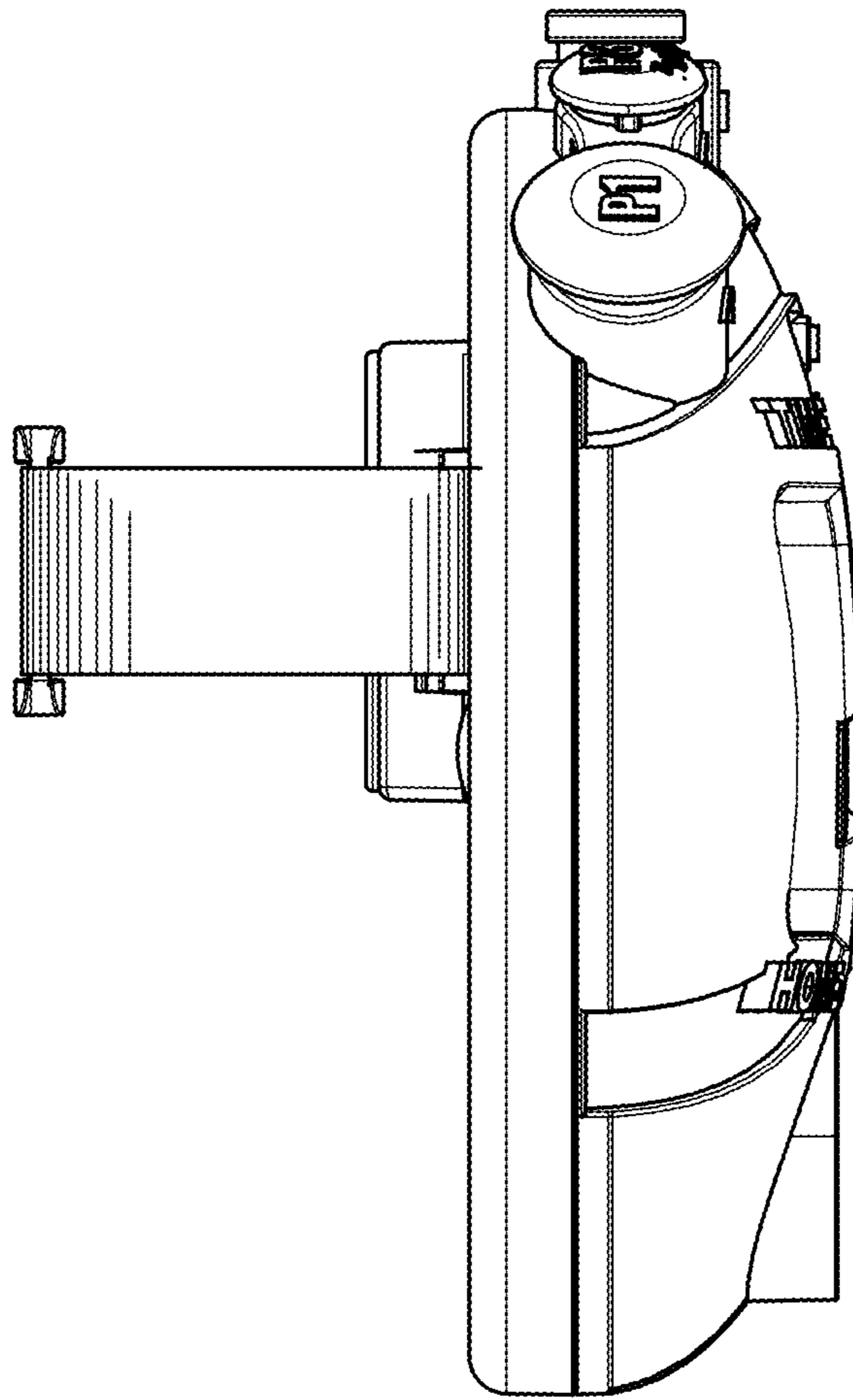


Fig. 4



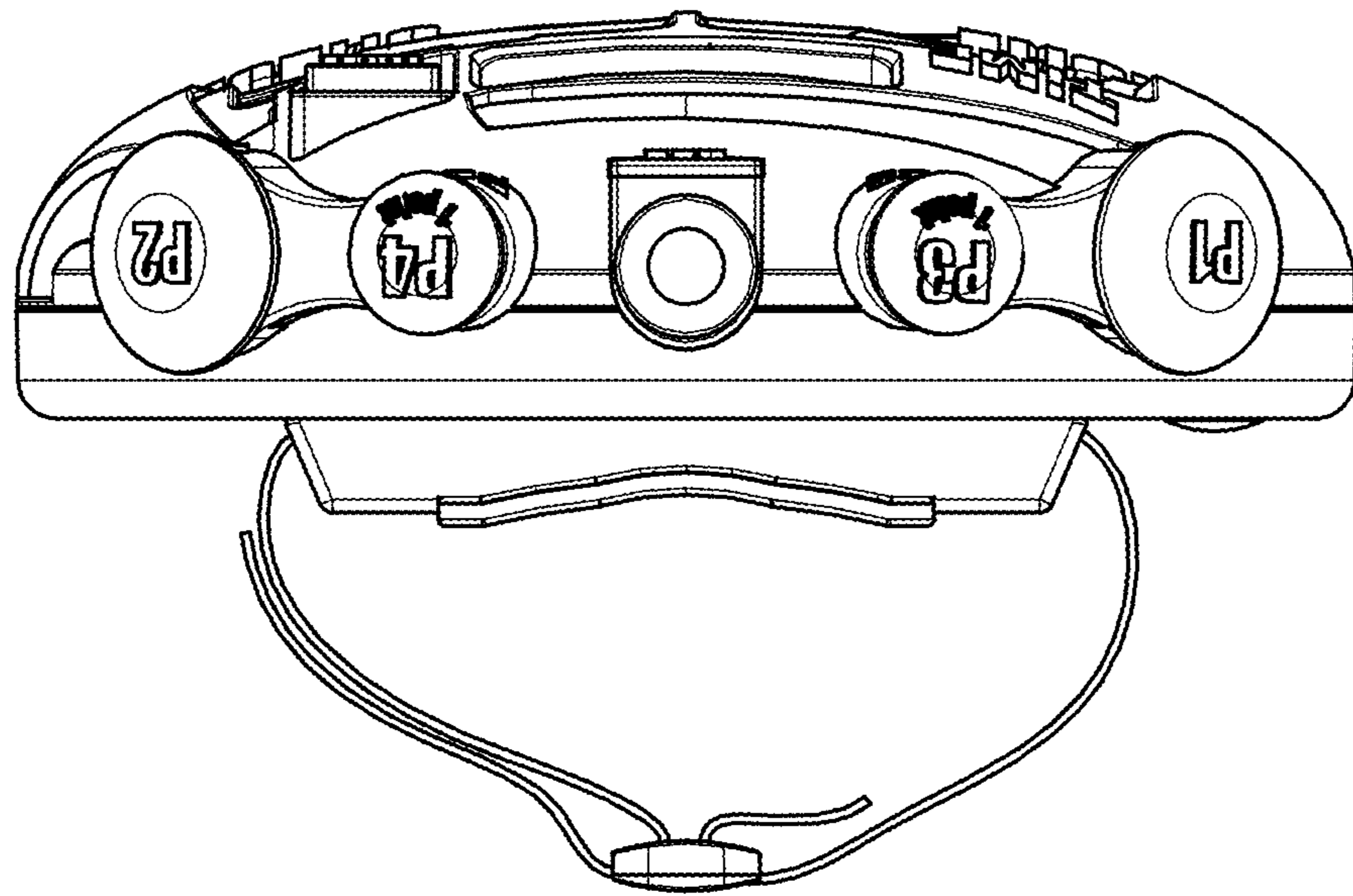


Fig. 5

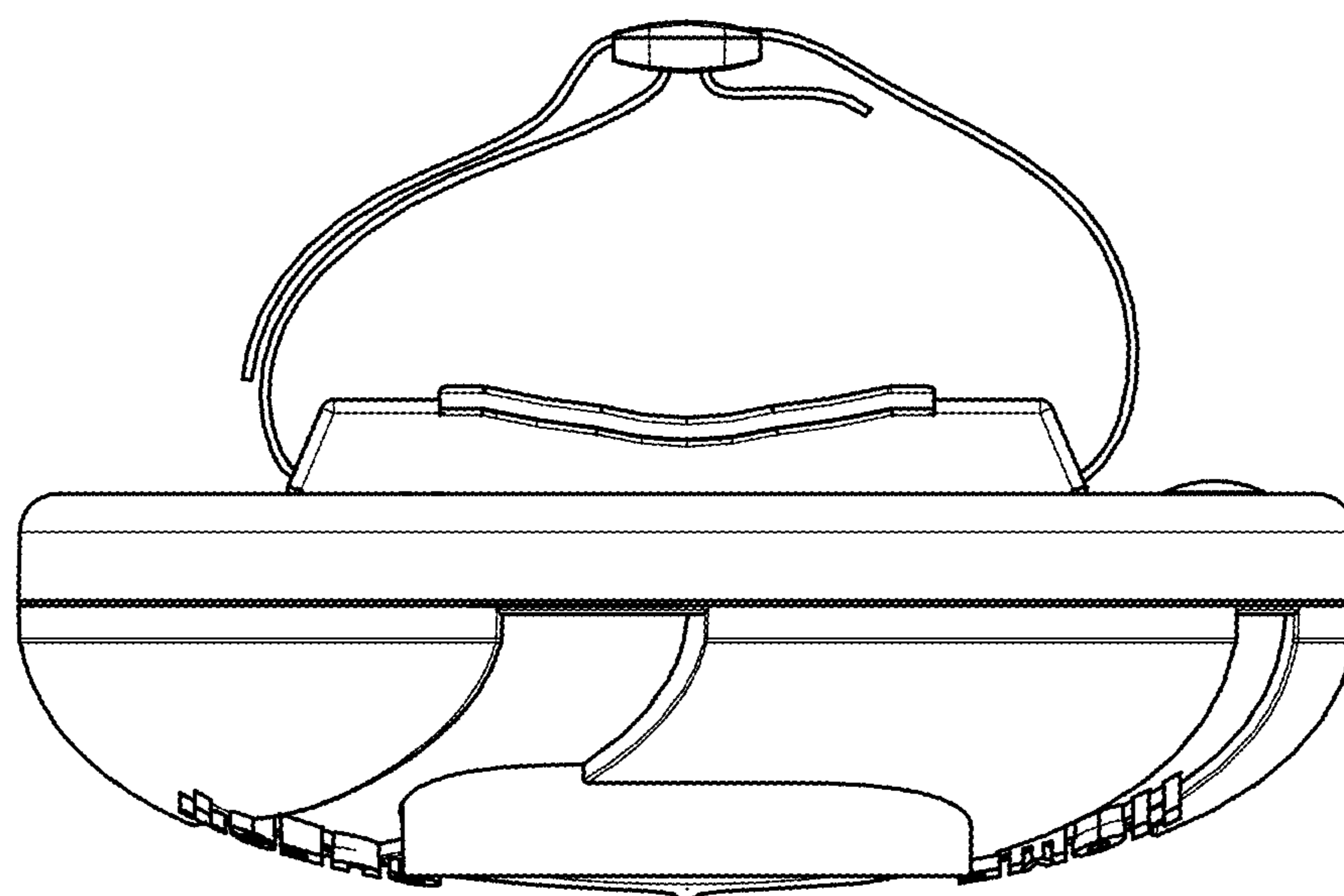


Fig. 6

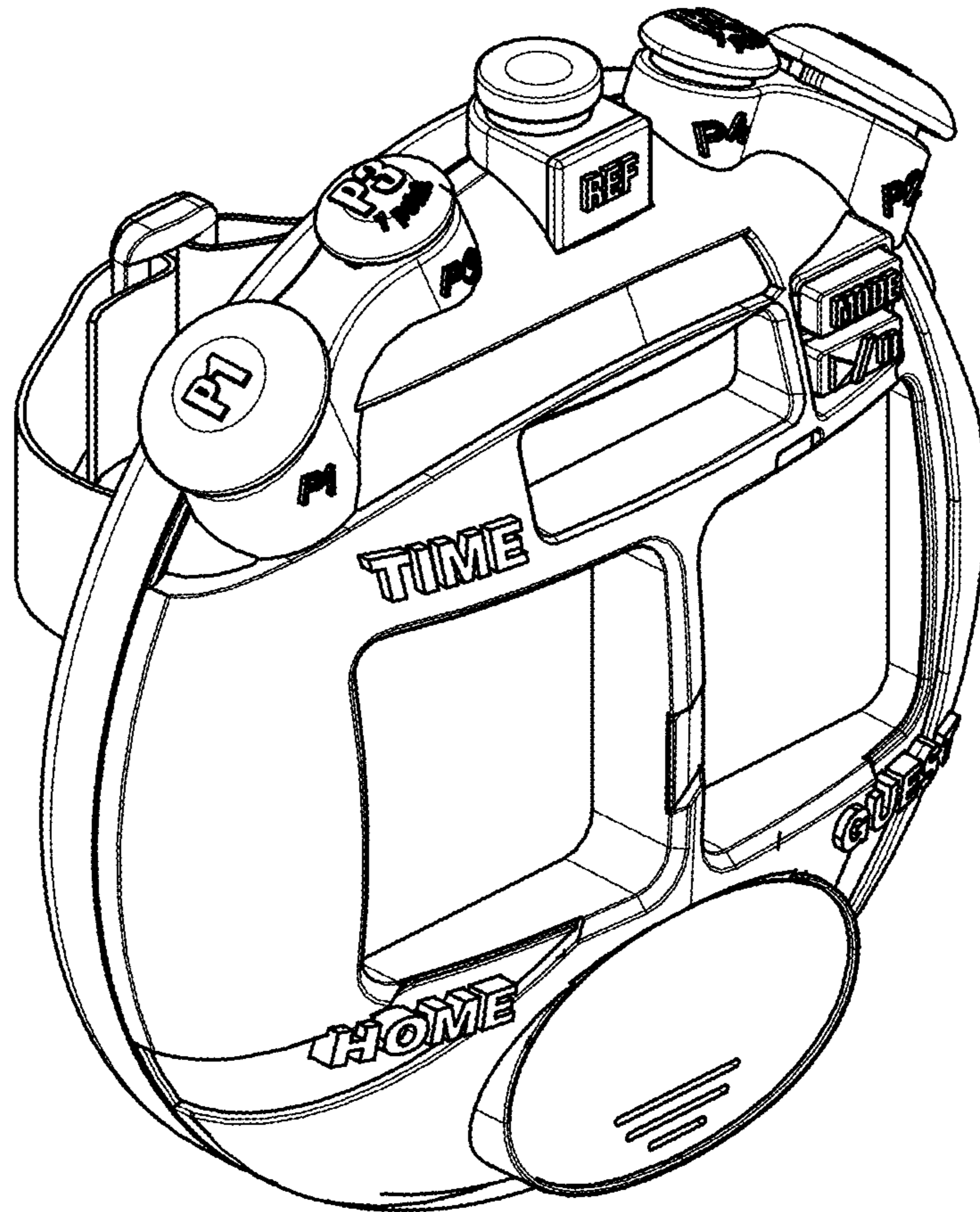


Fig. 7