



US00D696145S

(12) **United States Design Patent**  
**Stegmann et al.**

(10) **Patent No.:** **US D696,145 S**

(45) **Date of Patent:** **\*\* Dec. 24, 2013**

(54) **WATCH CASE**

(71) Applicant: **Glashütter Uhrenbetrieb GmbH**,  
Glashütte (DE)

(72) Inventors: **Katharina Stegmann**, Paulsdorf (DE);  
**Julia Schellenberg**, Dresden (DE)

(73) Assignee: **Glashütter Uhrenbetrieb GmbH**,  
Glashütte (DE)

(\*\*) Term: **14 Years**

(21) Appl. No.: **29/461,859**

(22) Filed: **Jul. 29, 2013**

(30) **Foreign Application Priority Data**

Jan. 29, 2013 (WO) ..... DM/080 030

(51) **LOC (9) Cl.** ..... **10-02**

(52) **U.S. Cl.**  
USPC ..... **D10/38**

(58) **Field of Classification Search**  
USPC ..... D10/30-39; 368/276, 281, 282, 285  
See application file for complete search history.

(56) **References Cited**

**U.S. PATENT DOCUMENTS**

D65,309 S *	7/1924	Strasser	.....	D10/38
D206,673 S *	1/1967	Federman	.....	D10/33
D264,946 S *	6/1982	Hirabayashi	.....	D10/38
D284,949 S *	8/1986	Kong	.....	D10/128
D319,027 S *	8/1991	Burgener	.....	D10/39
D329,386 S *	9/1992	Burgener	.....	D10/30
D329,611 S *	9/1992	Burgener	.....	D10/30
D340,414 S *	10/1993	DeGraeve	.....	D10/39
D353,544 S *	12/1994	Reich	.....	D10/32
D382,494 S *	8/1997	Wunderman	.....	D10/32
D434,676 S *	12/2000	Pequignet	.....	D10/32

D500,682 S *	1/2005	Lalo	.....	D10/30
D504,332 S *	4/2005	Chodat	.....	D10/39
D512,654 S *	12/2005	Scheufele	.....	D10/39
D514,959 S *	2/2006	Deleskiewicz	.....	D10/32
D519,853 S *	5/2006	Sirmakes	.....	D10/32
D531,063 S *	10/2006	Reginelli	.....	D10/32
D533,088 S *	12/2006	Bedat	.....	D10/39
D533,089 S *	12/2006	Arabo	.....	D10/39
D555,519 S *	11/2007	Borraccino et al.	.....	D10/39
D588,945 S *	3/2009	Arabo	.....	D10/39
D614,973 S *	5/2010	Takahashi	.....	D10/32
D627,242 S *	11/2010	Jeanneret	.....	D10/39
D634,216 S *	3/2011	Clare	.....	D10/38
D646,184 S *	10/2011	Duport et al.	.....	D10/39
D650,297 S *	12/2011	Duport et al.	.....	D10/39
D656,044 S *	3/2012	Favre	.....	D10/38

**OTHER PUBLICATIONS**

U.S. Appl. No. 29/461,847, filed Jul. 29, 2013 for WATCH CASE, inventors Katharina Stegmann and Julia Schellenberg.

U.S. Appl. No. 29/461,864, filed Jul. 29, 2013 for WATCH DIAL, inventors Katharina Stegmann and Julia Schellenberg.

\* cited by examiner

*Primary Examiner* — Lucy Lieberman

(74) *Attorney, Agent, or Firm* — Donald J. Ranft; Collen IP

(57) **CLAIM**

The ornamental design for a watch case, as shown.

**DESCRIPTION**

FIG. 1 is a front right perspective view of a watch case showing our new design;

FIG. 2 is a front view thereof;

FIG. 3 is a rear view thereof;

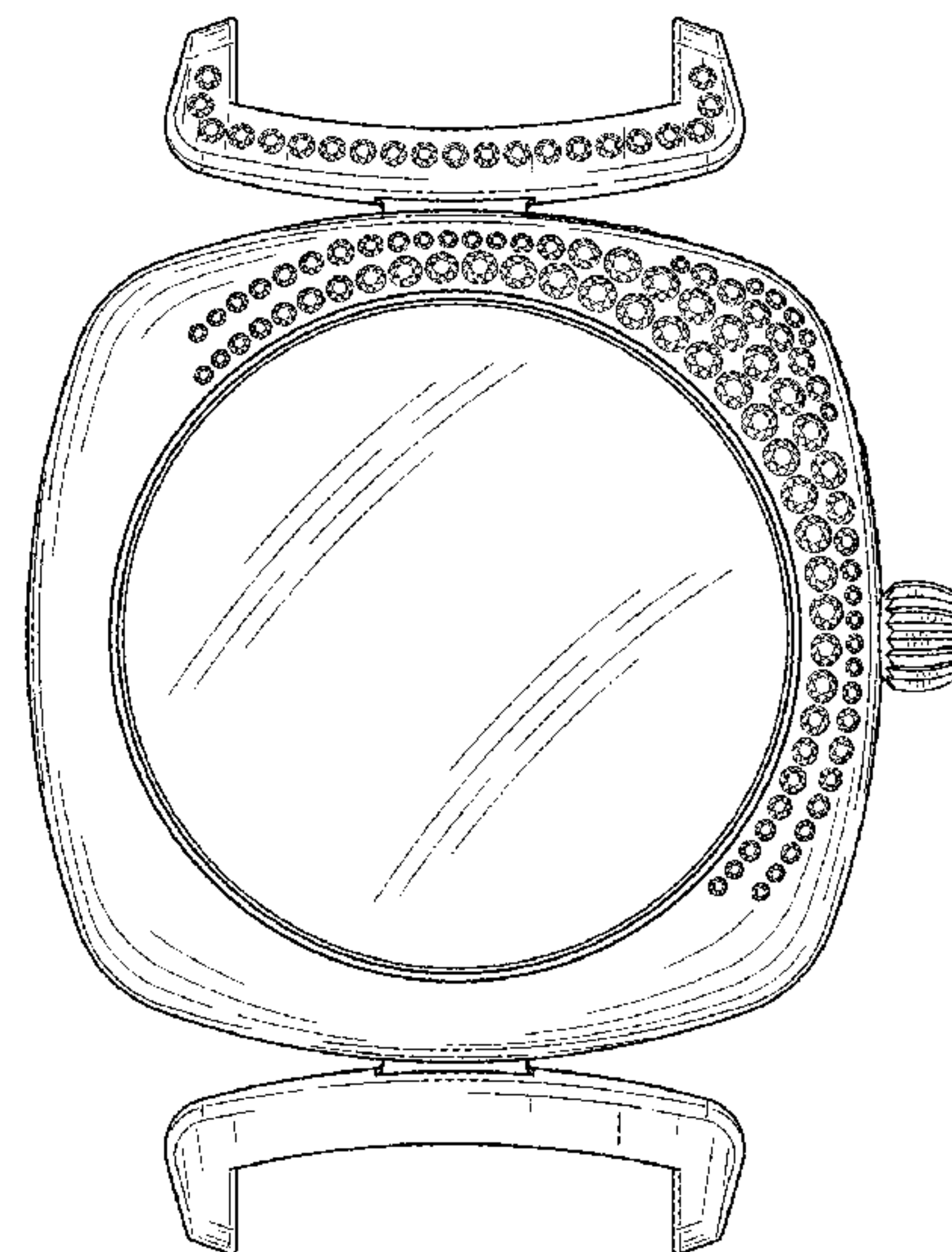
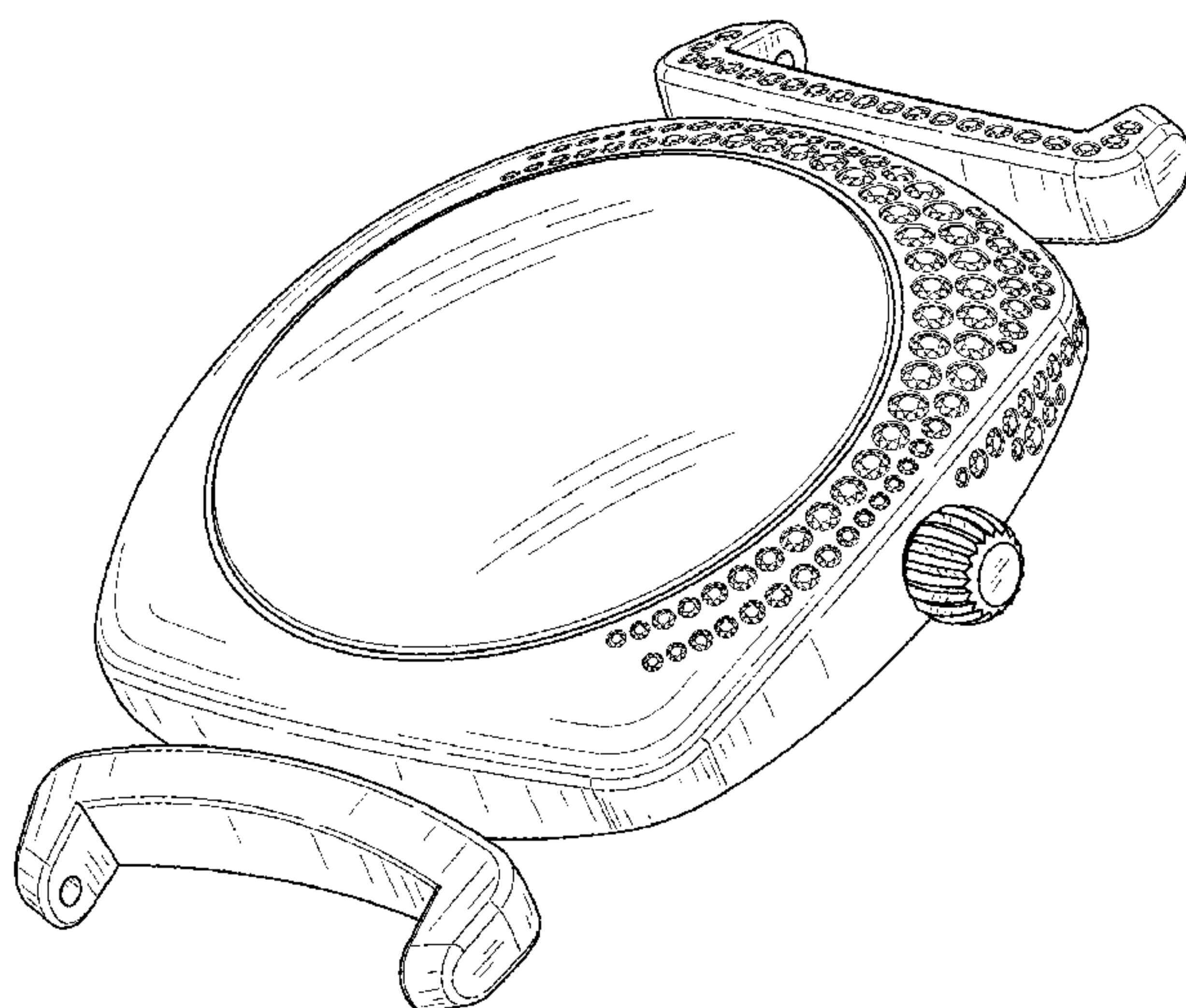
FIG. 4 is a left side view thereof;

FIG. 5 is a right side view thereof;

FIG. 6 is a top view thereof; and,

FIG. 7 is a bottom view thereof.

**1 Claim, 3 Drawing Sheets**



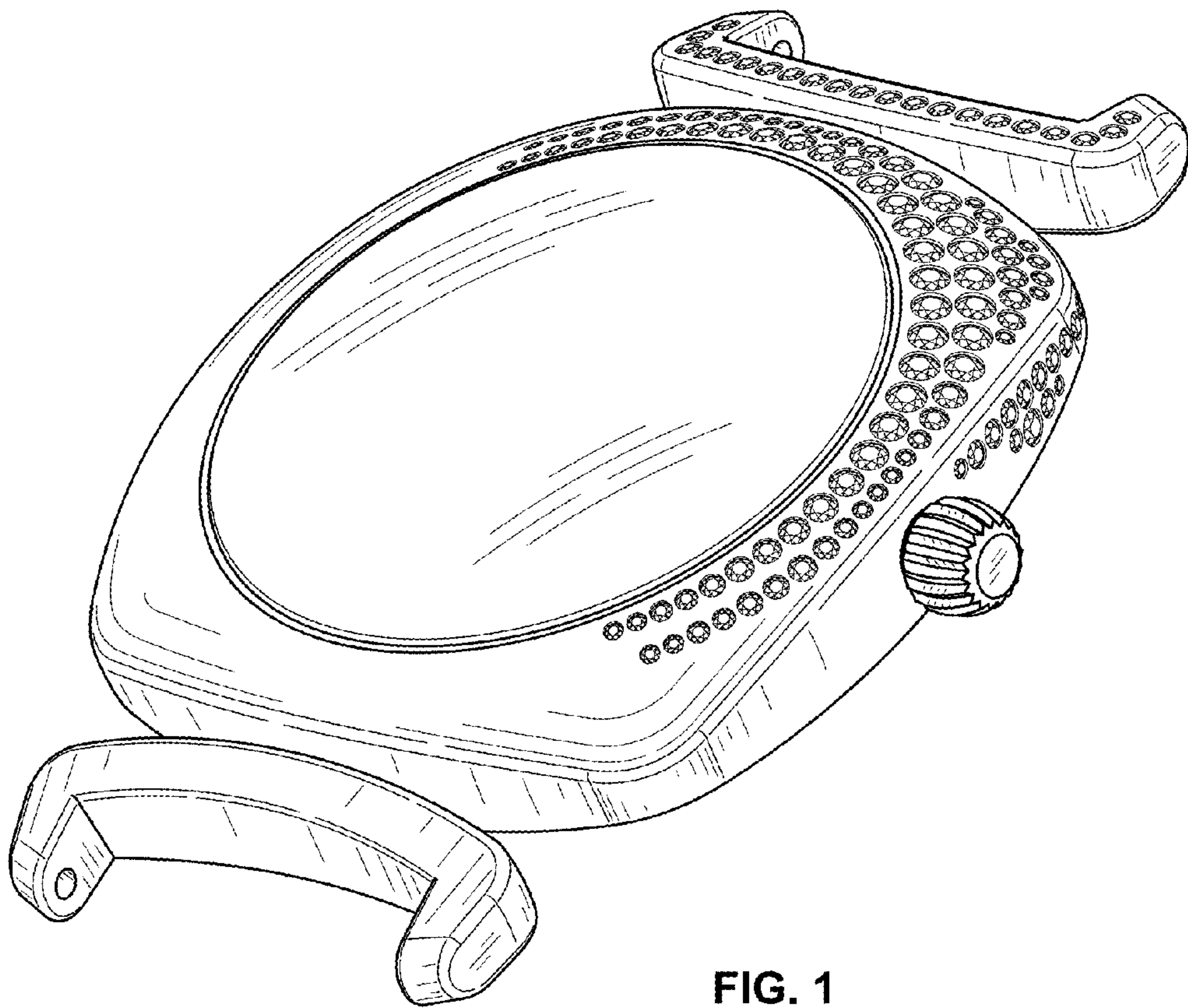


FIG. 1



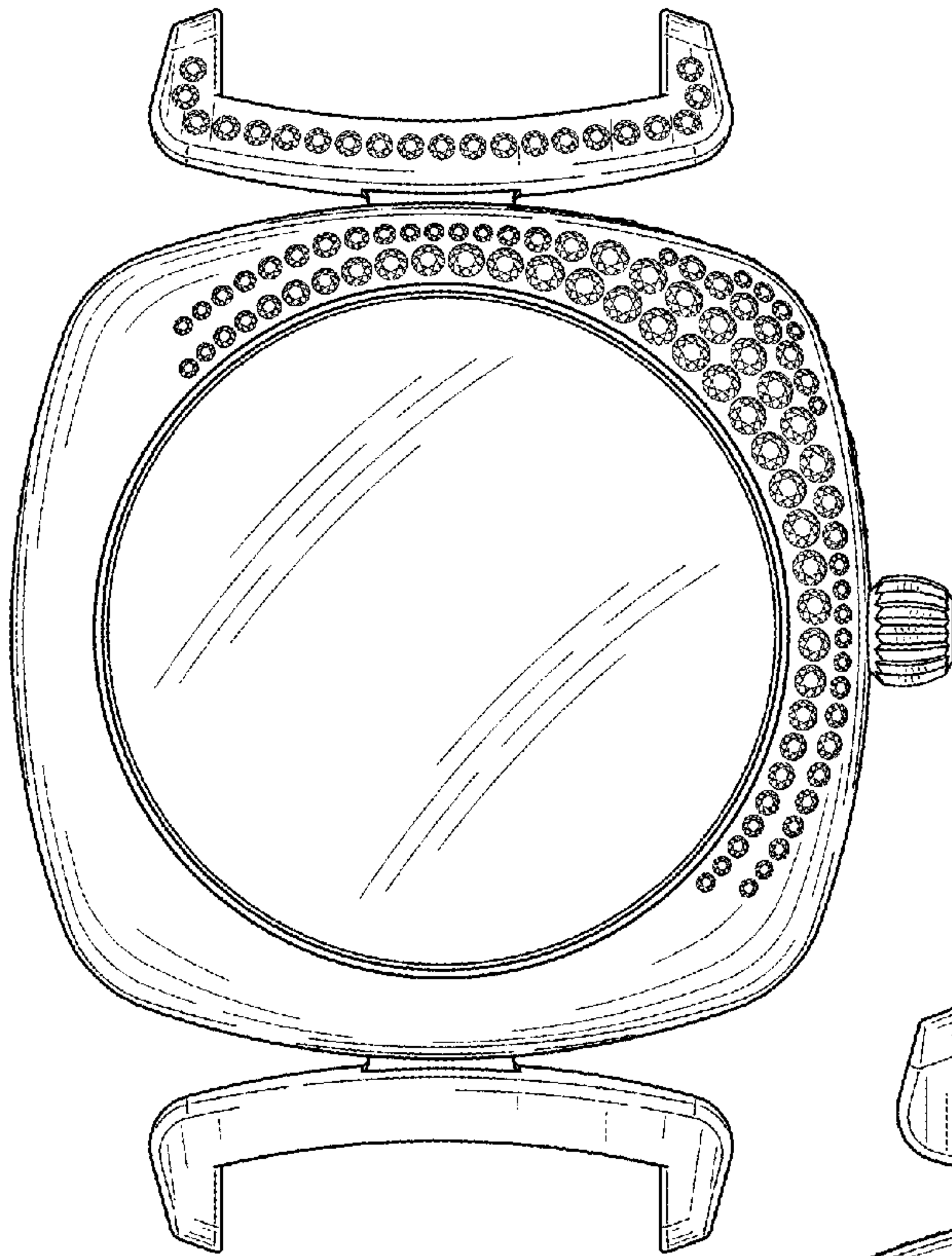


FIG. 2

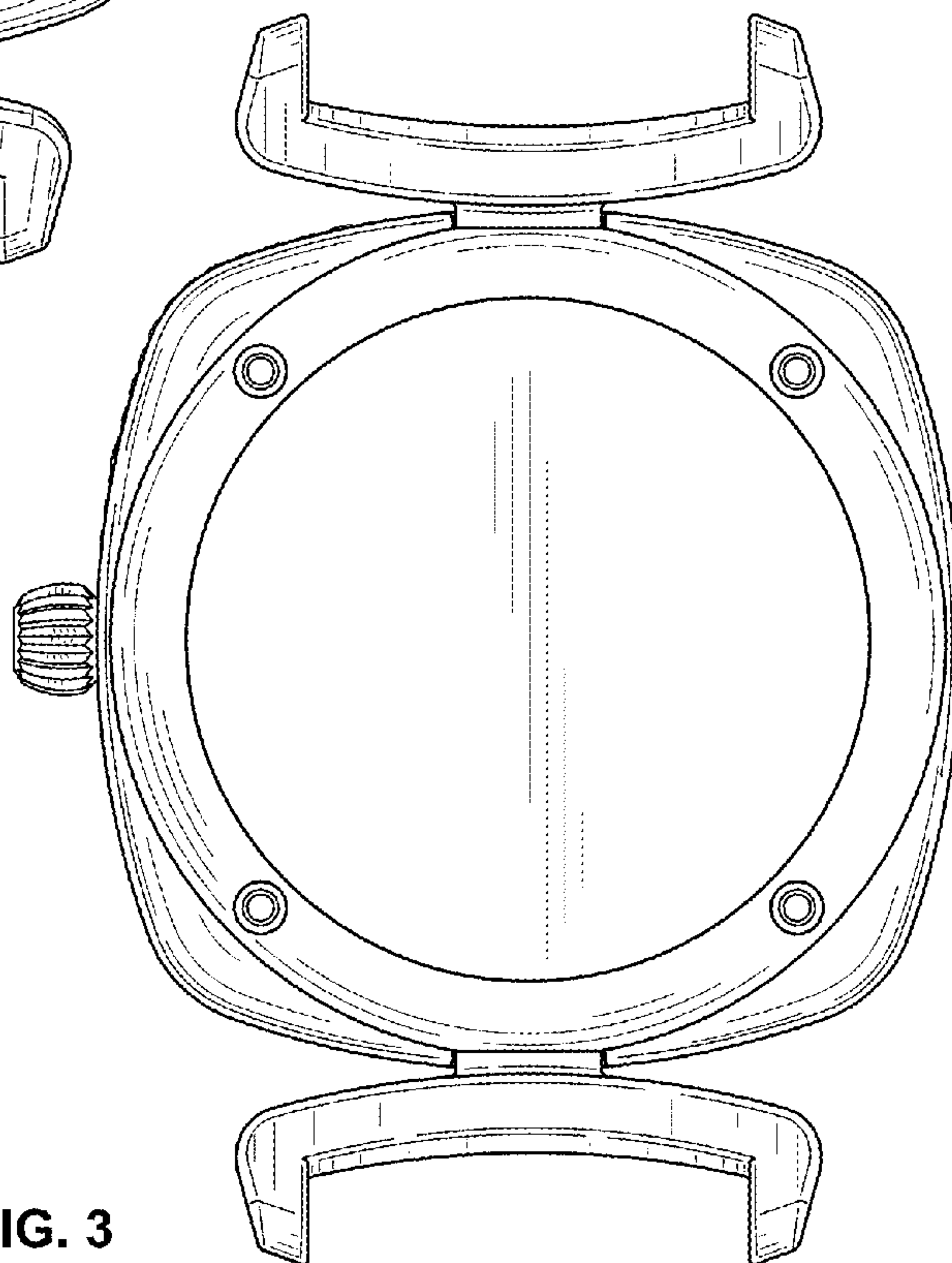


FIG. 3

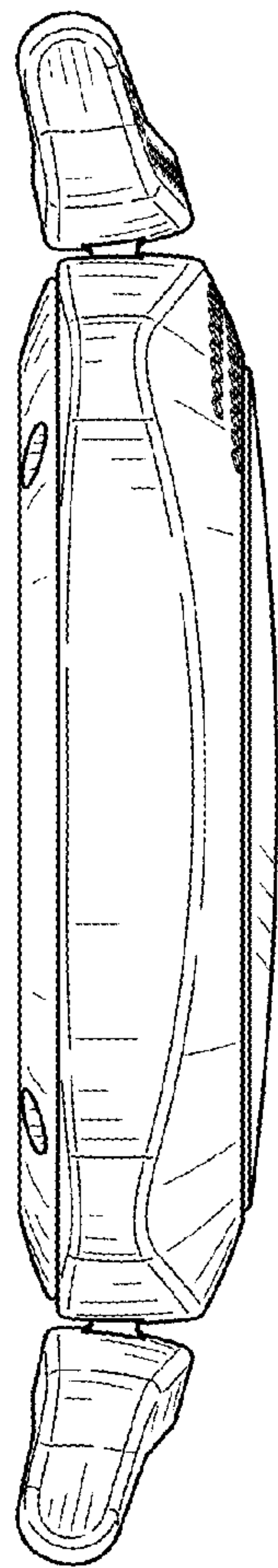


FIG. 4

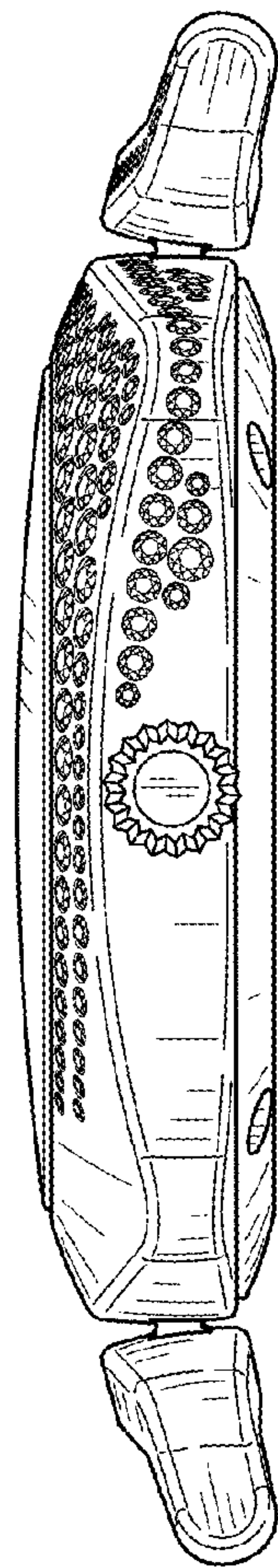


FIG. 5

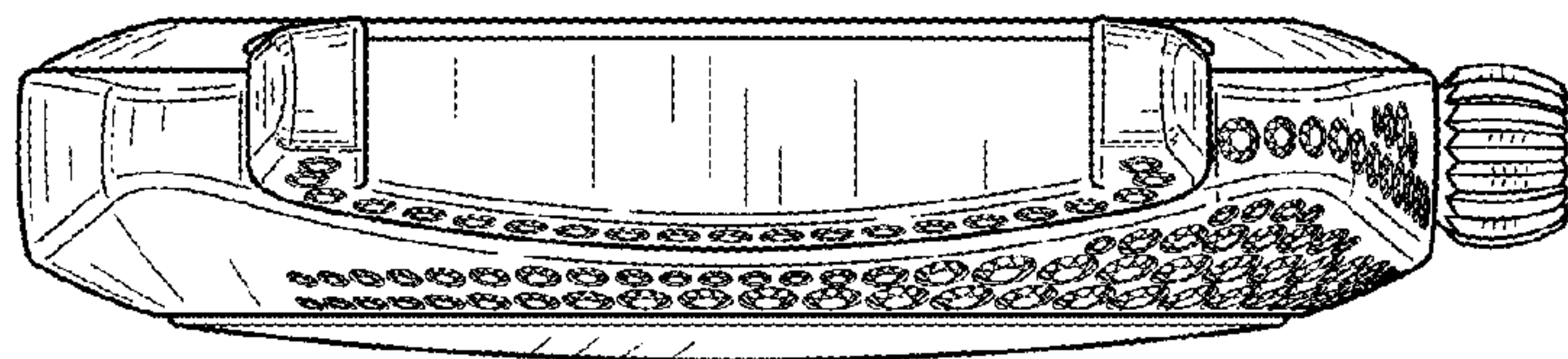


FIG. 6

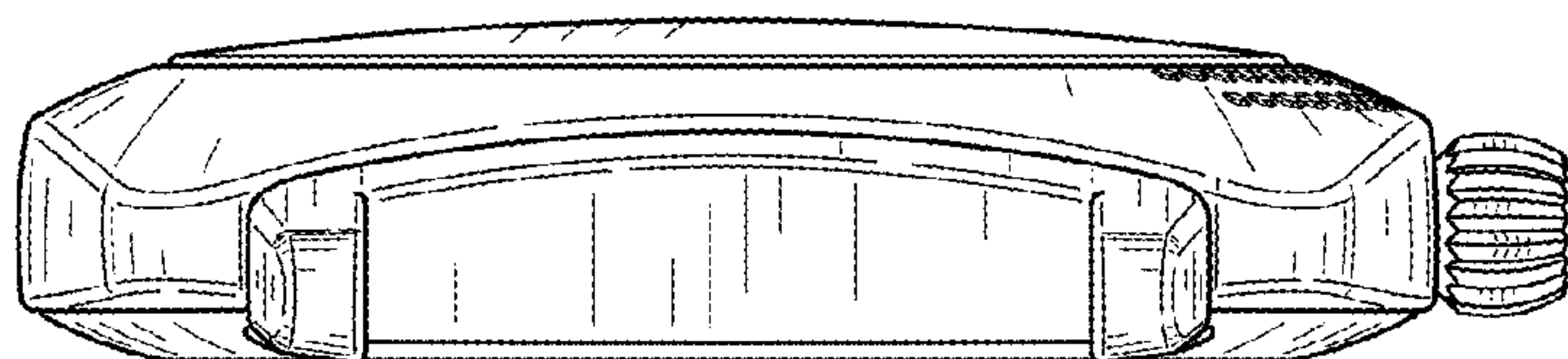


FIG. 7