

US00D696143S

(12) **United States Design Patent**
Garbow

(10) **Patent No.:** **US D696,143 S**

(45) **Date of Patent:** **** Dec. 24, 2013**

(54) **STAND-UP BAG WITH ZIPPER AND INTEGRAL HANDLES**

(71) Applicant: **Hanh Thi Tuyet Garbow**, Atlanta, GA (US)

(72) Inventor: **Hanh Thi Tuyet Garbow**, Atlanta, GA (US)

(**) Term: **14 Years**

(21) Appl. No.: **29/442,870**

(22) Filed: **Jun. 4, 2013**

(51) **LOC (9) Cl.** **09-05**

(52) **U.S. Cl.**
USPC **D9/705**

(58) **Field of Classification Search**
USPC D9/702-714, 430-434, 423, 499;
D3/303, 202, 205, 221, 226, 246, 240;
383/6, 105-120, 127, 10; 220/915.1,
220/915.2, 592.01, 773, 755; D7/601,
D7/605-607, 709-710, 393, 394, 395;
206/139, 428, 488; 229/117.19, 116.5,
229/923, 87.03, 87.18, 87.19, 117.09;
D8/303, 315; 493/226; 215/399, 396;
150/100, 107; 2/69.5

See application file for complete search history.

(56) **References Cited**

U.S. PATENT DOCUMENTS

D241,321 S * 9/1976 Paige D9/704
D244,914 S * 7/1977 Nicol D9/704
D261,154 S * 10/1981 Thresher D19/4

D343,288 S * 1/1994 Chao D3/290
D471,089 S * 3/2003 Schweky D9/704
D490,301 S * 5/2004 Townsend D9/704
D494,853 S * 8/2004 Chan D9/704
D502,314 S * 3/2005 Cassegrain D3/246
D510,265 S * 10/2005 Man D9/434
D555,008 S * 11/2007 Gattino D9/702
D569,266 S * 5/2008 Wouters et al. D9/704
D576,500 S * 9/2008 Kim et al. D9/703
D650,272 S * 12/2011 Durham D9/432

* cited by examiner

Primary Examiner — Caron D Veynar

Assistant Examiner — Abraham Bahta

(74) *Attorney, Agent, or Firm* — Hilary W. Hunter; Isenberg & Hewitt, P.C.

(57) **CLAIM**

The ornamental design for a stand-up bag with zipper and integral handles, as shown and described.

DESCRIPTION

FIG. 1 is an isometric view of the stand-up bag with zipper and integral handles showing my new design, the bag shown with no specific length;

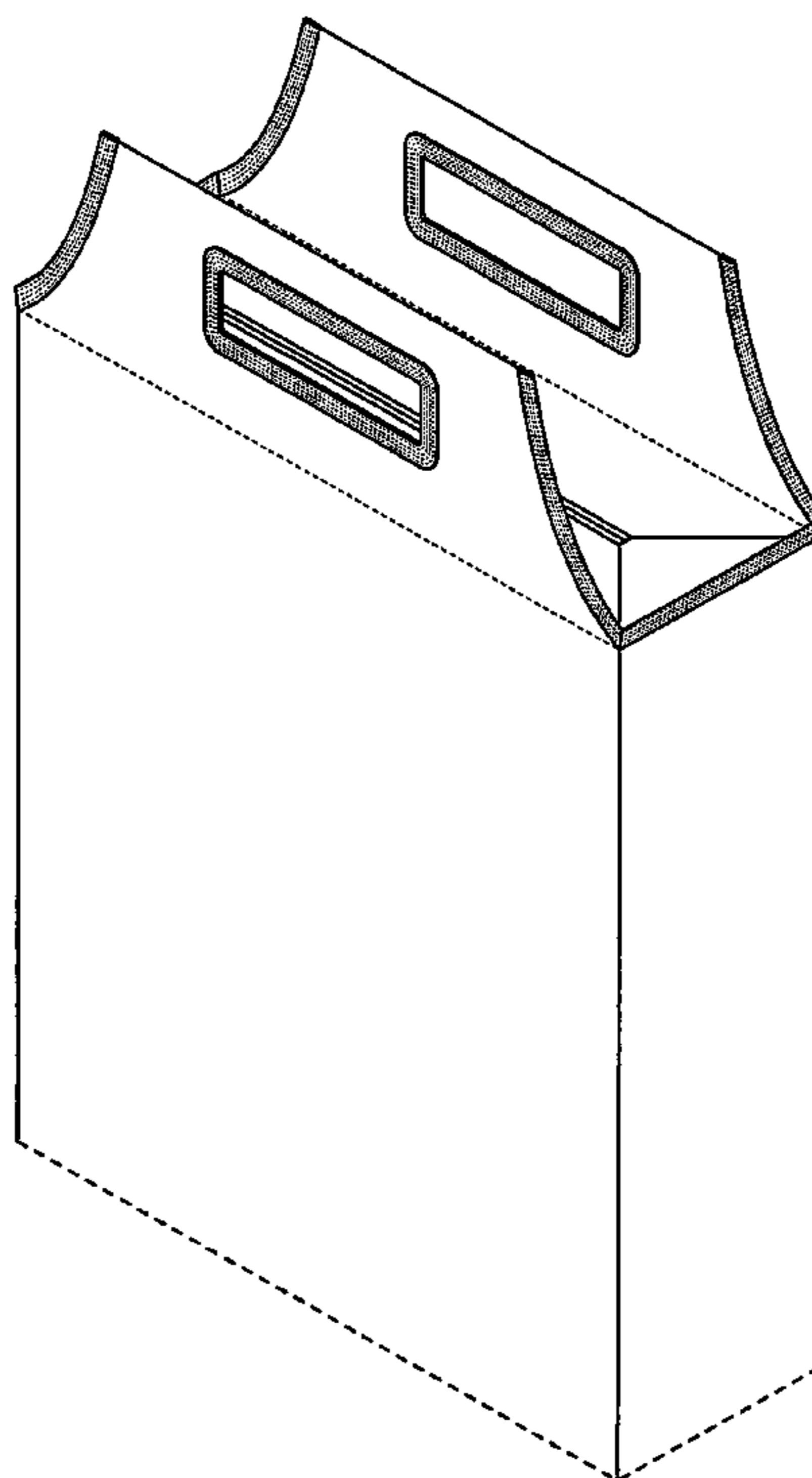
FIG. 2 is an end elevation view, the opposite end view being a mirror image thereof;

FIG. 3 is a side elevation view, the opposite side view being a mirror image thereof; and,

FIG. 4 is a top plan view thereof.

Broken lines throughout the figures form no part of the claimed design.

1 Claim, 2 Drawing Sheets



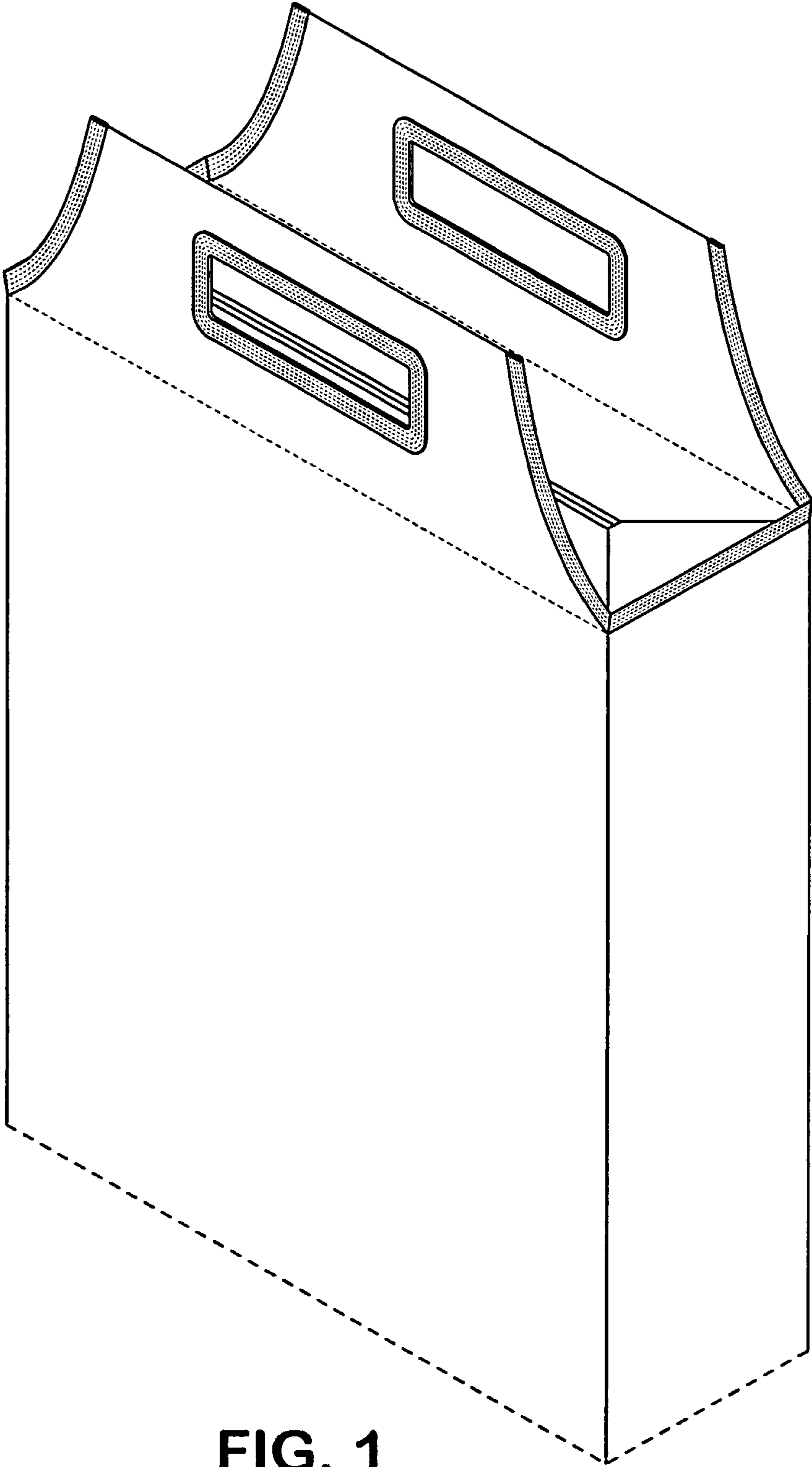


FIG. 1

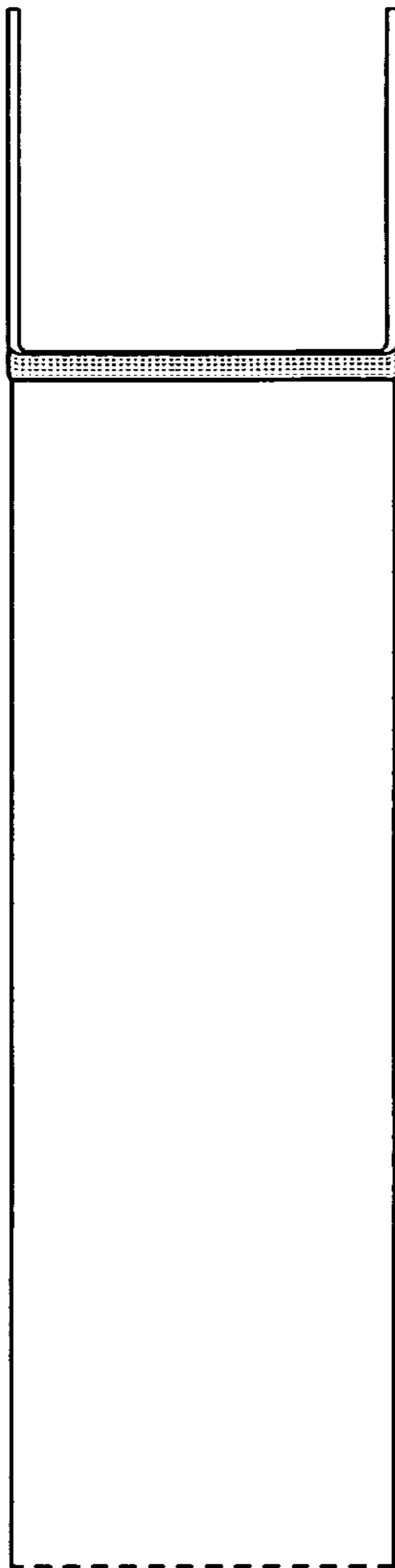


FIG. 2

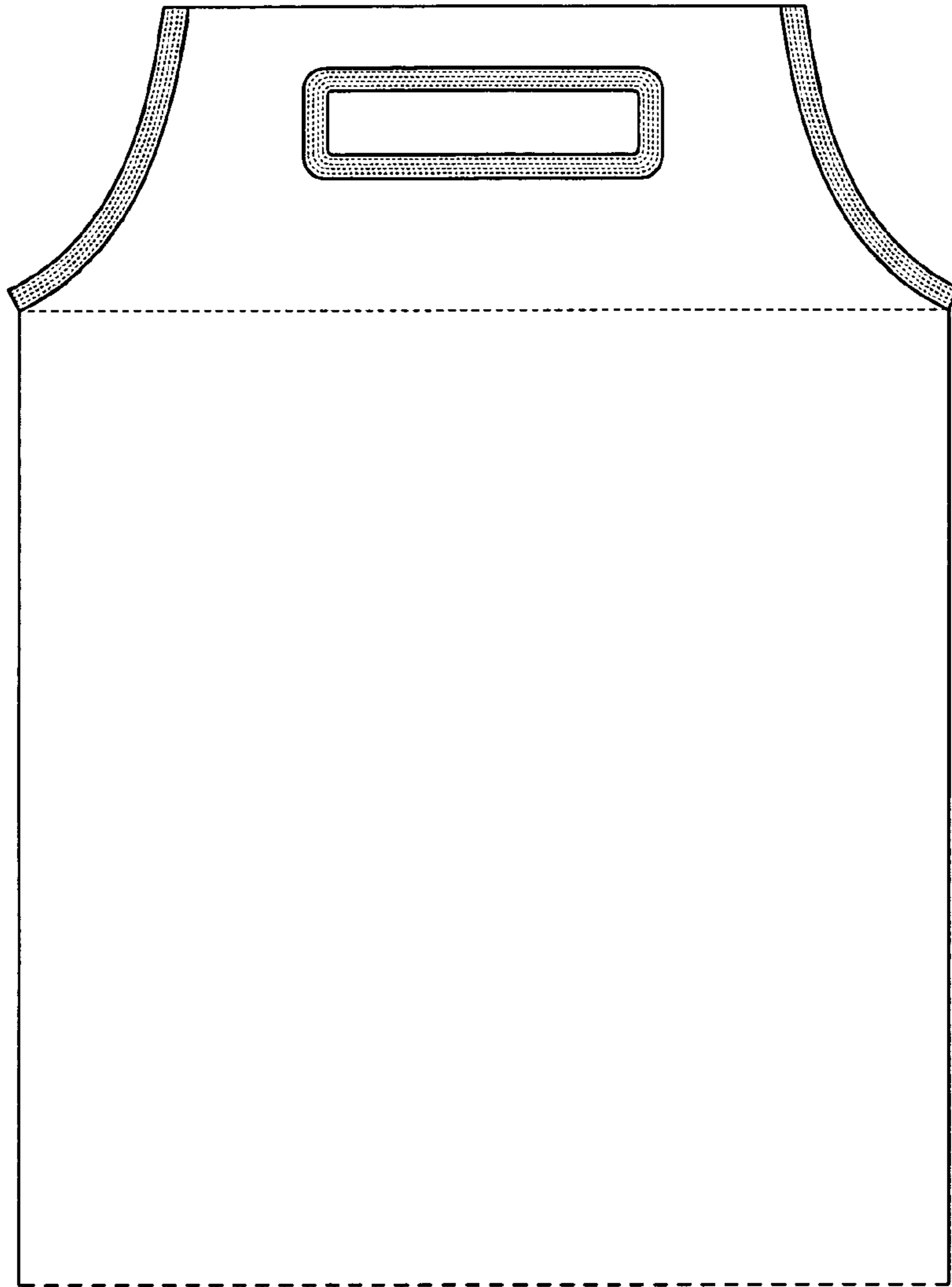


FIG. 3

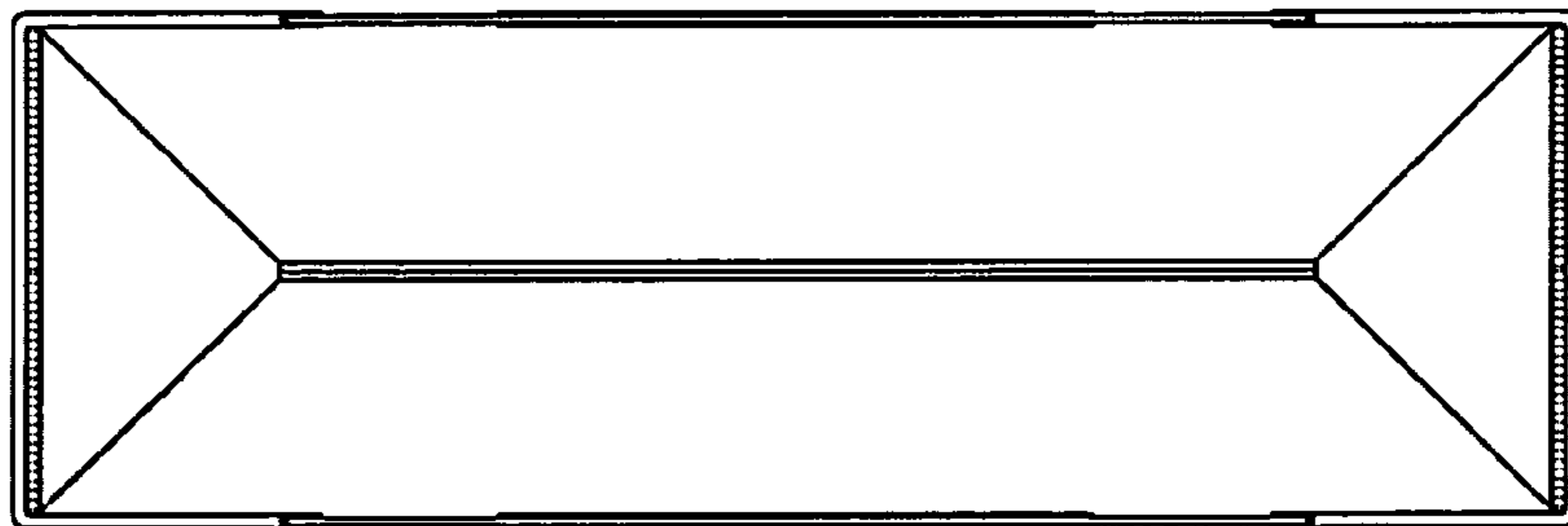


FIG. 4