



US00D696140S

(12) **United States Design Patent**
Servaire

(10) **Patent No.:** **US D696,140 S**
(45) **Date of Patent:** **** Dec. 24, 2013**

(54) **FLASK FOR COSMETIC**

(75) Inventor: **Sébastien Servaire**, Paris (FR)

(73) Assignee: **Guerlain Societe Anonyme**, Paris (FR)

(**) Term: **14 Years**

(21) Appl. No.: **29/426,827**

(22) Filed: **Jul. 11, 2012**

(30) **Foreign Application Priority Data**

Jan. 13, 2012 (EM) 001310015-0001

(51) **LOC (9) Cl.** **09-01**

(52) **U.S. Cl.**

USPC **D9/686; D9/687**

(58) **Field of Classification Search**

USPC D9/500-505, 682-694, 600-681,
D9/516-575, 434-454, 719, 723-729;
222/153.01, 153.03, 153.04, 153.09,
222/153.11-153.14, 182, 631, 635,
222/321.7-321.9, 372, 373, 378, 379,
222/383.1, 384-386, 398, 400.7, 400.8,
222/401, 402.1-402.25; 215/379-384;
220/662, 665, 669-675

See application file for complete search history.

(56) **References Cited**

U.S. PATENT DOCUMENTS

3,450,313 A * 6/1969 Jonas 222/402.13
D239,596 S * 4/1976 Dogliotti D9/629
D291,782 S * 9/1987 O'Neil et al. D9/448
D307,542 S * 5/1990 De Montgailhard D9/687
D402,542 S * 12/1998 Meshberg D9/688
D446,684 S * 8/2001 Price D7/509
6,318,595 B1 * 11/2001 Walters 222/1
D506,930 S * 7/2005 Cauwood et al. D9/522
D555,877 S * 11/2007 Reinoso D9/687

D570,707 S * 6/2008 Blasko et al. D9/689
D589,350 S * 3/2009 Moriya D9/529
D608,219 S * 1/2010 Lecoule D9/689
D608,655 S * 1/2010 Brewer et al. D9/689
D615,410 S * 5/2010 Lett D9/522
D634,211 S * 3/2011 Kruezkamp et al. D9/687
D661,594 S * 6/2012 Renieris D9/534

FOREIGN PATENT DOCUMENTS

CN 300812185 * 8/2008
CN 300812186 * 8/2008
CN 301536316 * 5/2011
EM 000023114-0002 * 10/2003
EM 000059399-0001 * 12/2003
KR 300442298.0000 * 3/2007
KR 300443271.0000 * 3/2007
KR 300592338.0000 * 3/2011

* cited by examiner

Primary Examiner — Catherine Tuttle

(74) *Attorney, Agent, or Firm* — Stites & Harbison PLLC;
Douglas E. Jackson

(57)

CLAIM

The ornamental design for a flask for cosmetic, as shown and described.

DESCRIPTION

FIG. 1 is a front, top and left side perspective view of a flask for cosmetic showing the new design.

FIG. 2 is a back, top and left side perspective view thereof.

FIG. 3 is a front view thereof.

FIG. 4 is rear view thereof.

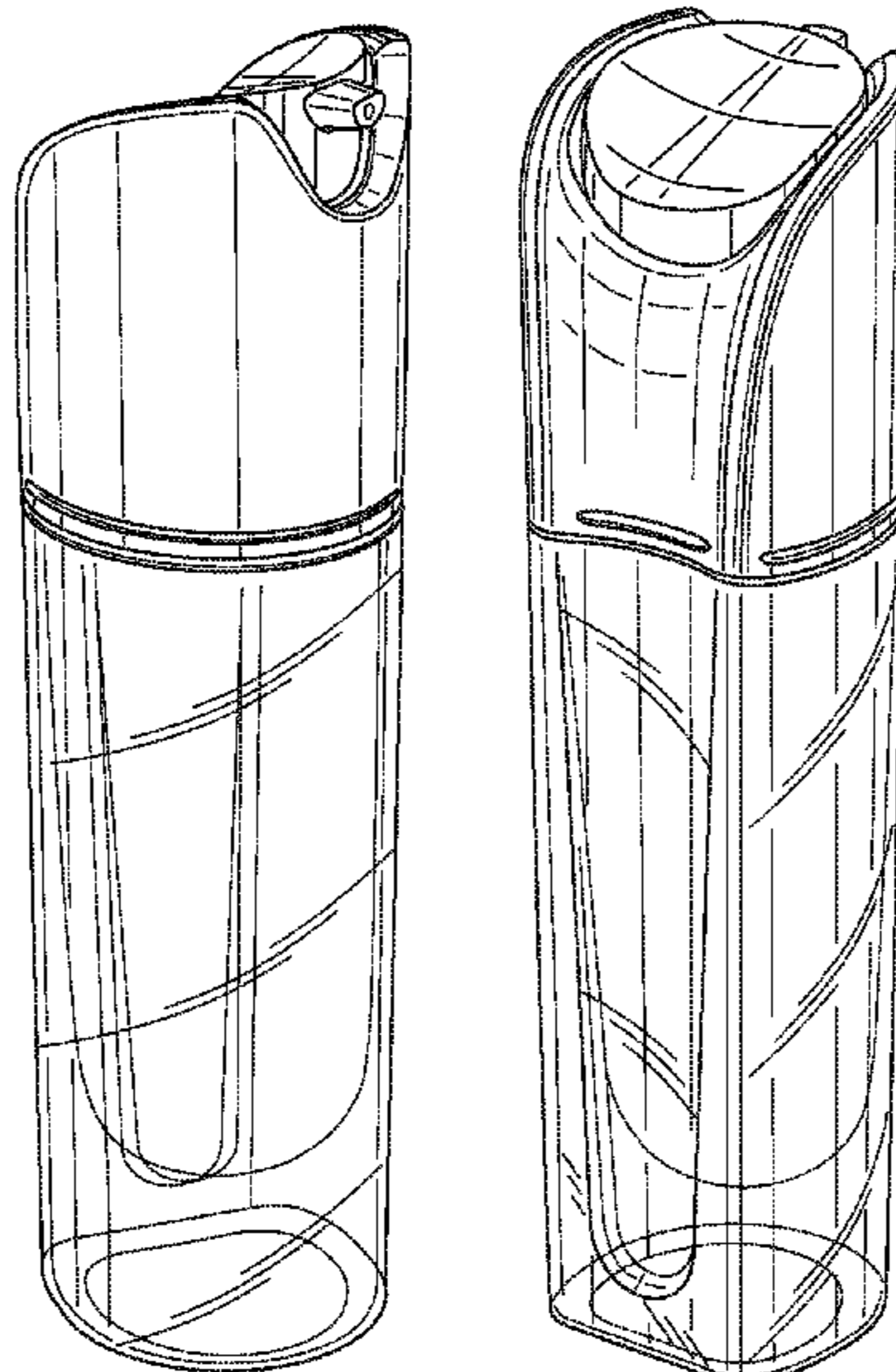
FIG. 5 is a left side view thereof, the right side view being a mirror image.

FIG. 6 a top view thereof; and,

FIG. 7 is a bottom view thereof.

The broken line in FIG. 7 illustrates a portion of the article that forms no part of the claimed design.

1 Claim, 6 Drawing Sheets



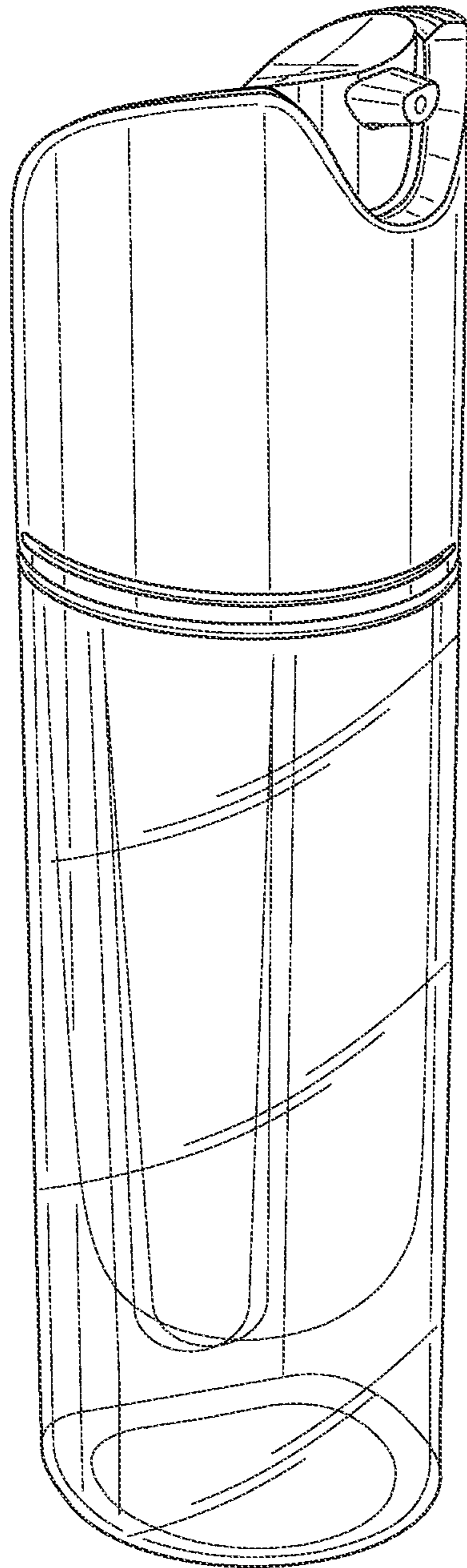


FIG. 1

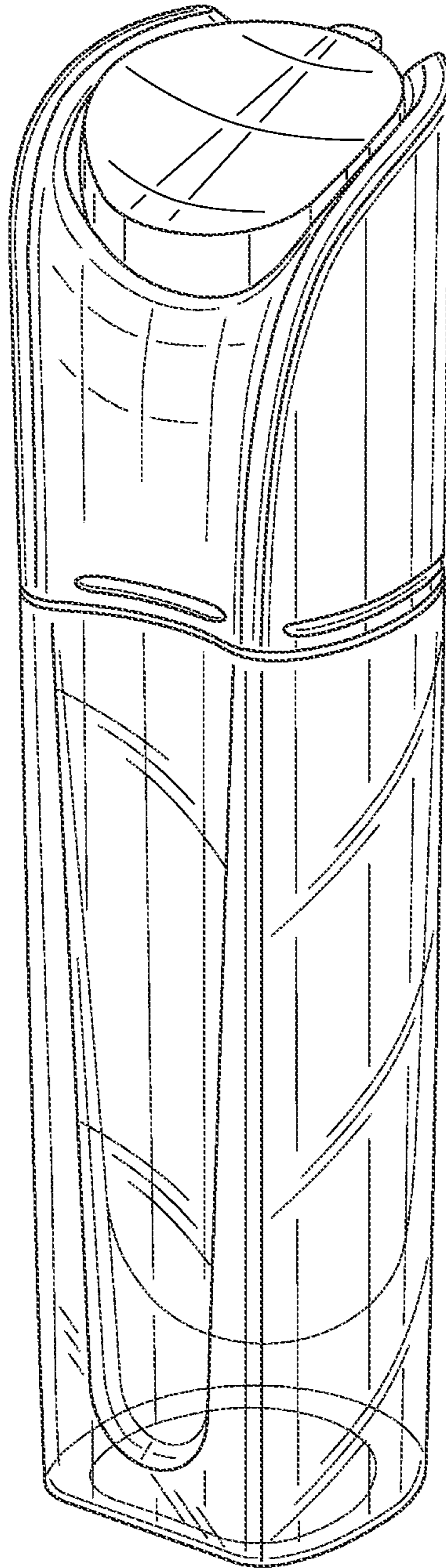


FIG. 2

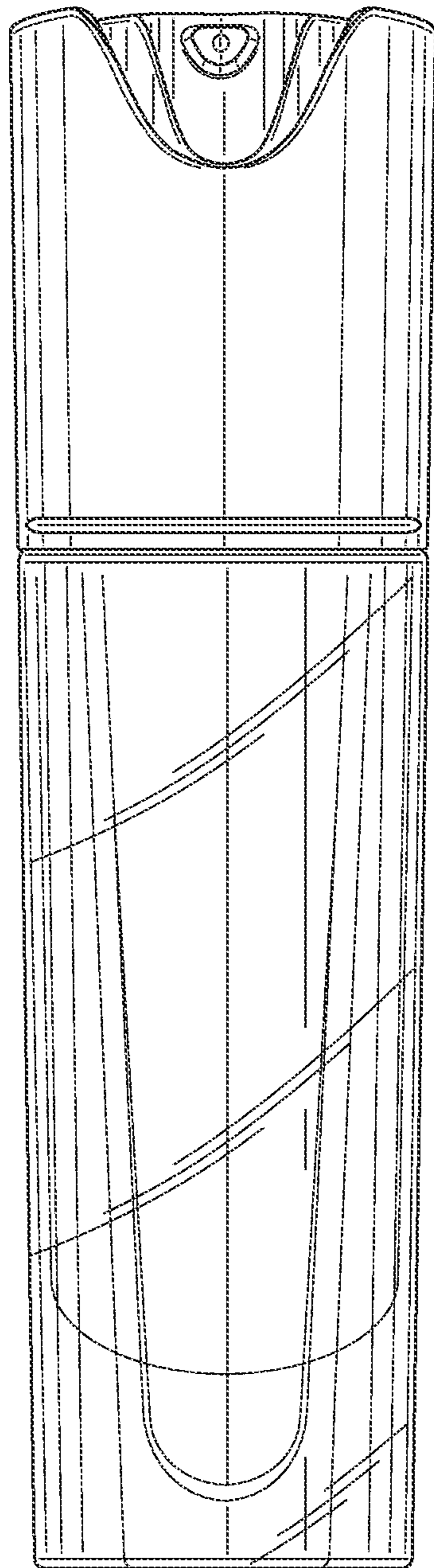


FIG. 3

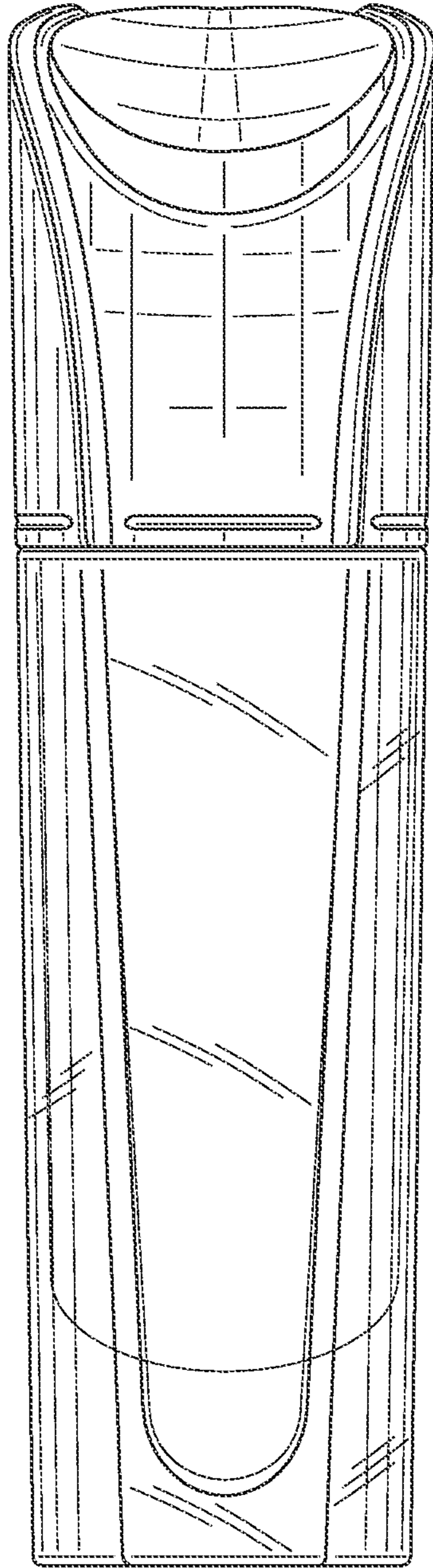


FIG. 4

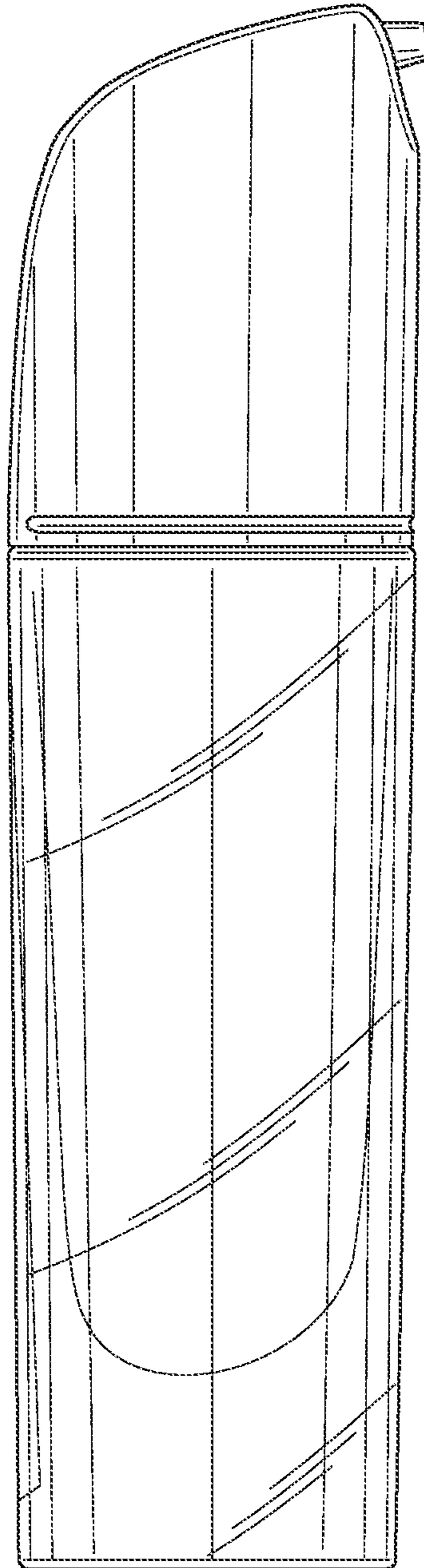


FIG. 5

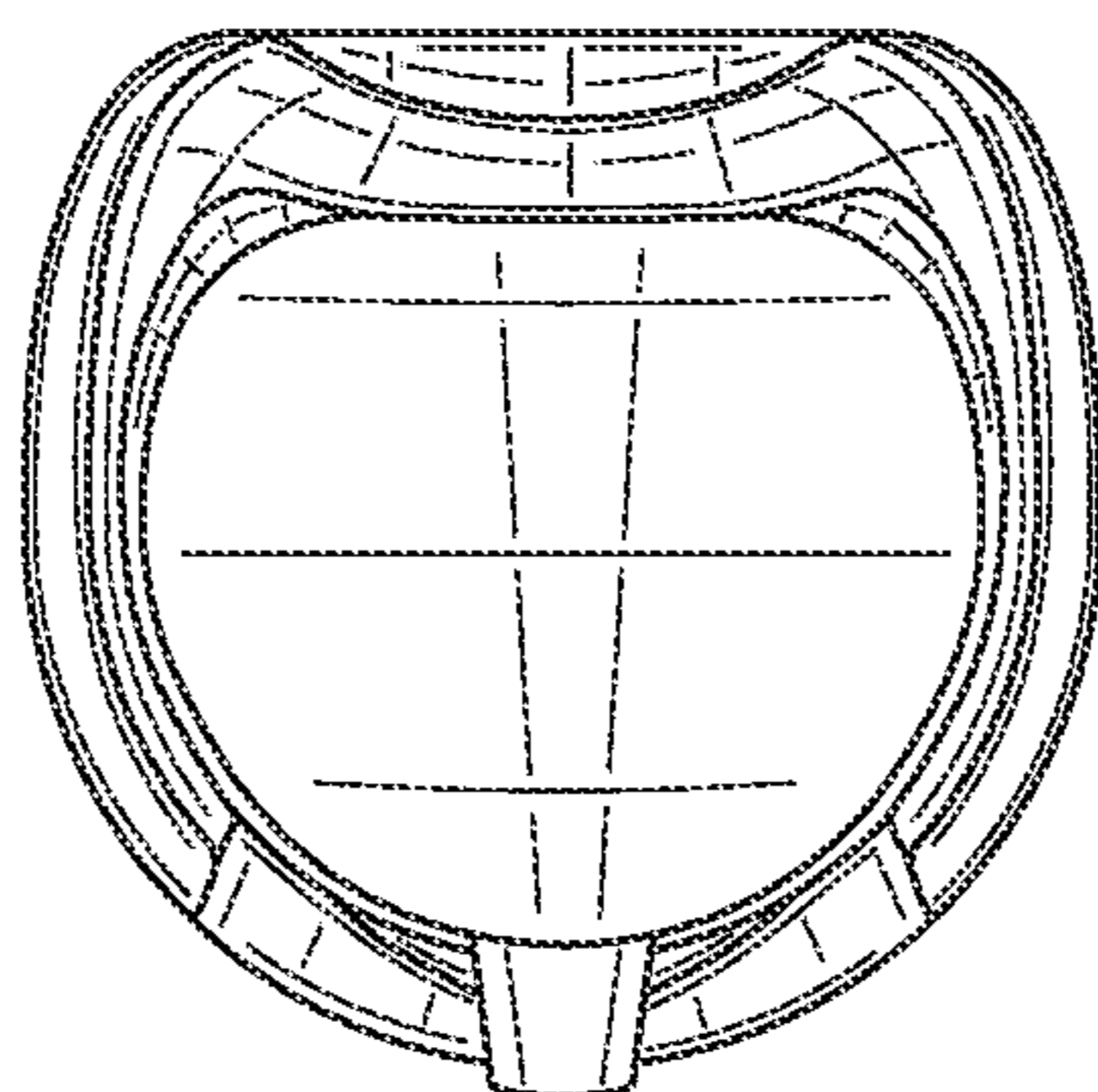


FIG. 6

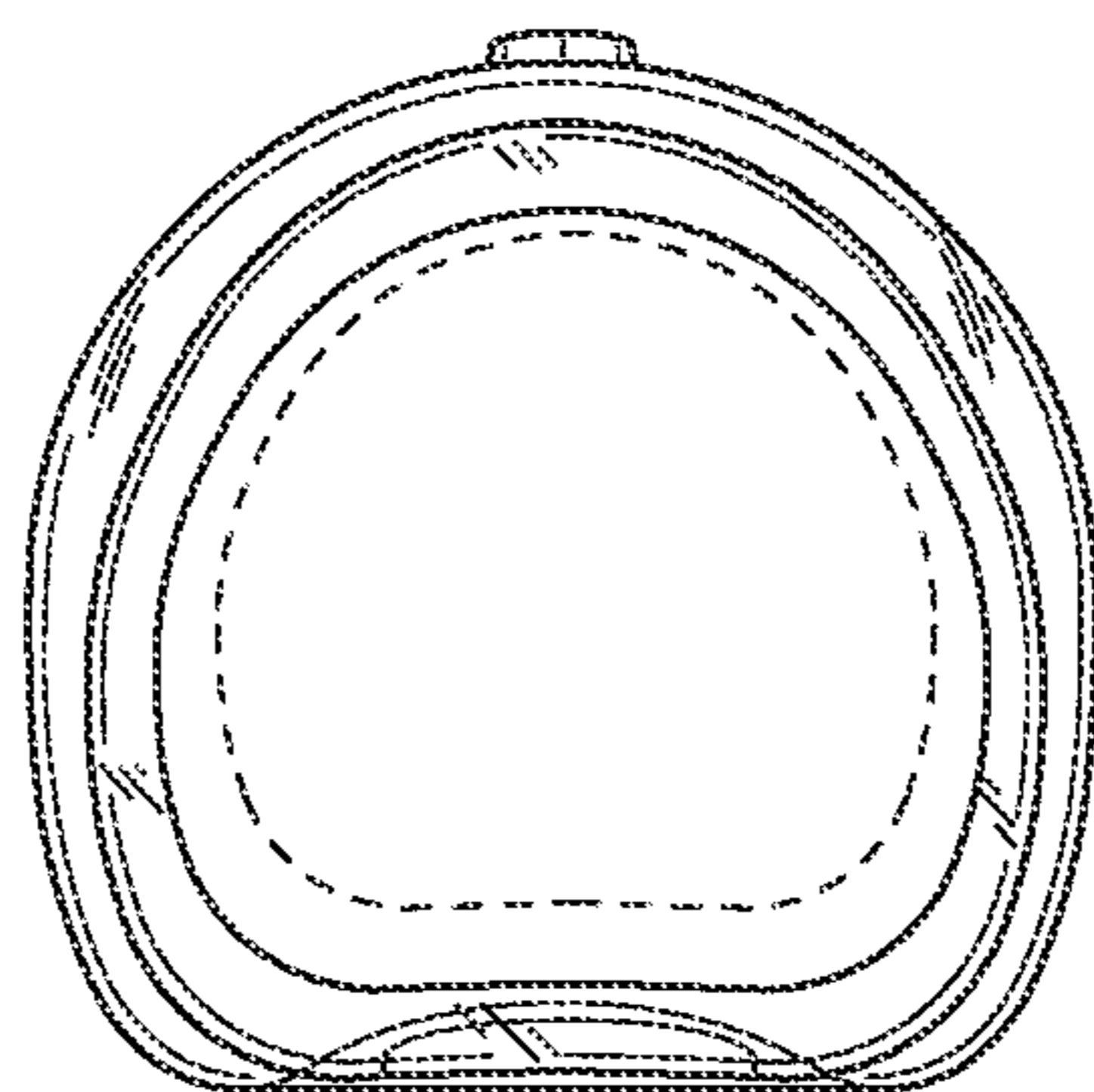


FIG. 7