

US00D696137S

(12) **United States Design Patent**
Bulens

(10) **Patent No.:** **US D696,137 S**

(45) **Date of Patent:** **** Dec. 24, 2013**

(54) **CONTAINER**

(71) Applicant: **Lynx Consulting B.V.B.A.**, Herent (BE)

(72) Inventor: **Frank Bulens**, Herent (BE)

(73) Assignee: **Lynx Consulting B.V.B.A.**, Herent (BE)

(**) Term: **14 Years**

(21) Appl. No.: **29/434,094**

(22) Filed: **Oct. 9, 2012**

(30) **Foreign Application Priority Data**

Apr. 10, 2012 (EM) 002022822-0001

(51) **LOC (9) Cl.** **09-01**

(52) **U.S. Cl.**
USPC **D9/638**; D21/510

(58) **Field of Classification Search**
USPC D9/600, 638; 229/116.1; 206/494, 457,
206/527; 220/890; 215/400; D7/514-518,
D7/604, 619.2, 623, 628; D21/510
See application file for complete search history.

(56) **References Cited**

U.S. PATENT DOCUMENTS

D38,315 S * 11/1906 Moon D9/638
D123,428 S * 11/1940 Buckingham D9/638
D154,199 S * 6/1949 Finkelstein D21/510
D188,135 S * 6/1960 Konig D9/638
D270,650 S * 9/1983 Erato D21/510
D350,995 S * 9/1994 Baxter et al. D21/510

D554,060 S * 10/2007 Park D21/510
D583,036 S * 12/2008 Nanda D21/510
D631,105 S * 1/2011 Cohen et al. D21/510

OTHER PUBLICATIONS

Virtual Tourist, Bordeaux Things to Do Tip by Mique, "Tour Pey-Berland" built in 1440, published Dec. 27, 2004.

* cited by examiner

Primary Examiner — Sandra Morris

(74) *Attorney, Agent, or Firm* — Banner & Witcoff, Ltd.

(57) **CLAIM**

The ornamental design for a container, as shown and described.

DESCRIPTION

FIG. 1 is a top, front, right perspective view of a container showing my new design;

FIG. 2 is a front view thereof;

FIG. 3 is a top view thereof;

FIG. 4 is a bottom view thereof;

FIG. 5 is a top, front, right perspective view of the container in an open configuration;

FIG. 6 is a top, front right perspective view of the upper portion of the container, shown separately for ease of illustration; and,

FIG. 7 is a top, front, right perspective view of the bottom portion of the container, shown separately for ease of illustration.

The broken lines shown in FIG. 5 and FIG. 7 are for environmental purposes only and form no part of the claimed design.

1 Claim, 7 Drawing Sheets

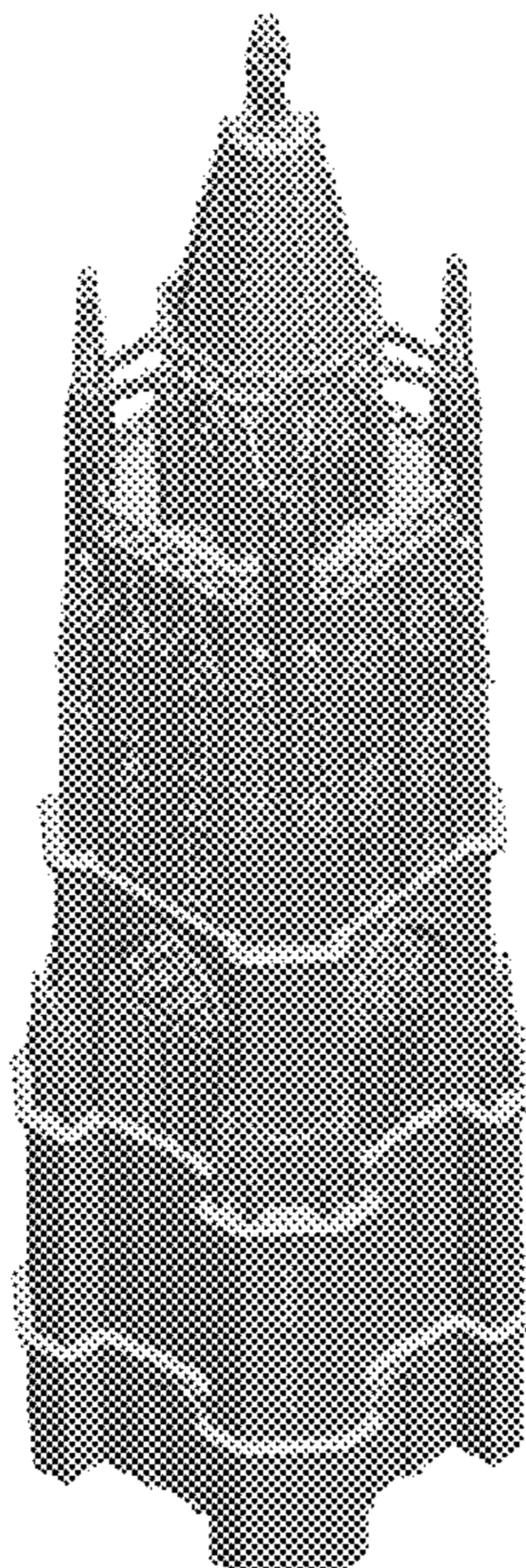


FIG. 1

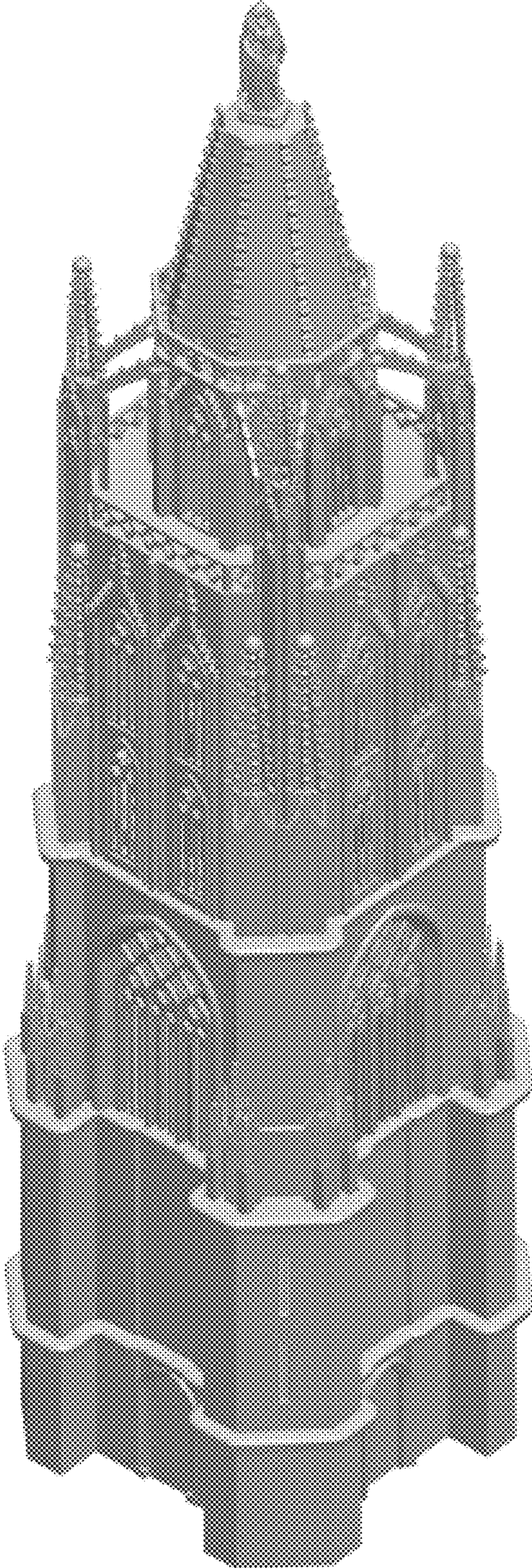
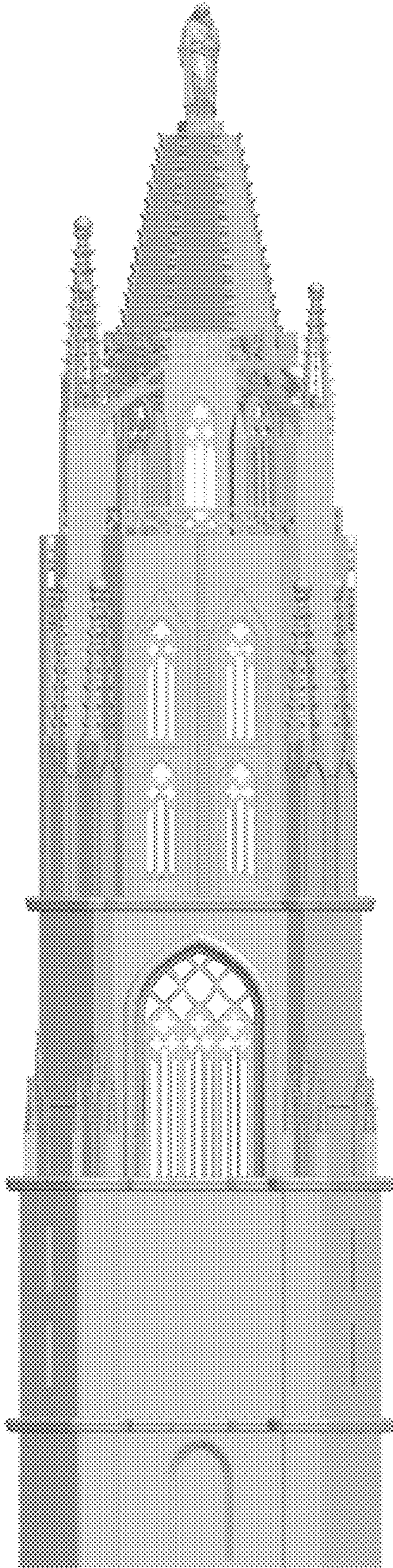


FIG. 2



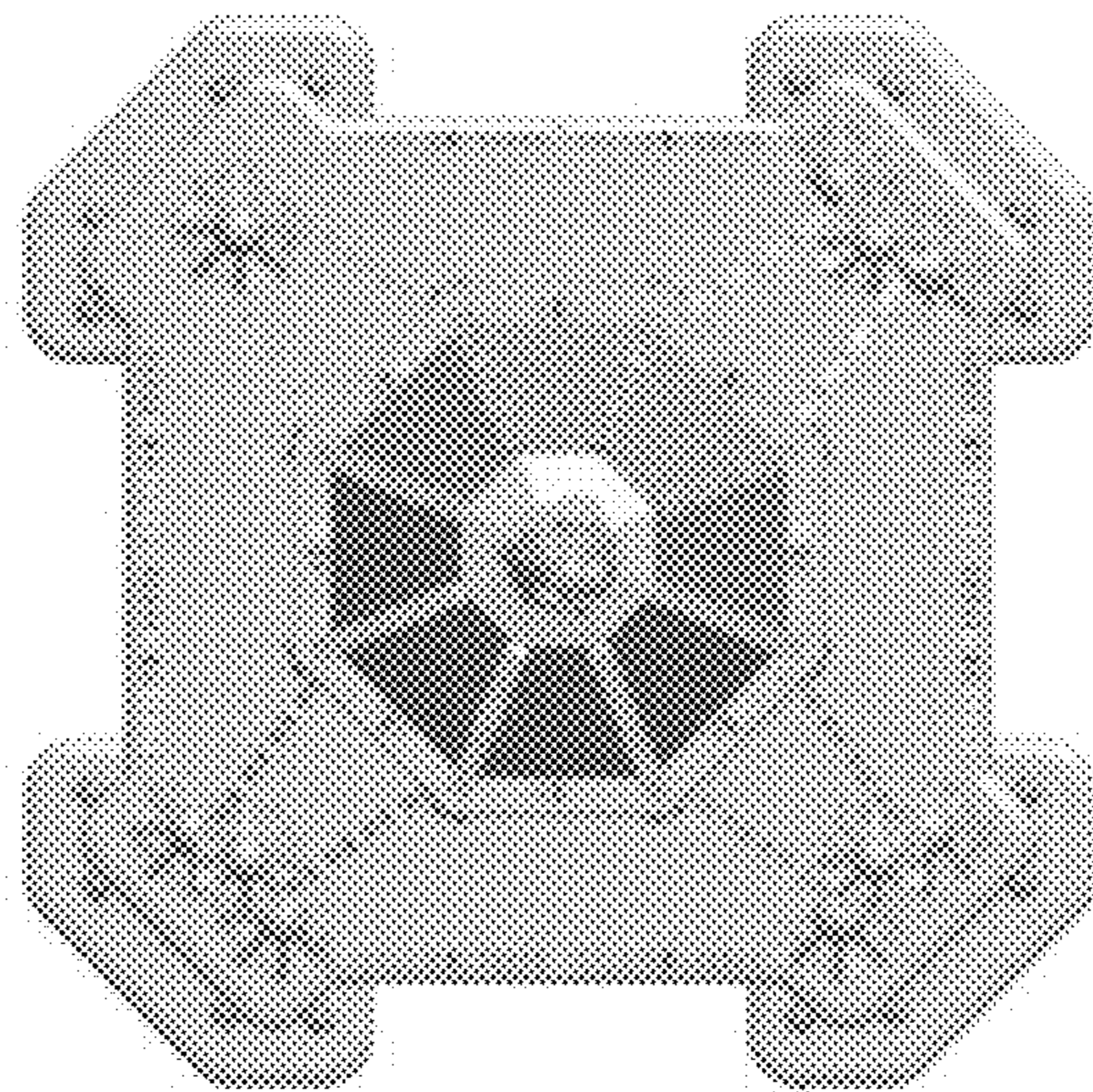


FIG. 3

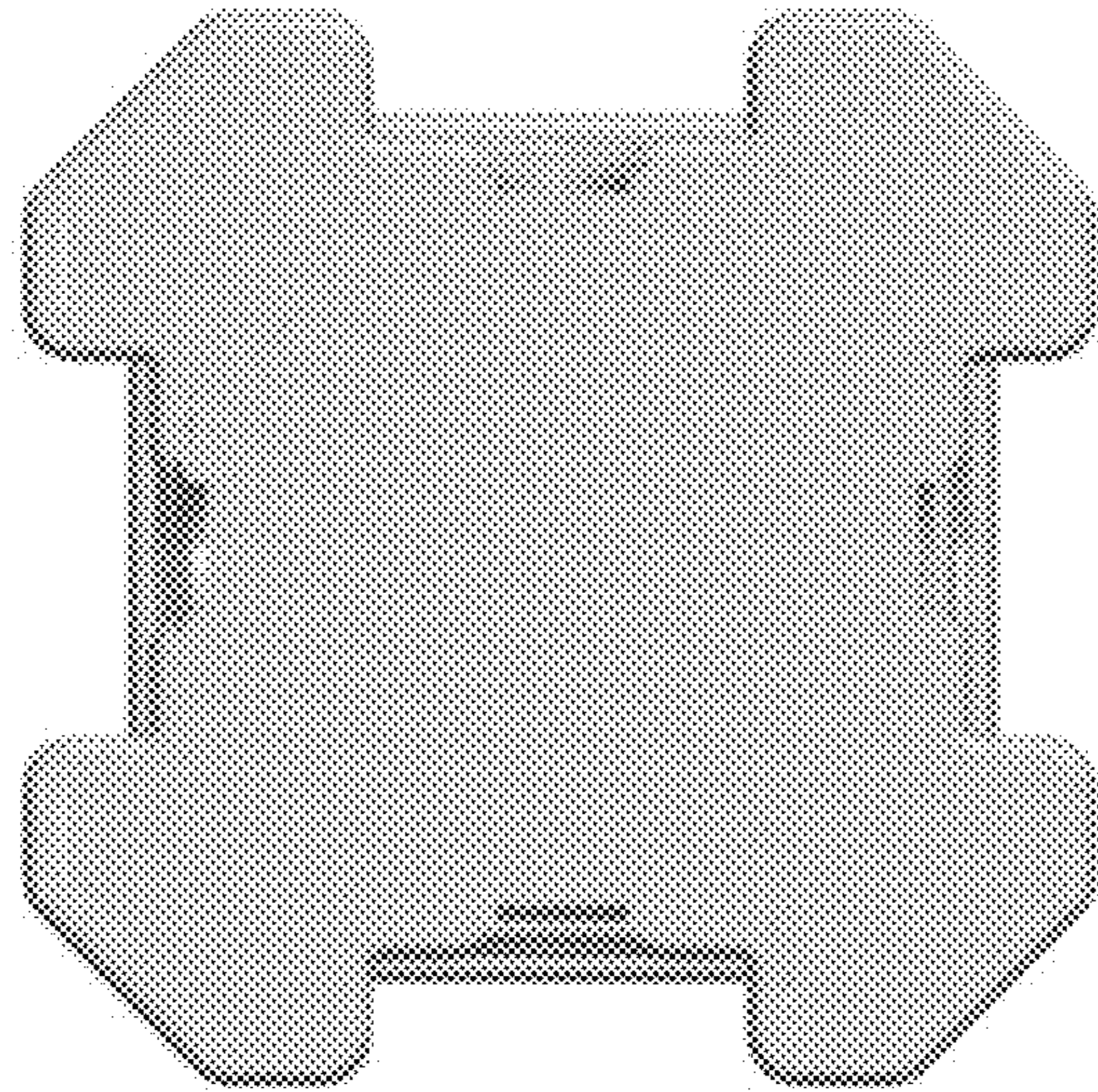


FIG. 4

FIG. 5

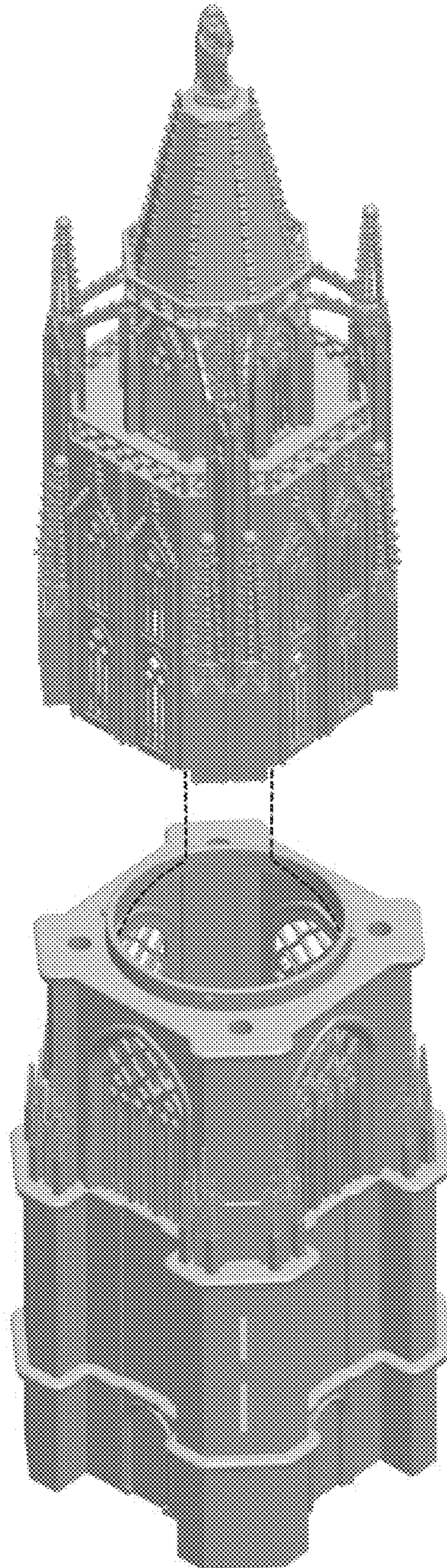
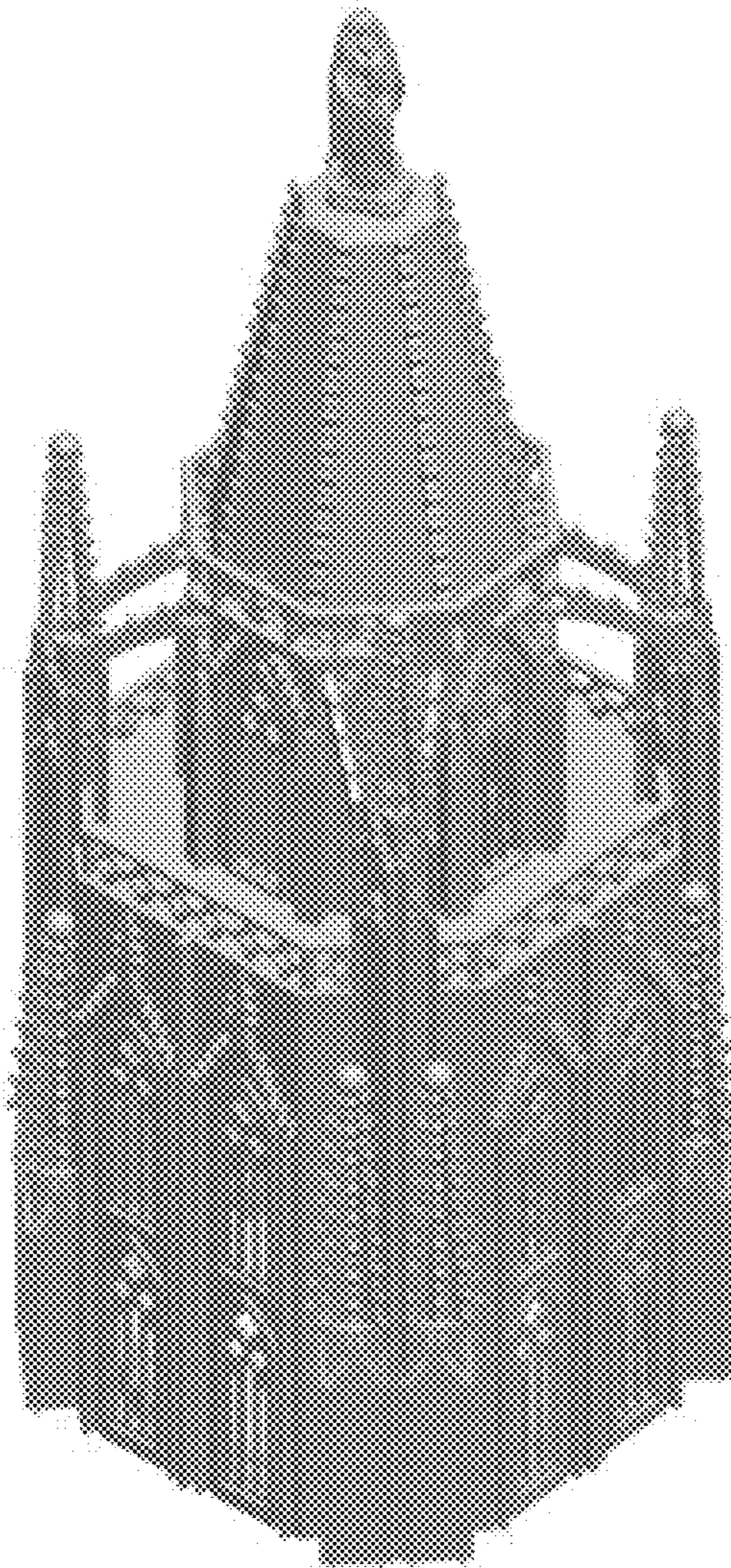


FIG. 6



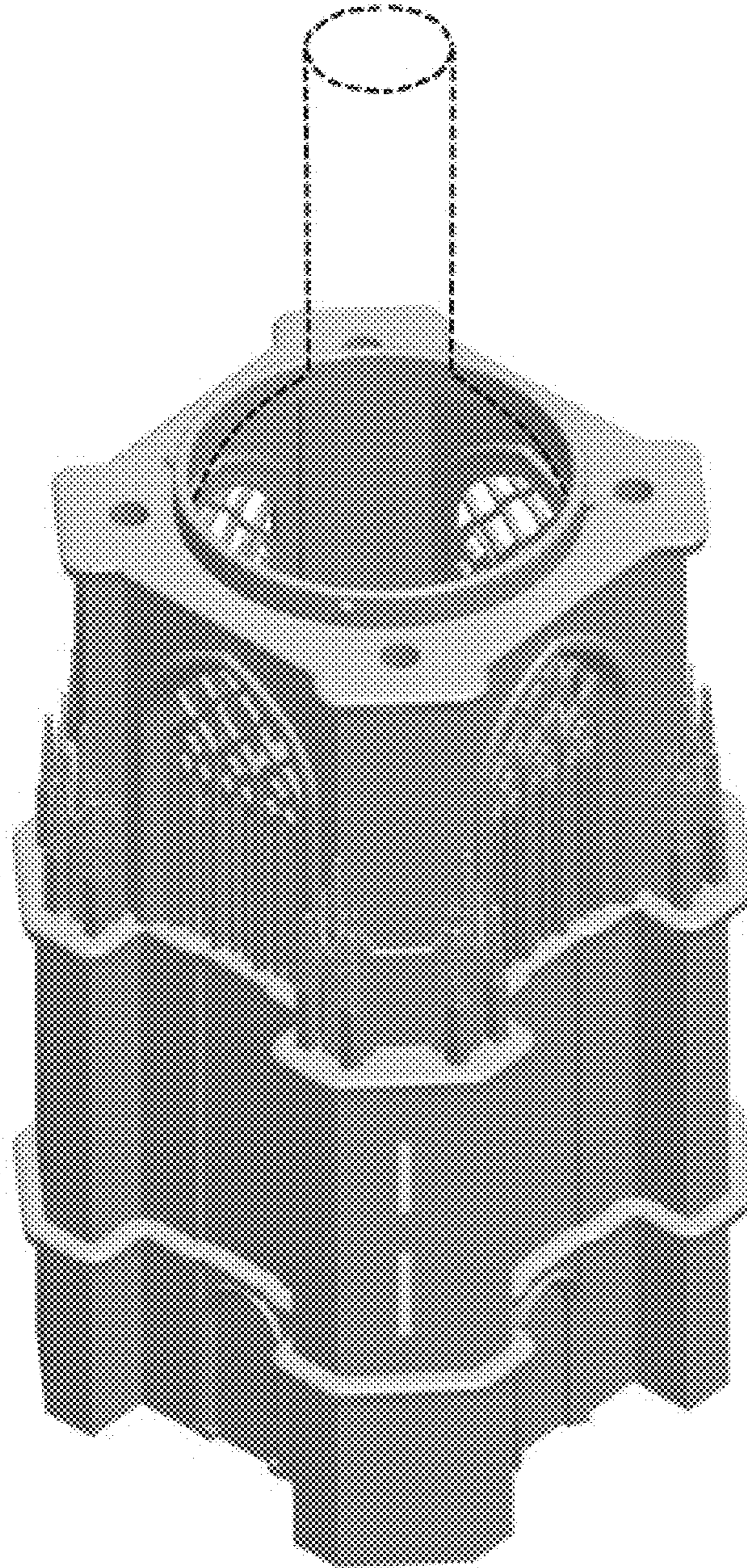


FIG. 7