



US00D696133S

(12) **United States Design Patent**  
**Lebrun et al.**

(10) **Patent No.:** **US D696,133 S**  
(45) **Date of Patent:** **\*\* Dec. 24, 2013**

(54) **BOTTLE**

(75) Inventors: **Antoine Lebrun**, Paris (FR); **Sébastien Servaire**, Saint Denis (FR)

(73) Assignee: **Zino Davidoff AG**, Fribourg (CH)

(\*\*) Term: **14 Years**

(21) Appl. No.: **29/374,650**

(22) Filed: **Sep. 14, 2011**

(51) **LOC (9) Cl.** ..... **09-01**

(52) **U.S. Cl.**  
USPC ..... **D9/550**; D9/553; D9/558; D9/571;  
D9/454

(58) **Field of Classification Search**  
USPC ..... D9/516, 529, 537-546, 549-550, 553,  
D9/558, 563, 565, 574-575, 435, 444-445,  
D9/452, 454; 215/381-384; 220/660,  
220/669-670, 675

See application file for complete search history.

(56) **References Cited**

**U.S. PATENT DOCUMENTS**

D29,092 S *	7/1898	Freeman	.....	D9/558
D48,119 S *	11/1915	Luyties	.....	D9/545
D87,854 S *	9/1932	Quinn	.....	D9/550
D184,434 S *	2/1959	Goulin	.....	D9/545
D204,947 S *	5/1966	Benjamin	.....	D7/321
D210,067 S *	2/1968	Abe	.....	D9/529
D214,876 S *	8/1969	Bright	.....	D9/558
D241,916 S *	10/1976	Barcelo de Torres	.....	D9/544
D242,125 S *	11/1976	Barcelo de Torres	.....	D9/545
D263,120 S *	2/1982	Fossella et al.	.....	D9/550

D319,875 S *	9/1991	Lackey et al.	.....	D9/529 X
D328,014 S *	7/1992	DeCoster et al.	.....	D9/529 X
D338,834 S *	8/1993	Paju	.....	D9/558 X
D339,294 S *	9/1993	Fareri et al.	.....	D9/545
D392,570 S *	3/1998	Baron	.....	D9/516 X
D399,099 S *	10/1998	Cousins	.....	D7/615
D424,272 S *	5/2000	Hyer	.....	D9/550 X
D541,663 S *	5/2007	Sorensen et al.	.....	D9/558
D559,677 S *	1/2008	Laib et al.	.....	D3/302
D573,027 S *	7/2008	Bertelli	.....	D9/550 X
D653,950 S *	2/2012	Ishizawa et al.	.....	D9/553 X

\* cited by examiner

*Primary Examiner* — Carol P Rademaker

(74) *Attorney, Agent, or Firm* — Krieg DeVault LLP;  
Clifford W. Browning

(57) **CLAIM**

The ornamental design for a bottle, as shown and described.

**DESCRIPTION**

FIG. 1 is a front elevational view of the bottle of the present invention;

FIG. 2 is a back elevational view thereof;

FIG. 3 is a right side elevational view thereof;

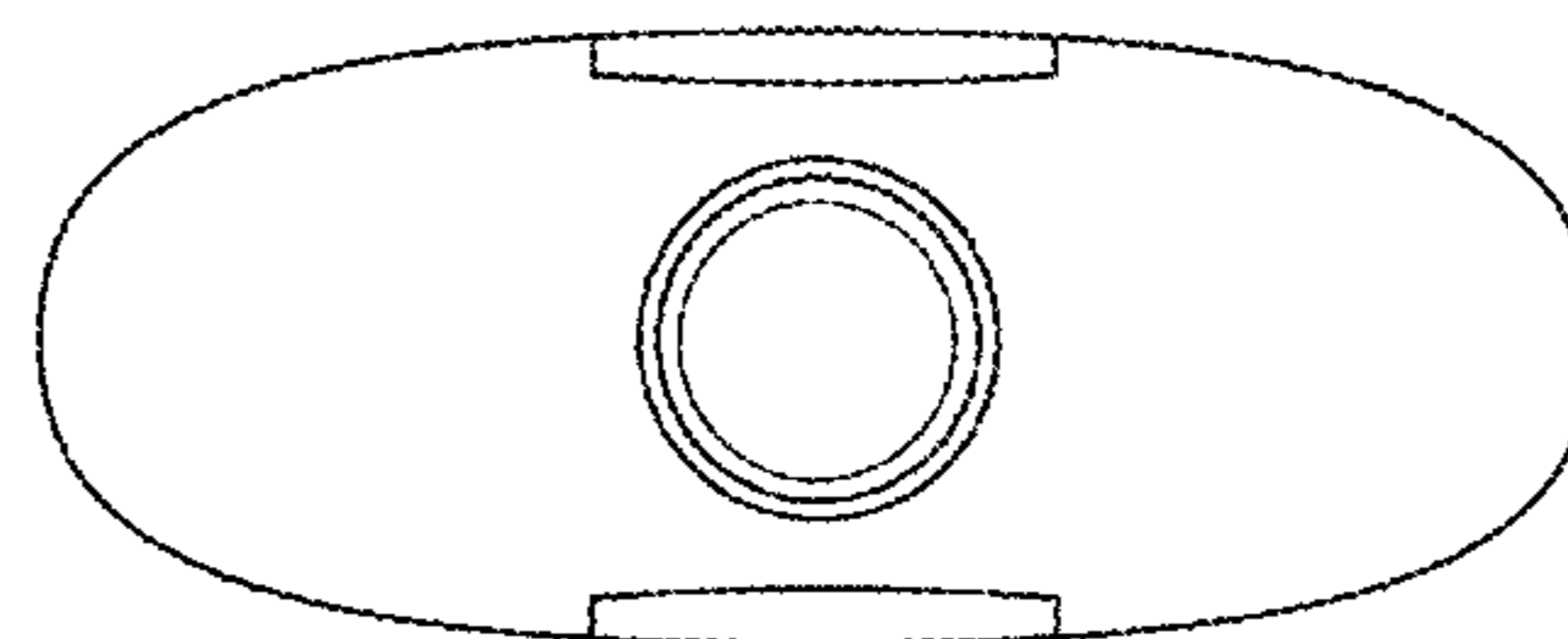
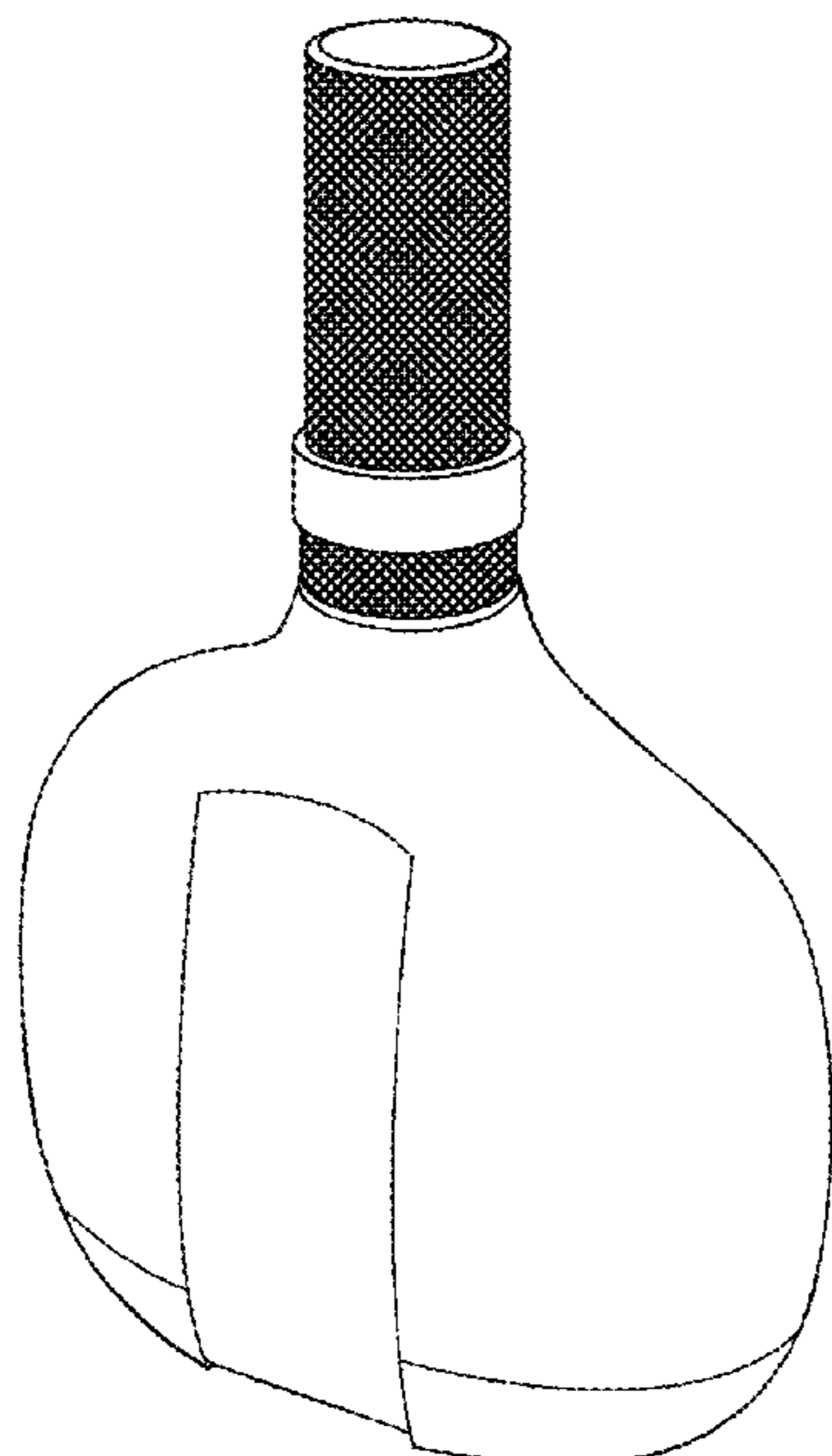
FIG. 4 is a left side elevational view thereof;

FIG. 5 is a top, front, and right side perspective view thereof; and,

FIG. 6 is a top plan view thereof.

The gridded, angled lines shown on the sidewall surface of the closure of the claimed design are 2-D, having no thickness or texture.

**1 Claim, 2 Drawing Sheets**



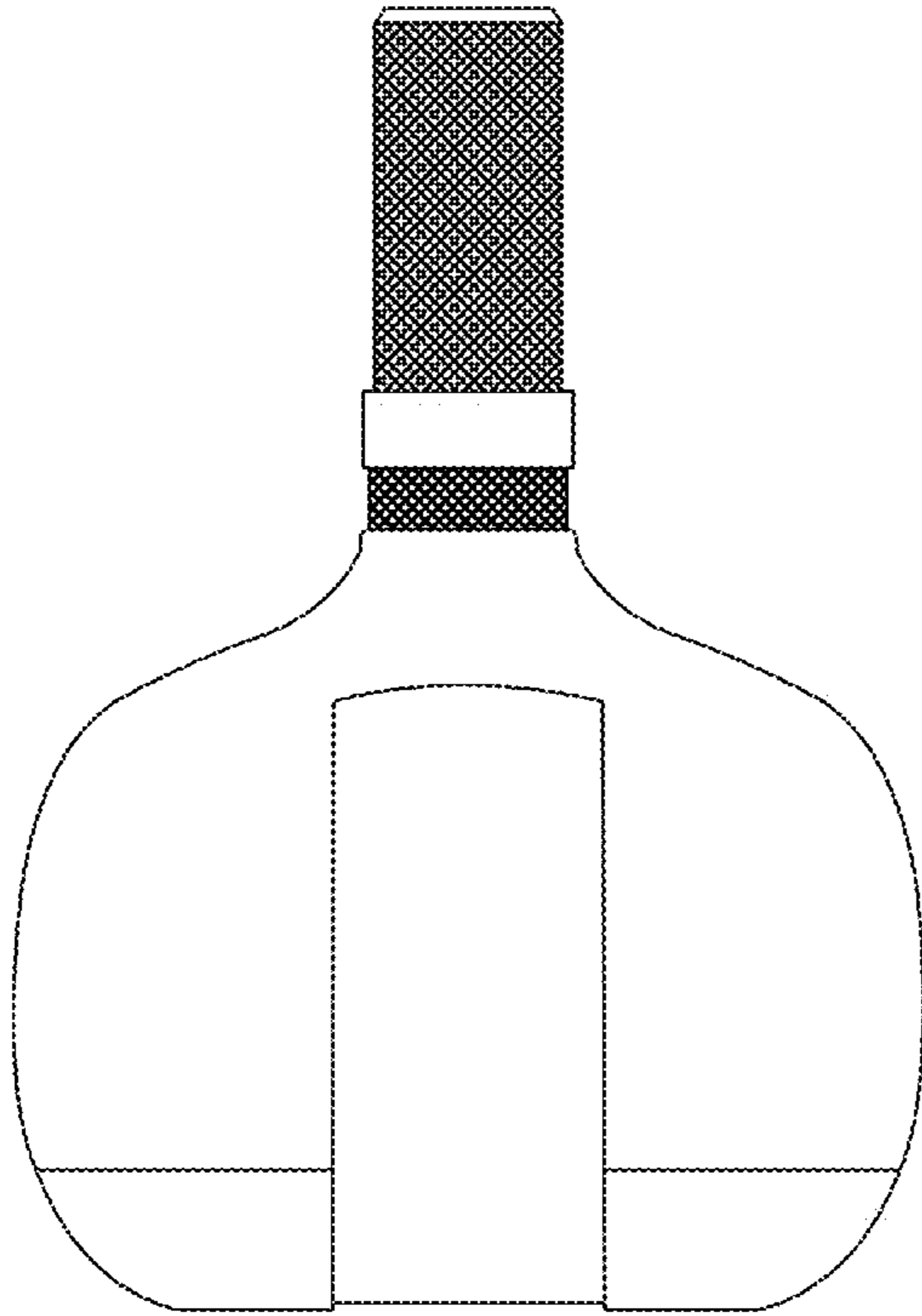


FIG. 1

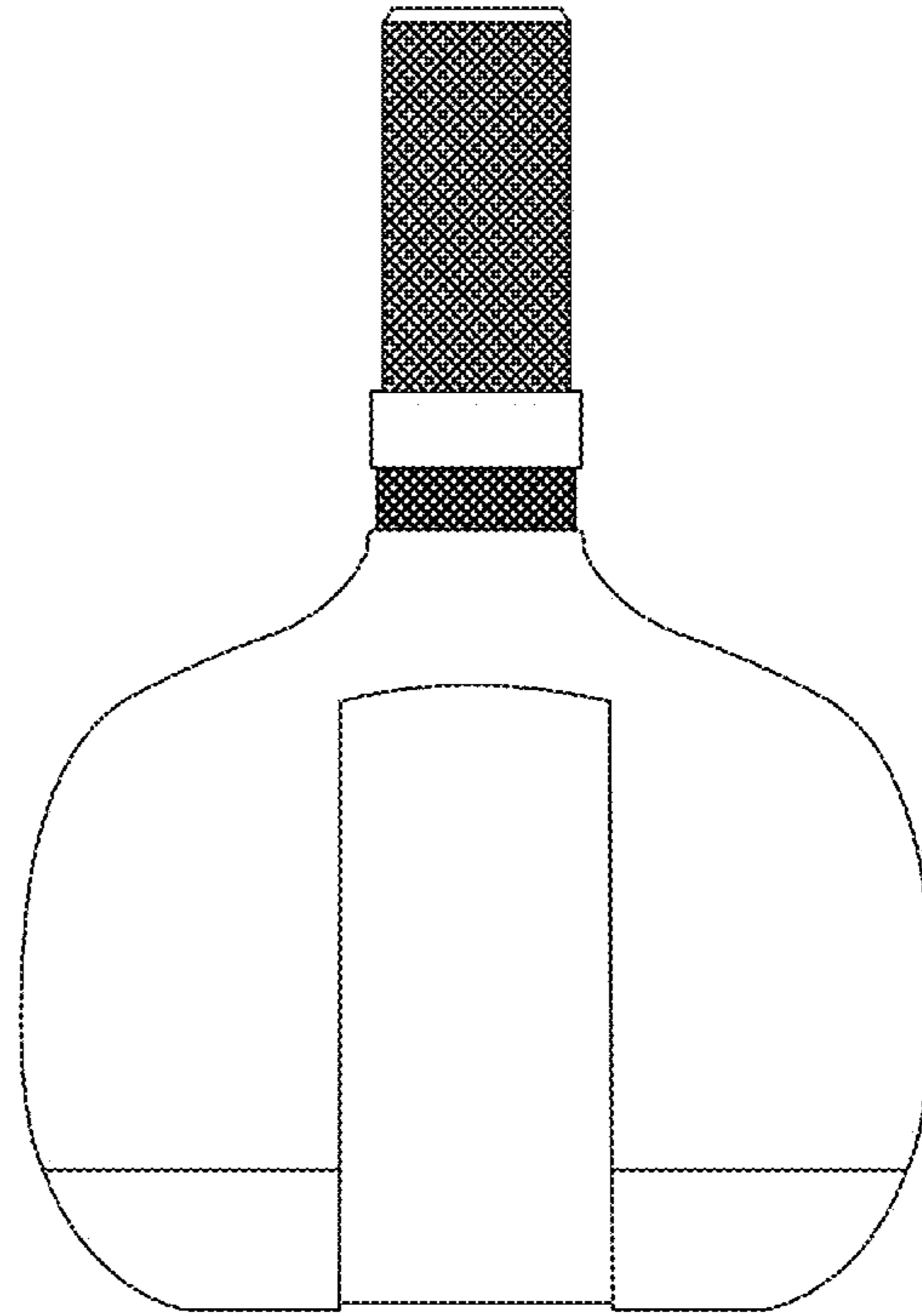


FIG. 2

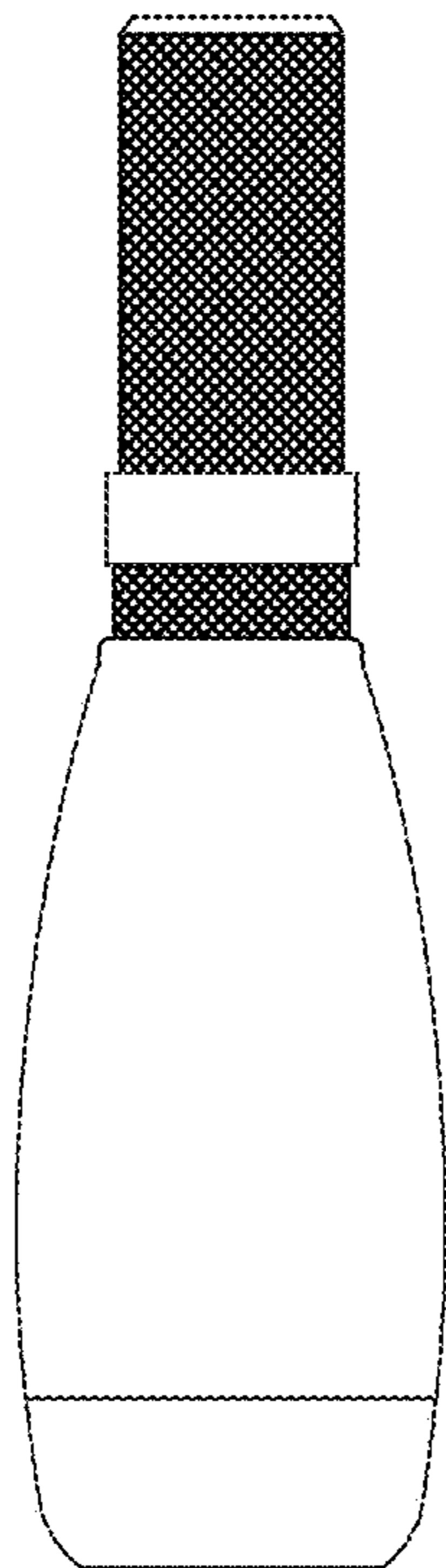


FIG. 3

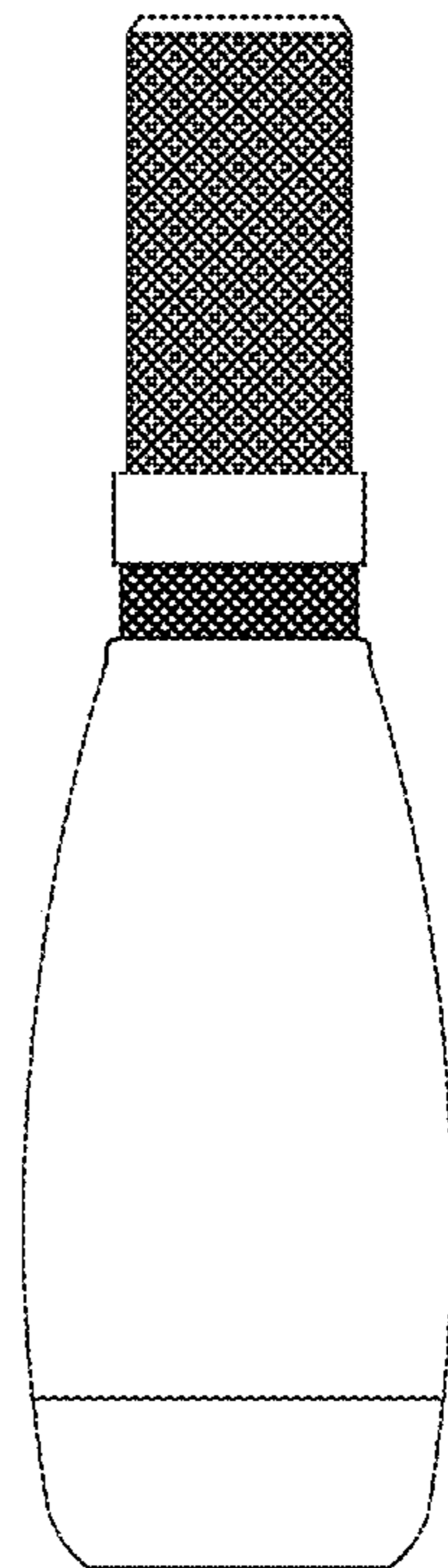


FIG. 4

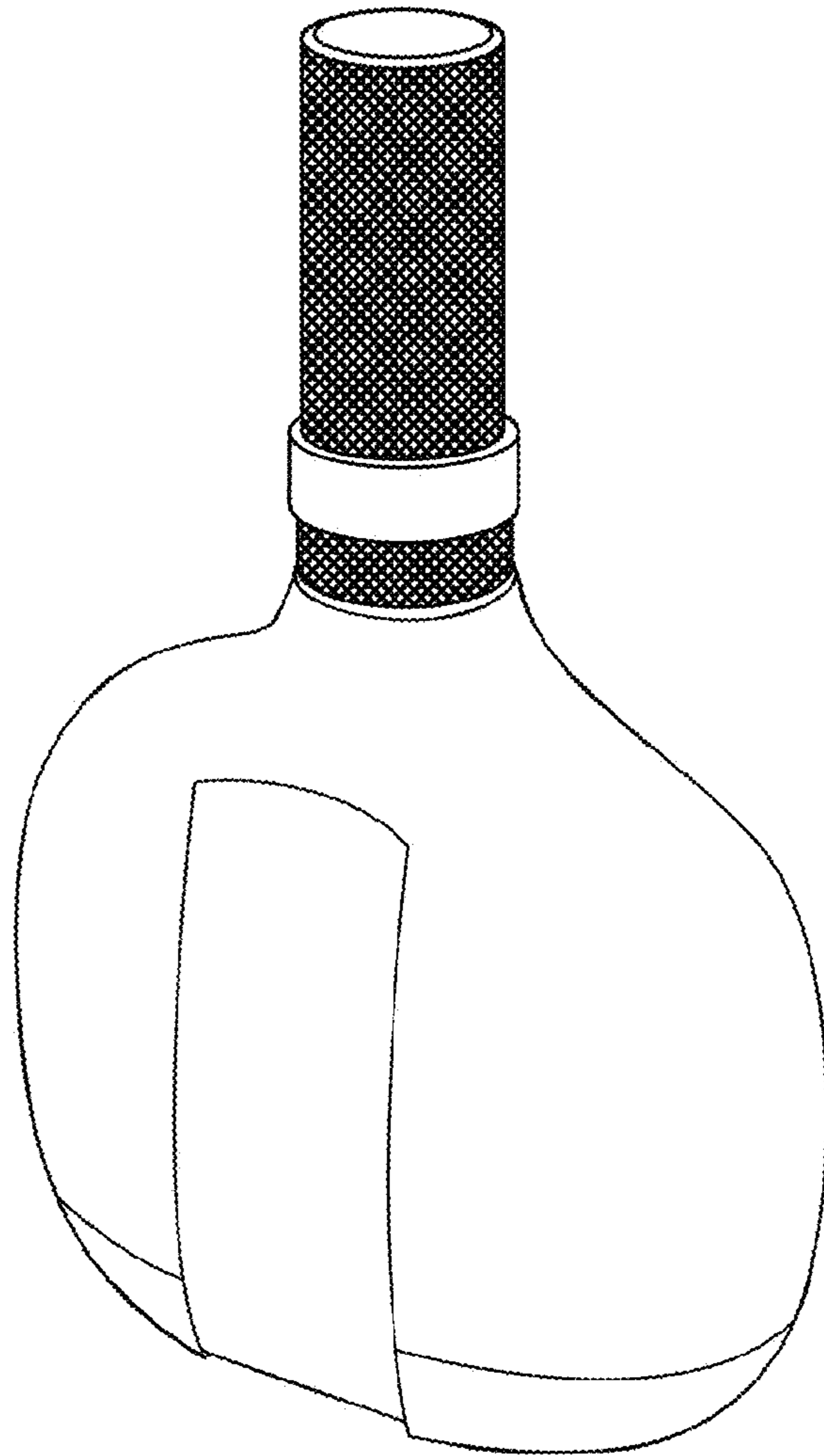


FIG. 5

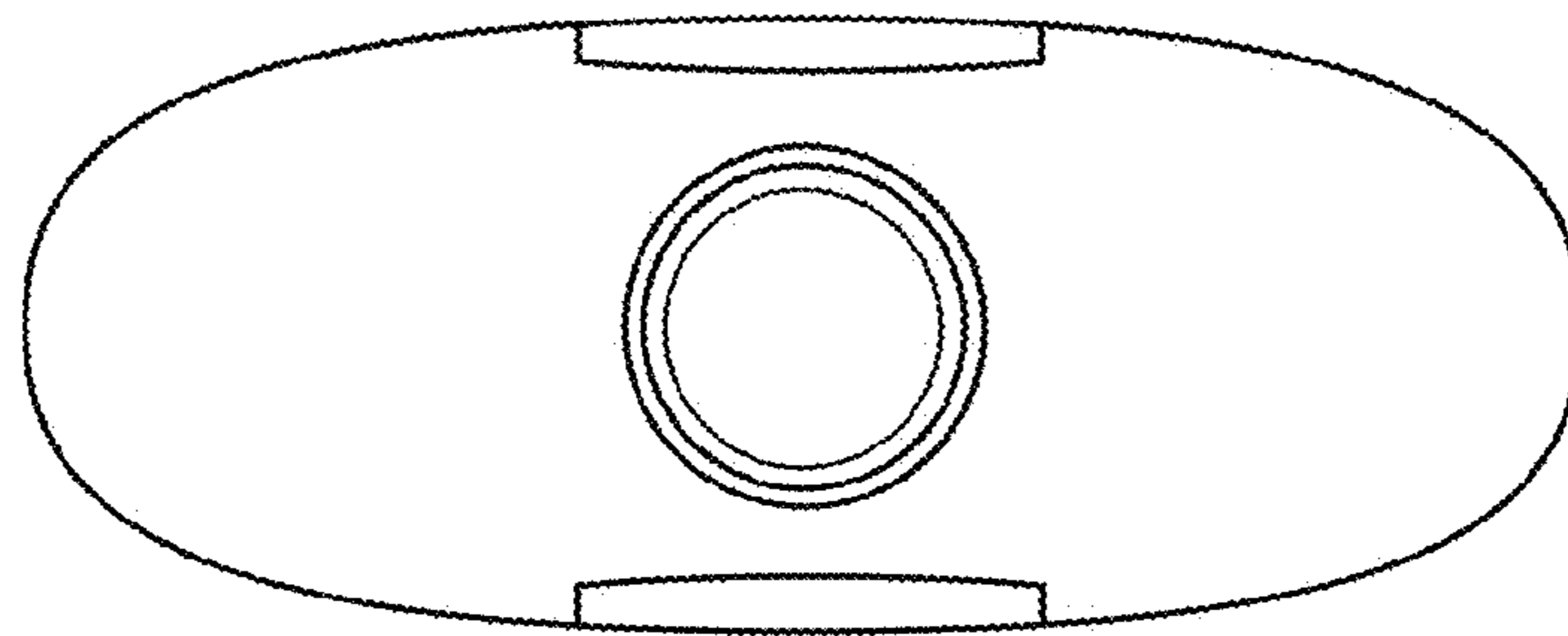


FIG. 6