



US00D696128S

(12) **United States Design Patent**
Lindsay et al.

(10) **Patent No.:** **US D696,128 S**
(45) **Date of Patent:** **** Dec. 24, 2013**

(54) **DIAMOND SHAPE BOTTLE**
(75) Inventors: **Frank Lindsay**, Hamilton Square, NJ
(US); **Daniel Peter Sterling**, Norwalk,
CT (US); **John Kevin Clay**, Milford, CT
(US)
(73) Assignee: **Church & Dwight Co., Inc.**, Princeton,
NJ (US)
(**) Term: **14 Years**

D307,241 S 4/1990 Thompson
D323,456 S 1/1992 Gonda
D357,188 S * 4/1995 Stockwell et al. D9/543
D359,906 S * 7/1995 Carre et al. D9/528
D419,455 S 1/2000 Macauley et al.
D559,692 S 1/2008 Floyd et al.
D581,798 S 12/2008 Yourist
D633,807 S 3/2011 Fahy et al.
D649,882 S 12/2011 Fleischhacker et al.
D655,174 S * 3/2012 Enciso et al. D9/528
D658,499 S * 5/2012 Wycoff D9/528
D659,001 S * 5/2012 Enciso et al. D9/528

* cited by examiner

(21) Appl. No.: **29/429,574**
(22) Filed: **Aug. 14, 2012**
(51) **LOC (9) Cl.** **09-01**
(52) **U.S. Cl.**
USPC **D9/528**
(58) **Field of Classification Search**
USPC D9/516, 523, 528, 531, 541, 543, 552,
D9/559, 560, 563, 565, 571, 651;
215/381-385; 220/660, 669, 675
See application file for complete search history.

Primary Examiner — Keli L Hill

(57) **CLAIM**
The ornamental design for diamond shape bottle, as shown
and described.

DESCRIPTION

FIG. 1 is a perspective view of the diamond shape bottle;
FIG. 2 is a front view of the diamond shape bottle;
FIG. 3 is a back view of the diamond shape bottle;
FIG. 4 is a side view of the diamond shape bottle;
FIG. 5 is an opposite side view of the diamond shape bottle;
FIG. 6 is a top view of the diamond shape bottle; and,
FIG. 7 is a bottom view of the diamond shape bottle.
The broken lines shown in the drawings represent unclaimed
portions of the diamond shape bottle and form no part of the
claimed design.

(56) **References Cited**
U.S. PATENT DOCUMENTS
D209,625 S 12/1967 Hills
D228,741 S * 10/1973 Holme D9/528
D267,701 S 1/1983 Pardo et al.
D280,487 S 9/1985 Lane et al.

1 Claim, 6 Drawing Sheets

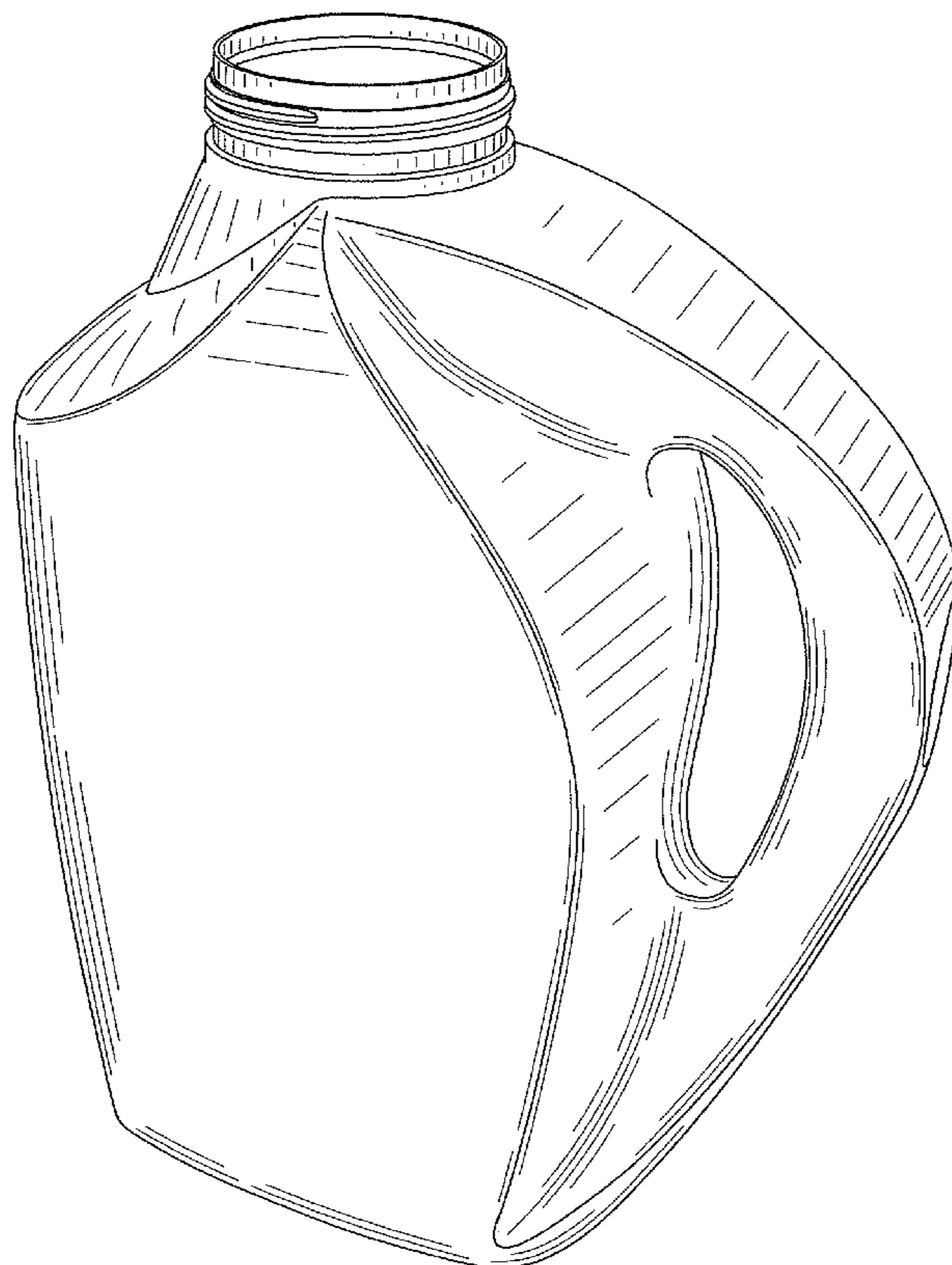


Fig. 1



Fig. 2

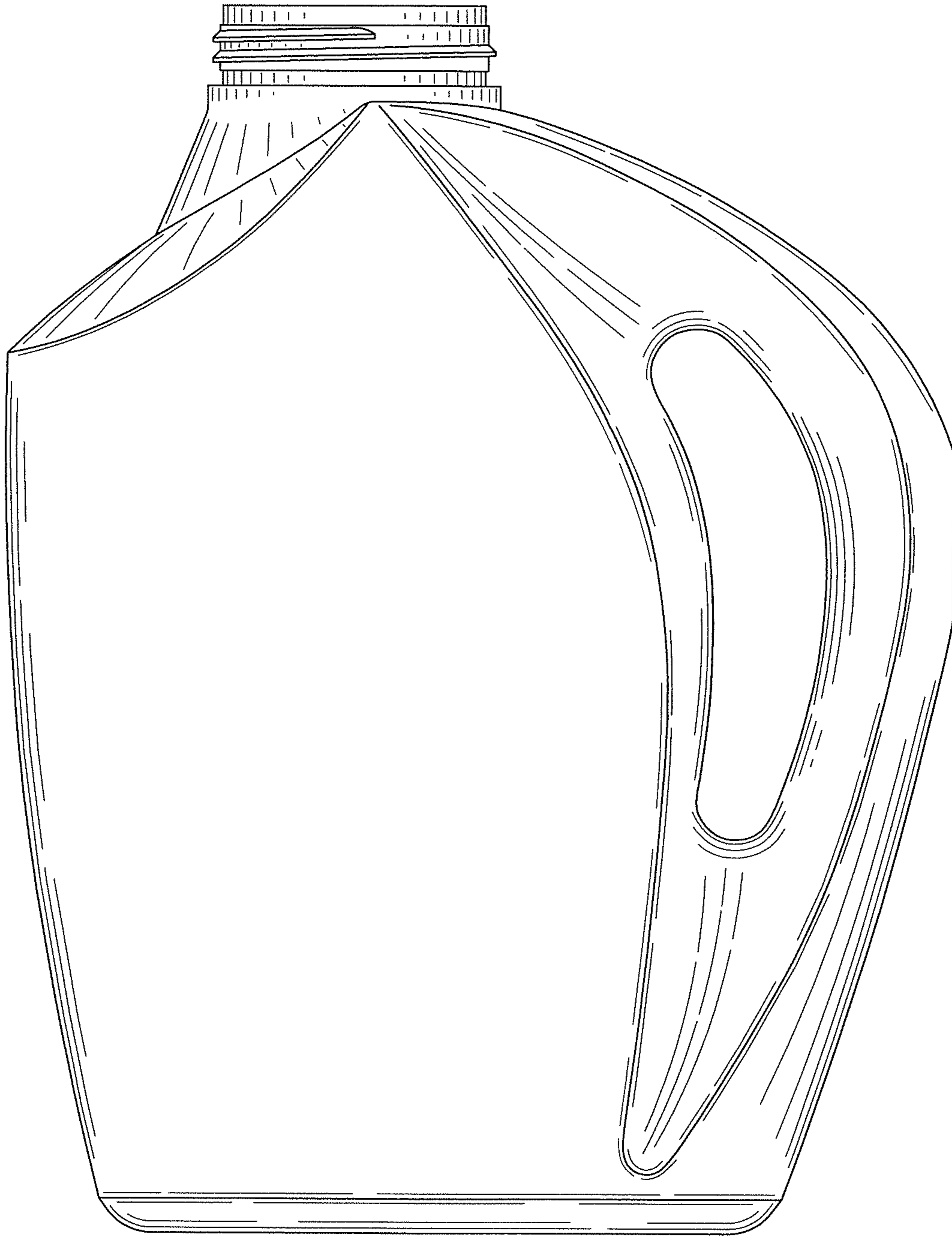


Fig. 3



Fig. 4

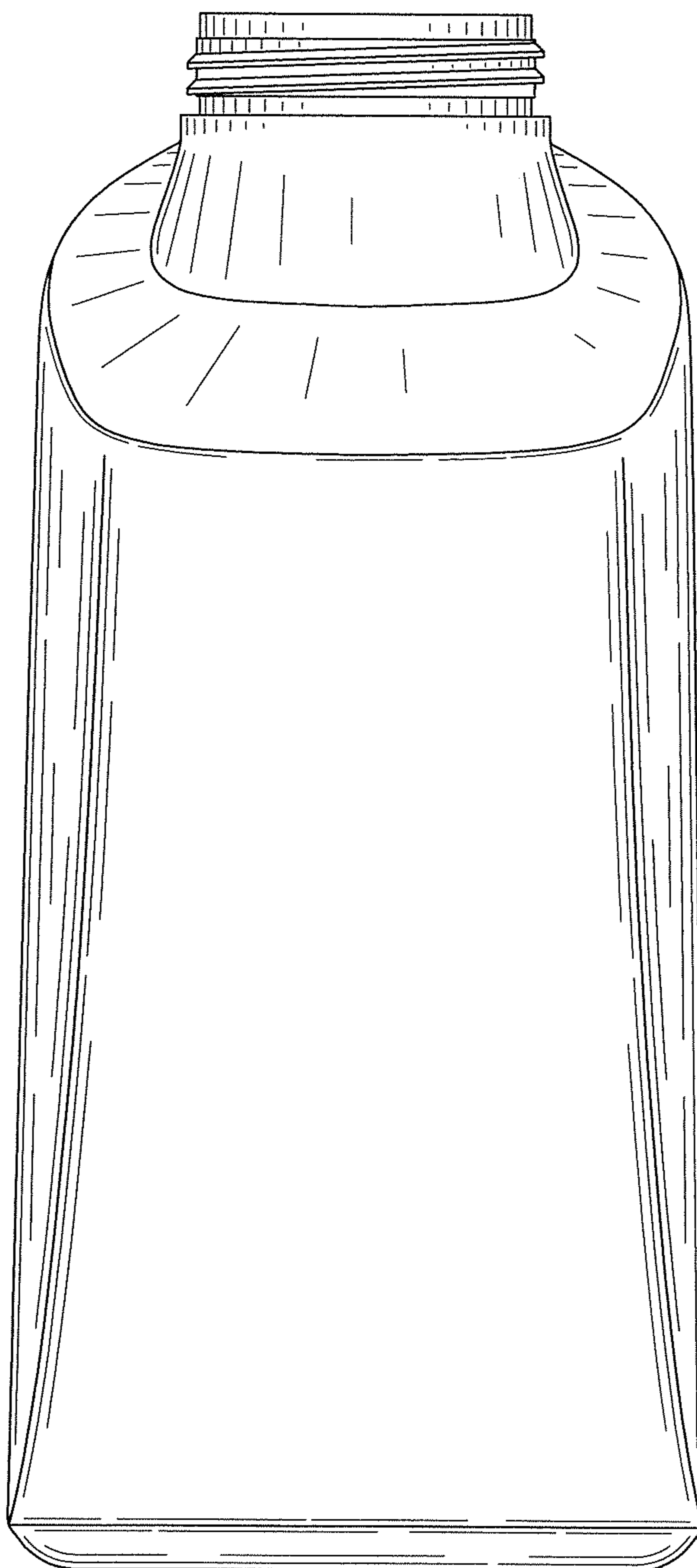


Fig. 5

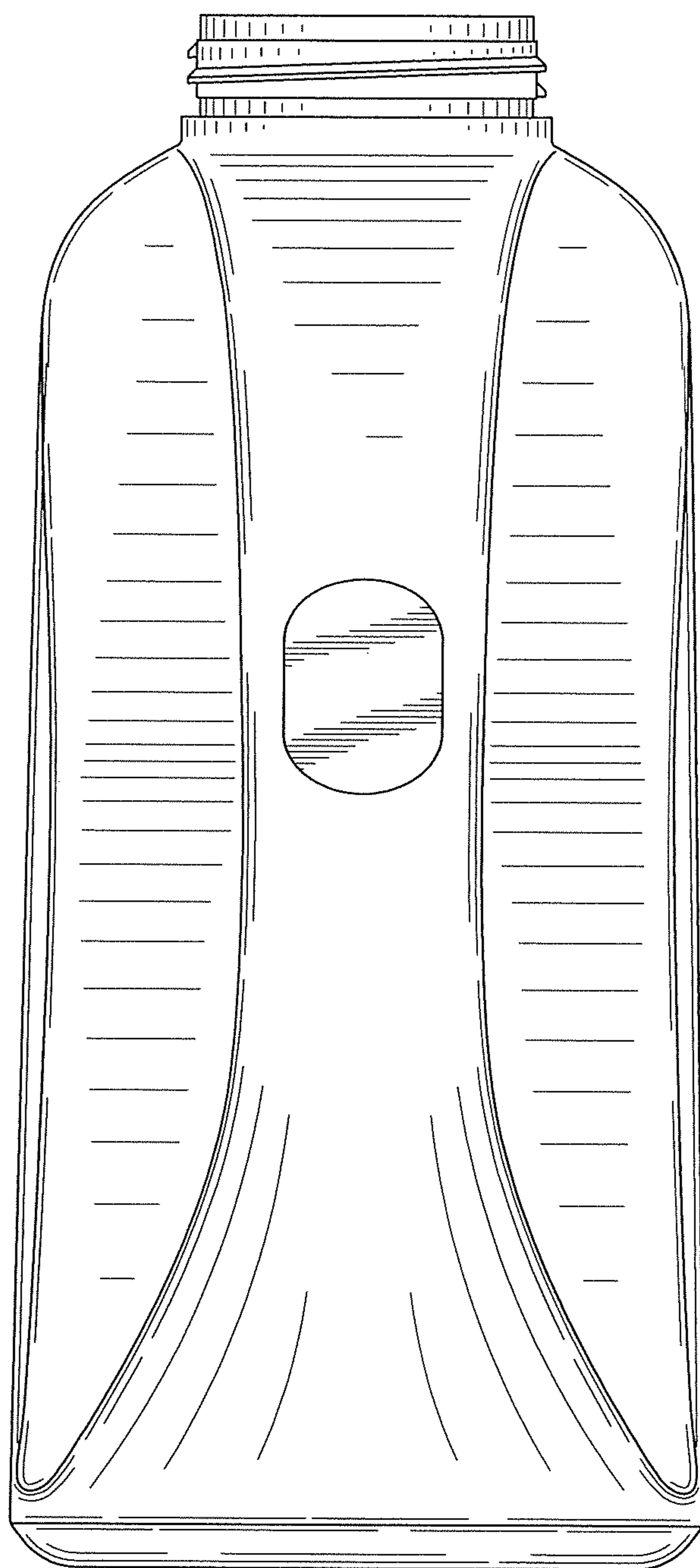


Fig. 6

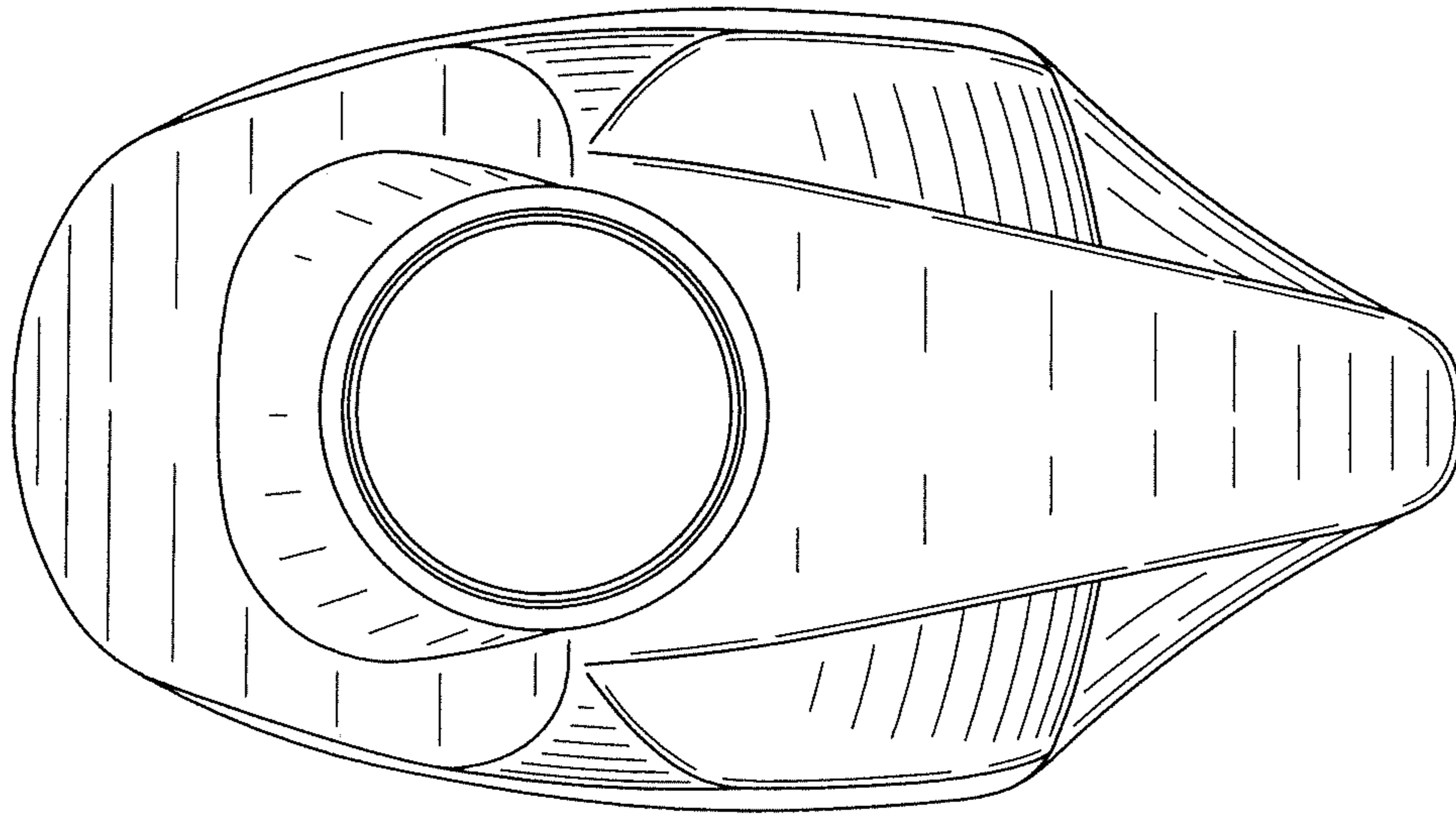


Fig. 7

