



US00D696119S

(12) **United States Design Patent**
Evans

(10) **Patent No.:** **US D696,119 S**

(45) **Date of Patent:** **** Dec. 24, 2013**

(54) **CONTAINER**

(75) Inventor: **Alicia Evans**, York, PA (US)

(73) Assignee: **Graham Packaging Company, L.P.**,
York, PA (US)

(**) Term: **14 Years**

(21) Appl. No.: **29/422,592**

(22) Filed: **May 22, 2012**

(51) **LOC (9) Cl.** **09-01**

(52) **U.S. Cl.**

USPC **D9/502**

(58) **Field of Classification Search**

USPC D9/500, 502–505, 516, 537, 539, 549,
D9/550, 558; 215/379, 381–384; 220/660,
220/669–673, 675

See application file for complete search history.

(56) **References Cited**

U.S. PATENT DOCUMENTS

D274,500 S *	7/1984	Sephton	D9/500
D338,832 S *	8/1993	Osip et al.	D9/502
D433,633 S *	11/2000	La Fata	D9/502
D663,215 S *	7/2012	Clay et al.	D9/552

* cited by examiner

Primary Examiner — Terry Wallace

(74) *Attorney, Agent, or Firm* — Baker Botts L.L.P.

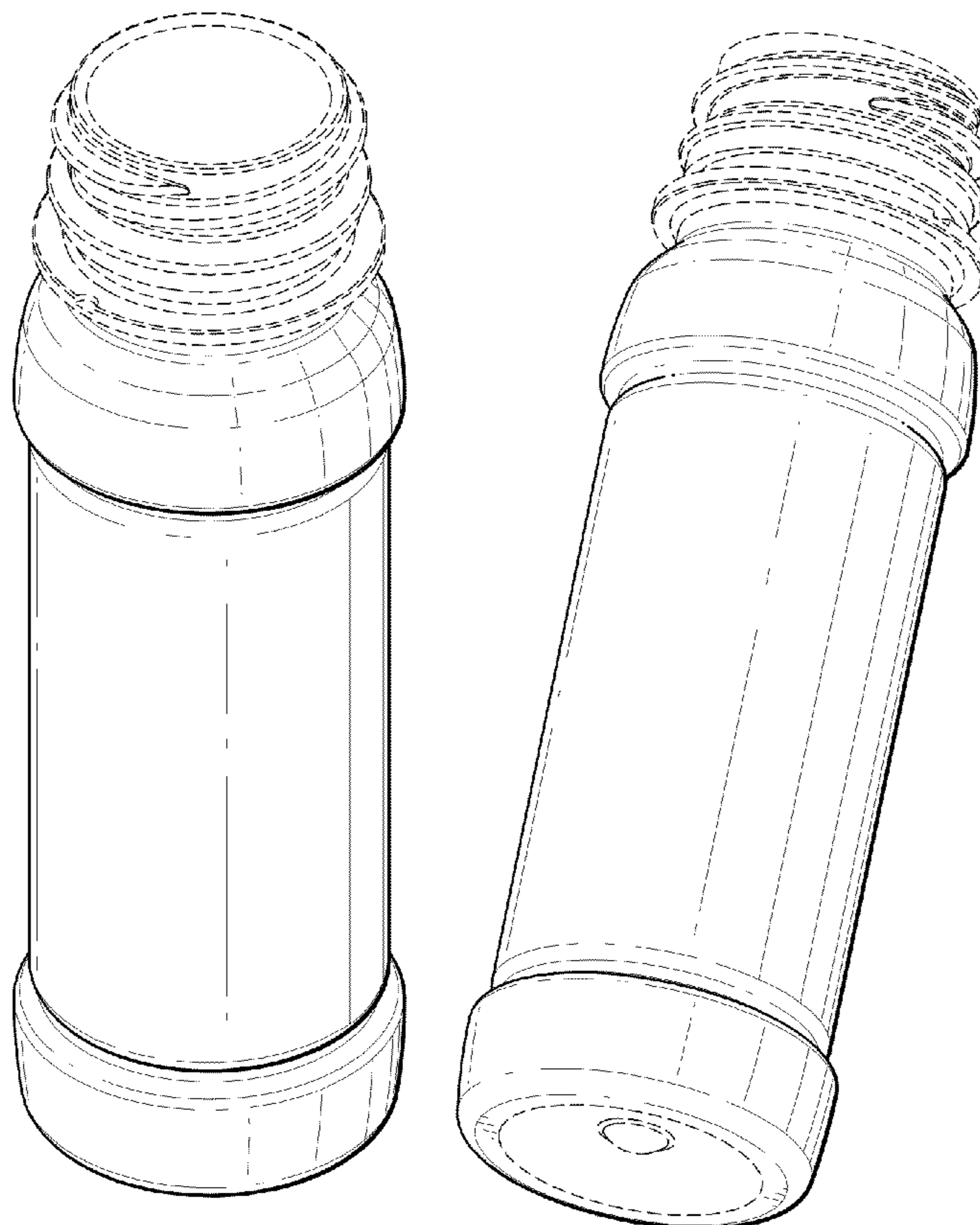
(57) **CLAIM**

The ornamental design for a container, as shown and described.

DESCRIPTION

FIG. 1 is a perspective view showing my new design;
FIG. 2 is a second perspective view;
FIG. 3 is a front elevational view;
FIG. 4 is a rear elevational view;
FIG. 5 is a first side elevational view;
FIG. 6 is a second side elevational view;
FIG. 7 is a top plan view; and,
FIG. 8 is a bottom plan view.
The broken lines in the drawings depict probable environment only and form no part of the claimed design.

1 Claim, 5 Drawing Sheets



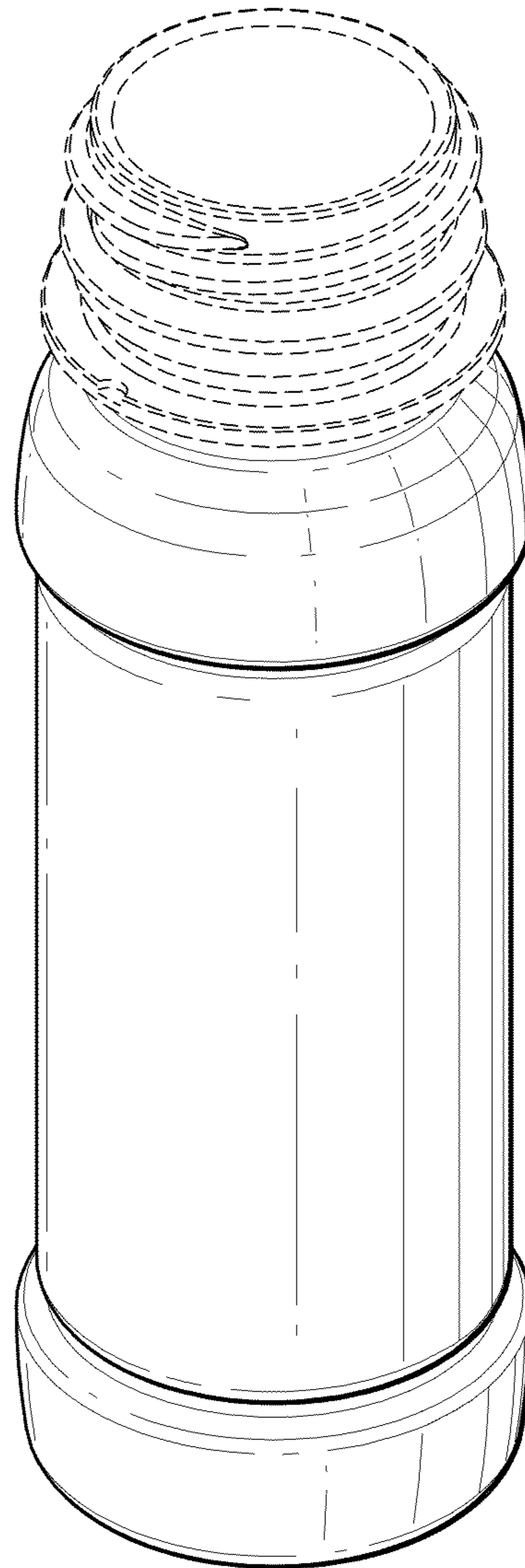


FIG. 1

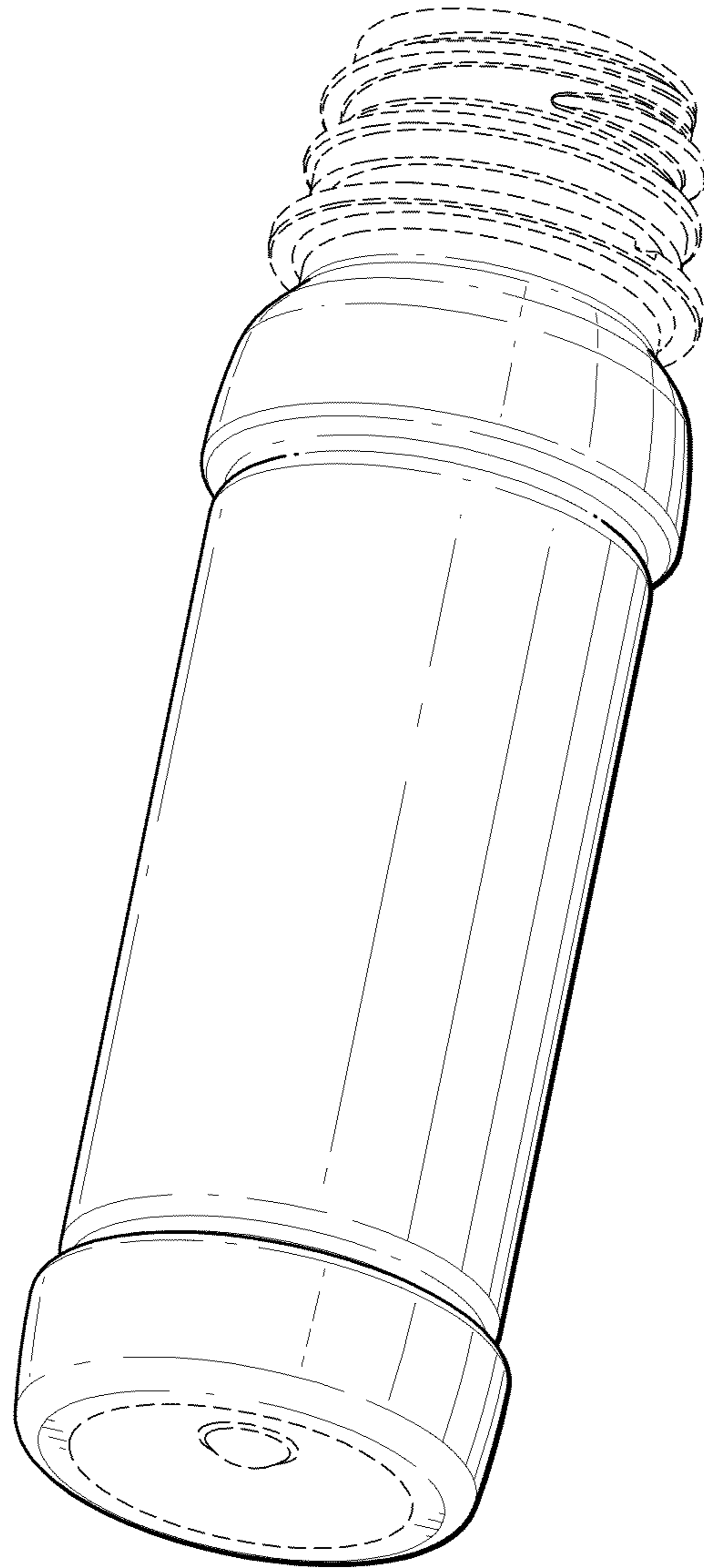


FIG. 2

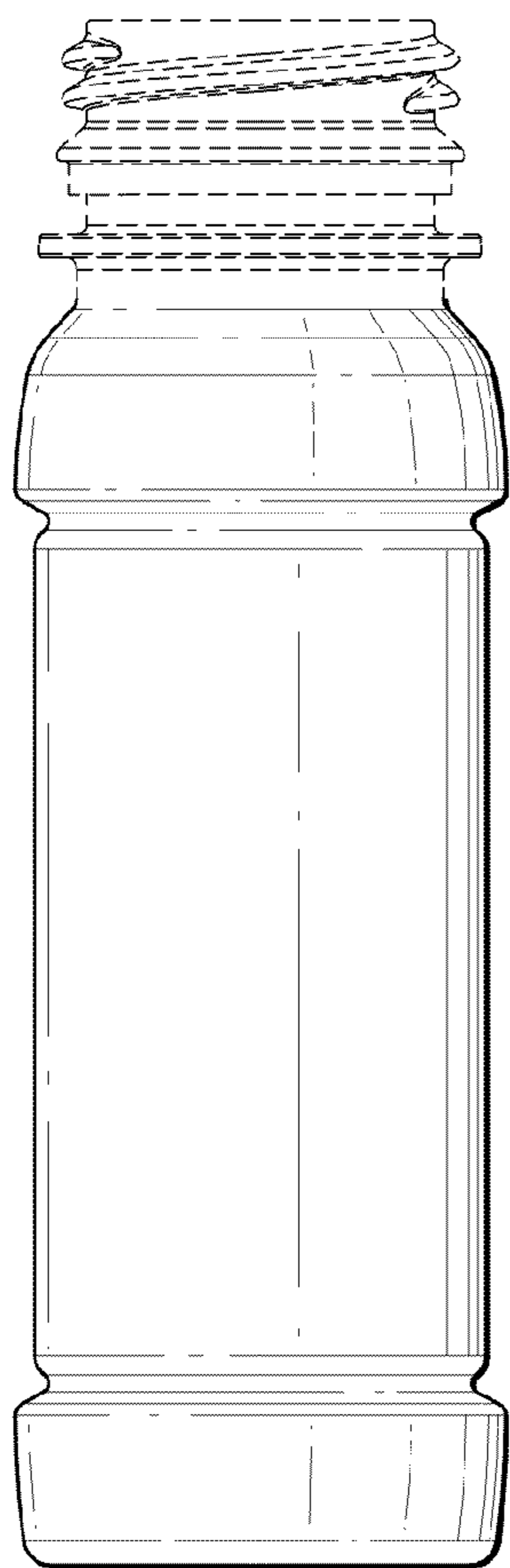


FIG. 3

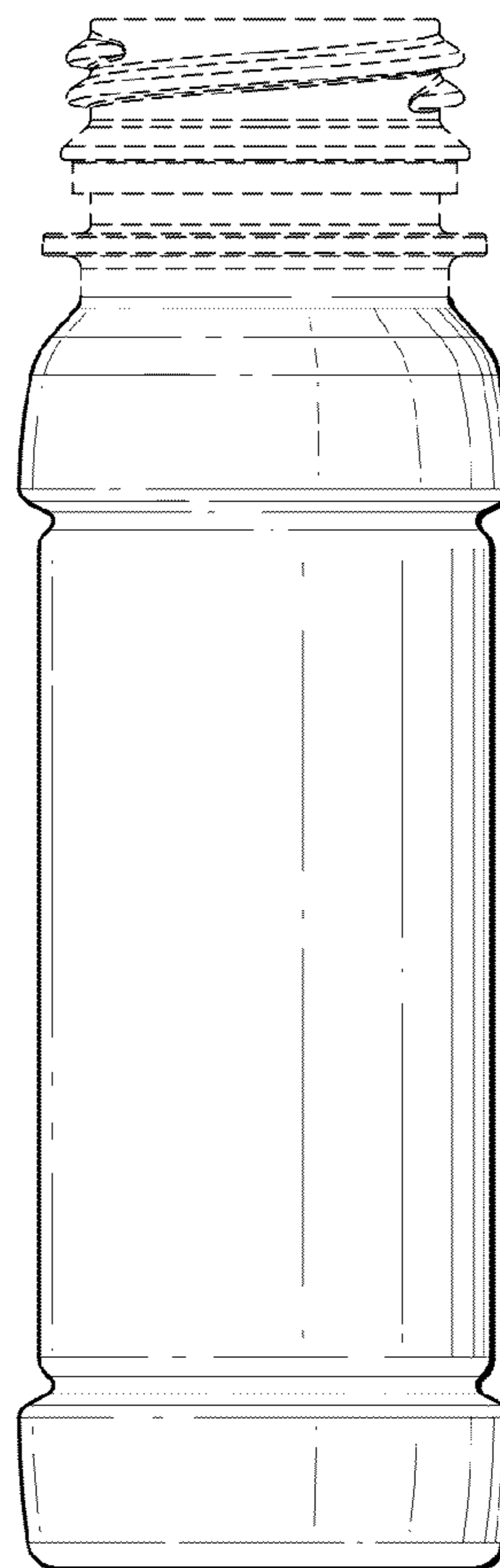


FIG. 4

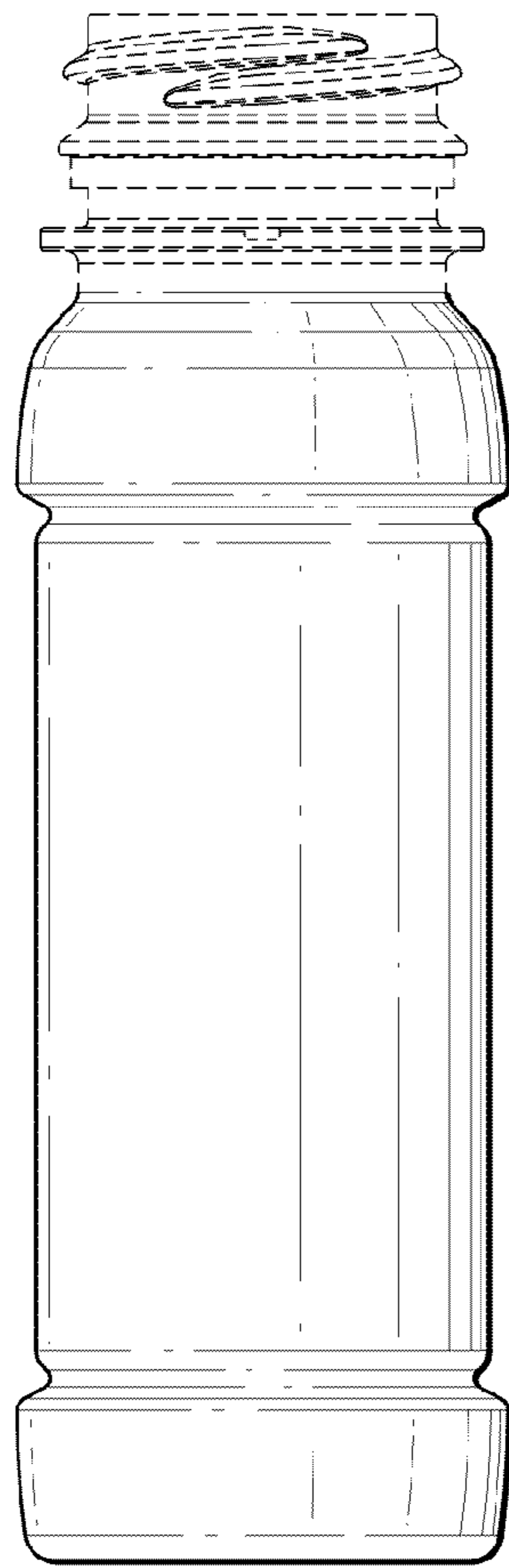


FIG. 5

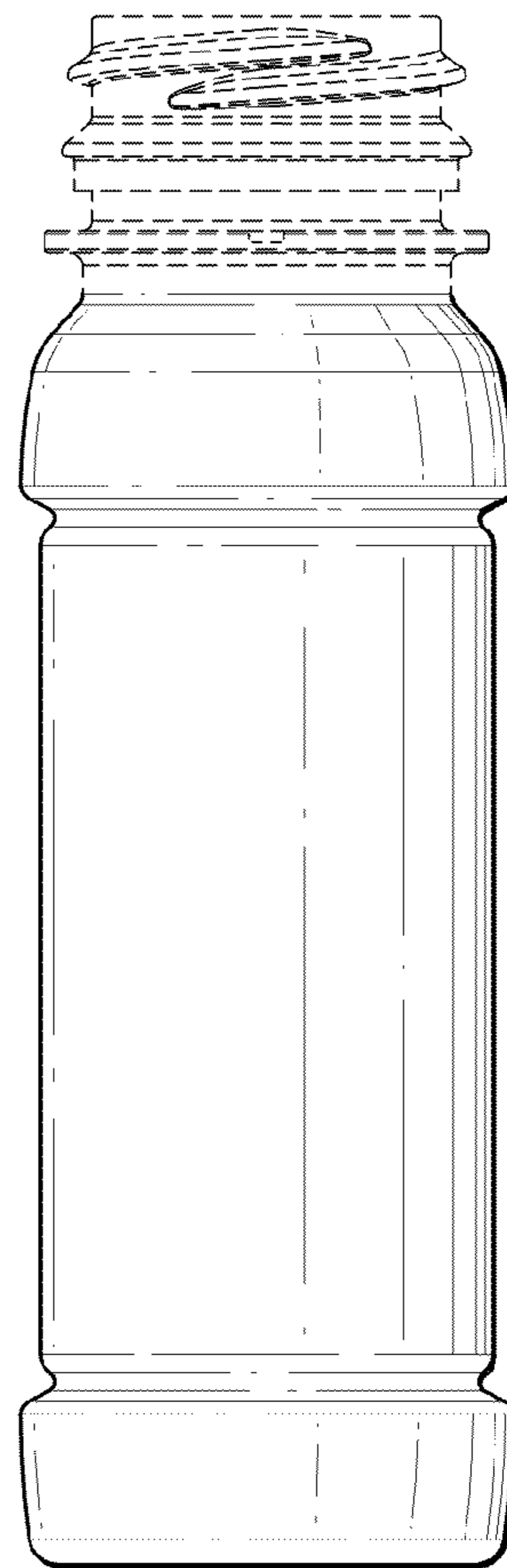


FIG. 6

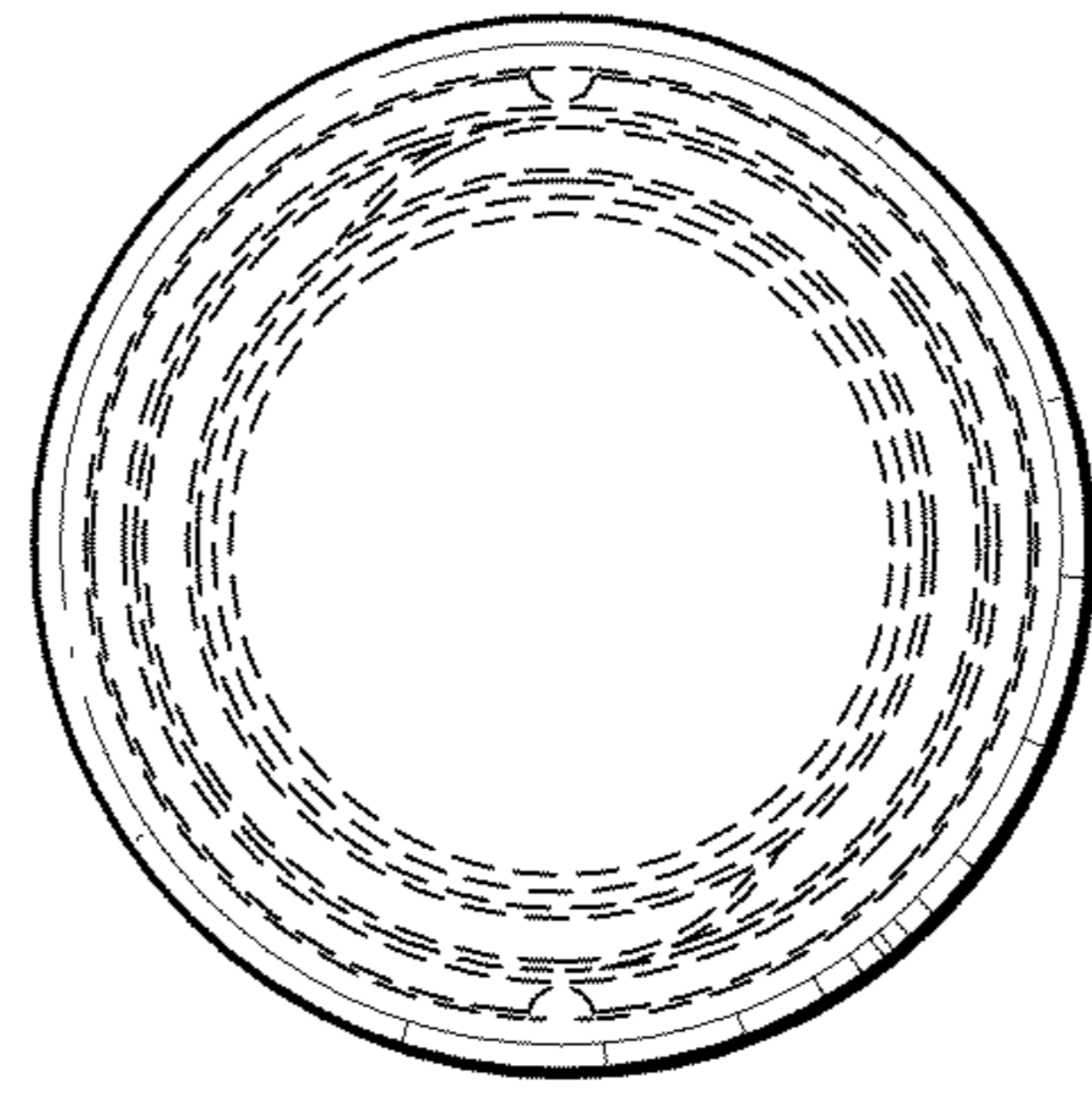


FIG. 7

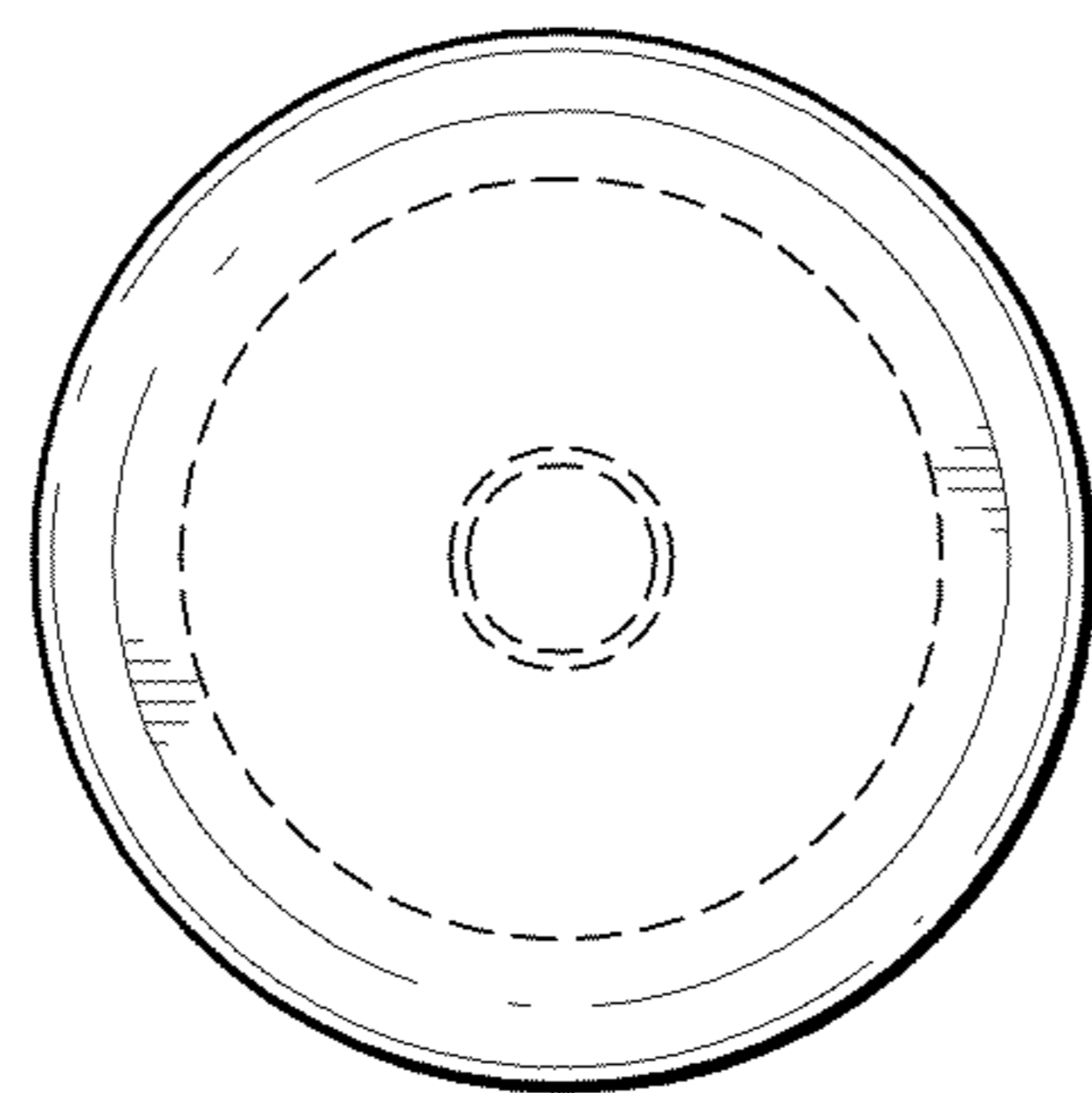


FIG. 8