

US00D696118S

(12) **United States Design Patent**
Lindstrom

(10) **Patent No.:** **US D696,118 S**
(45) **Date of Patent:** **** Dec. 24, 2013**

(54) **CONTAINER**

(75) Inventor: **Erik J. Lindstrom**, Denver, CO (US)

(73) Assignee: **Schwoggle, Ltd.**, Denver, CO (US)

(**) Term: **14 Years**

(21) Appl. No.: **29/423,736**

(22) Filed: **Jun. 4, 2012**

(51) **LOC (9) Cl.** **09-01**

(52) **U.S. Cl.**
USPC **D9/500; D9/520; D9/550; D9/558;**
D7/509

(58) **Field of Classification Search**
USPC D9/500, 502–505, 516, 537, 539, 549,
D9/550, 558; D7/509–511, 608; 215/379,
215/381–384; 220/660, 669–673, 675
See application file for complete search history.

(56) **References Cited**

U.S. PATENT DOCUMENTS

D155,040 S	8/1949	Serra	
D188,134 S	6/1960	Neubauer	
D191,685 S *	10/1961	Price et al.	D9/502
D195,103 S	4/1963	Houghton	
D214,305 S	6/1969	Hills	
3,787,993 A	1/1974	Lyon	
D236,433 S	8/1975	Strand	
D249,330 S	9/1978	Pigeon	
D261,985 S *	11/1981	Fowles et al.	D9/549
D268,483 S *	4/1983	Mineo	D9/439
D289,937 S *	5/1987	Cleveland, Jr.	D34/39
4,759,139 A	7/1988	Ricks	
D297,308 S	8/1988	Lyons	
D326,051 S *	5/1992	Frahm	D9/558
D326,608 S *	6/1992	Frahm	D9/500
D345,503 S *	3/1994	Murphy	D9/500
D353,543 S	12/1994	Matsumoto	
D382,806 S	8/1997	Wilson et al.	
5,984,141 A	11/1999	Gibler	

6,240,668 B1	6/2001	Clawson	
D499,649 S	12/2004	Olivares et al.	
D518,380 S *	4/2006	Moran	D9/502
D539,608 S	4/2007	Lapsker	
D561,590 S *	2/2008	Kingsley	D9/500
D581,272 S *	11/2008	Yourist et al.	D9/502
7,562,782 B2	7/2009	Yorita	
D598,286 S	8/2009	DeMarco	
D603,707 S	11/2009	Lourenco et al.	
D619,471 S	7/2010	Graunstadt et al.	
7,854,104 B2	12/2010	Cronin et al.	
2004/0182047 A1 *	9/2004	Thierjung et al.	53/421
2004/0205989 A1	10/2004	Michaels	
2004/0217139 A1	11/2004	Roth et al.	
2006/0118435 A1	6/2006	Cronin et al.	
2006/0118507 A1	6/2006	Feldman	
2007/0039959 A1	2/2007	Choi et al.	
2007/0251910 A1	11/2007	Mastin	
2008/0000992 A1	1/2008	Mediare	
2008/0116086 A1	5/2008	Hung	
2010/0213085 A1	8/2010	Belnap	

* cited by examiner

Primary Examiner — Terry Wallace

Assistant Examiner — Dana L Meyrow

(74) *Attorney, Agent, or Firm* — Frijouf, Rust & Pyle, P.A.

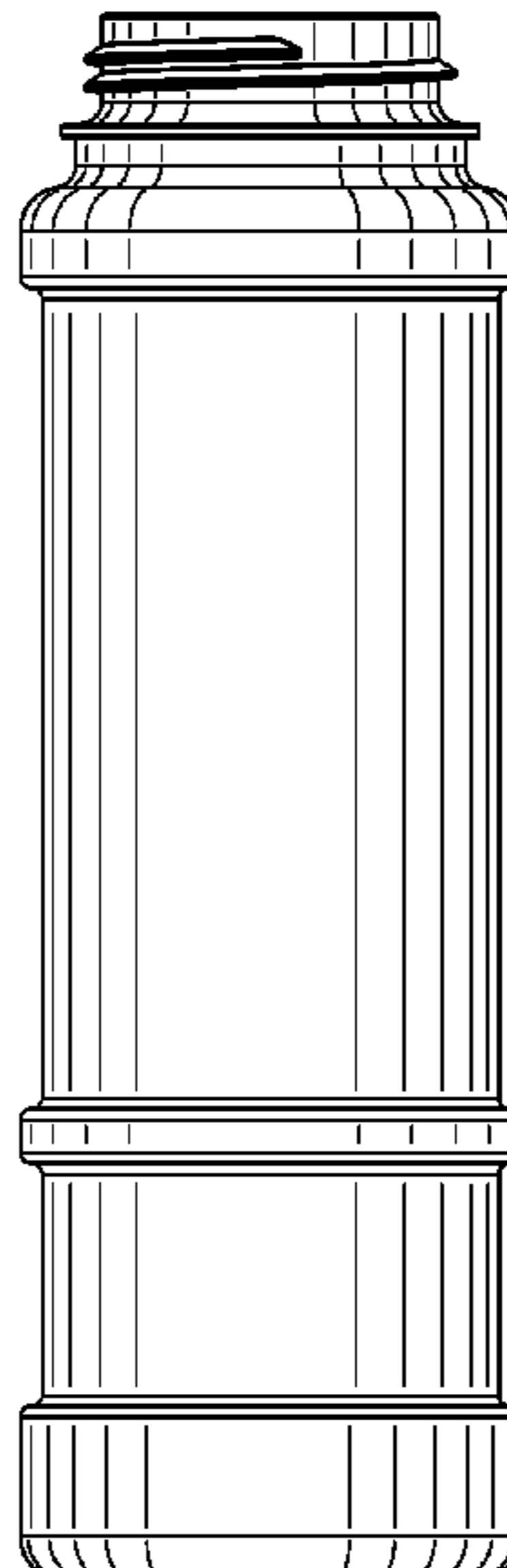
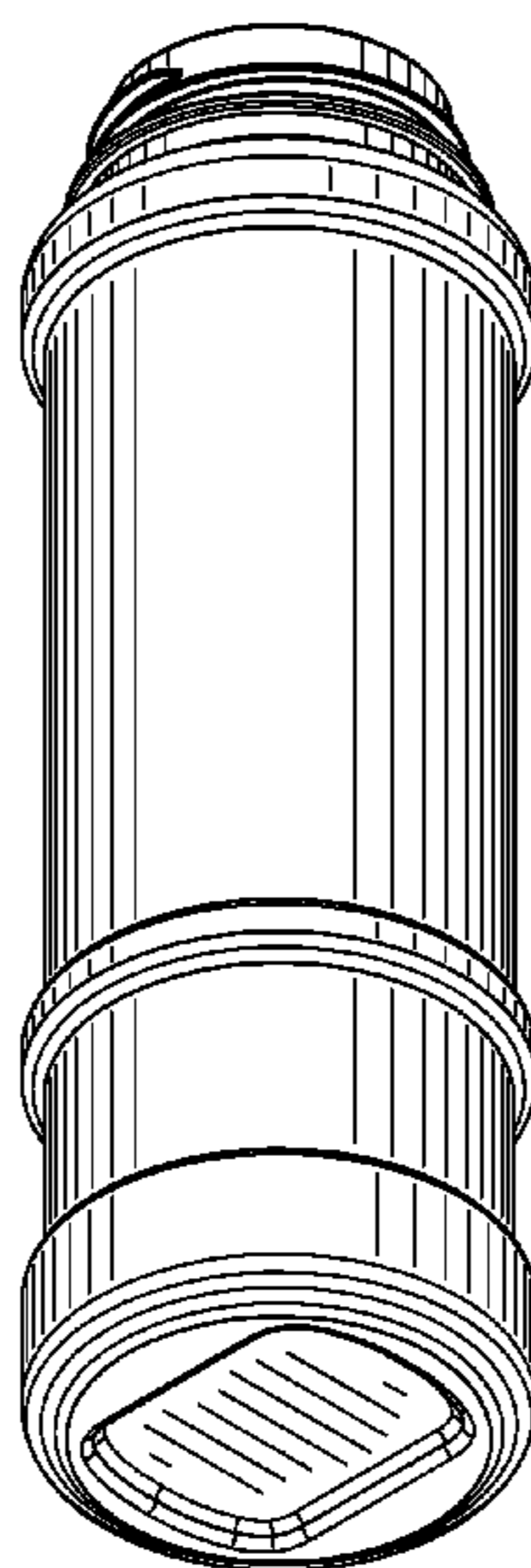
(57) **CLAIM**

I claim the ornamental design for a container, as shown and described.

DESCRIPTION

FIG. 1 is a top perspective view of a container showing my new design;
FIG. 2 is a bottom perspective view of FIG. 1;
FIG. 3 is a front view of FIG. 1;
FIG. 4 is a rear view of FIG. 1;
FIG. 5 is a top view of FIG. 1;
FIG. 6 is a bottom view of FIG. 1;
FIG. 7 is a right side view of FIG. 1; and,
FIG. 8 is a left side view of FIG. 1.

1 Claim, 4 Drawing Sheets



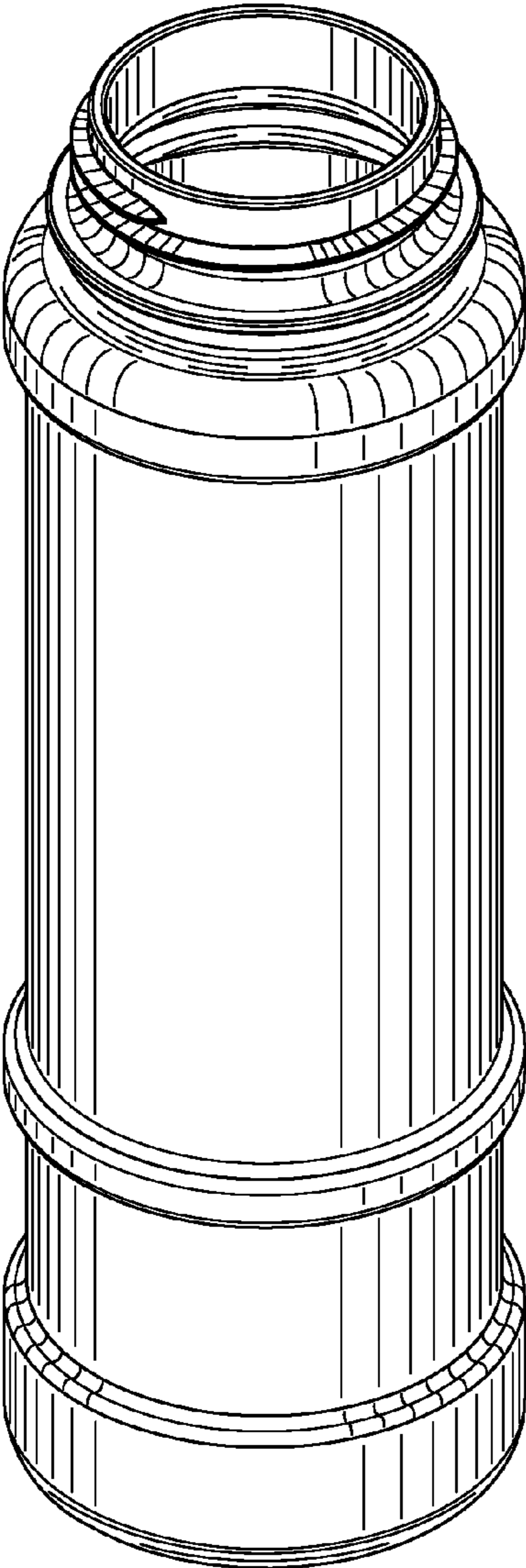


FIG. 1

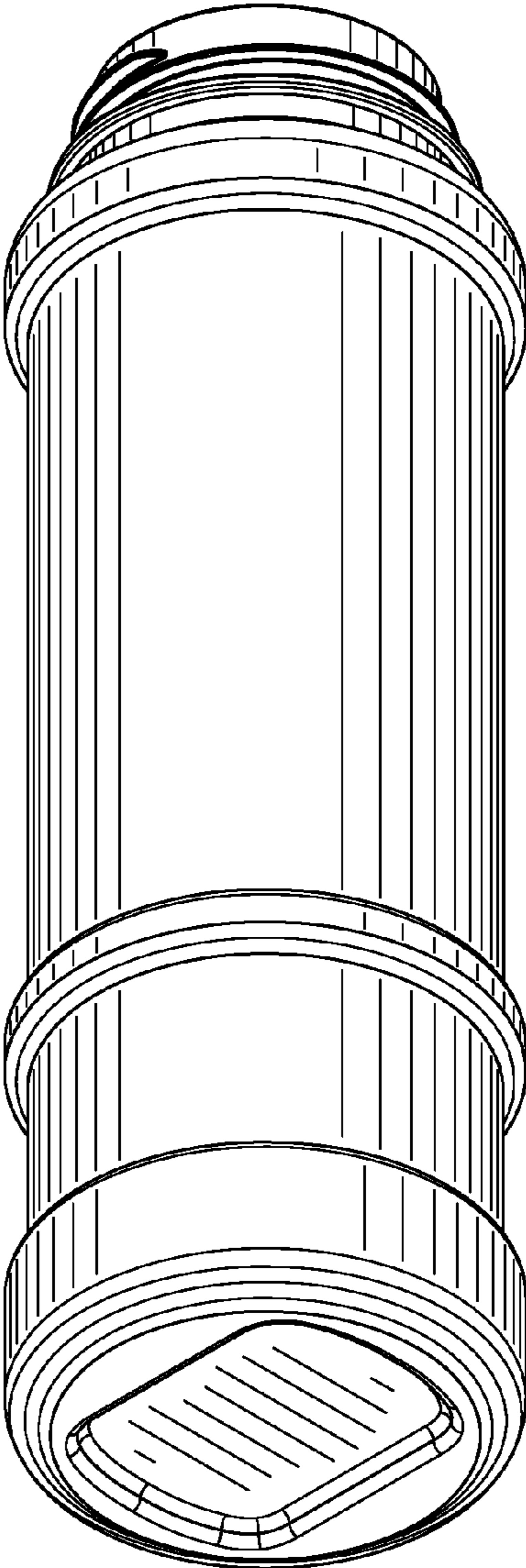


FIG. 2

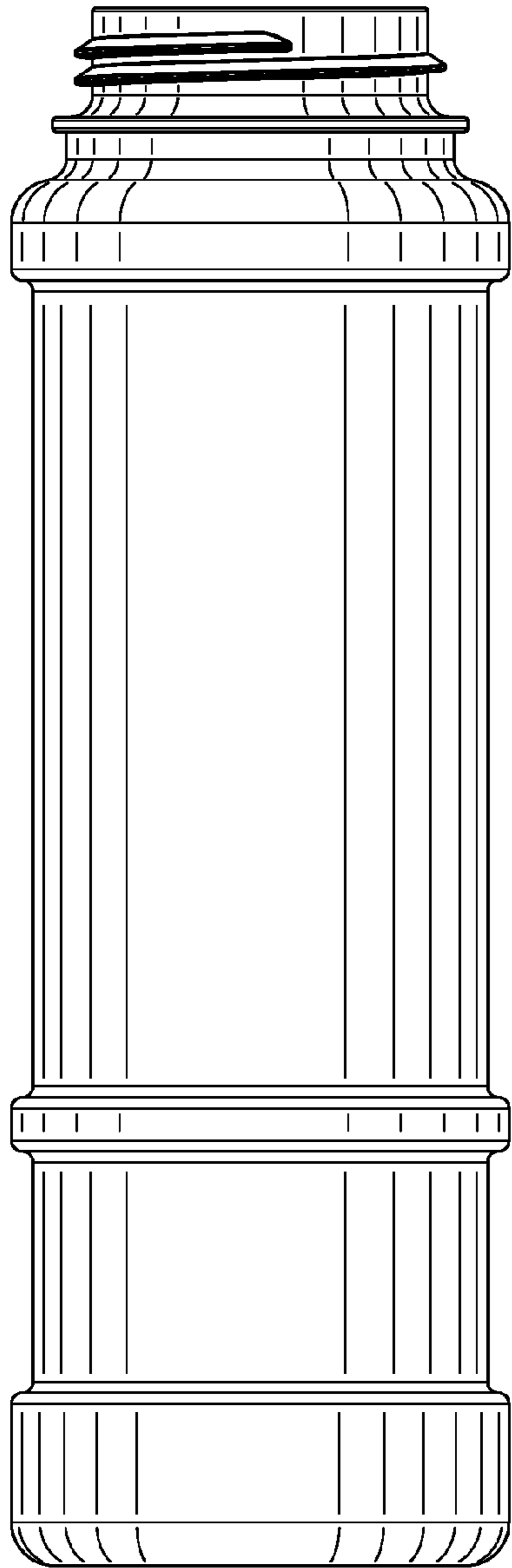


FIG. 3

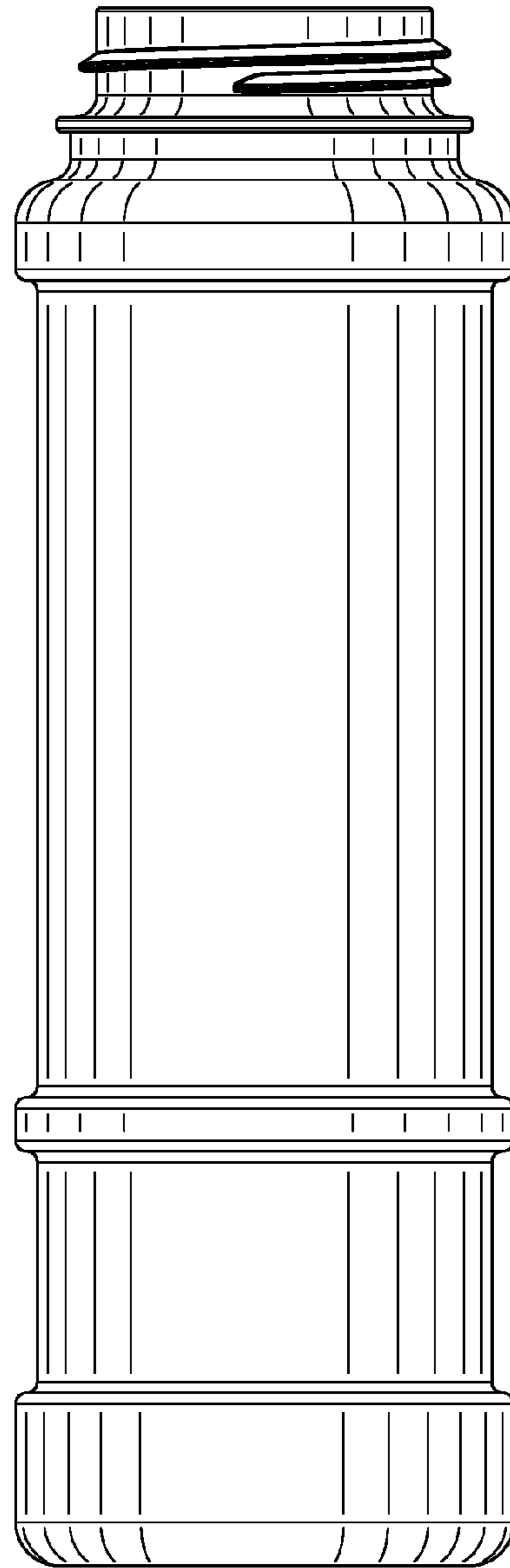


FIG. 4

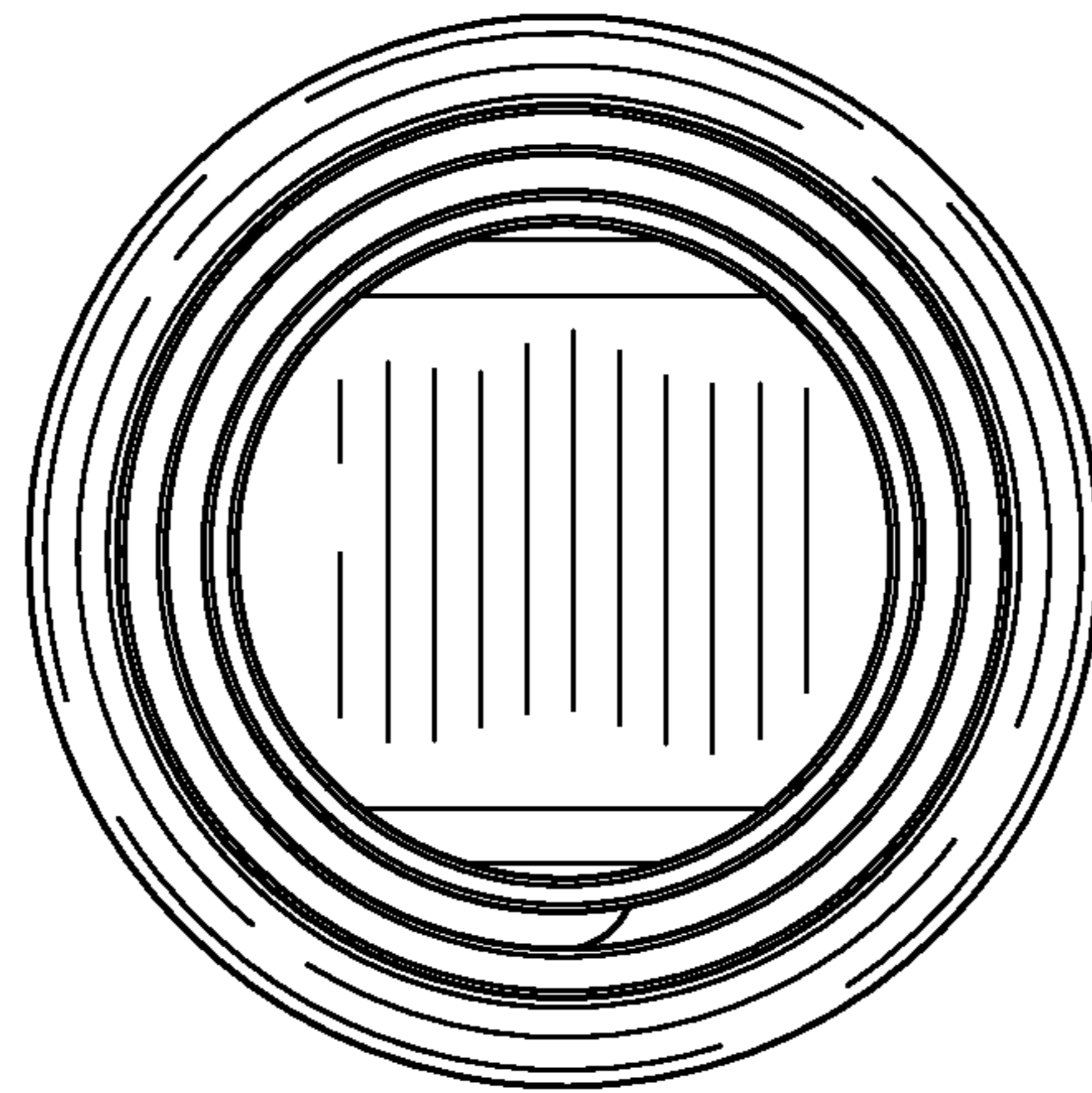


FIG. 5

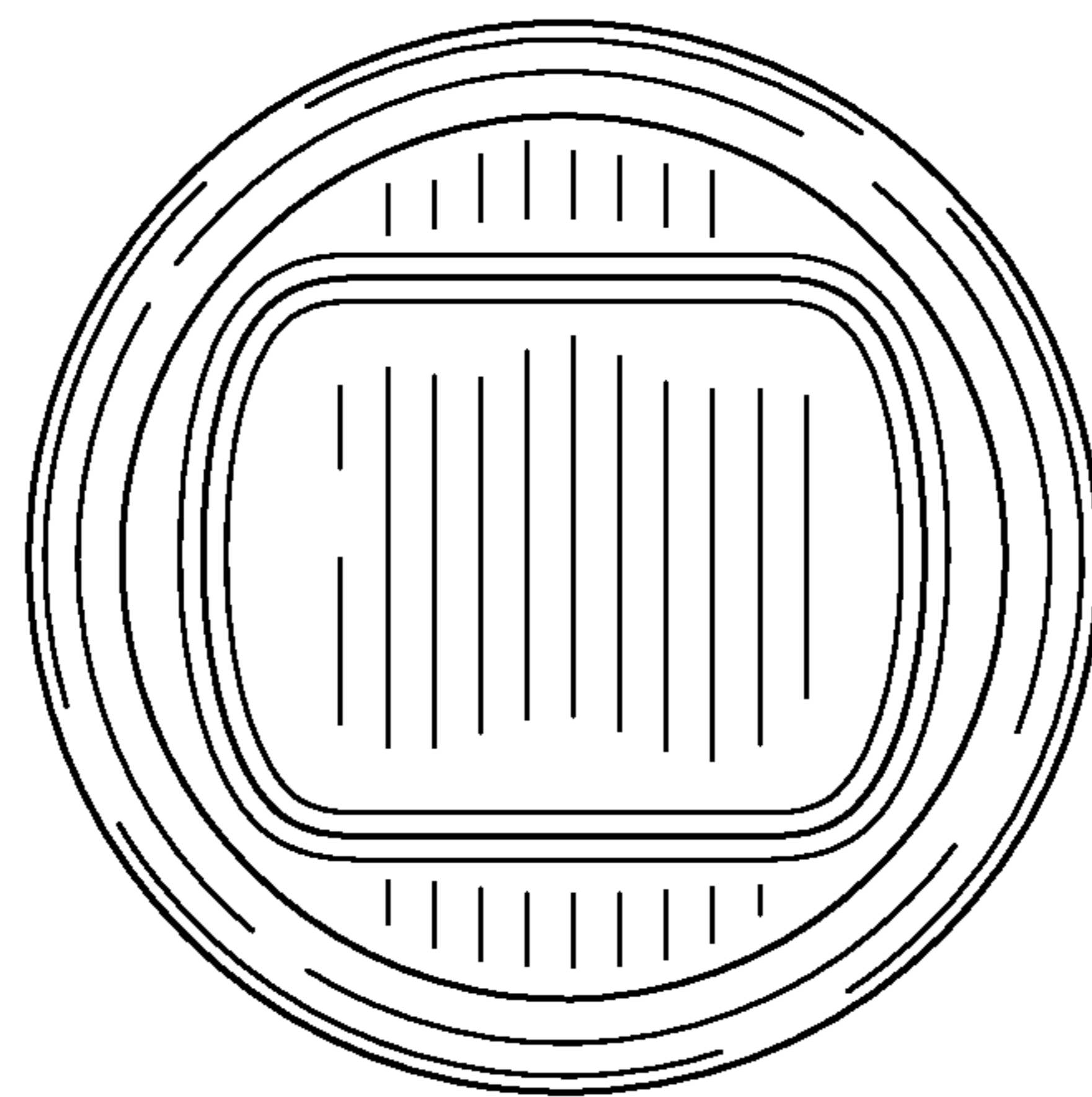


FIG. 6

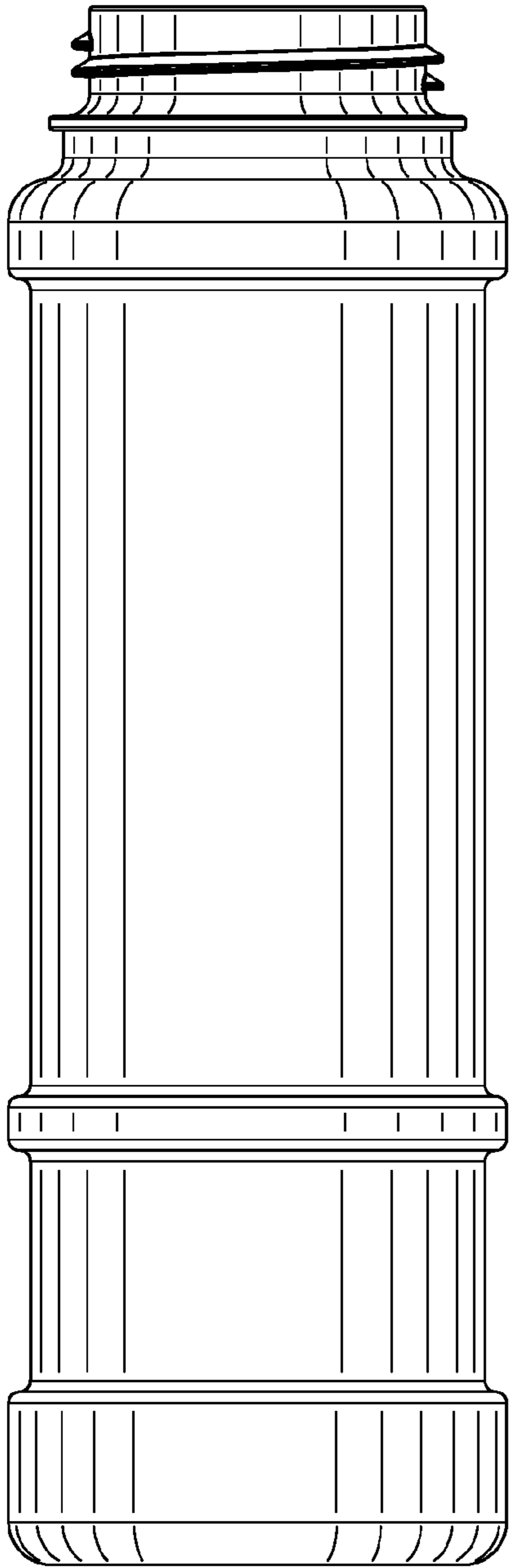


FIG. 7

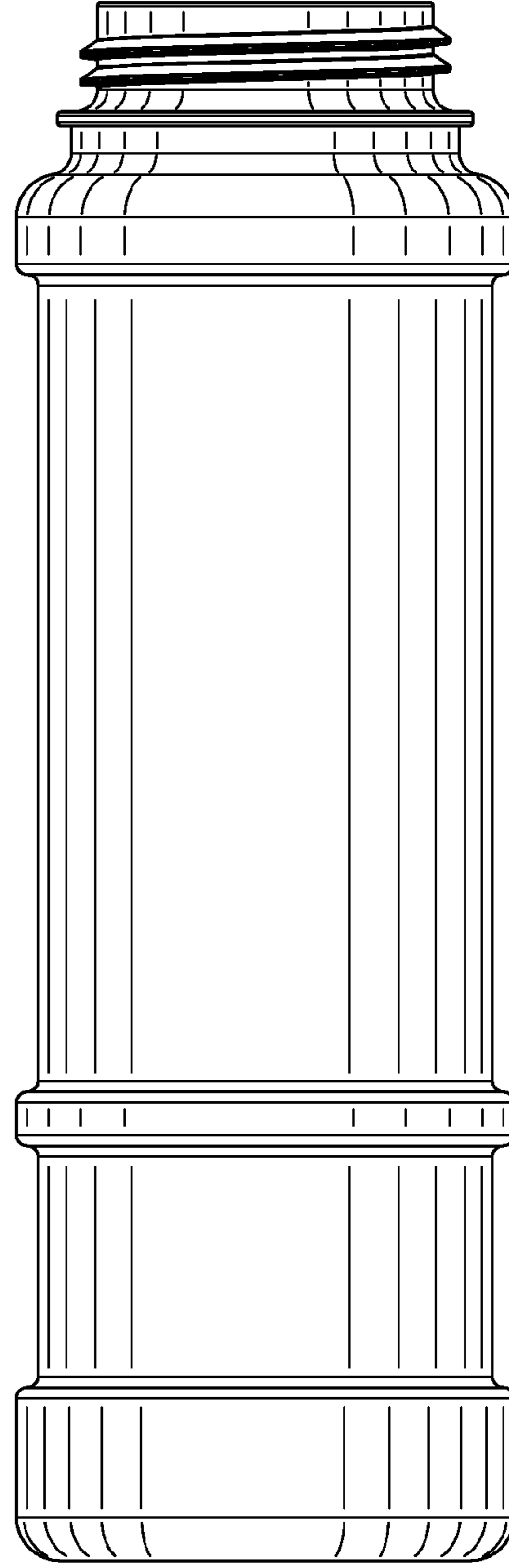


FIG. 8