



US00D696117S

(12) **United States Design Patent**  
**Lee**

(10) **Patent No.:** **US D696,117 S**  
(45) **Date of Patent:** **\*\* Dec. 24, 2013**

(54) **COSMETIC CONTAINER**

(75) Inventor: **Man Lee**, Incheon (KR)

(73) Assignee: **Yonwoo Co., Ltd**, Incheon (KR)

(\*\*) Term: **14 Years**

(21) Appl. No.: **29/416,396**

(22) Filed: **Mar. 21, 2012**

(30) **Foreign Application Priority Data**

Sep. 23, 2011 (KR) ..... 30-2011-0039567

(51) **LOC (9) Cl.** ..... **09-01**

(52) **U.S. Cl.**  
USPC ..... **D9/500; D9/558**

(58) **Field of Classification Search**  
USPC ..... D9/500, 502-505, 516, 537, 539-540,  
D9/545, 549, 558, 682, 685-686, 688-692,  
D9/763, 772-773; D24/121, 224; 215/379,  
215/382; 220/660, 669-673, 675  
See application file for complete search history.

(56) **References Cited**

**U.S. PATENT DOCUMENTS**

D31,234 S \* 7/1899 Estes ..... D9/505  
2,923,427 A \* 2/1960 Klopfenstein ..... 215/230

3,460,702 A \* 8/1969 Andrews ..... 215/247  
D239,922 S \* 5/1976 Utley ..... D9/500  
D241,012 S \* 8/1976 de Muller ..... D9/500  
5,230,427 A \* 7/1993 Betts et al. .... 206/213.1  
D378,940 S \* 4/1997 Baxter ..... D24/224  
5,750,075 A \* 5/1998 Spike ..... 422/558  
D416,195 S \* 11/1999 Faughey et al. .... D9/719  
D418,607 S \* 1/2000 Asselta ..... D24/224  
D427,691 S \* 7/2000 Asselta ..... D24/224

\* cited by examiner

*Primary Examiner* — Terry Wallace  
*Assistant Examiner* — Dana L Meyrow

(57) **CLAIM**

I claim the ornamental design for a cosmetic container, as shown and described.

**DESCRIPTION**

FIG. 1 is a perspective view of the cosmetic container showing my new design view;  
FIG. 2 is a front elevational view thereof;  
FIG. 3 is a rear elevational view thereof;  
FIG. 4 is a left side elevational view thereof, where the right elevational view is symmetrical with the left elevational view;  
FIG. 5 is a top plan view thereof; and,  
FIG. 6 is a bottom plan view thereof.

**1 Claim, 3 Drawing Sheets**

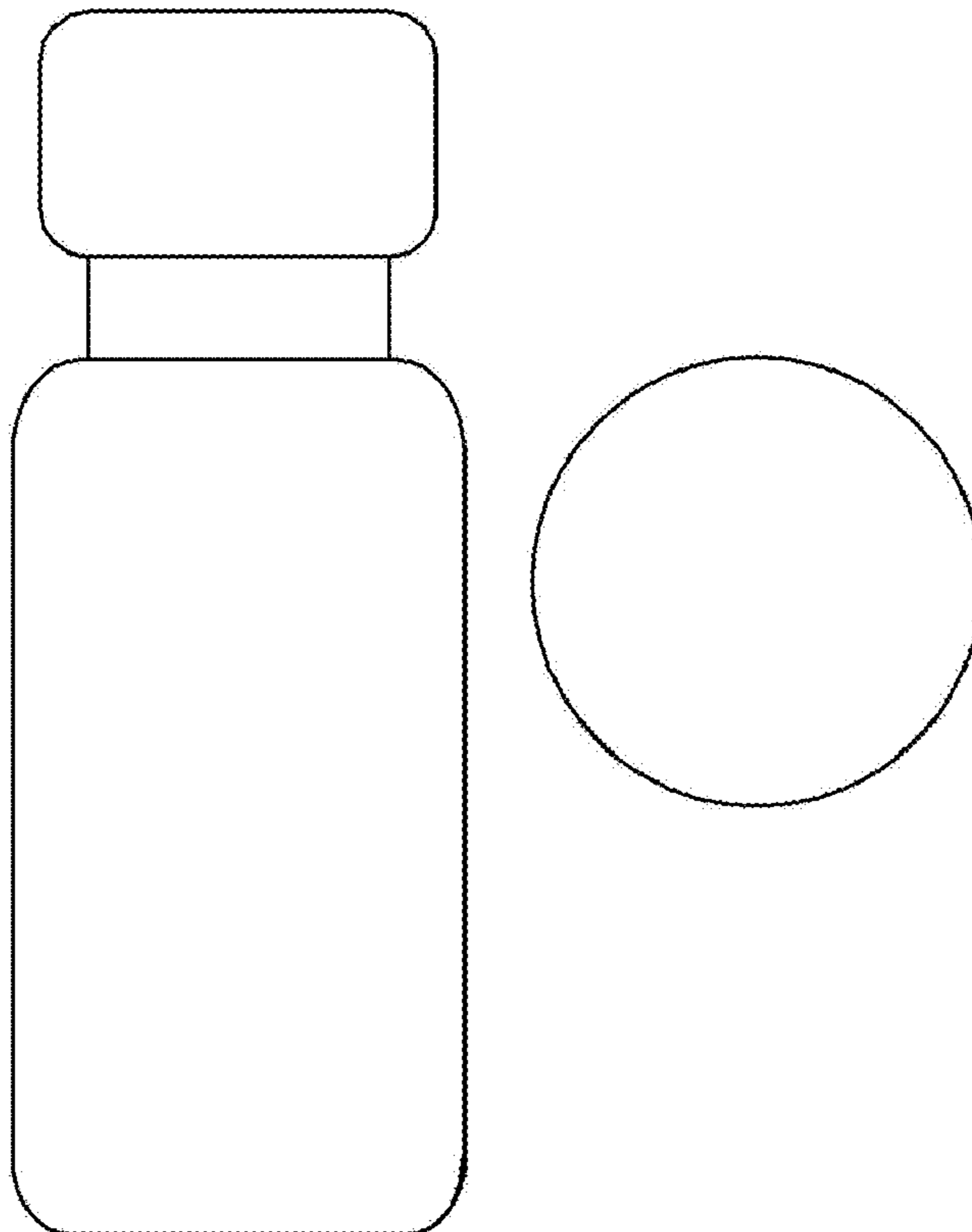


Fig. 1

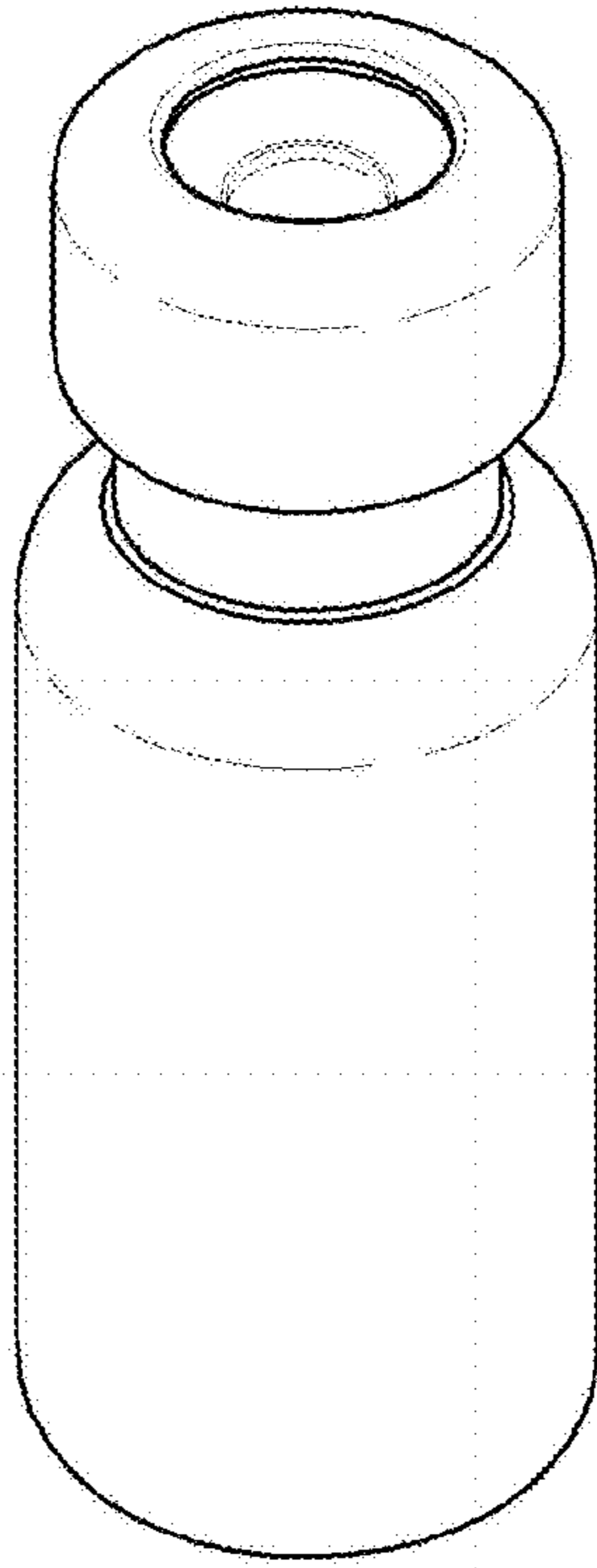


Fig. 2

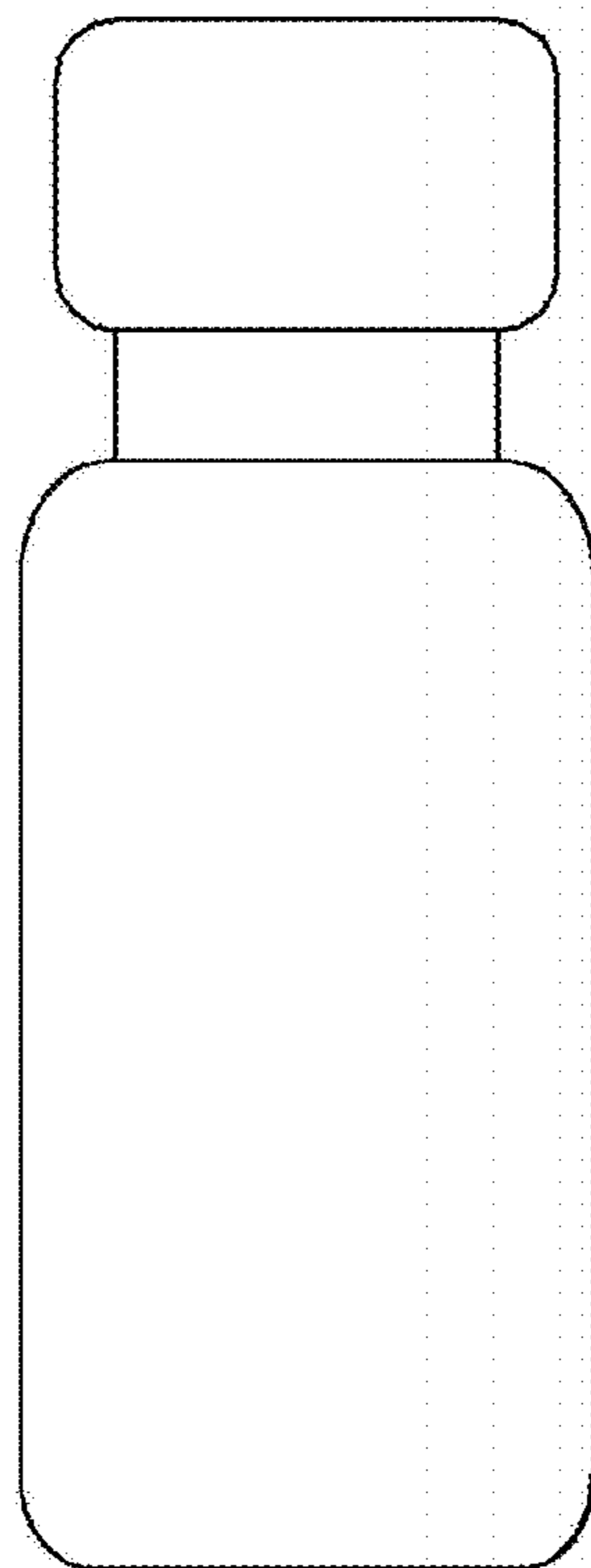


Fig. 3

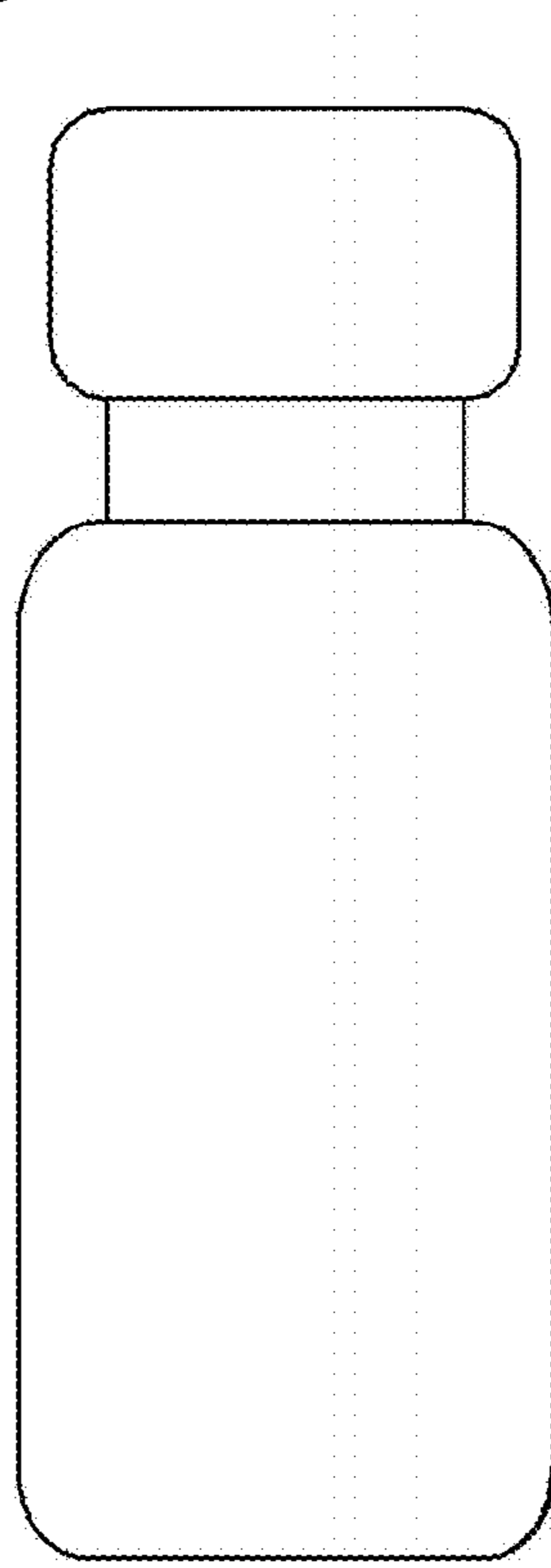


Fig. 4

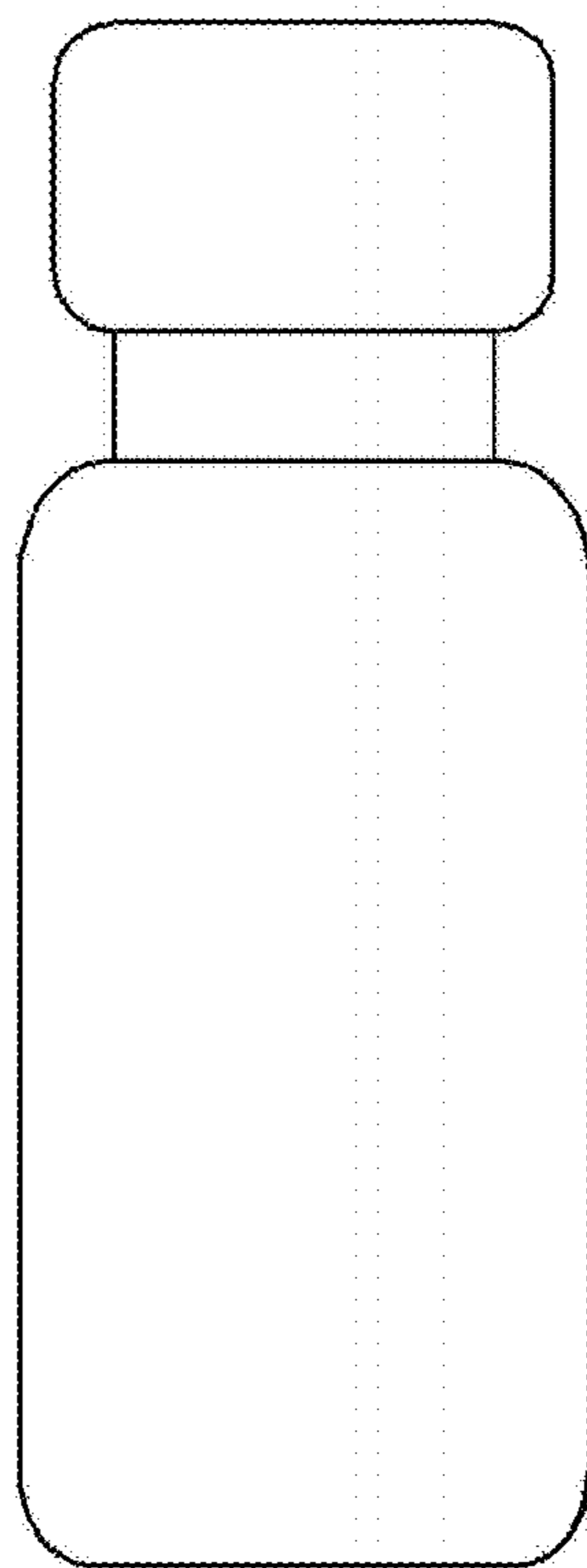


Fig. 5

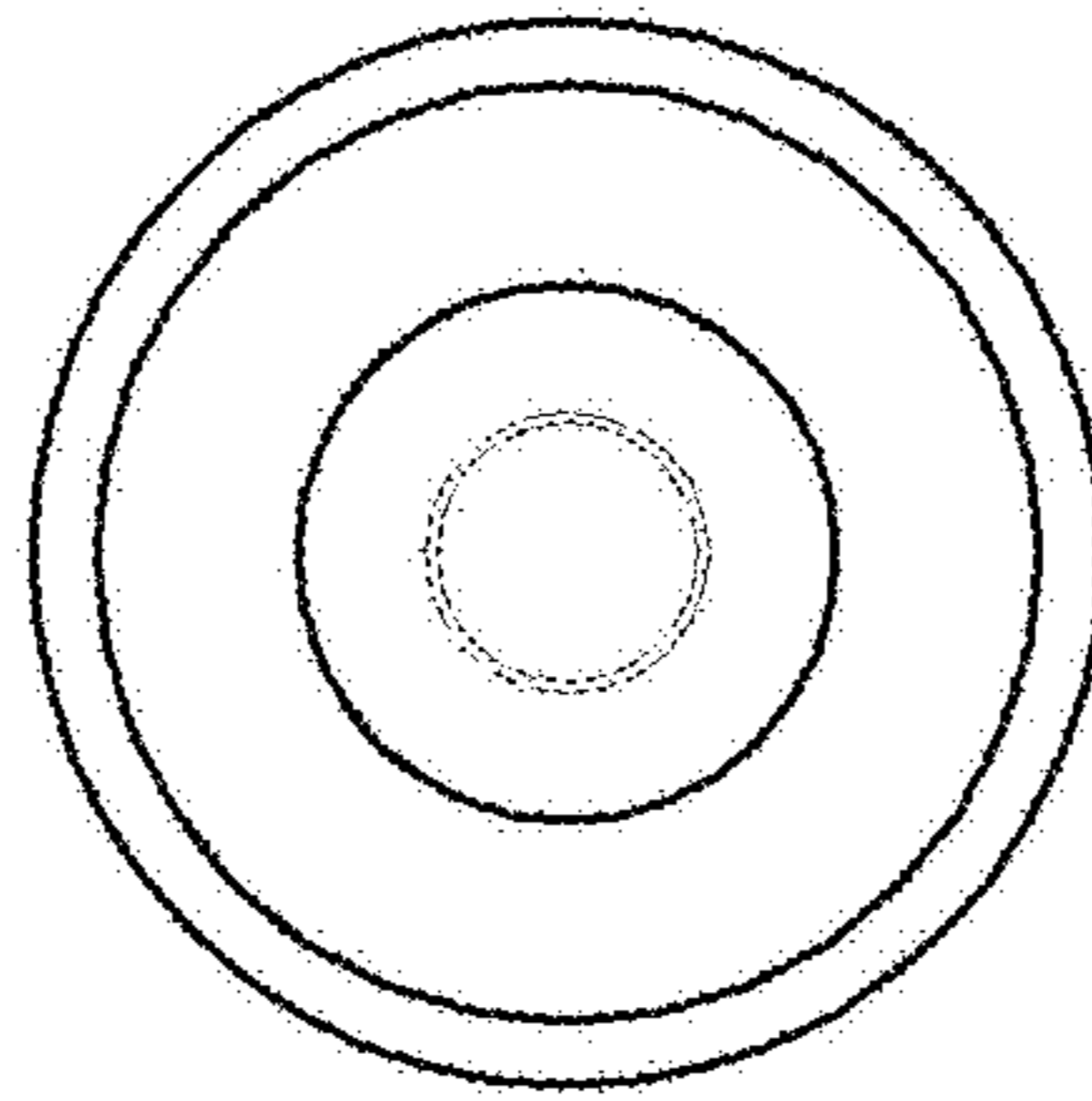


Fig. 6

