



US00D696114S

(12) **United States Design Patent**
Arch et al.

(10) **Patent No.:** **US D696,114 S**

(45) **Date of Patent:** **** Dec. 24, 2013**

(54) **SELF-SEALING BAG IN BOX CAP ASSEMBLY**

(56)

References Cited

(75) Inventors: **James J. Arch**, Berkley, IL (US);
Charles Thurman, Northlake, IL (US)

U.S. PATENT DOCUMENTS

(73) Assignee: **Scholle Corporation**, Irvine, CA (US)

4,377,248	A *	3/1983	Stull	222/543
D455,077	S *	4/2002	Gaiser et al.	D9/449
D508,853	S *	8/2005	Ziegenhorn et al.	D9/449
2005/0279781	A1 *	12/2005	Pugne	222/556

(**) Term: **14 Years**

* cited by examiner

(21) Appl. No.: **29/429,061**

Primary Examiner — Susan Bennett Hattan

(22) Filed: **Aug. 7, 2012**

(74) *Attorney, Agent, or Firm* — The Watson I.P. Group, PLC; Jovan N. Jovanovic; Vladan M. Vasiljevic

Related U.S. Application Data

(57) **CLAIM**

(60) Division of application No. 29/383,152, filed on Jan. 13, 2011, now Pat. No. Des. 664,847, which is a continuation-in-part of application No. 12/589,368, filed on Oct. 22, 2009, now Pat. No. 8,448,799.

The ornamental design for a self-sealing bag in box cap assembly, as shown and described.

(51) **LOC (9) Cl.** **09-07**

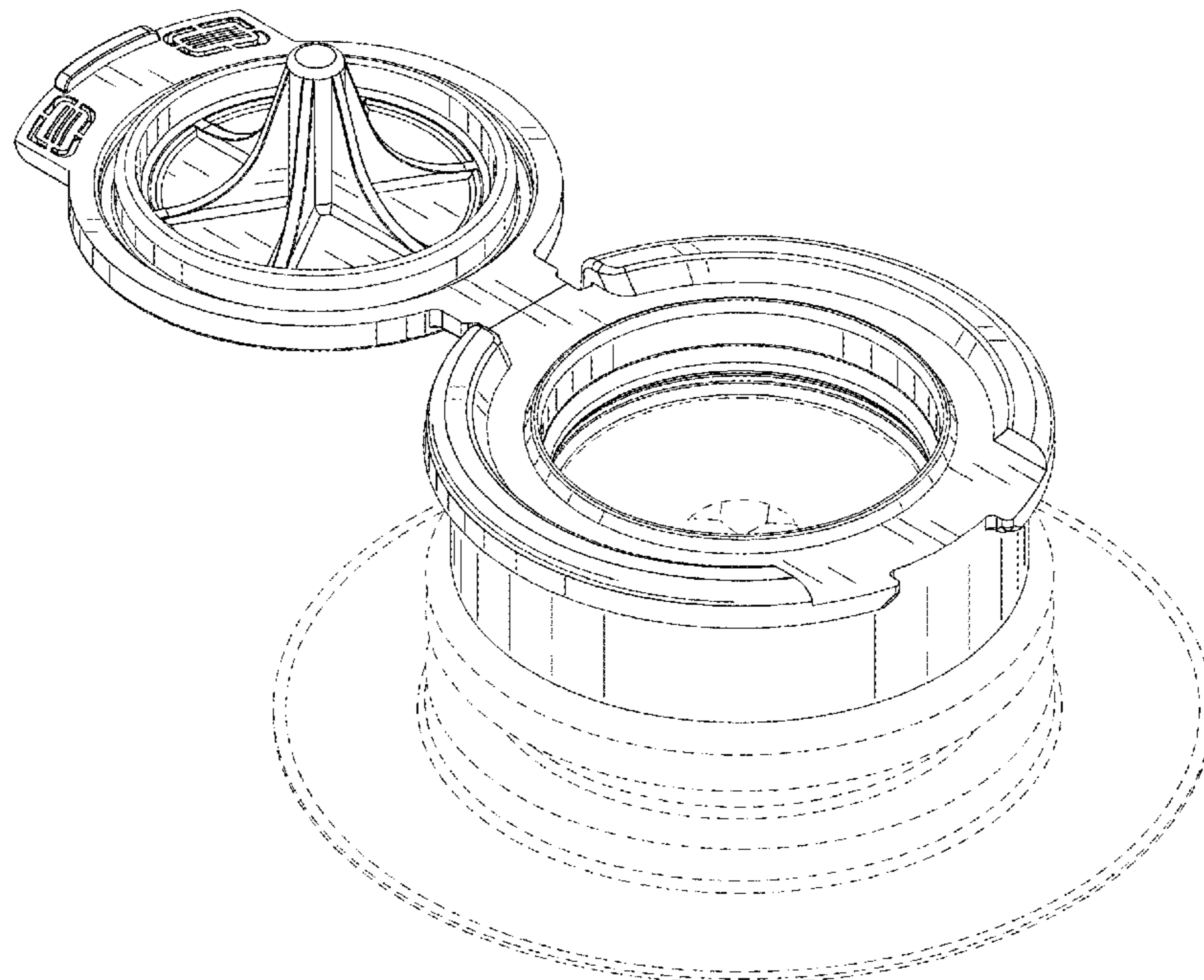
DESCRIPTION

(52) **U.S. Cl.**
USPC **D9/449**

(58) **Field of Classification Search**
USPC D9/454, 452, 449, 447, 440, 436, 435,
D9/697, 422, 433, 432, 430, 434, 420;
D7/392.1; 222/566, 521, 494; 220/837,
220/835, 811, 810, 713, 375, 260, 254.7,
220/254.3, 254.1; 215/322, 321, 306, 305,
215/237, 235; 206/828, 734, 540, 539, 538,
206/219, 216; 229/906.1; D23/213
See application file for complete search history.

FIG. 1 of the drawings is a top perspective view of the self-sealing bag in box cap assembly, showing, in particular the ornamental design thereof in an open configuration;
FIG. 2 of the drawings is a bottom perspective view thereof;
FIG. 3 of the drawings is a top plan view thereof;
FIG. 4 of the drawings is a bottom plan view thereof;
FIG. 5 of the drawings is a first side elevational view thereof;
FIG. 6 of the drawings is a second side elevational view thereof;
FIG. 7 of the drawings is a front elevational view thereof; and,
FIG. 8 of the drawings is a back elevational view thereof.
The dashed lines show the self-sealing bag in a box assembly in its environment and form no part of the claimed design.

1 Claim, 7 Drawing Sheets



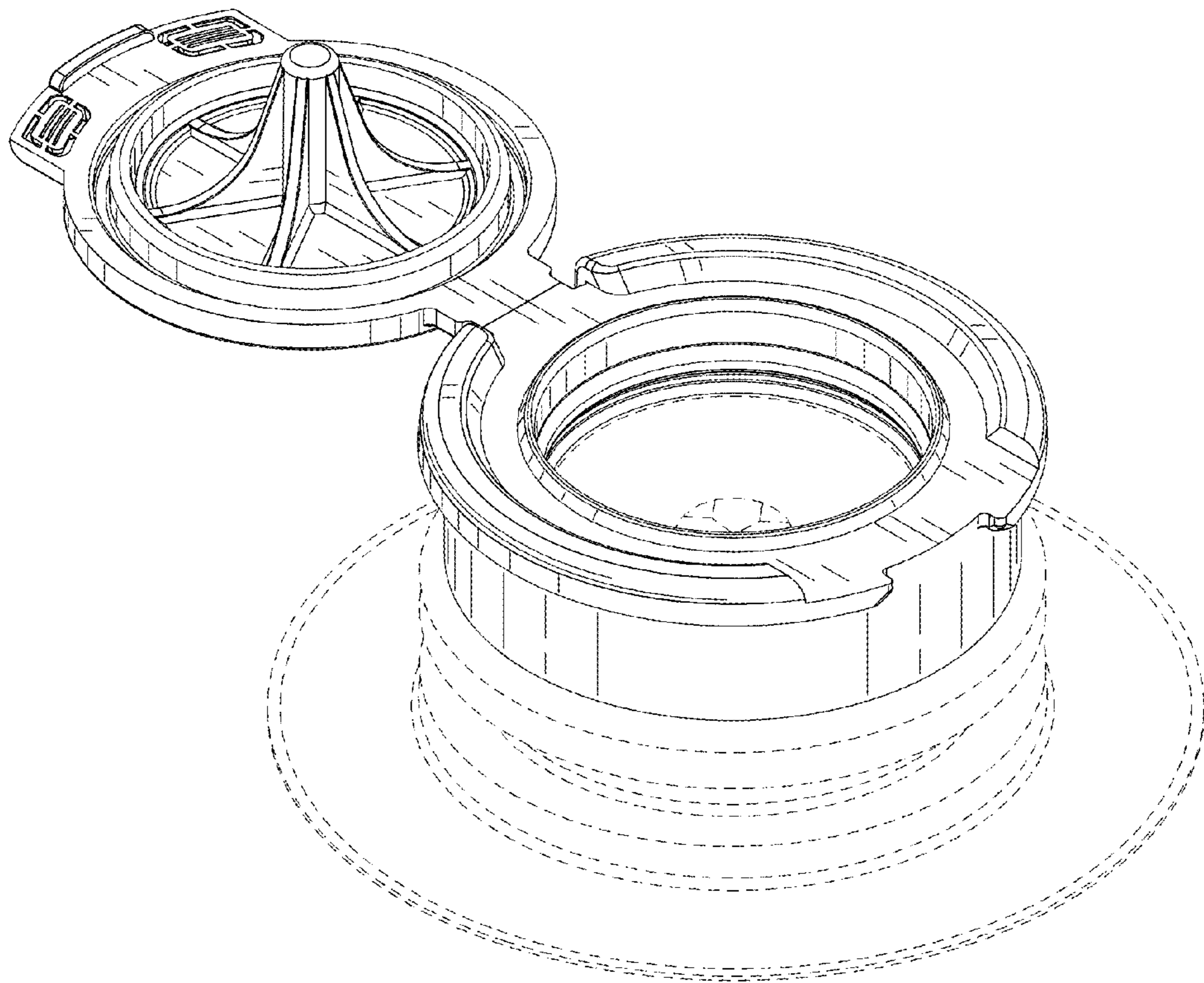


FIG. 1

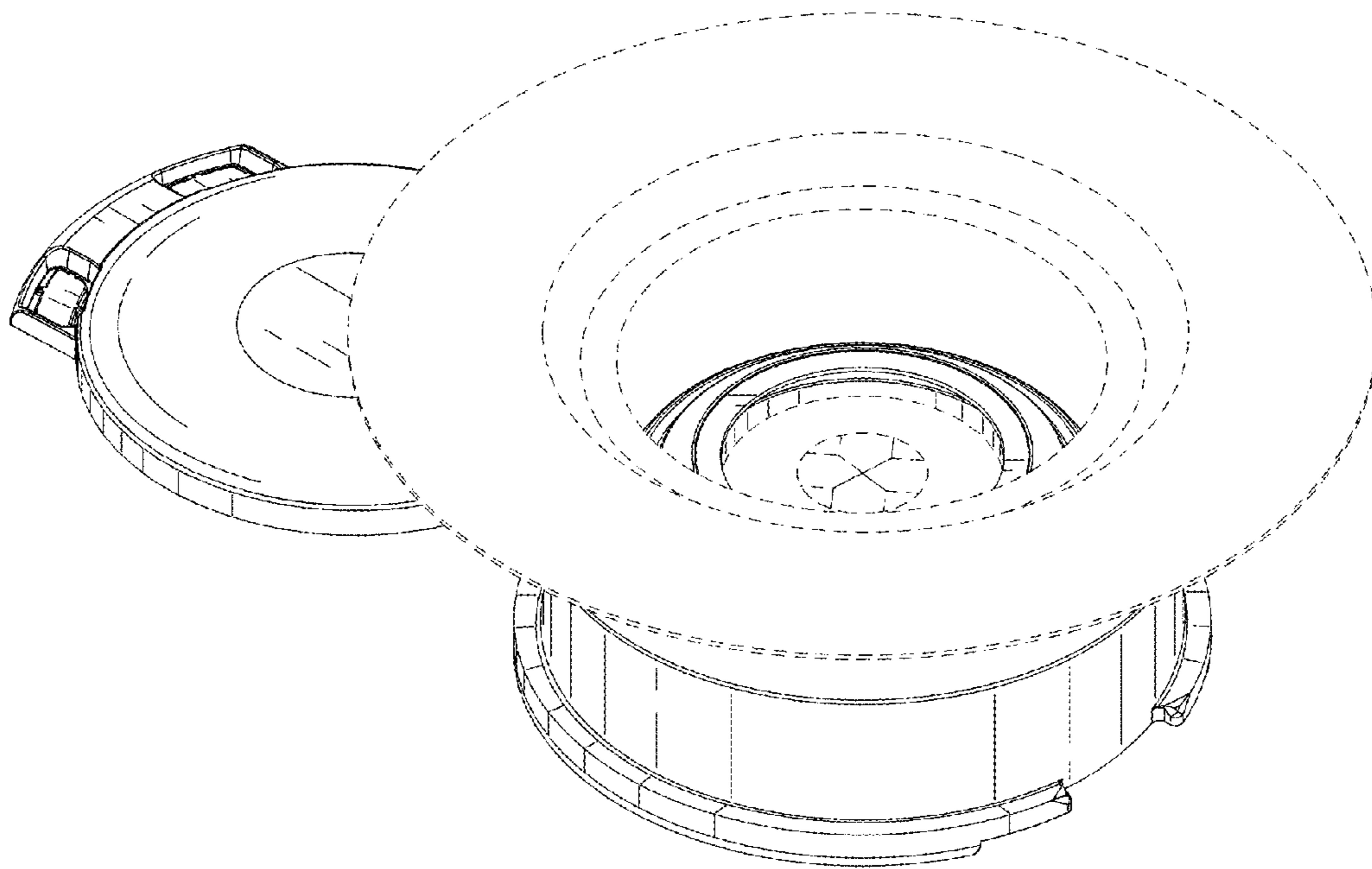


FIG. 2

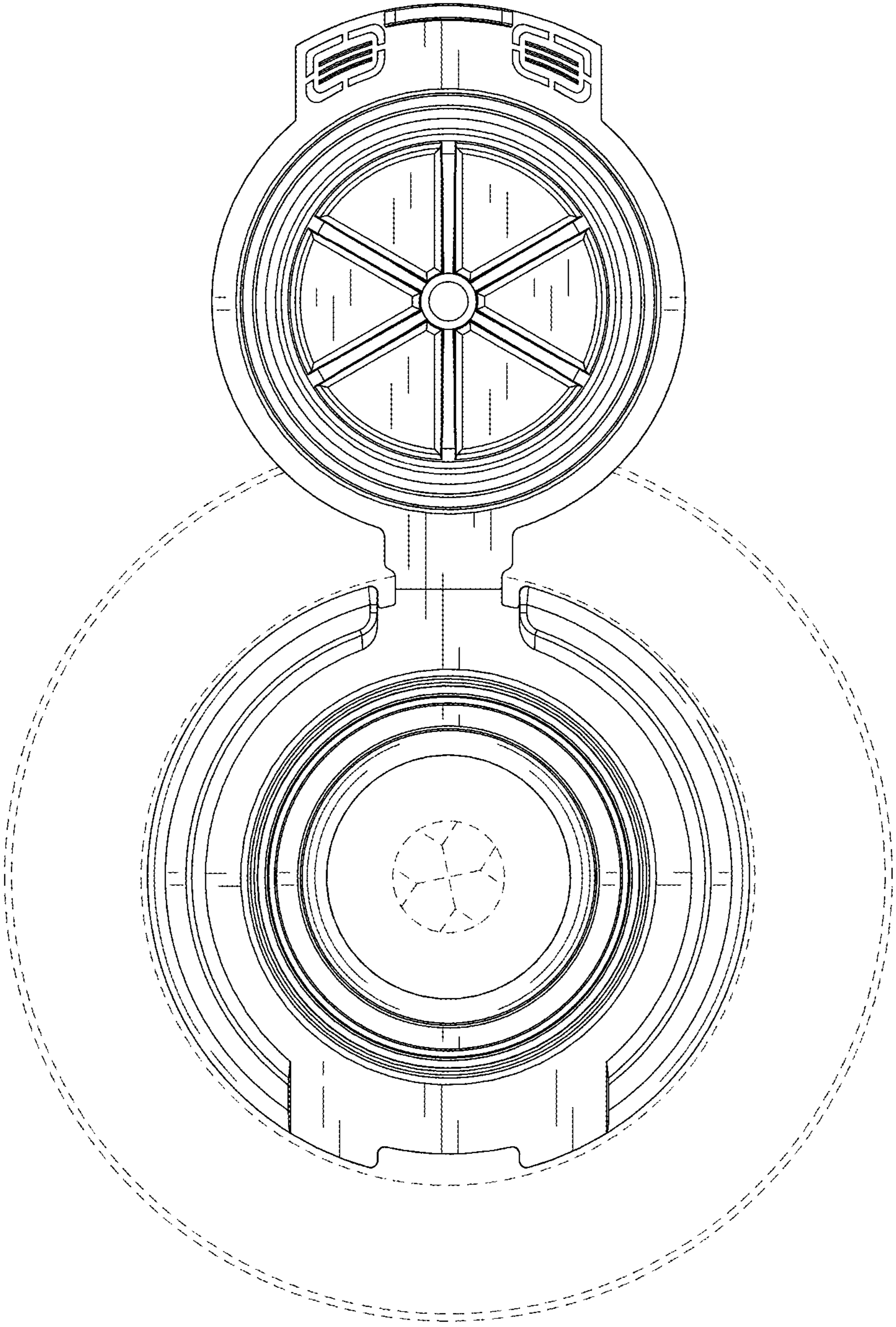


FIG. 3

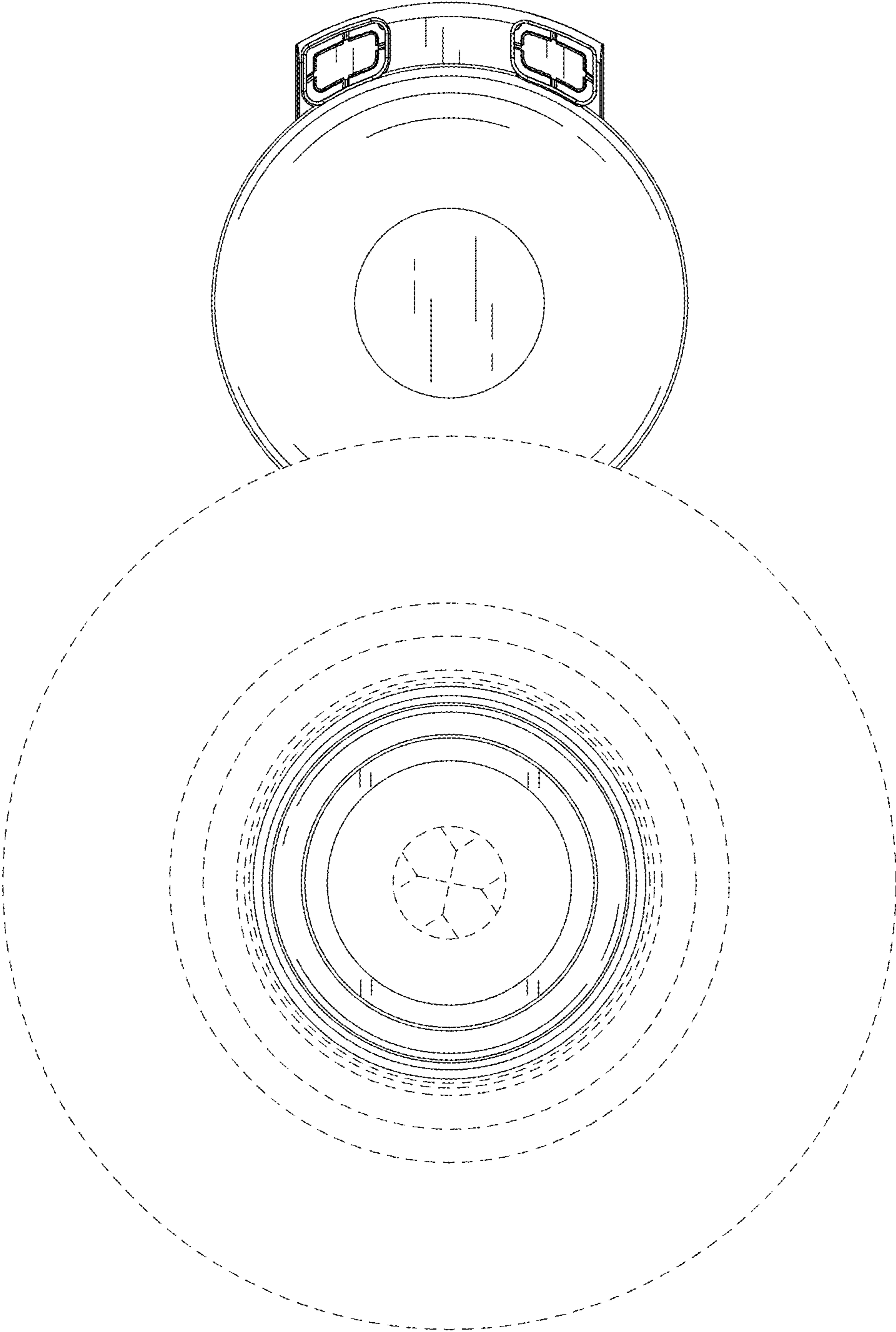


FIG. 4

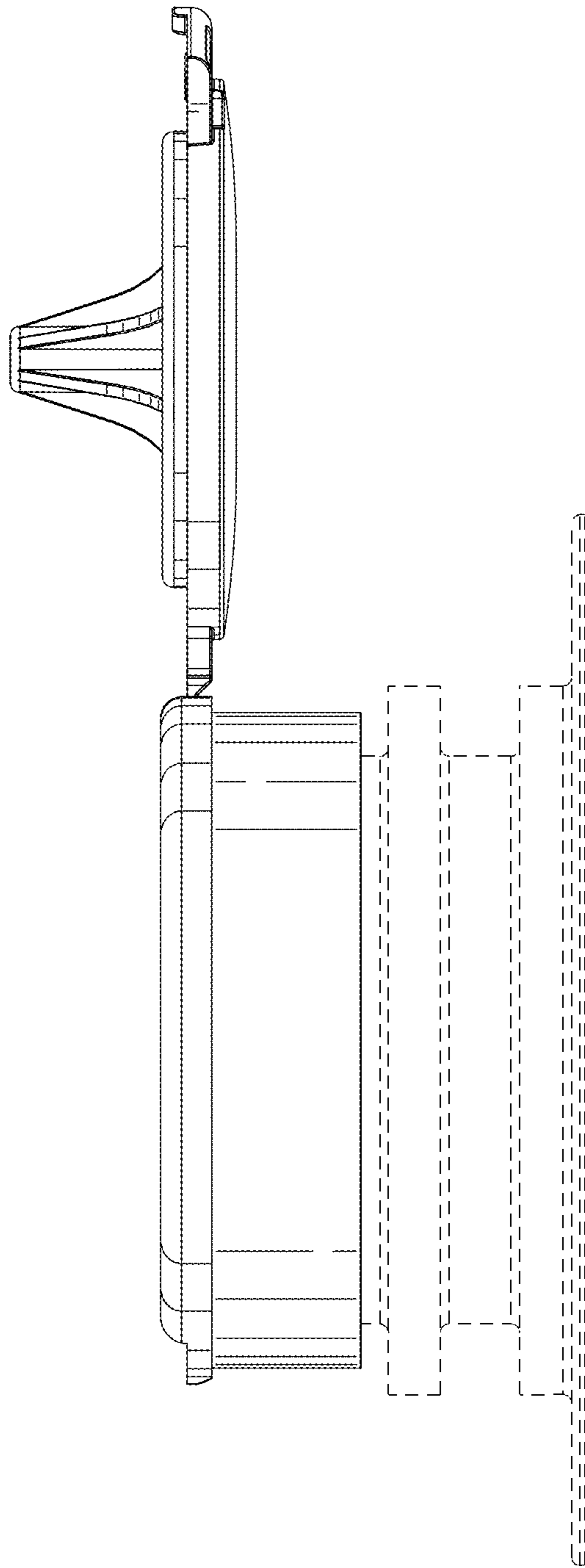


FIG. 5

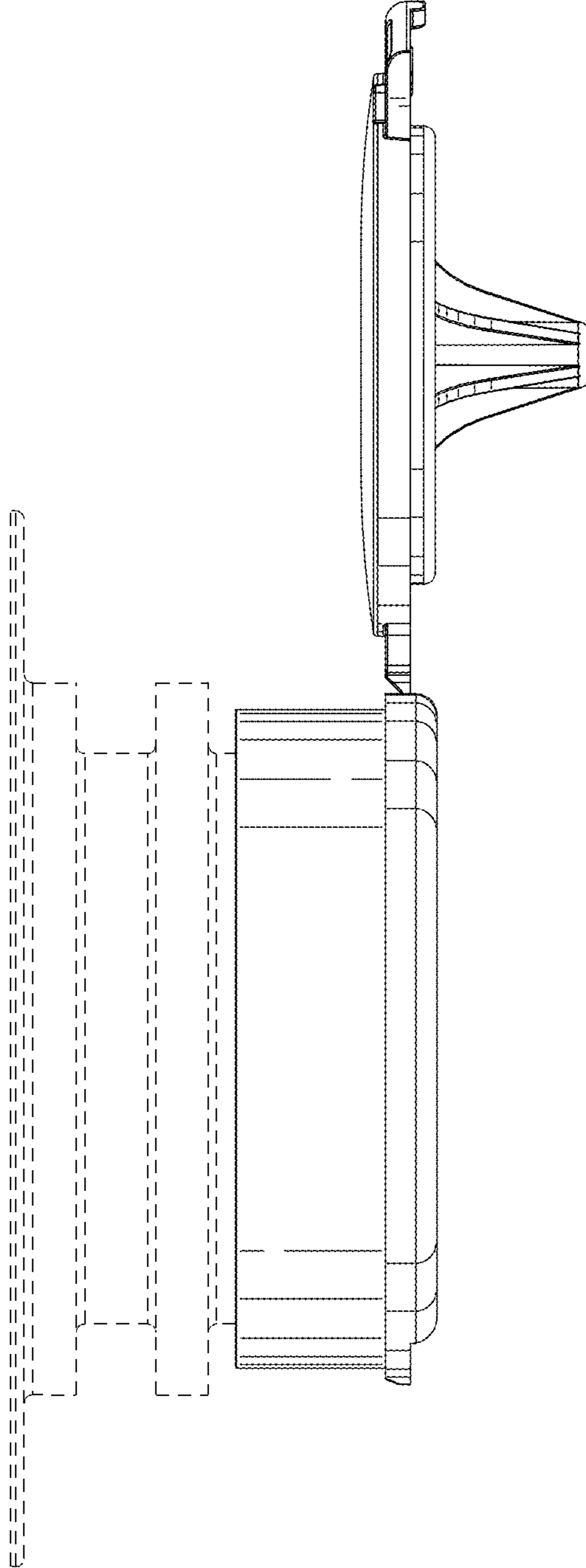


FIG. 6

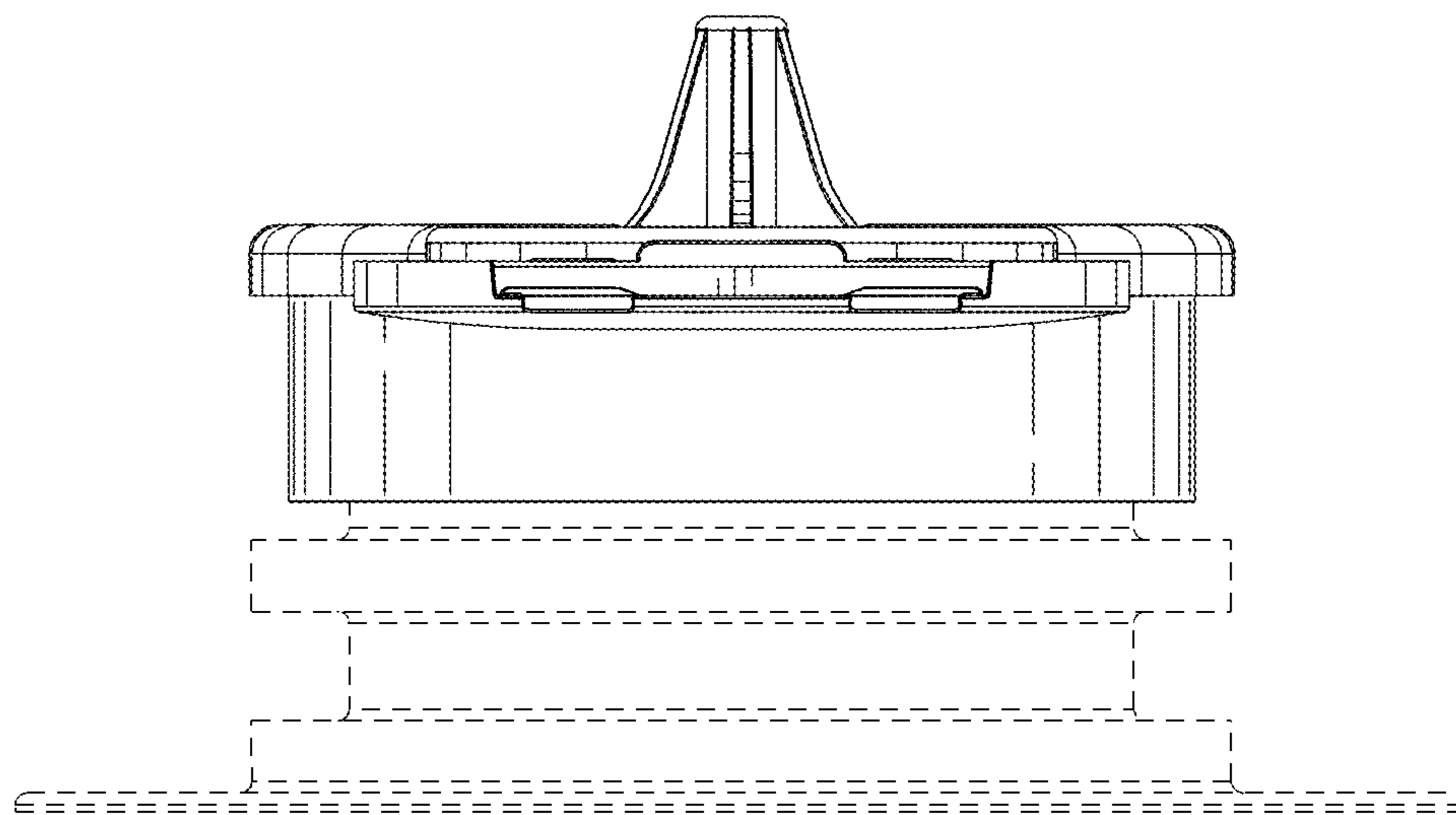


FIG. 7

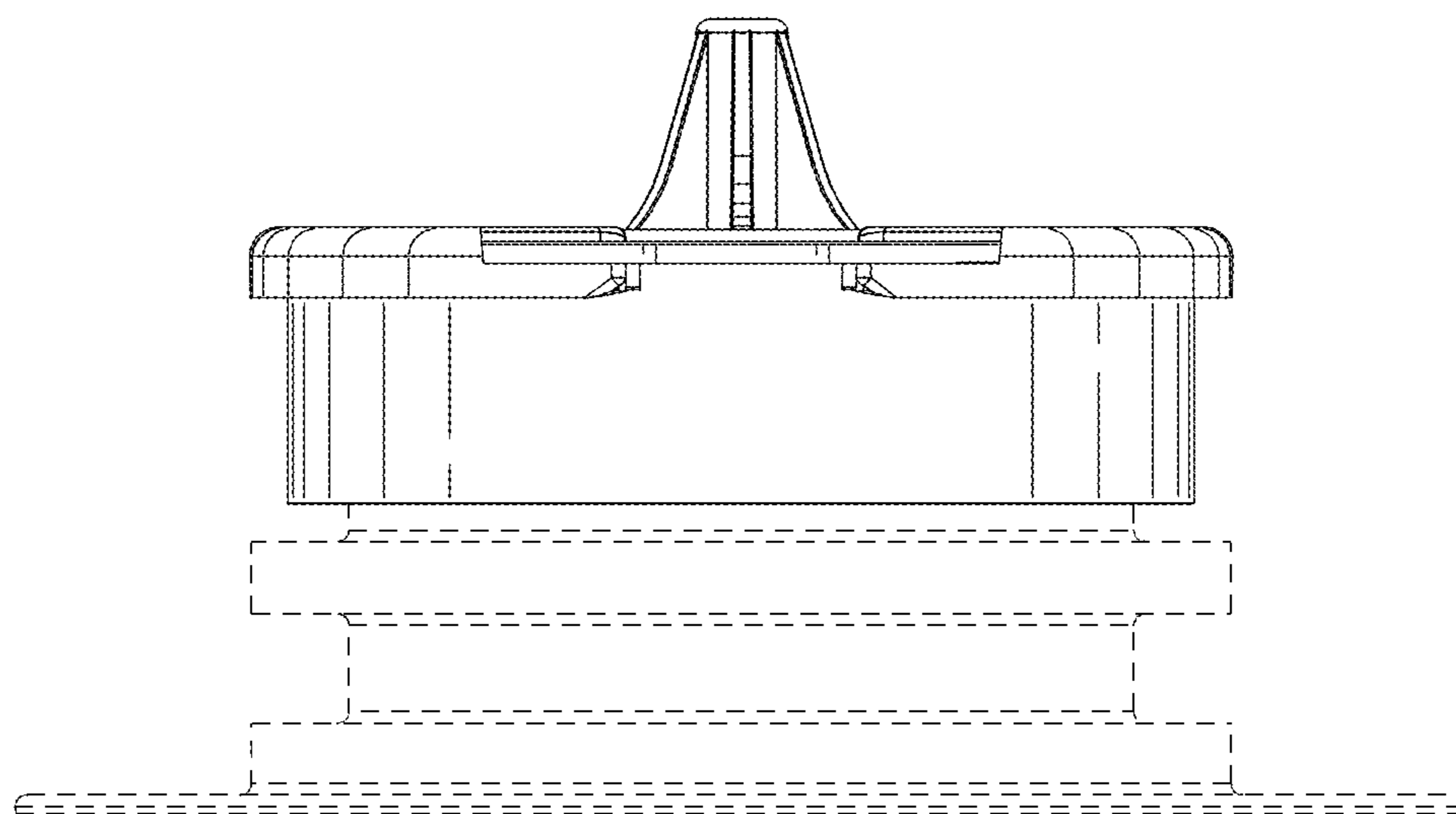


FIG. 8