



US00D696113S

(12) **United States Design Patent**  
**Stein**

(10) **Patent No.:** **US D696,113 S**

(45) **Date of Patent:** **\*\* Dec. 24, 2013**

(54) **COFFEE CUP LID**

(76) Inventor: **Todd Stein**, Mount Holly, NC (US)

(\*\*) Term: **14 Years**

(21) Appl. No.: **29/406,401**

(22) Filed: **Nov. 14, 2011**

(51) **LOC (9) Cl.** ..... **09-07**

(52) **U.S. Cl.**  
USPC ..... **D9/447; D9/454**

(58) **Field of Classification Search**  
USPC ..... D9/449, 447, 438, 435, 434; D7/510,  
D7/511, 396.2, 392.1; 229/906.1; 220/812,  
220/713, 268, 254.9, 254.3, 253  
See application file for complete search history.

(56) **References Cited**

**U.S. PATENT DOCUMENTS**

4,619,372	A	10/1986	McFarland	
5,509,568	A	4/1996	Warden et al.	
D377,293	S *	1/1997	Husted .....	D7/510
5,820,016	A	10/1998	Stropkay	
D437,223	S	2/2001	Coy et al.	
D450,583	S *	11/2001	Freed .....	D9/447
6,419,112	B1	7/2002	Bruce et al.	
6,431,390	B1	8/2002	Waller	

D466,371	S *	12/2002	Parker .....	D7/510
D502,396	S *	3/2005	Frisch et al. ....	D9/503
6,929,143	B2 *	8/2005	Mazzarolo .....	220/254.3
D546,180	S *	7/2007	Jowett et al. ....	D9/447
D581,211	S *	11/2008	Lapsker .....	D7/396.2
D614,955	S *	5/2010	Cresswell et al. ....	D9/447
D654,762	S *	2/2012	Gilbert .....	D7/510
D655,160	S *	3/2012	Daniel .....	D9/447
2007/0034629	A1 *	2/2007	Mazzarolo .....	220/254.3
2007/0170184	A1 *	7/2007	Canedo .....	220/254.9
2009/0266829	A1	10/2009	Bailey	

\* cited by examiner

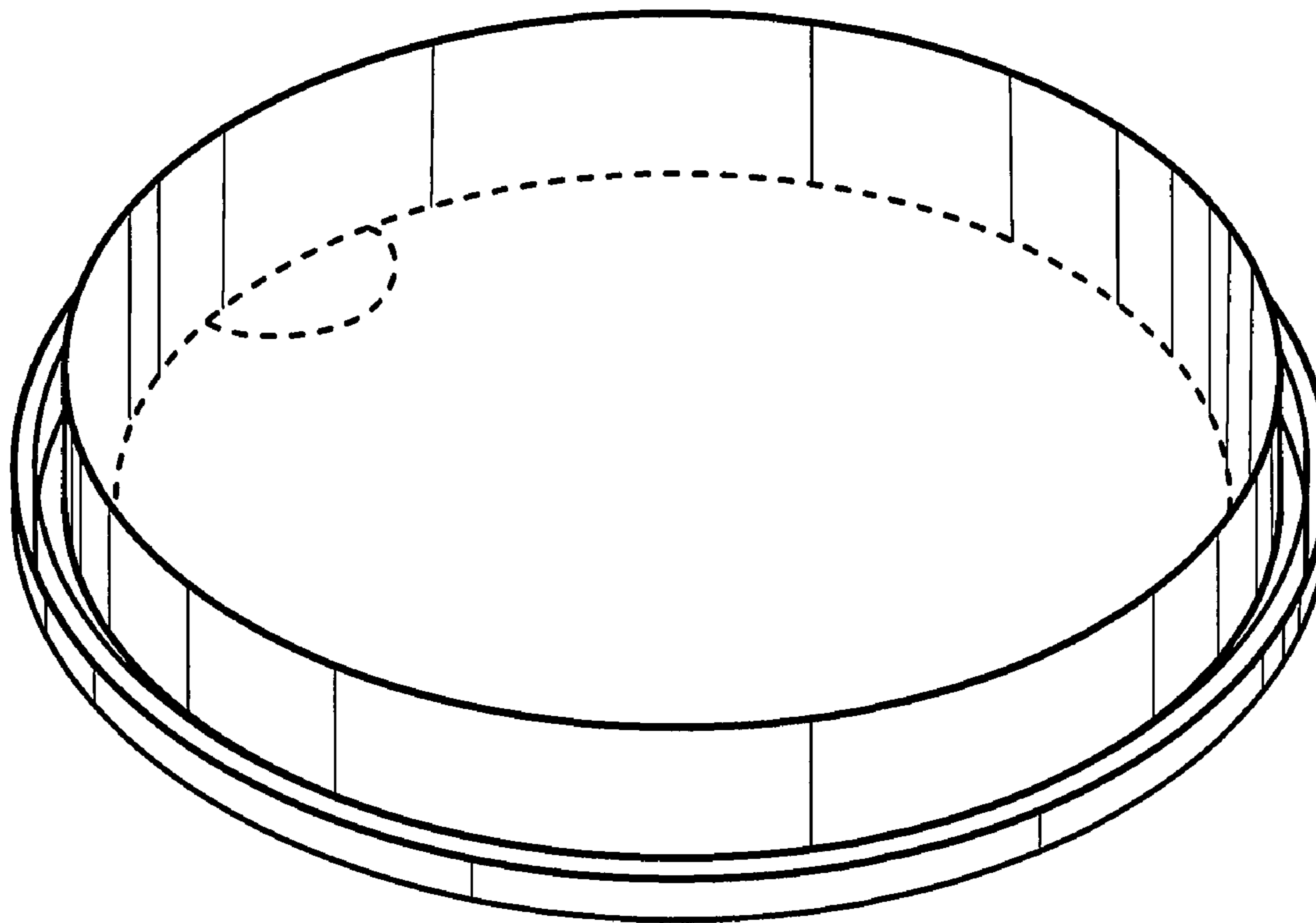
*Primary Examiner* — Susan Bennett Hattan  
(74) *Attorney, Agent, or Firm* — Hammer & Associates, P.C.

(57) **CLAIM**  
The ornamental design for a coffee cup lid, as shown and described.

**DESCRIPTION**

FIG. 1 is a top perspective view of a coffee cup lid showing the new design;  
FIG. 2 is a bottom perspective view of FIG. 1;  
FIG. 3 is a top plan view of FIG. 1;  
FIG. 4 is a side elevational view of FIG. 1; and,  
FIG. 5 is a bottom plan view of FIG. 1.  
Broken lines depict the boundary of the claim and form no part of the claim.

**1 Claim, 2 Drawing Sheets**



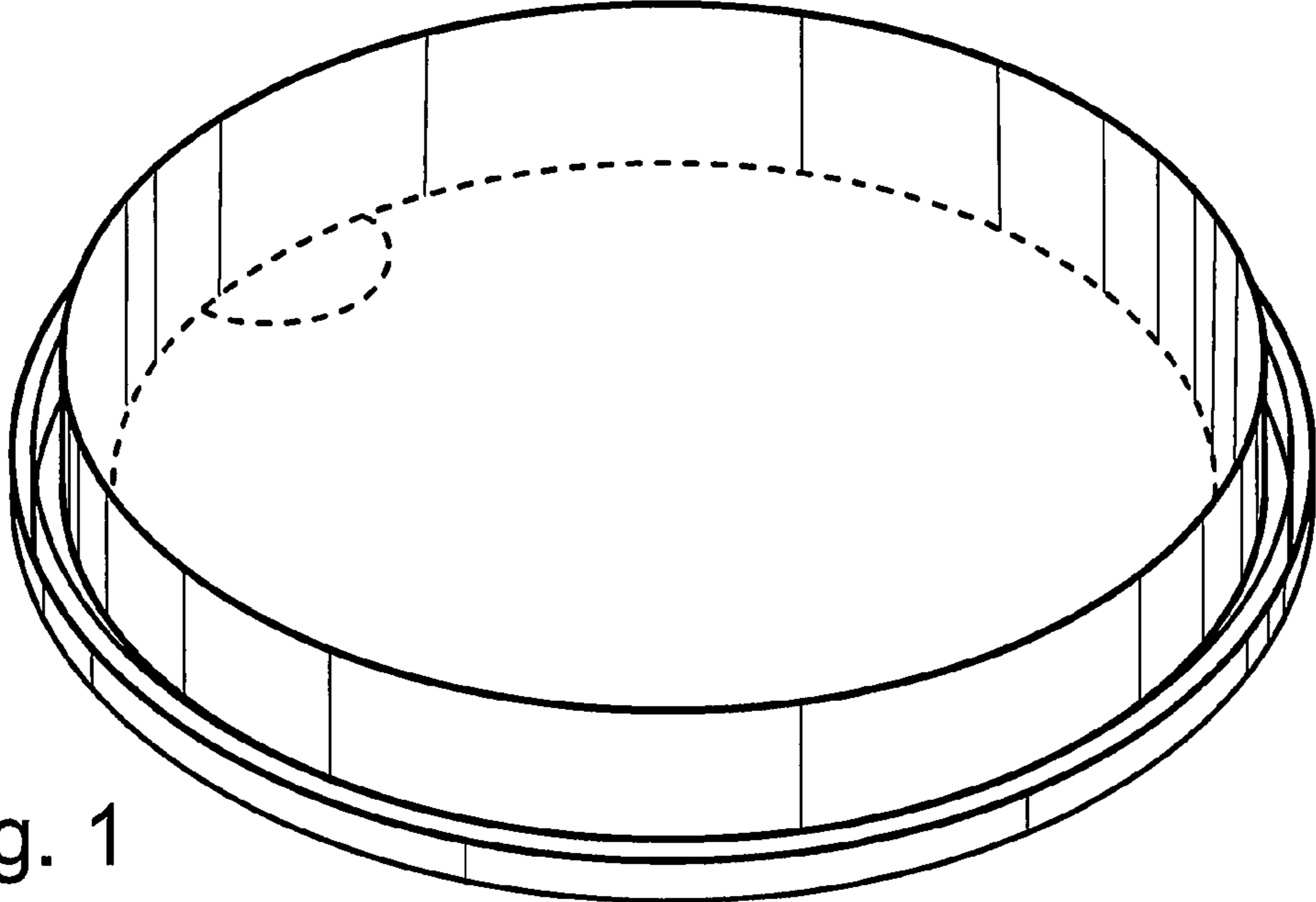


Fig. 1

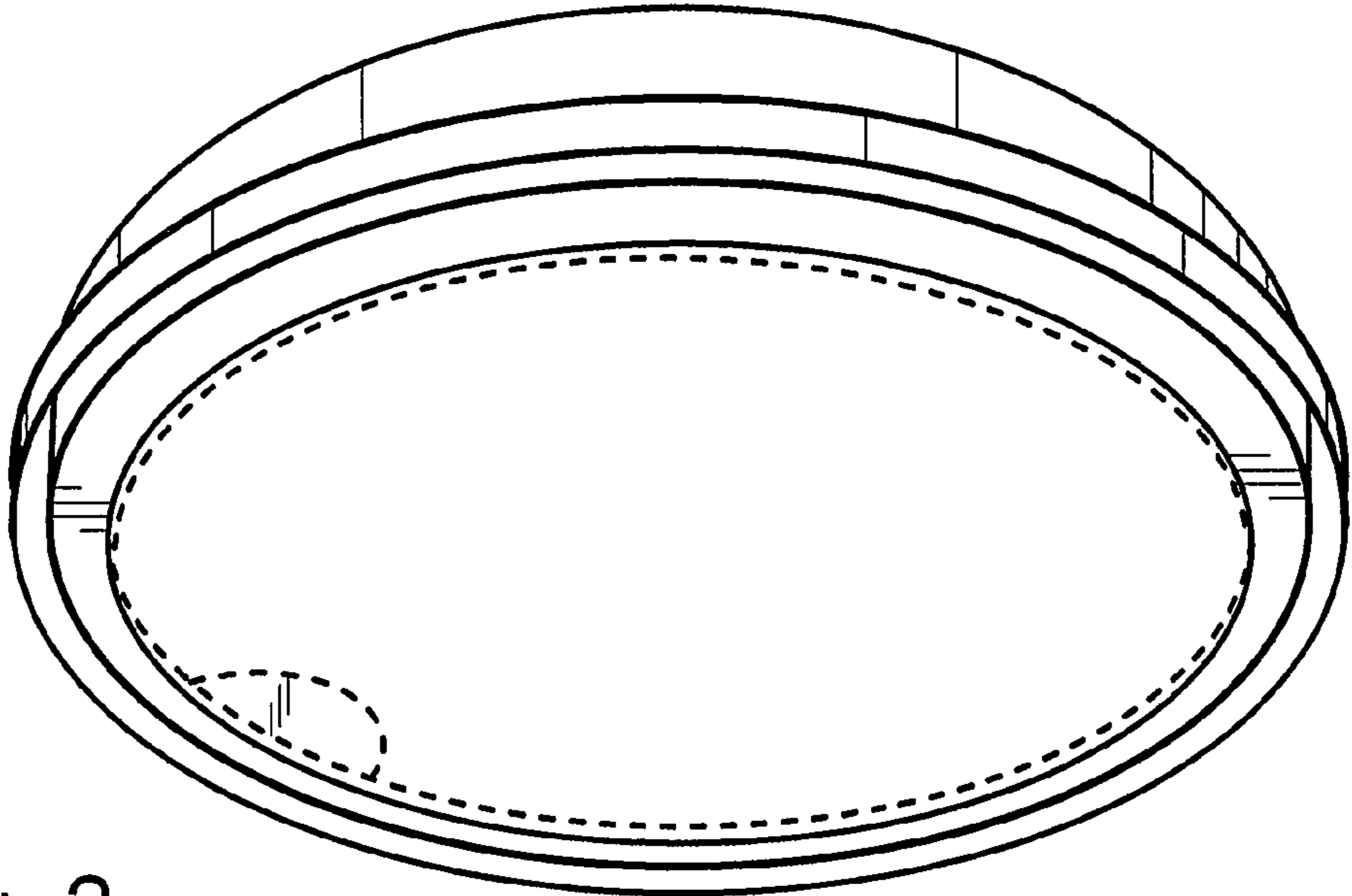


Fig. 2

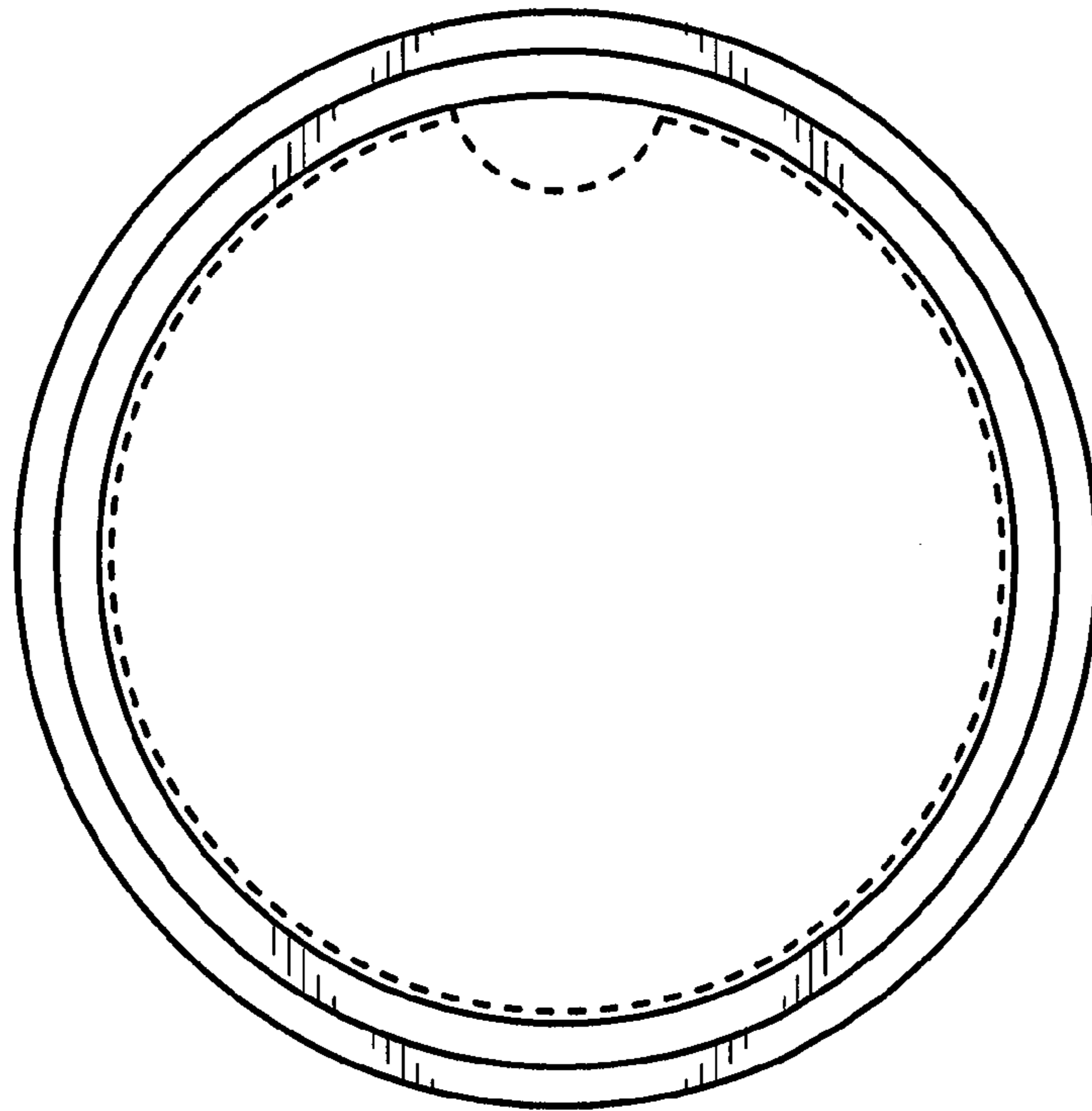


Fig. 3

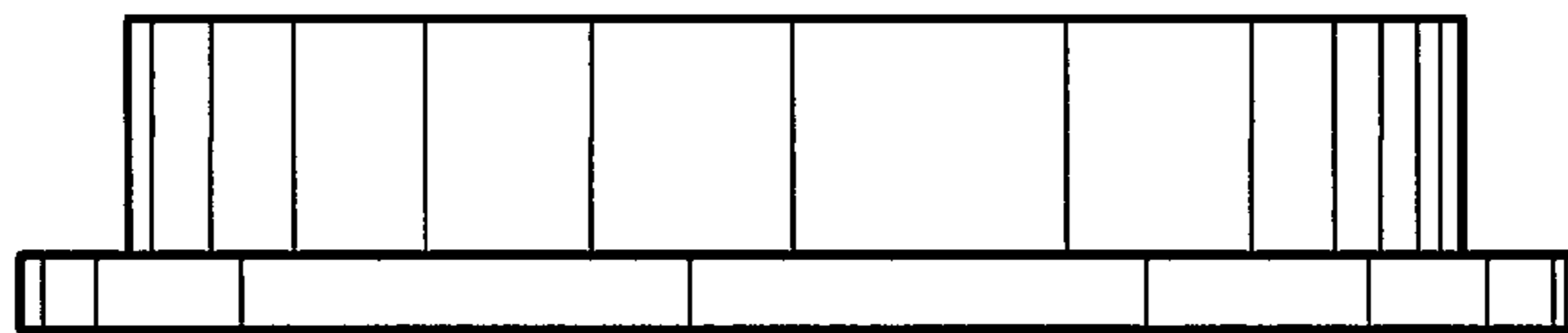


Fig. 4

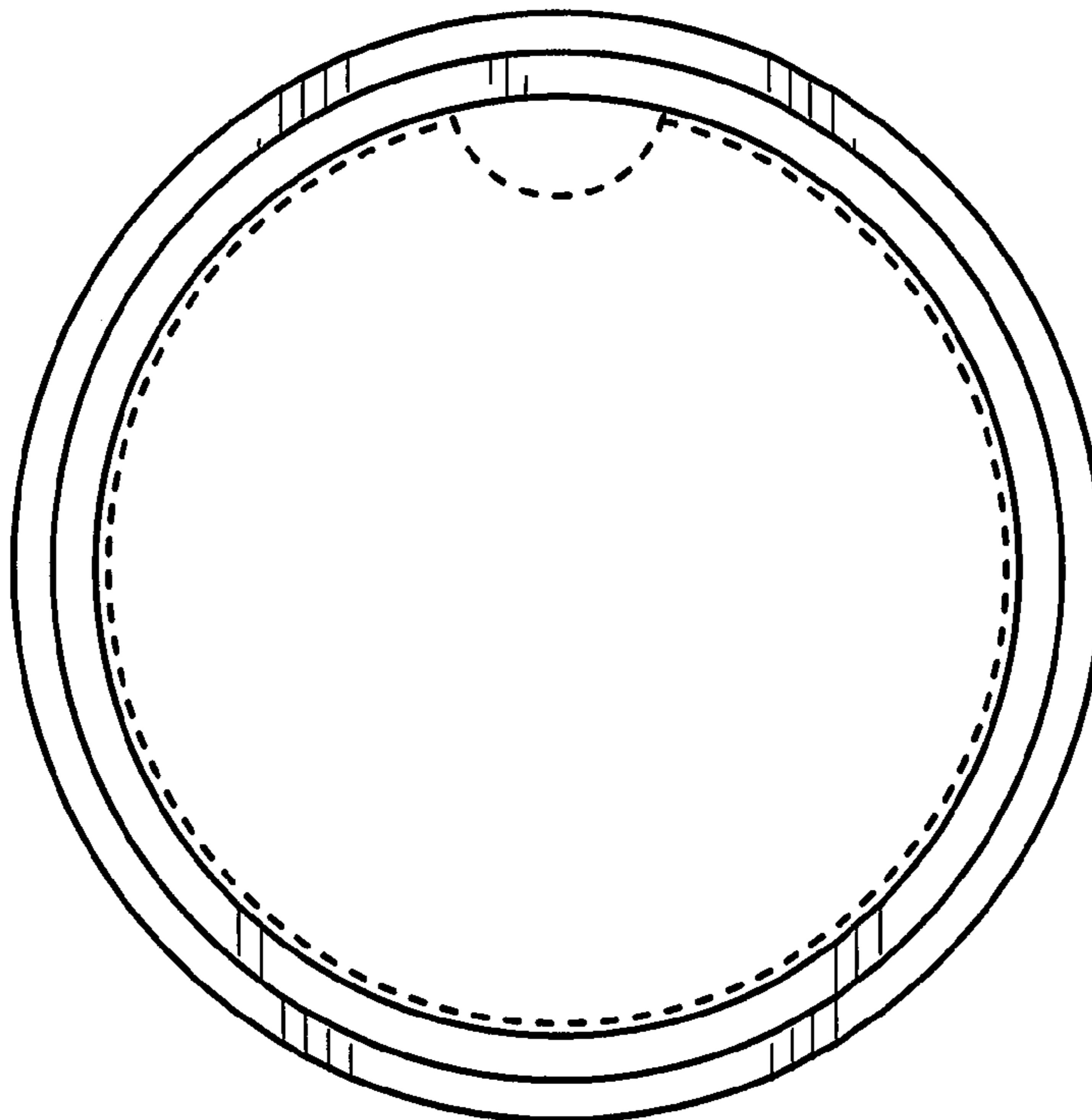


Fig. 5