



US00D696110S

(12) **United States Design Patent**
Bergbohm

(10) **Patent No.:** **US D696,110 S**

(45) **Date of Patent:** **** Dec. 24, 2013**

(54) **CONTAINER**

(75) Inventor: **Ingmar Bergbohm**, Duesseldorf (DE)

(73) Assignee: **Henkel AG & Co. KGaA**, Duesseldorf (DE)

(**) Term: **14 Years**

(21) Appl. No.: **29/432,066**

(22) Filed: **Sep. 13, 2012**

(30) **Foreign Application Priority Data**

Mar. 15, 2012 (EM) 002008805

(51) **LOC (9) Cl.** **09-03**

(52) **U.S. Cl.**
USPC **D9/424**

(58) **Field of Classification Search**
USPC D9/414, 415, 418, 423, 424, 425, 428,
D9/429, 432, 433, 670, 715, 722, 730, 732,
D9/735, 748, 749, 761; D7/601, 602, 629,
D7/630, 641; 206/508, 503, 518; D3/201,
D3/203.1-203.4, 302, 318, 904; 220/662,
220/665, 669, 675, 334, 335, 339, 353
See application file for complete search history.

(56) **References Cited**

U.S. PATENT DOCUMENTS

D238,148 S * 12/1975 Dilot D7/629
D289,719 S * 5/1987 Daenen et al. D7/392.1
D330,161 S * 10/1992 Schuh D9/423
5,366,104 A * 11/1994 Armstrong 220/832
D374,774 S * 10/1996 Cassel D3/294

D384,502 S * 10/1997 Seager et al. D3/294
D397,552 S * 9/1998 Rutledge D3/302
D412,439 S * 8/1999 Cormack D9/425
D421,901 S * 3/2000 Hill D9/423
D480,872 S * 10/2003 Welsh et al. D3/302
D521,380 S * 5/2006 Jackson et al. D9/435
D588,914 S * 3/2009 Laurieu-Tedeschi D9/435
2010/0102057 A1 * 4/2010 Long et al. 220/62.15

* cited by examiner

Primary Examiner — Derrick Holland

Assistant Examiner — Lauren Calve

(74) *Attorney, Agent, or Firm* — Thomas G. Krivulka

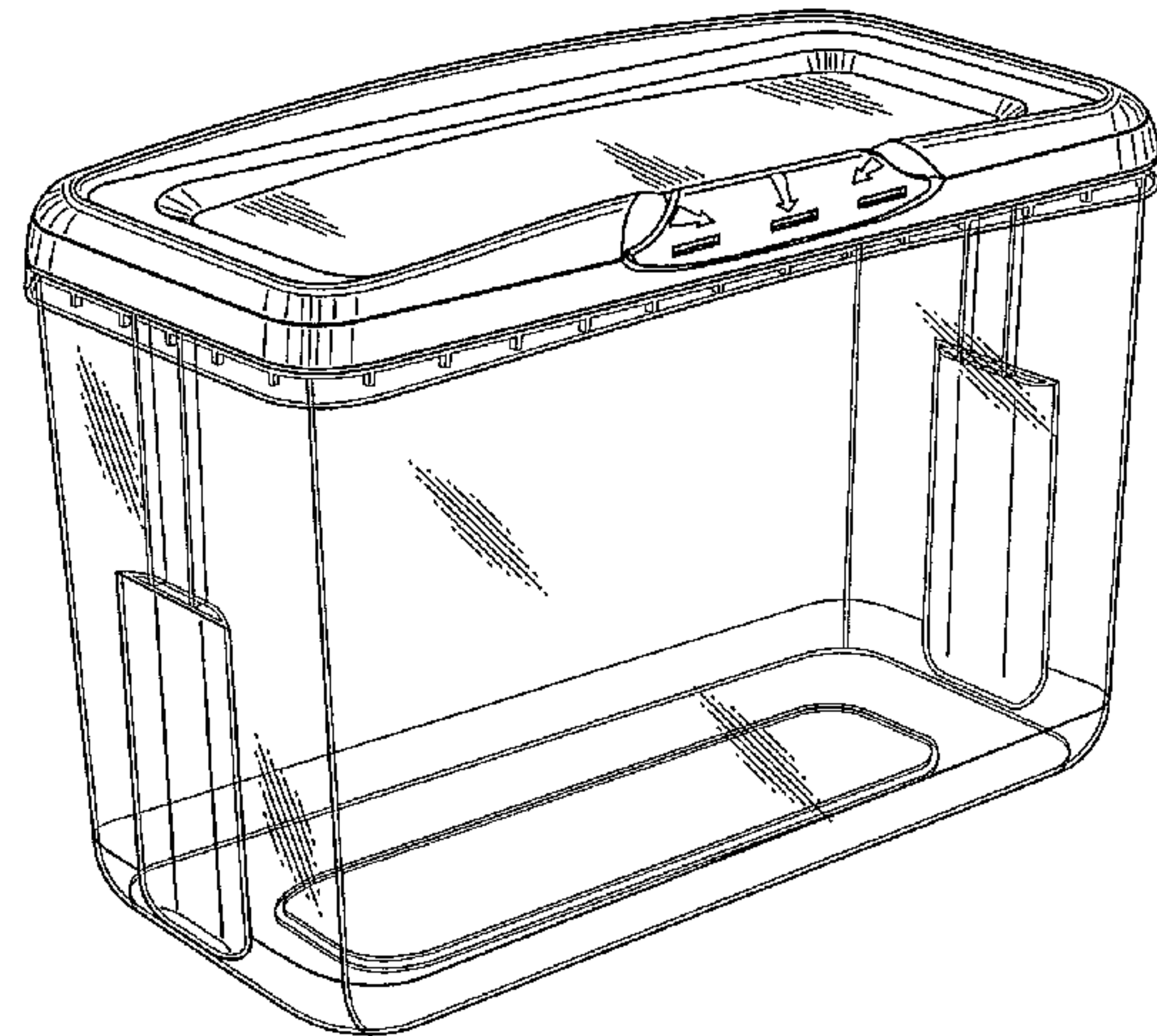
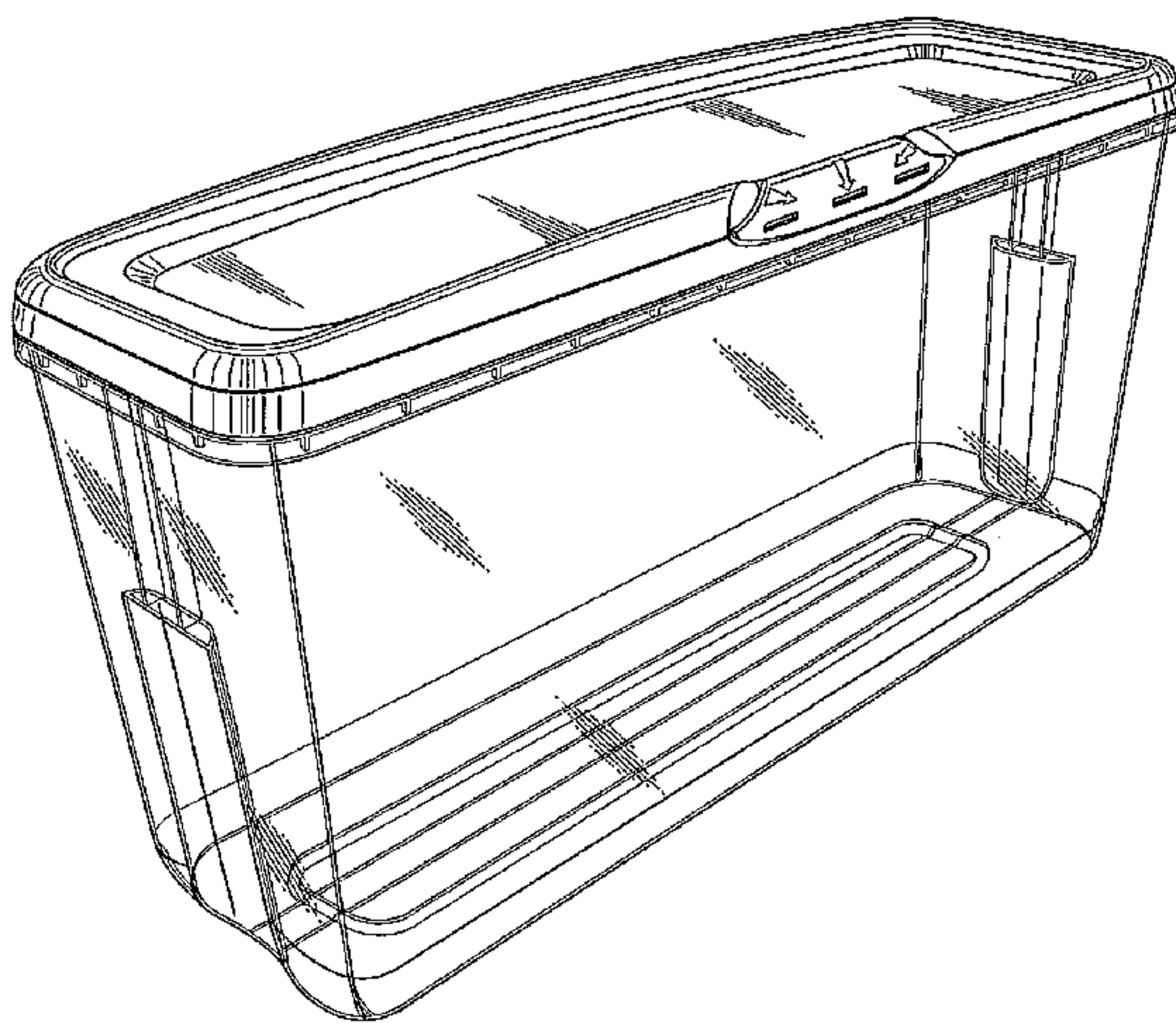
(57) **CLAIM**

The ornamental design for a container, as shown and described.

DESCRIPTION

FIG. 1 is a front perspective view of a container embodying my new design;
FIG. 2 is a front side elevation view thereof;
FIG. 3 is a rear side elevation view thereof;
FIG. 4 is a right side elevation view thereof;
FIG. 5 is a left side elevation view thereof;
FIG. 6 is a top plan view thereof; and
FIG. 7 is a bottom plan view thereof;
FIG. 8 is a front perspective view of a second embodiment of a container embodying my new design;
FIG. 9 is a front side elevation view thereof;
FIG. 10 is a rear side elevation view thereof;
FIG. 11 is a right side elevation view thereof;
FIG. 12 is a left side elevation view thereof;
FIG. 13 is a top plan view thereof; and
FIG. 14 is a bottom plan view thereof.

1 Claim, 10 Drawing Sheets



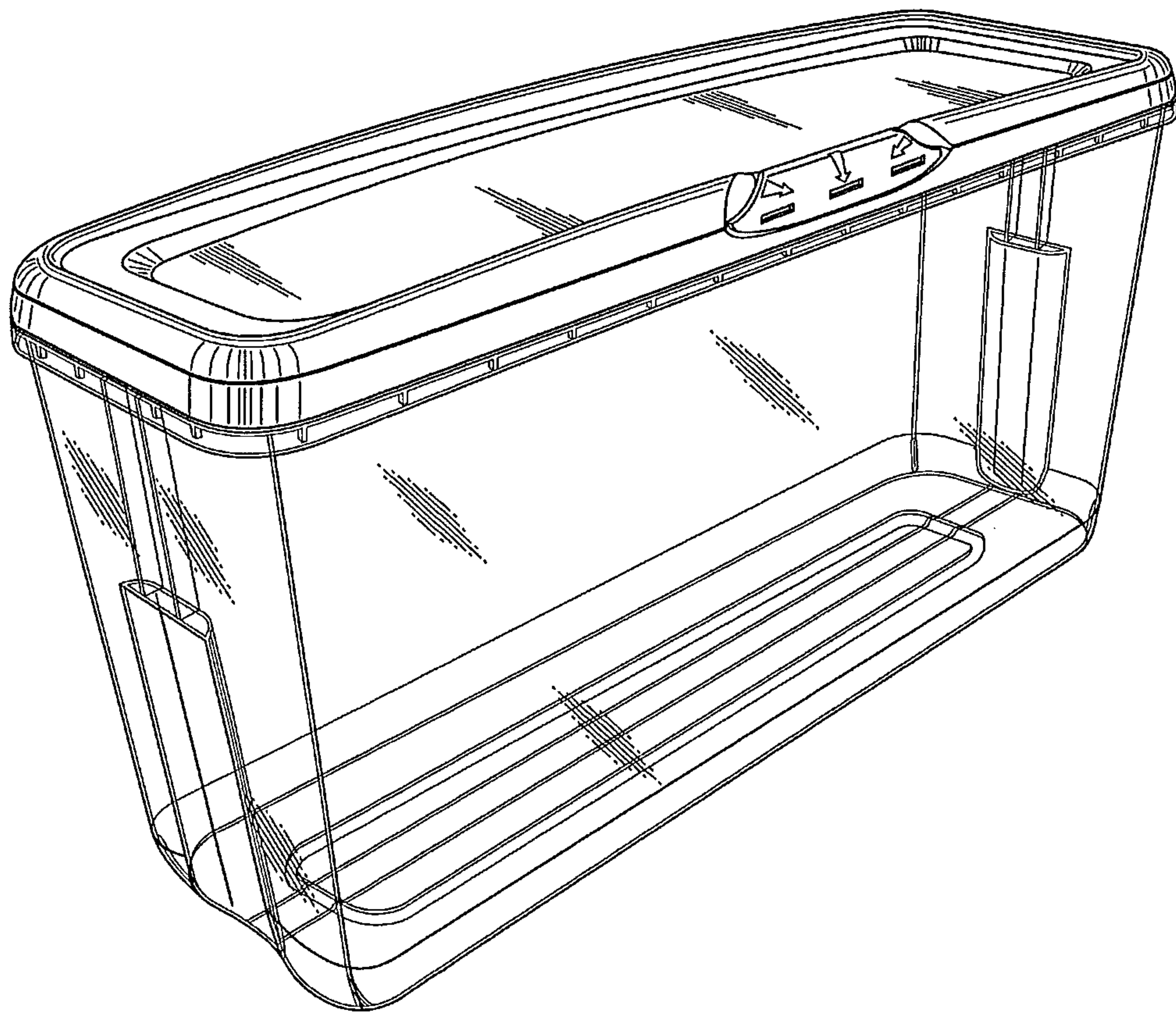


FIG. 1

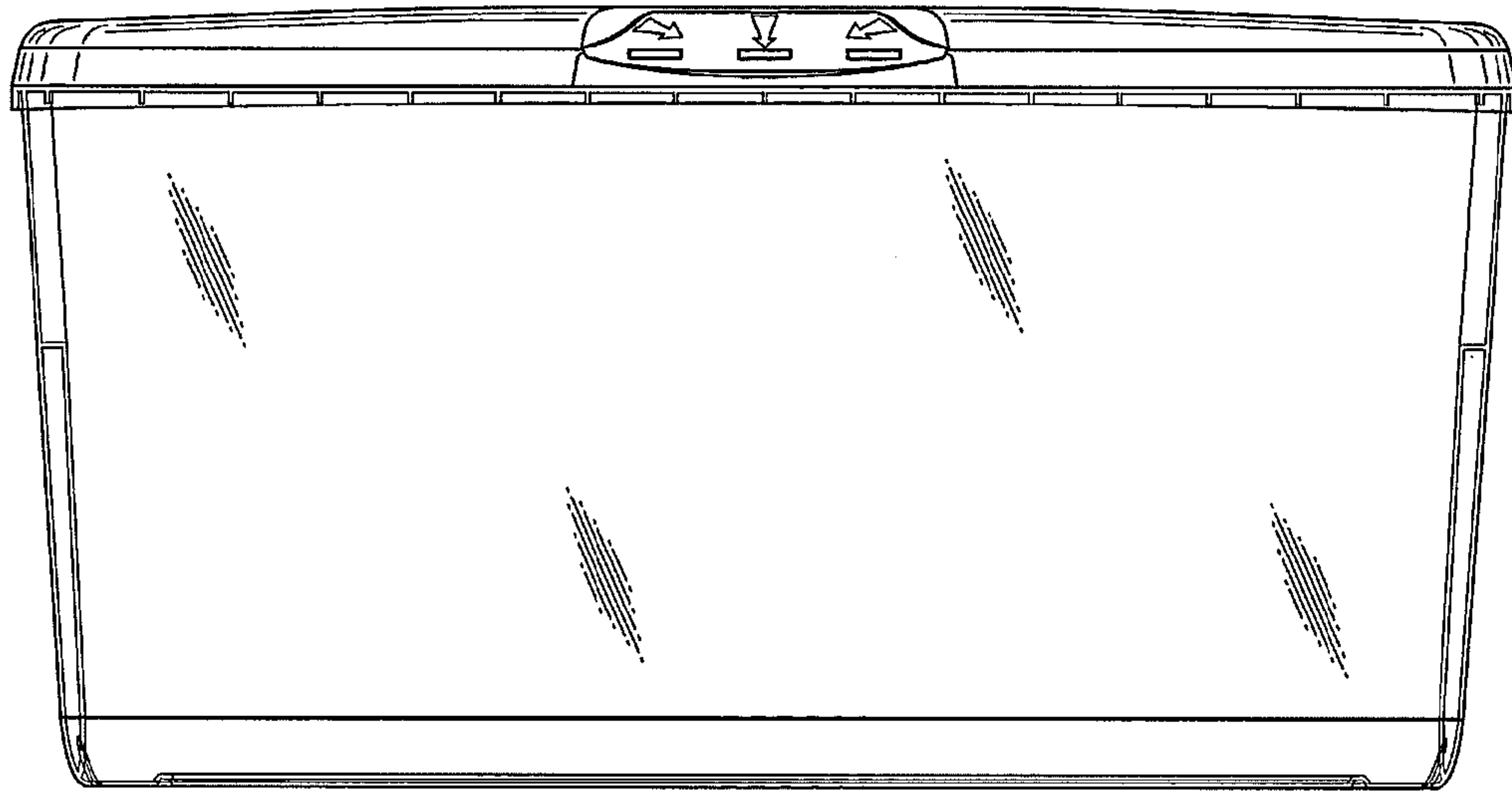


FIG. 2

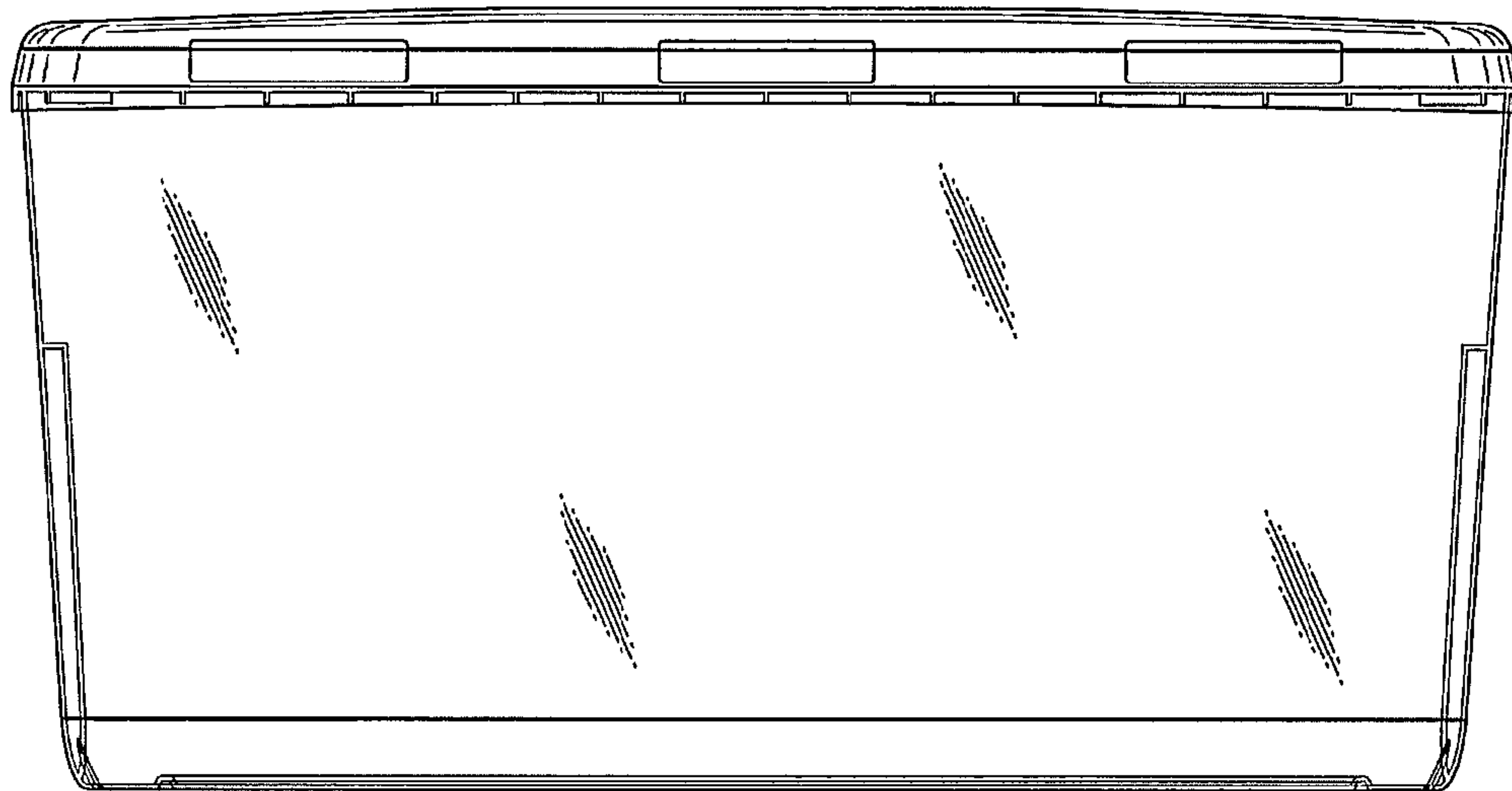


FIG. 3

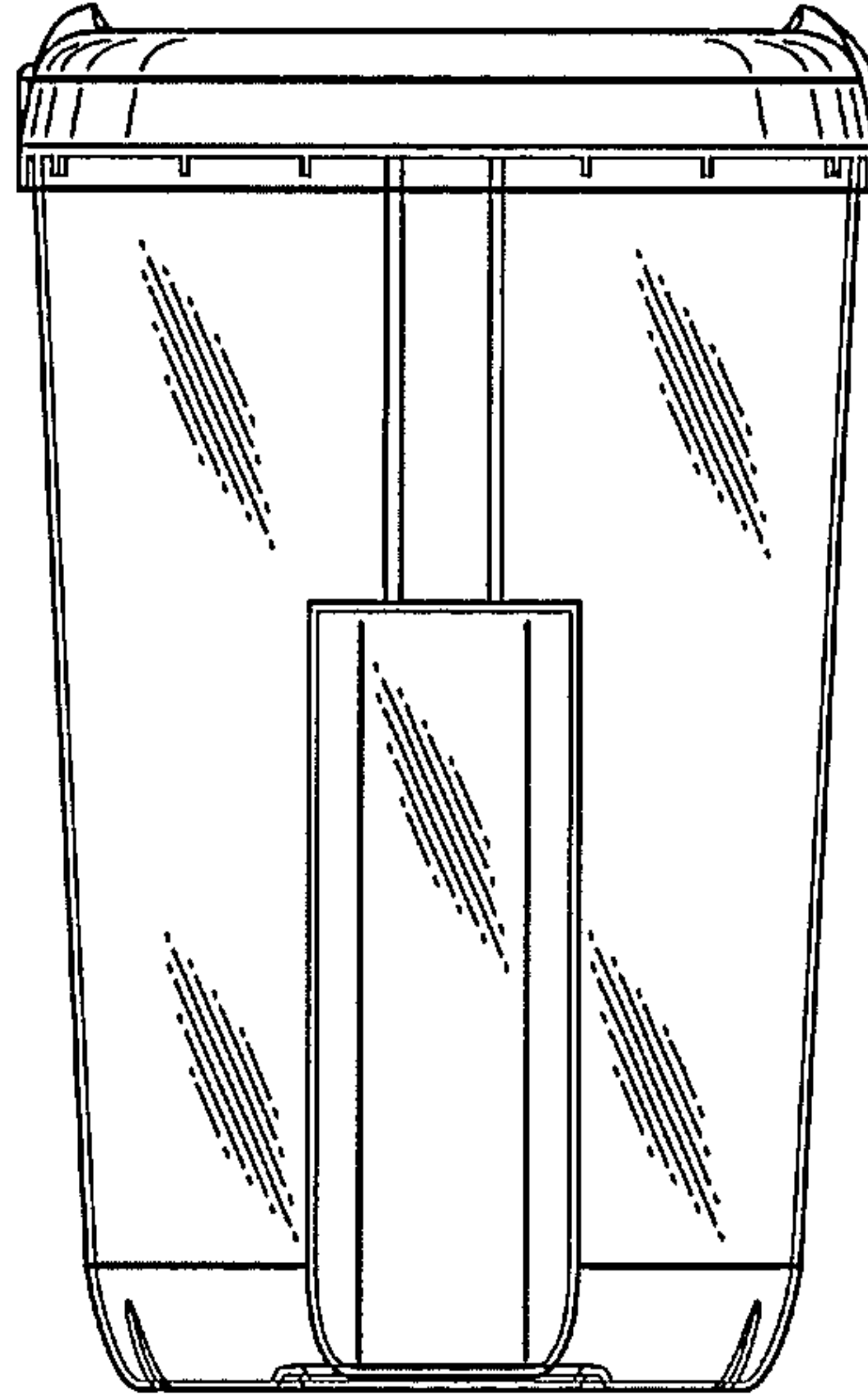


FIG. 4

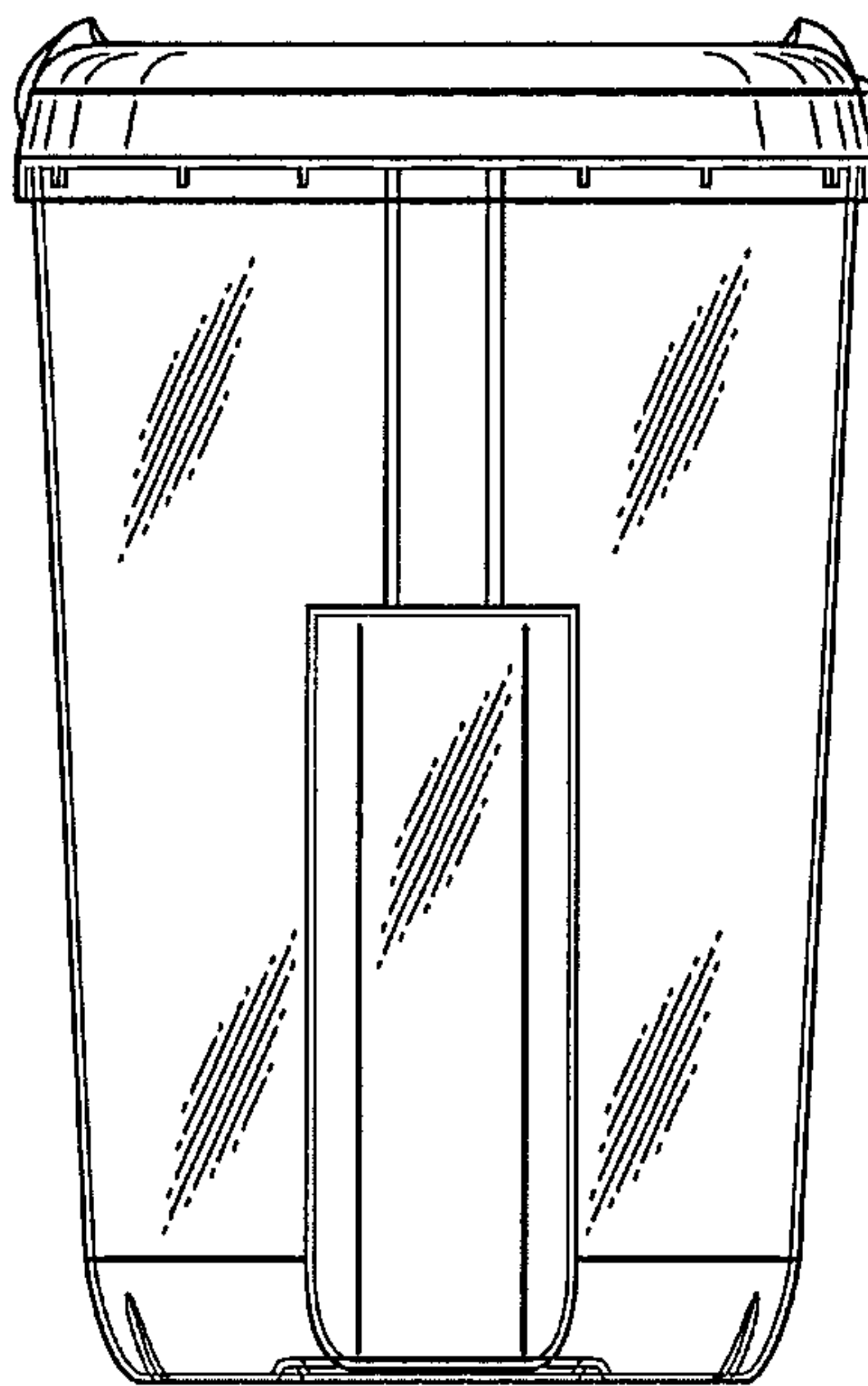


FIG. 5

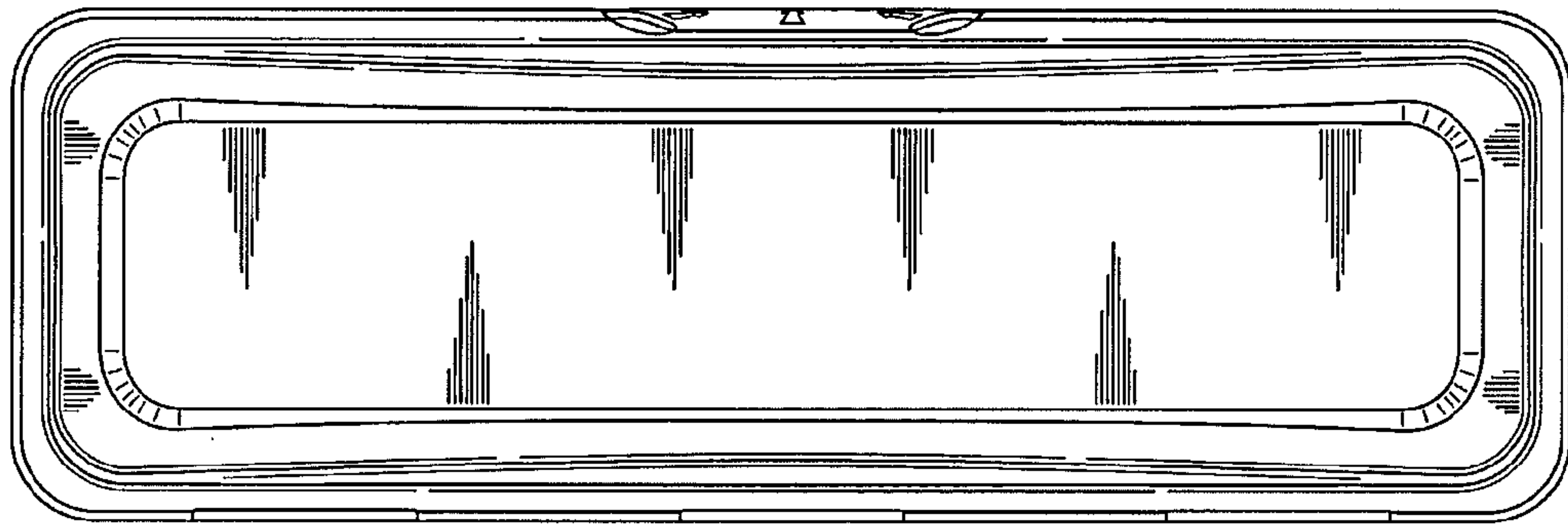


FIG. 6

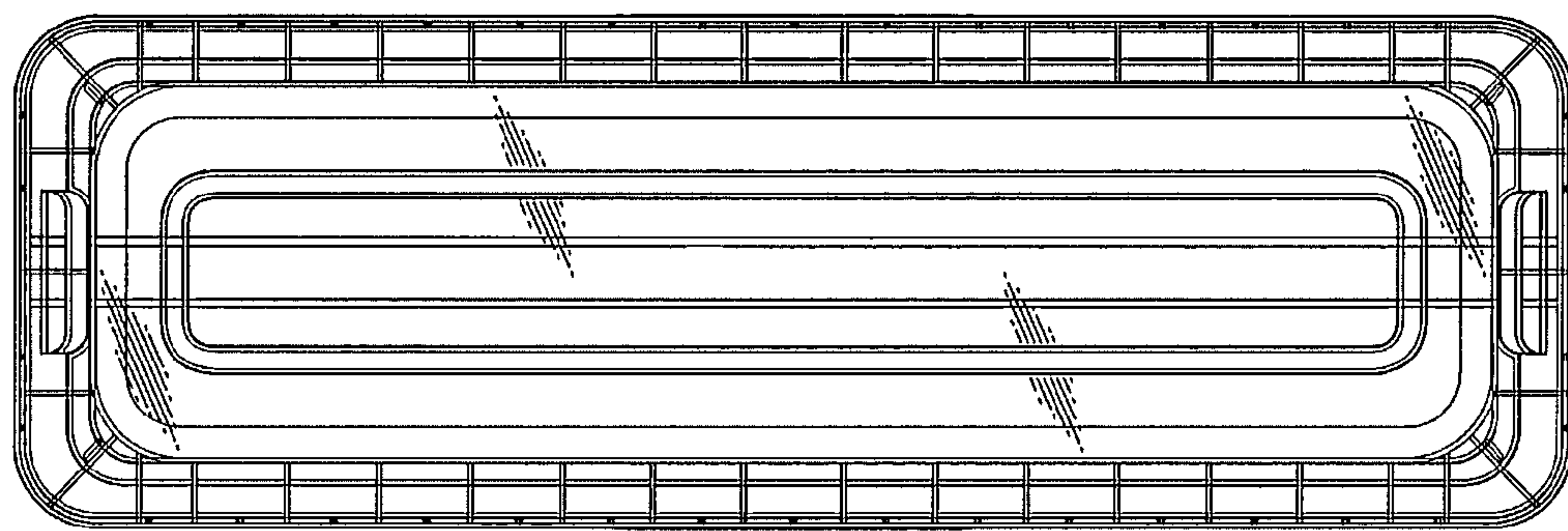


FIG. 7

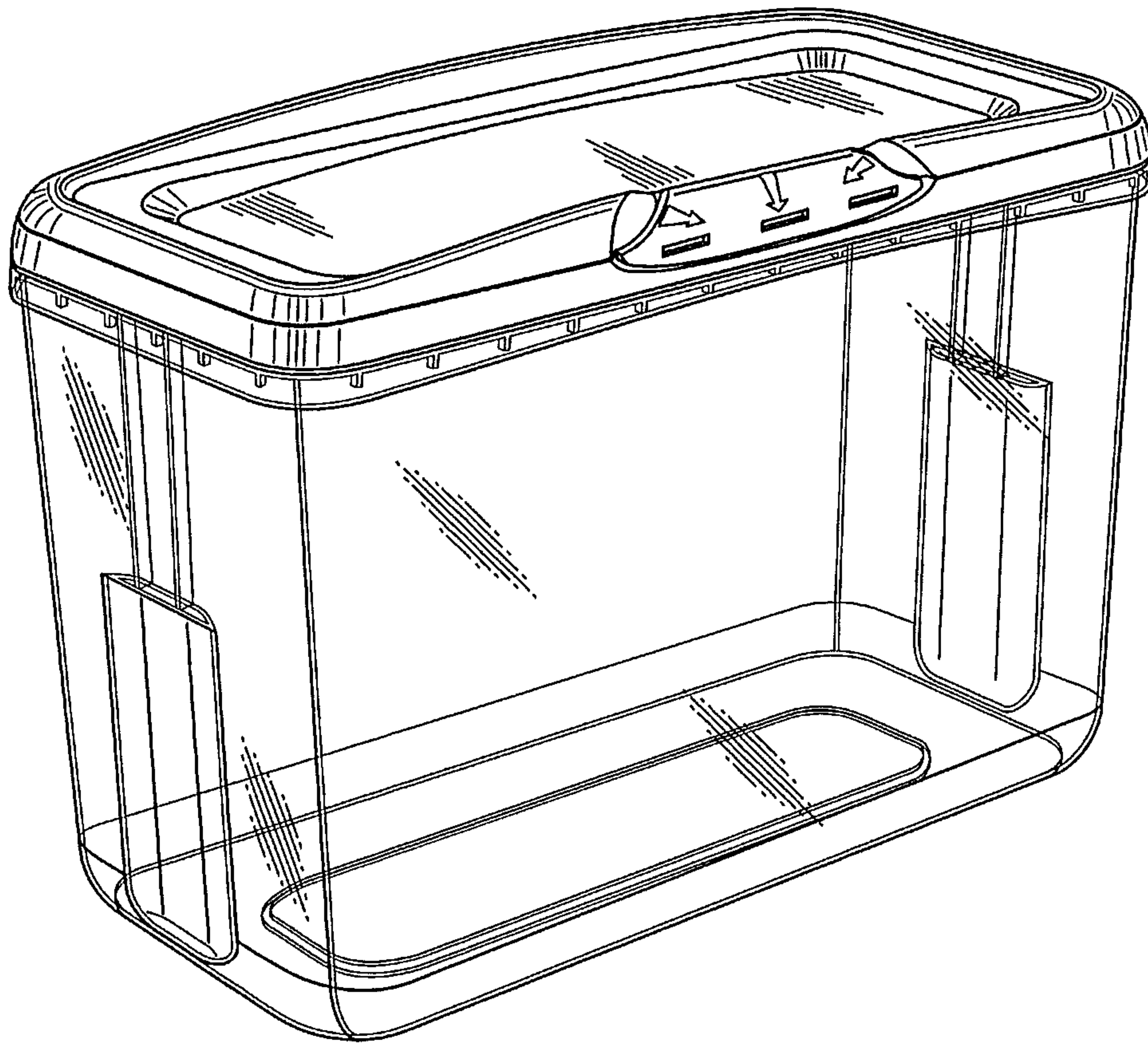


FIG. 8

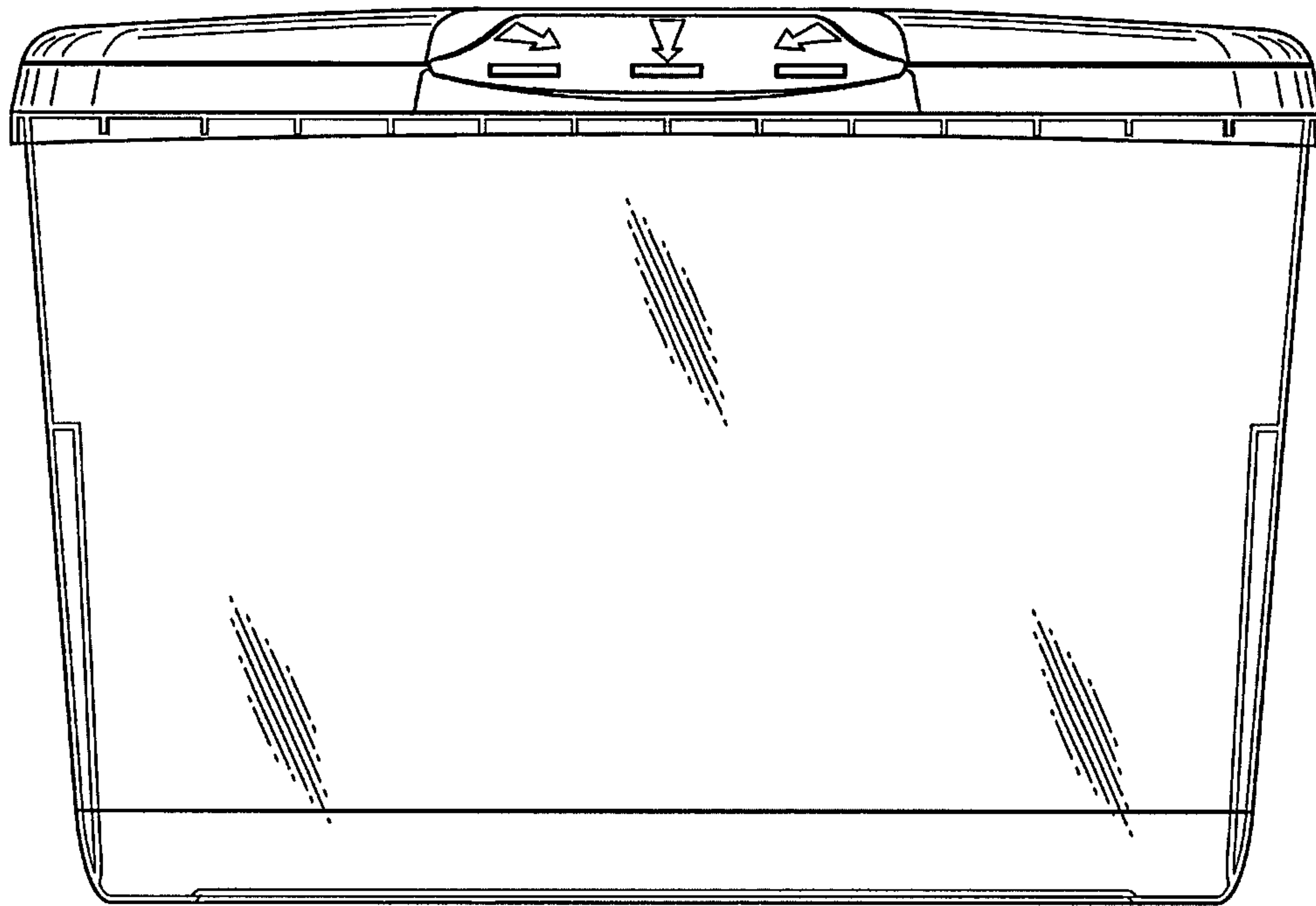


FIG. 9

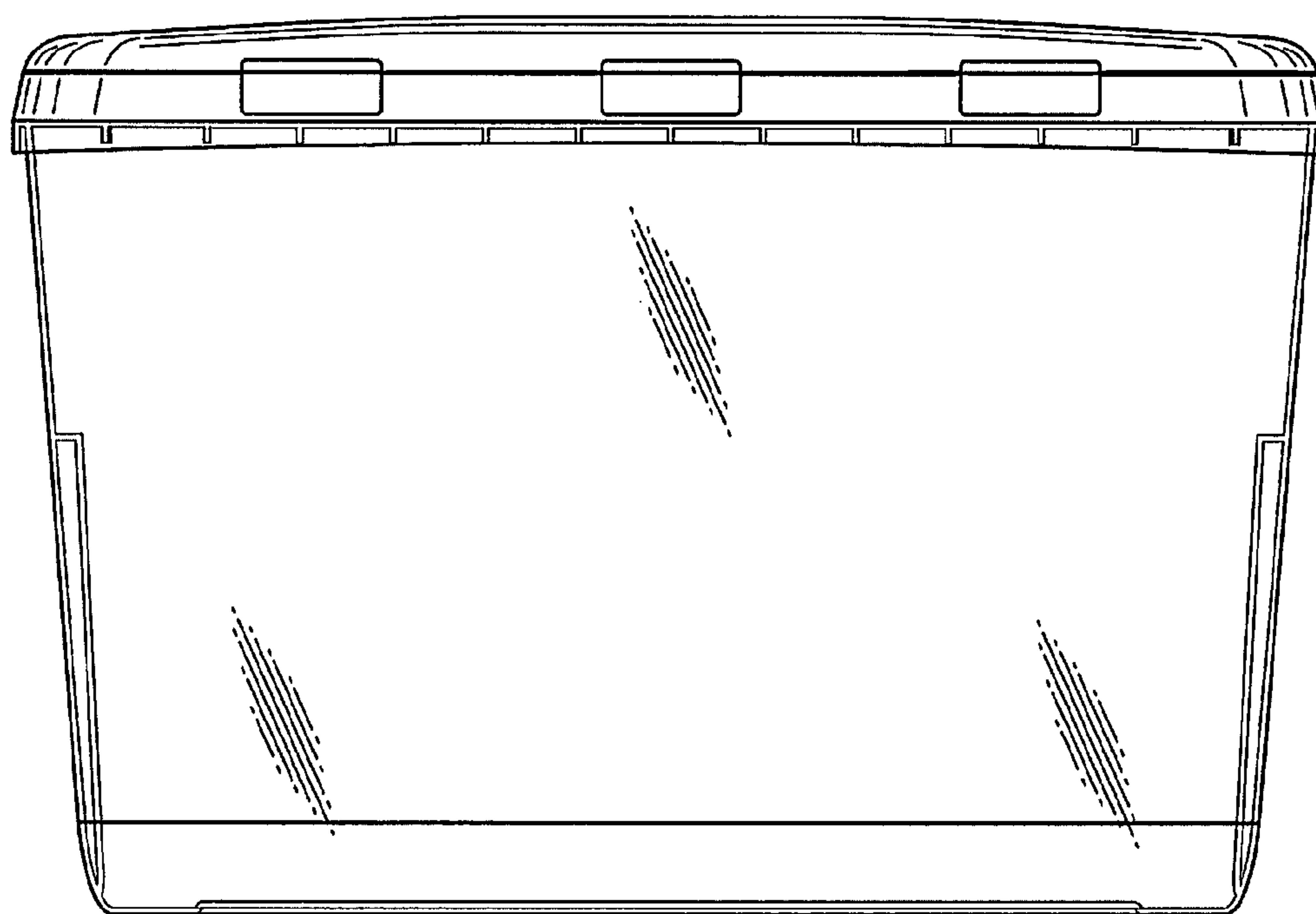


FIG. 10

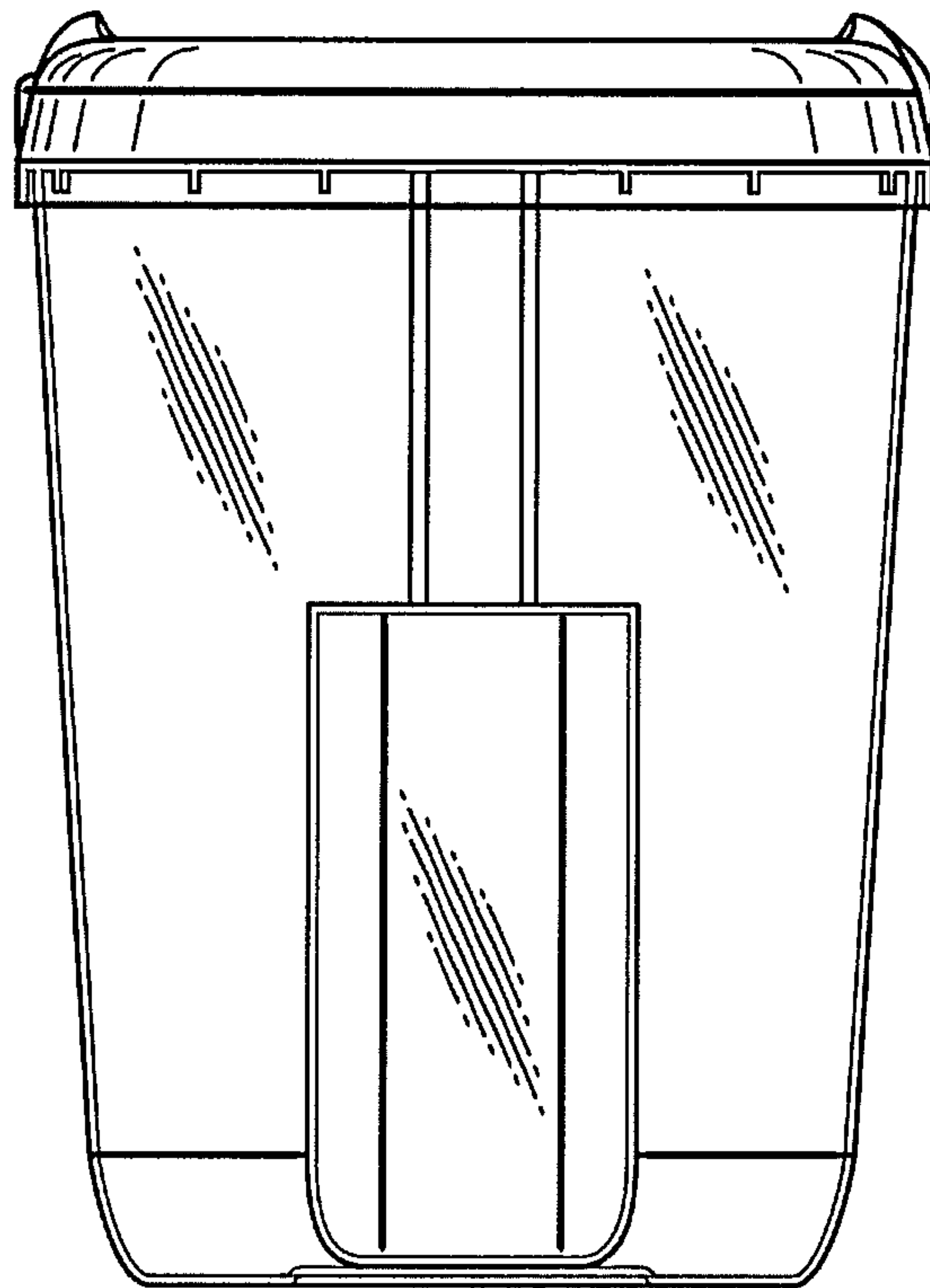


FIG. 11

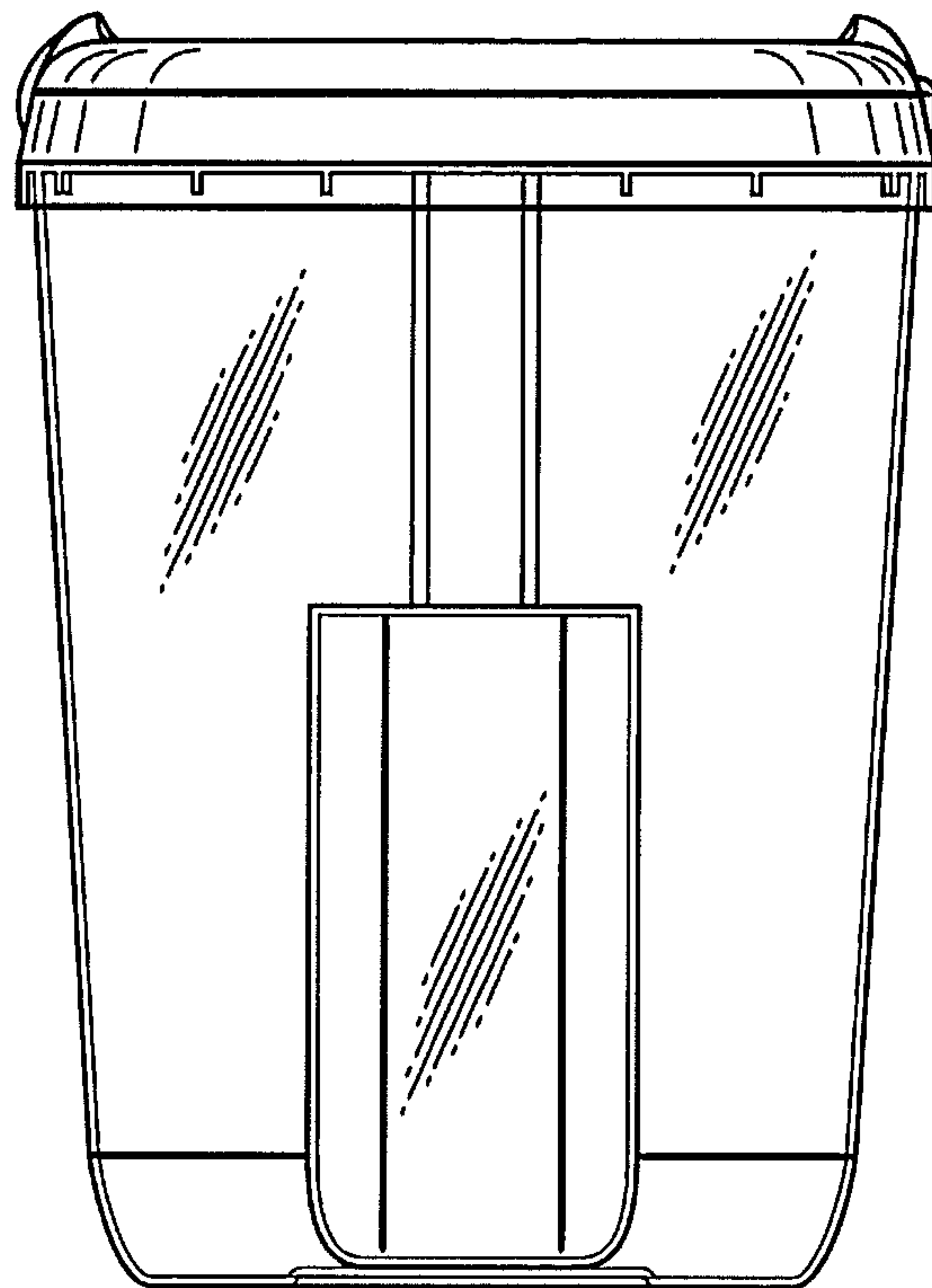


FIG. 12

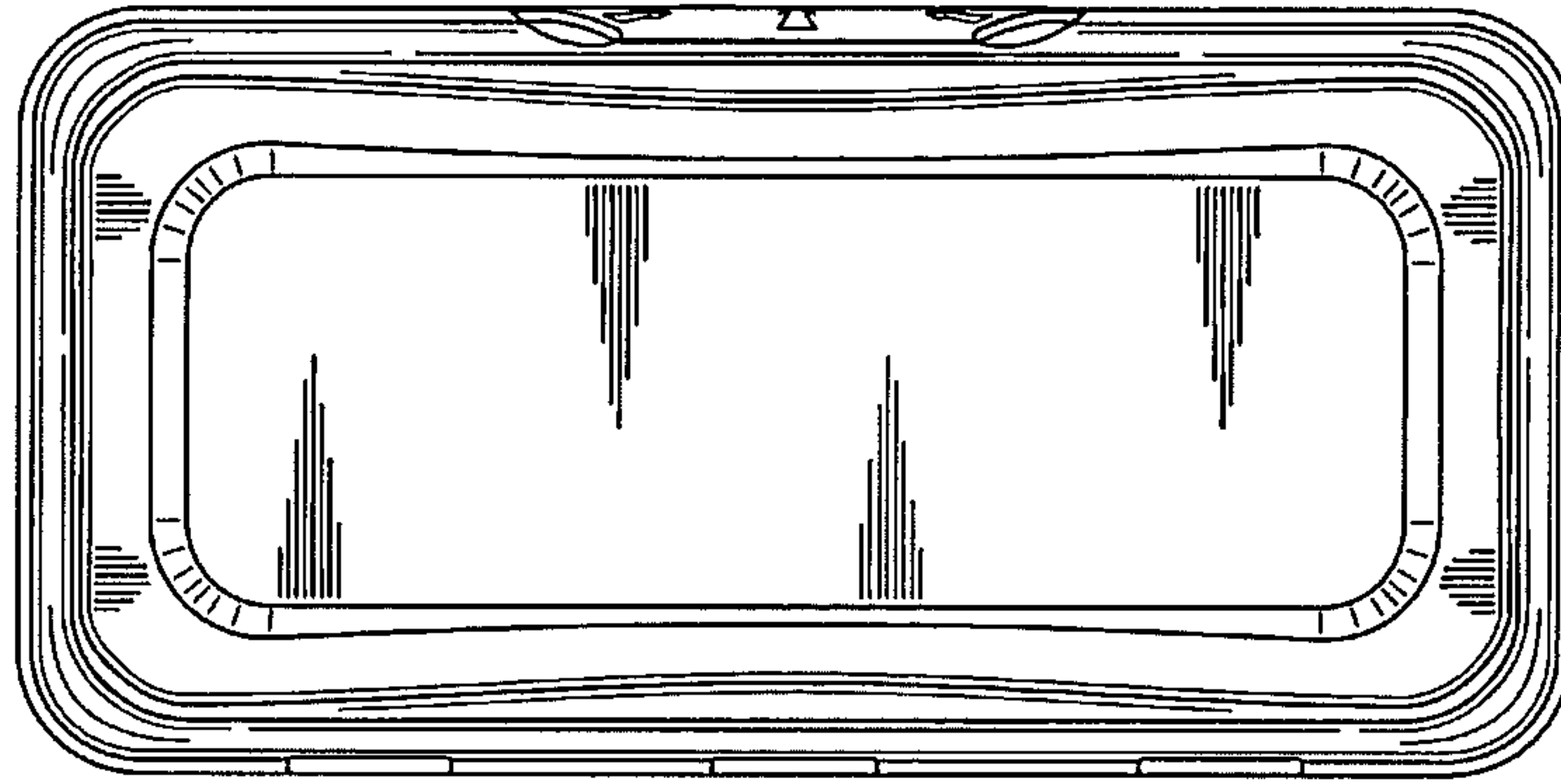


FIG. 13

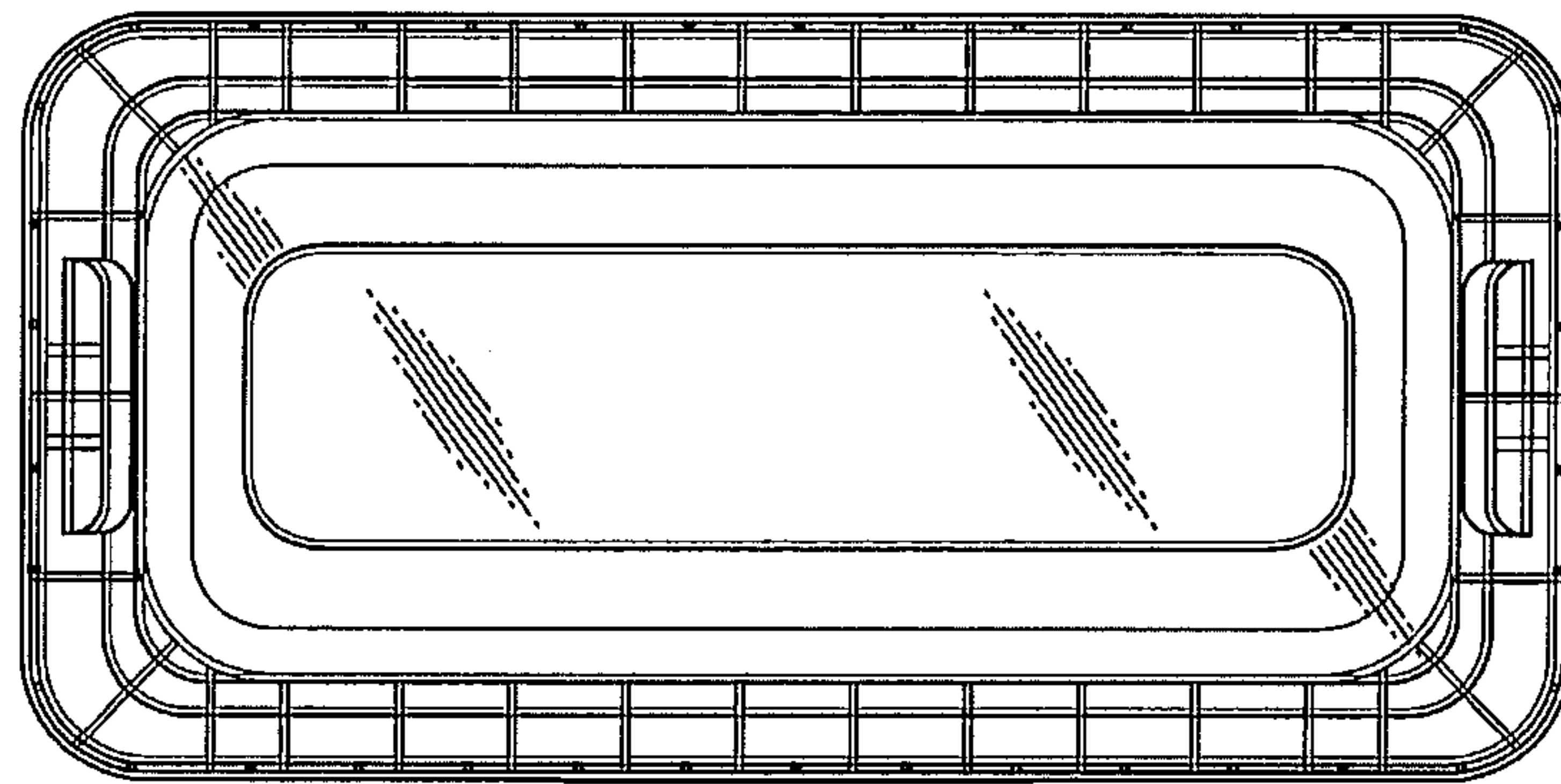


FIG. 14