



US00D696105S

(12) **United States Design Patent**
Devilliers et al.

(10) **Patent No.:** **US D696,105 S**

(45) **Date of Patent:** **** *Dec. 24, 2013**

(54) **FLIP CLIP**

(75) Inventors: **James C. Devilliers**, Lubbock, TX (US);
Lonnie F. Gary, Lubbock, TX (US);
Randal Jay Kinnison, Lubbock, TX (US)

(73) Assignee: **Commercial Christmas Clip Company, LLC**, Lubbock, TX (US)

(*) Notice: This patent is subject to a terminal disclaimer.

(**) Term: **14 Years**

(21) Appl. No.: **29/426,445**

(22) Filed: **Jul. 5, 2012**

(51) **LOC (9) Cl.** **08-08**

(52) **U.S. Cl.**
USPC **D8/395**

(58) **Field of Classification Search**
USPC D8/354, 356, 371, 394-396; D19/65,
D19/86; D24/128; 248/74.2, 215, 227.1, 49,
248/300, 301, 316.7, 51, 489; 24/570, 3.12;
D32/61; D11/78.1

See application file for complete search history.

(56) **References Cited**

U.S. PATENT DOCUMENTS

5,249,108	A	9/1993	Gary	
D376,535	S *	12/1996	Gary et al.	D8/395
5,581,956	A *	12/1996	Fennessy et al.	52/28
D414,291	S *	9/1999	Gary et al.	D26/138
D422,203	S *	4/2000	Gary et al.	D8/395
D424,418	S *	5/2000	Gary et al.	D8/395
D424,419	S	5/2000	Avinger	
D427,510	S *	7/2000	Gary et al.	D8/395
D460,912	S *	7/2002	Gary et al.	D8/395

(Continued)

Primary Examiner — John Windmuller

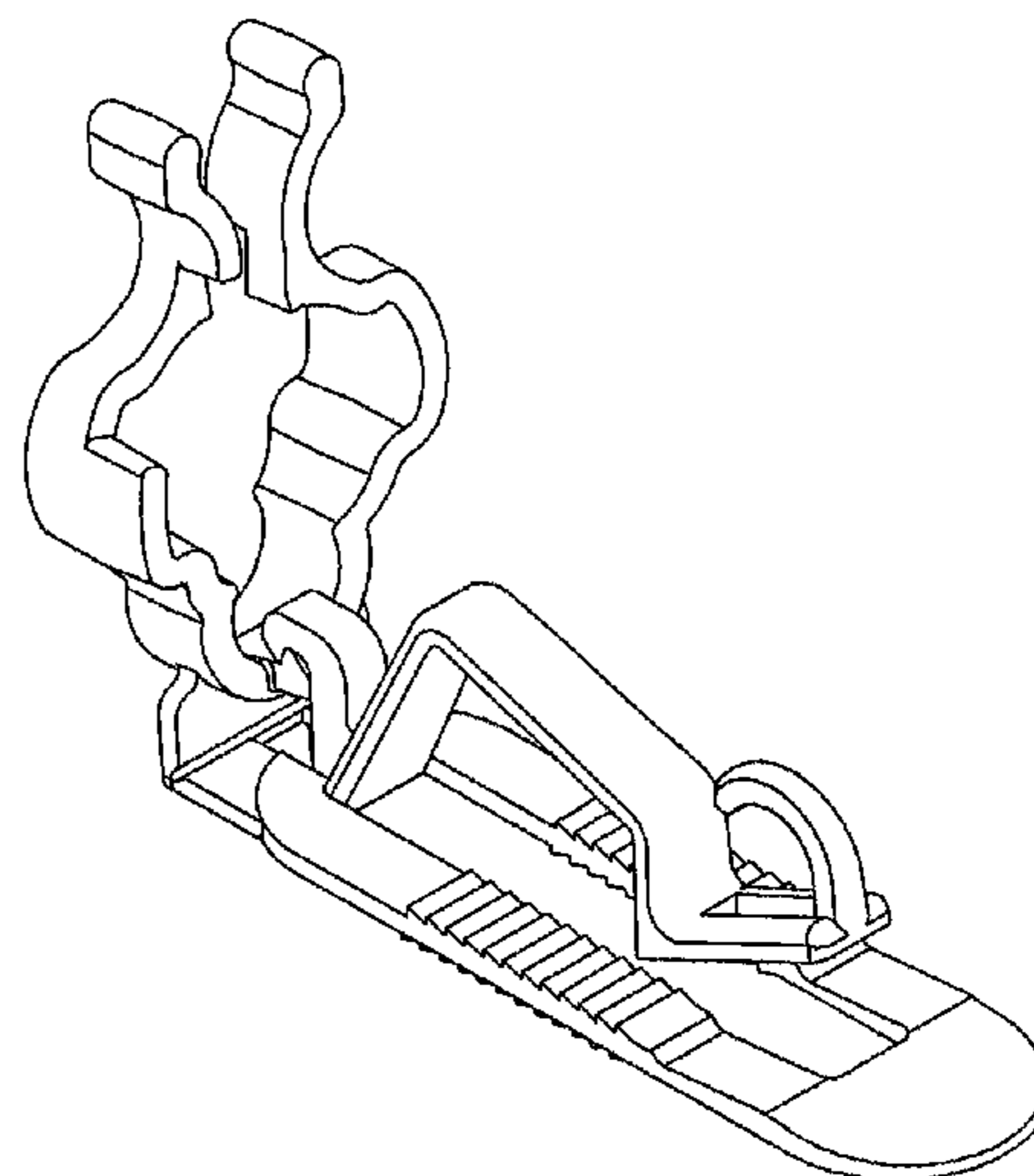
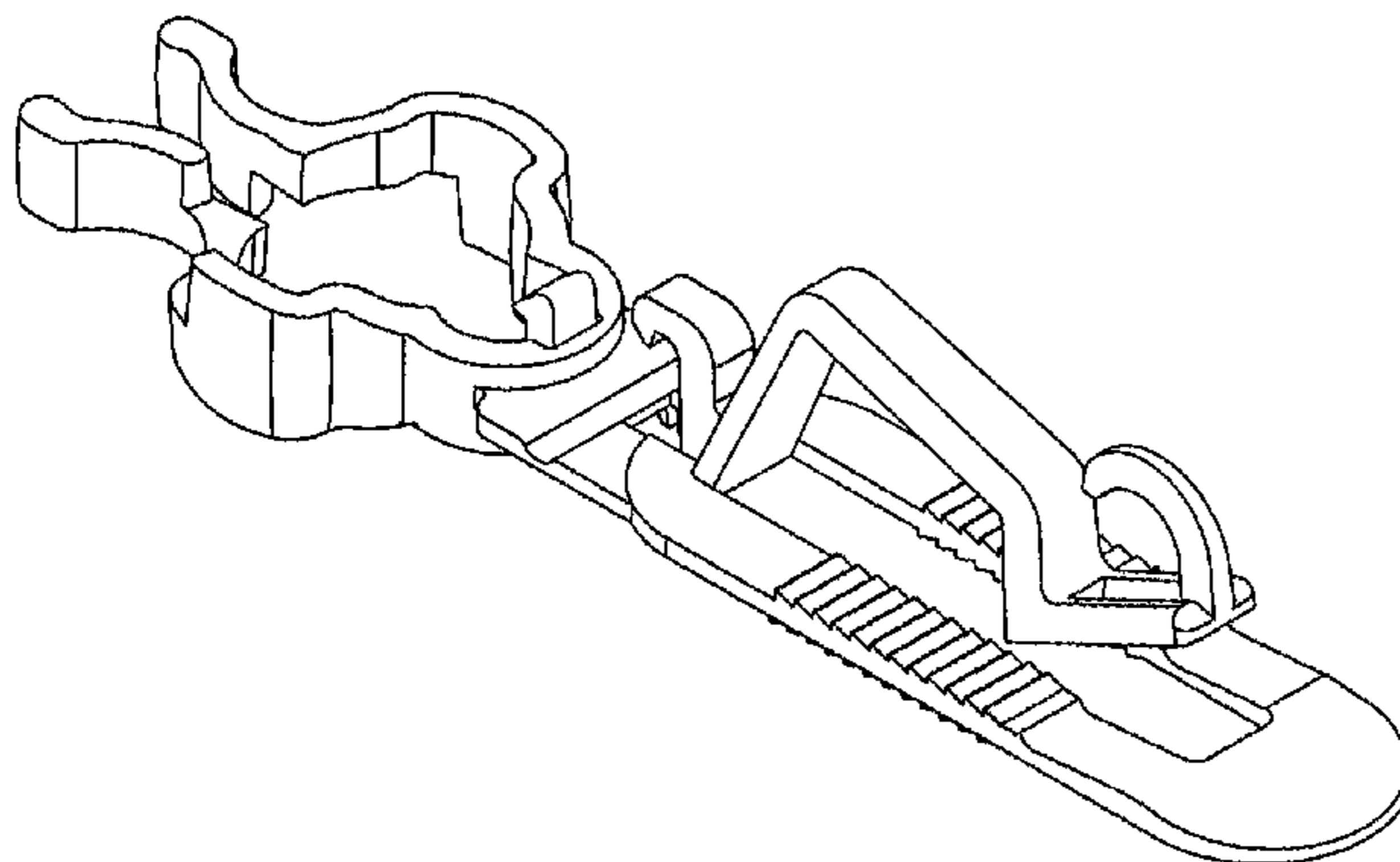
(74) *Attorney, Agent, or Firm* — Locke Lord, LLP

(57) **CLAIM**
The ornamental design for a flip clip, as shown and described.

DESCRIPTION

FIG. 1 is an upper right perspective view with the flip clip end in a forwardly extending position;
 FIG. 2 is a lower left perspective view with the flip clip end in a forwardly extending position;
 FIG. 3 is a top plan view with the flip clip end in a forwardly extending position;
 FIG. 4 is a front elevation view with the flip clip end in a forwardly extending position;
 FIG. 5 is a bottom plan view with the flip clip end in a forwardly extending position;
 FIG. 6 is a left side elevation view with the flip clip end in a forwardly extending position;
 FIG. 7 is a rear elevation view with the flip clip end in a forwardly extending position;
 FIG. 8 is a right side elevation view with the flip clip end in a forwardly extending position;
 FIG. 9 is an upper left perspective view with the flip clip end in an upwardly rotated position;
 FIG. 10 is a bottom left perspective view with the flip clip end in an upwardly rotated position;
 FIG. 11 is a top right perspective view with the flip clip end in an upwardly rotated position;
 FIG. 12 is a top plan view with the flip clip end in an upwardly rotated position;
 FIG. 13 is a front elevation view with the flip clip end in an upwardly rotated position;
 FIG. 14 is a bottom plan view with the flip clip end in an upwardly rotated position;
 FIG. 15 is a left side elevation view with the flip clip end in an upwardly rotated position;
 FIG. 16 is a rear elevation view with the flip clip end in an upwardly rotated position; and,
 FIG. 17 is a right side elevation view with the flip clip end in an upwardly rotated position.

1 Claim, 6 Drawing Sheets



US D696,105 S

Page 2

(56)

References Cited

U.S. PATENT DOCUMENTS

D477,773 S	7/2003	Gary et al.	
D494,849 S *	8/2004	Jones et al.	D8/395
D530,598 S	10/2006	Jackson et al.	
D531,018 S *	10/2006	Jackson et al.	D8/395
D537,330 S *	2/2007	Cox et al.	D8/395
D538,636 S *	3/2007	Jackson et al.	D8/395
D547,170 S *	7/2007	Cox et al.	D8/395
D562,675 S *	2/2008	Cox et al.	D8/395
D675,509 S *	2/2013	Gary et al.	D8/395
2005/0017144 A1 *	1/2005	Jackson et al.	248/309.1

* cited by examiner

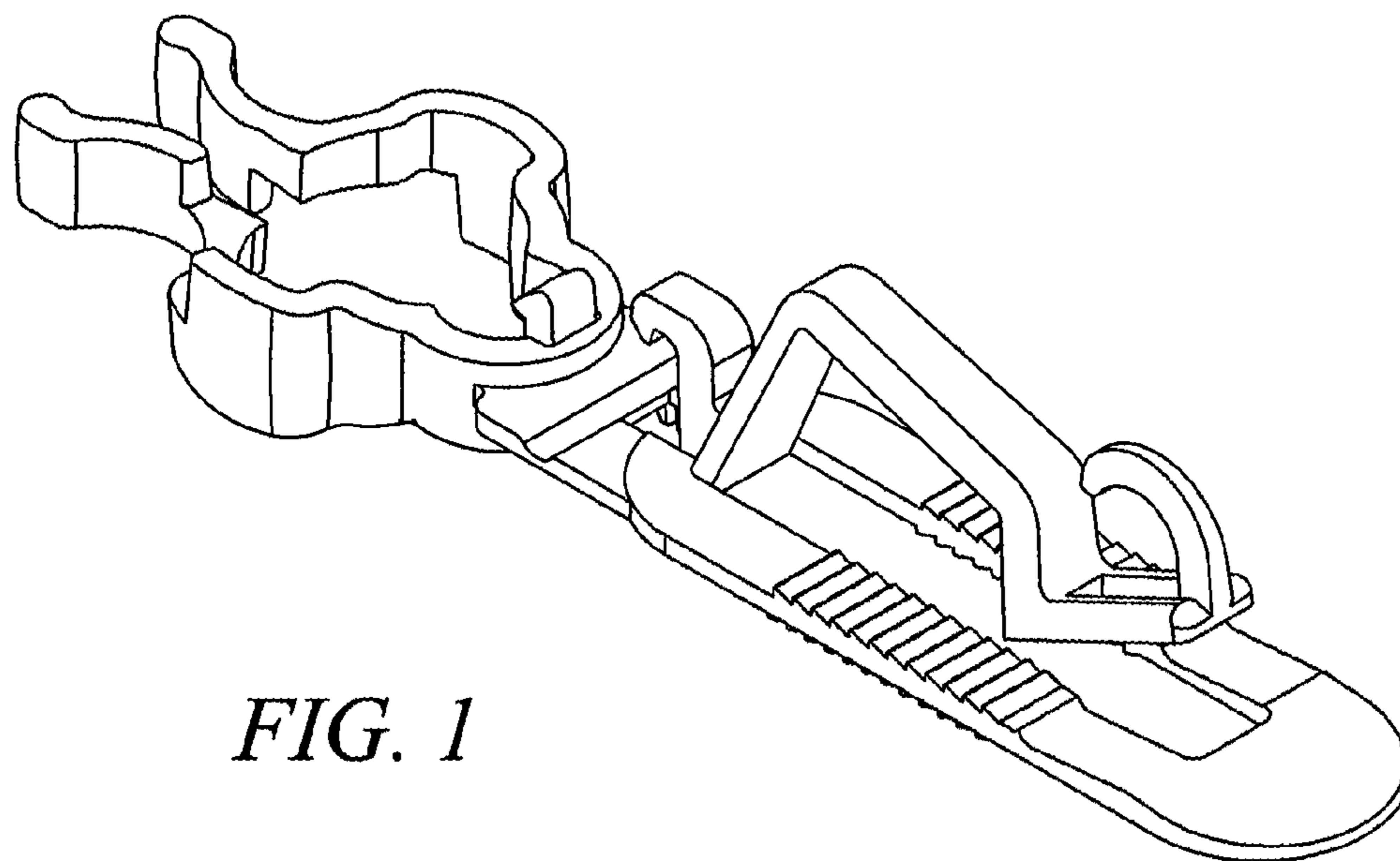


FIG. 1

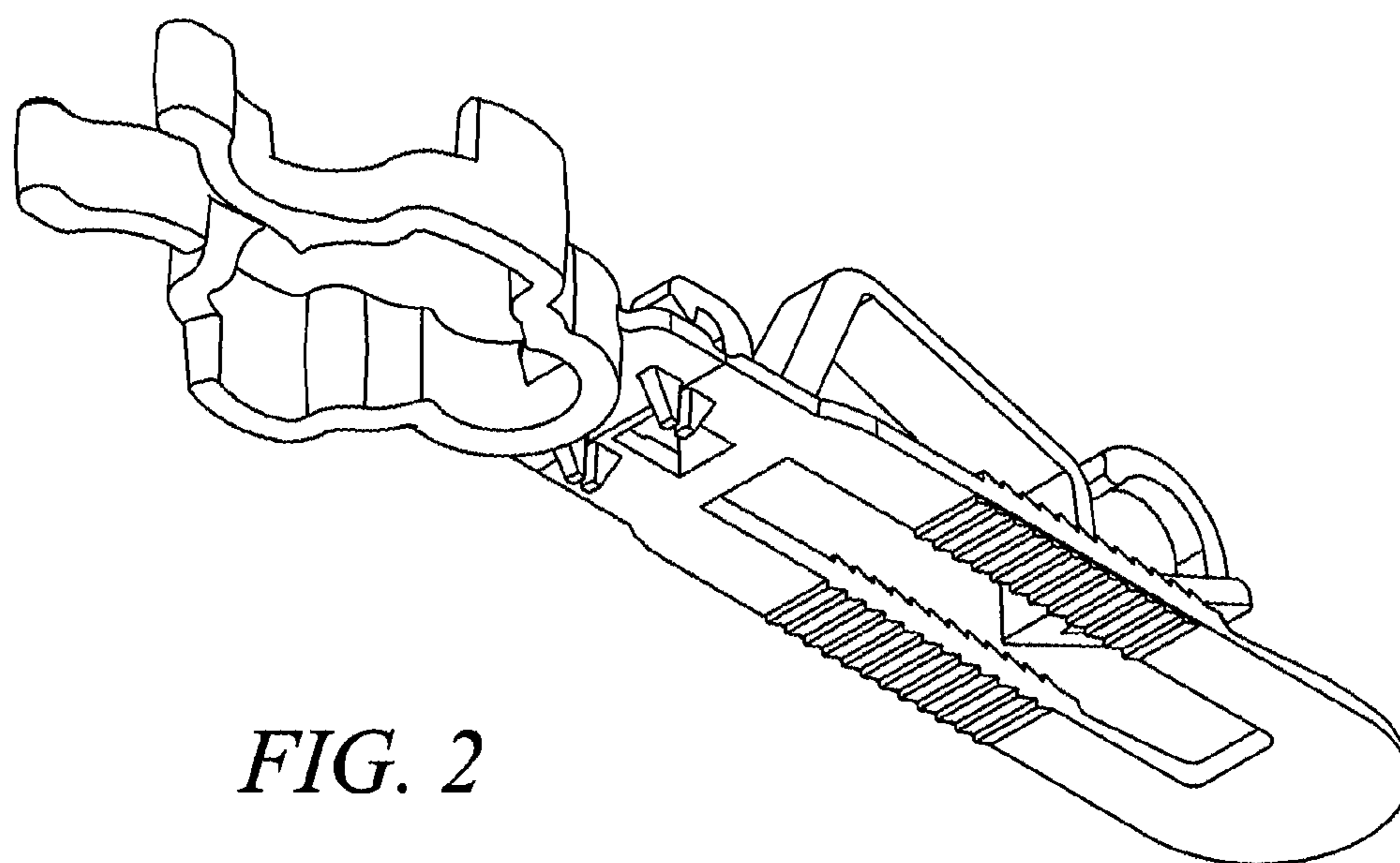


FIG. 2

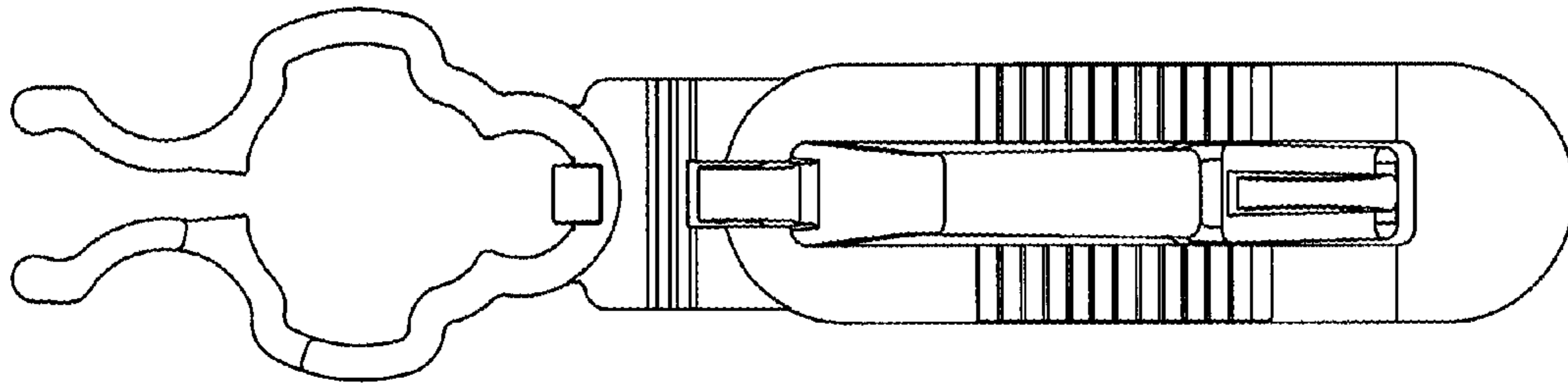


FIG. 3

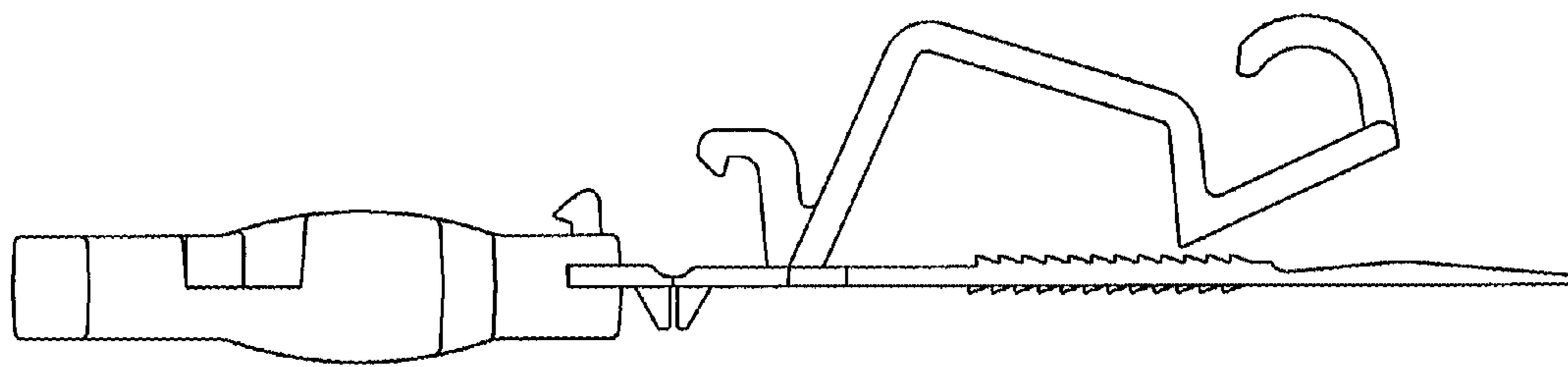


FIG. 4

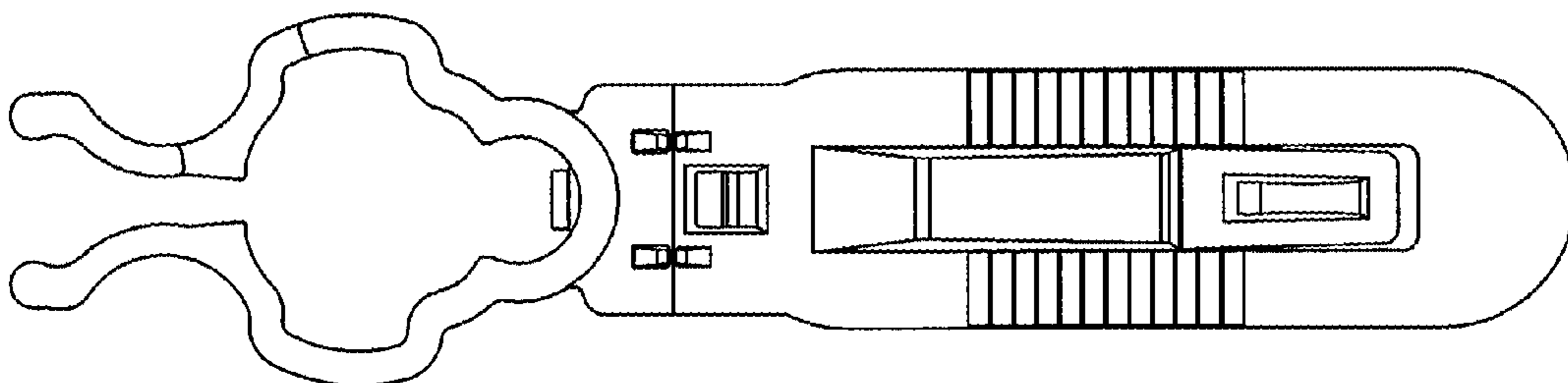


FIG. 5

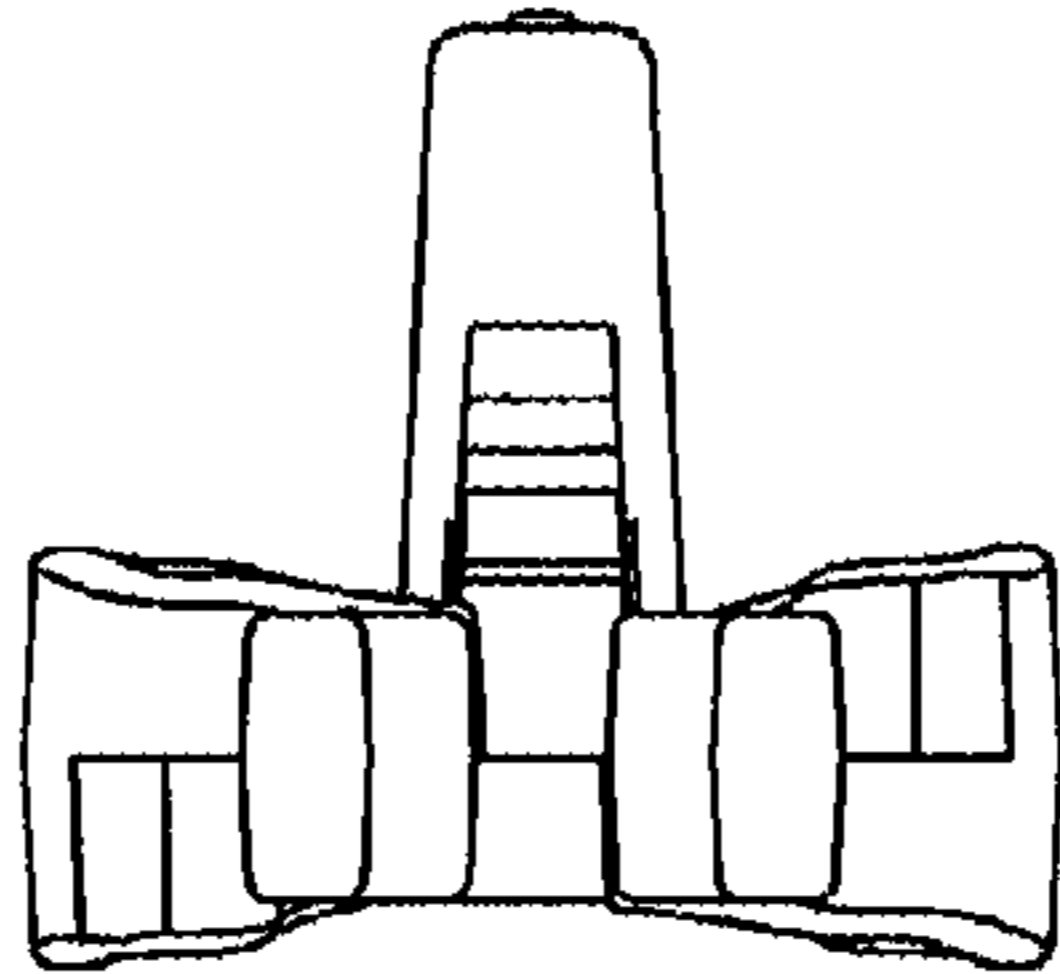


FIG. 6

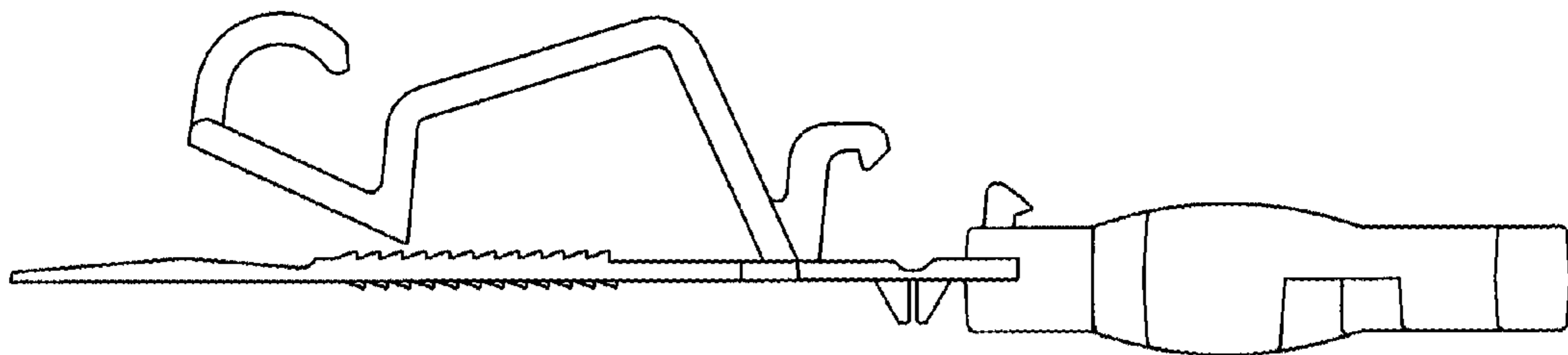


FIG. 7

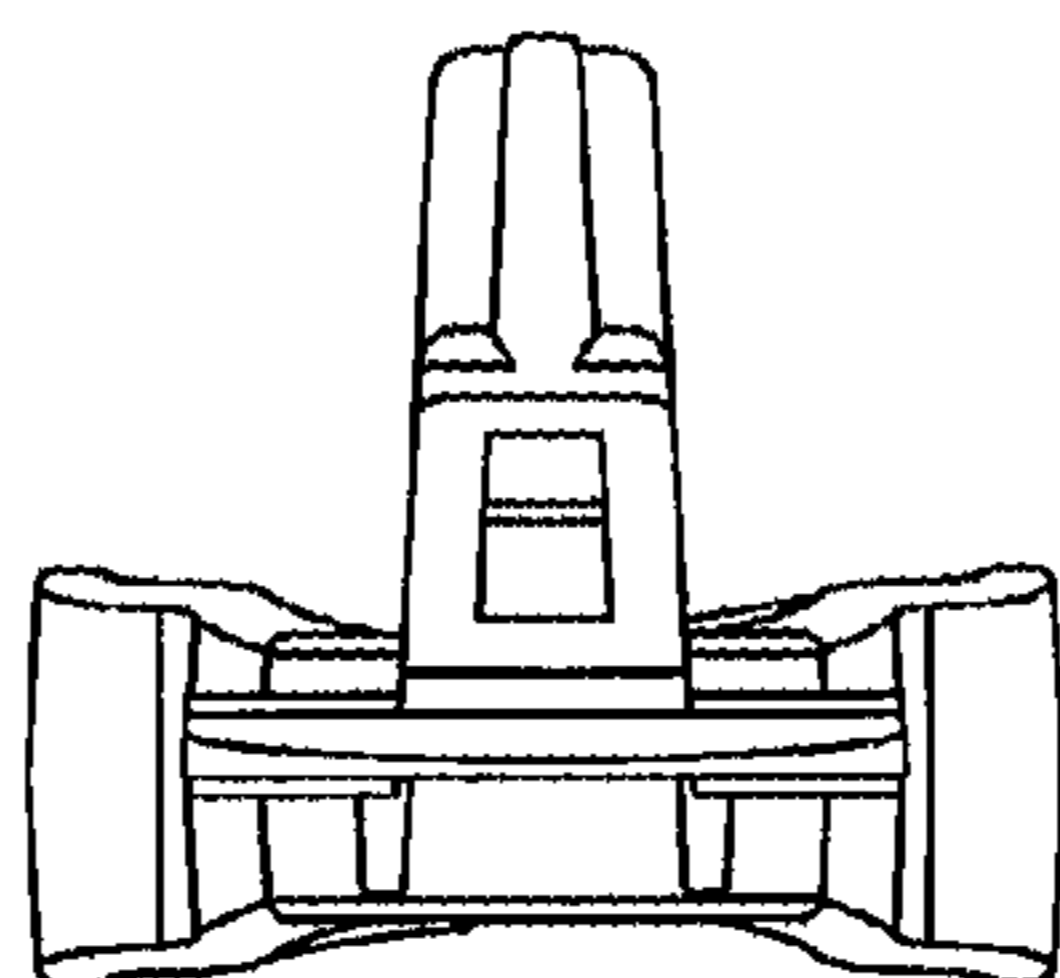


FIG. 8

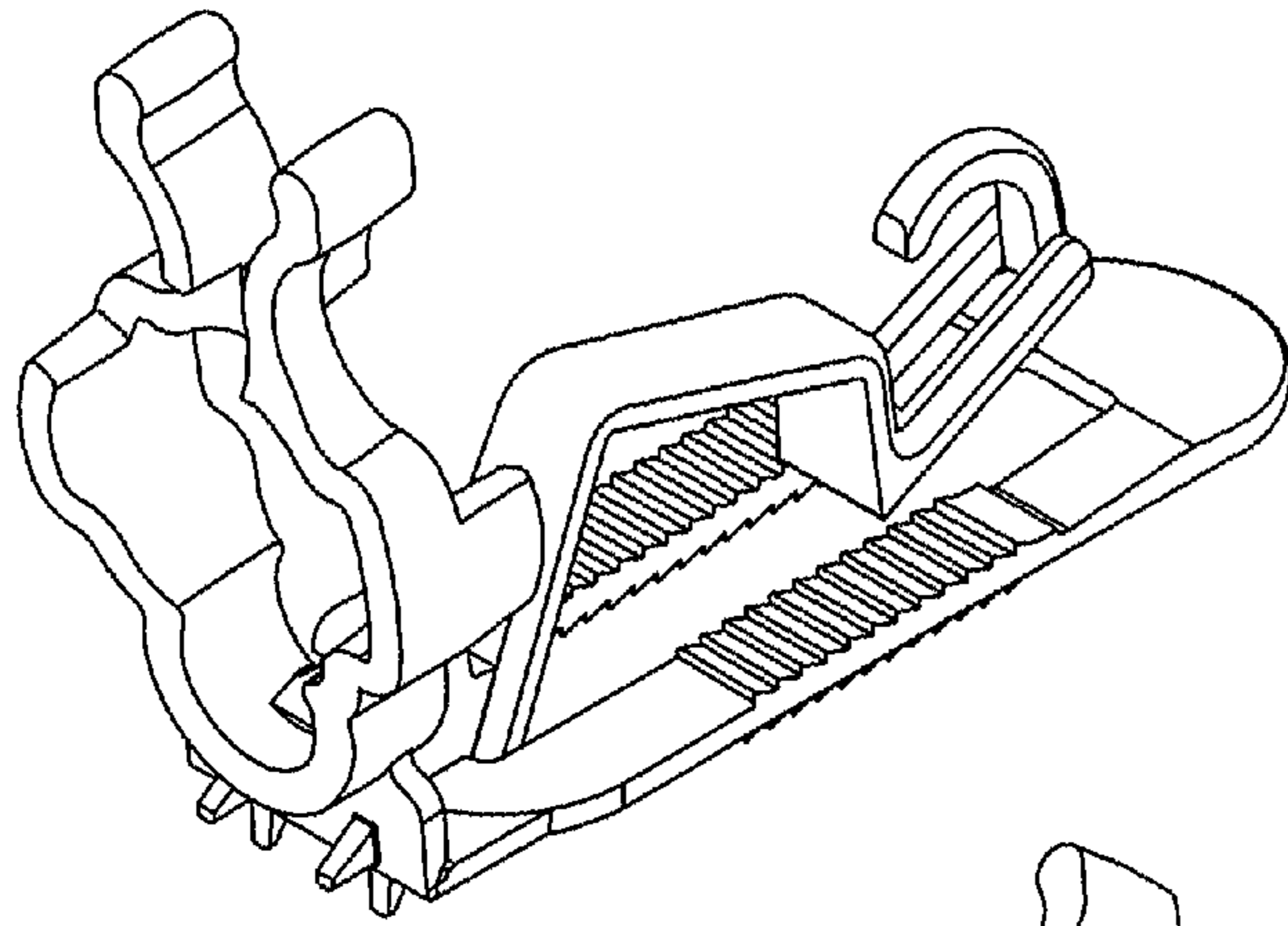


FIG. 9

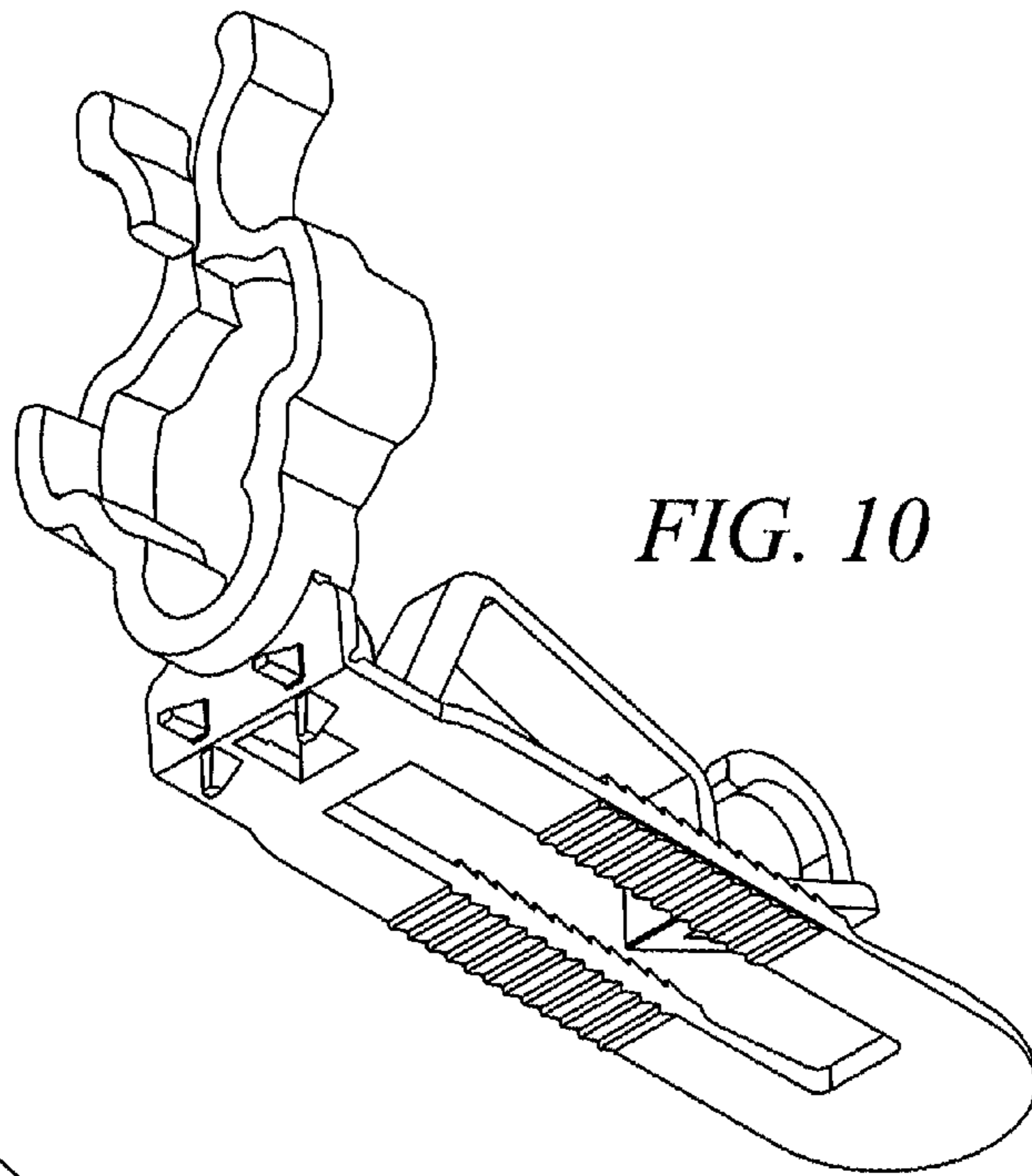


FIG. 10

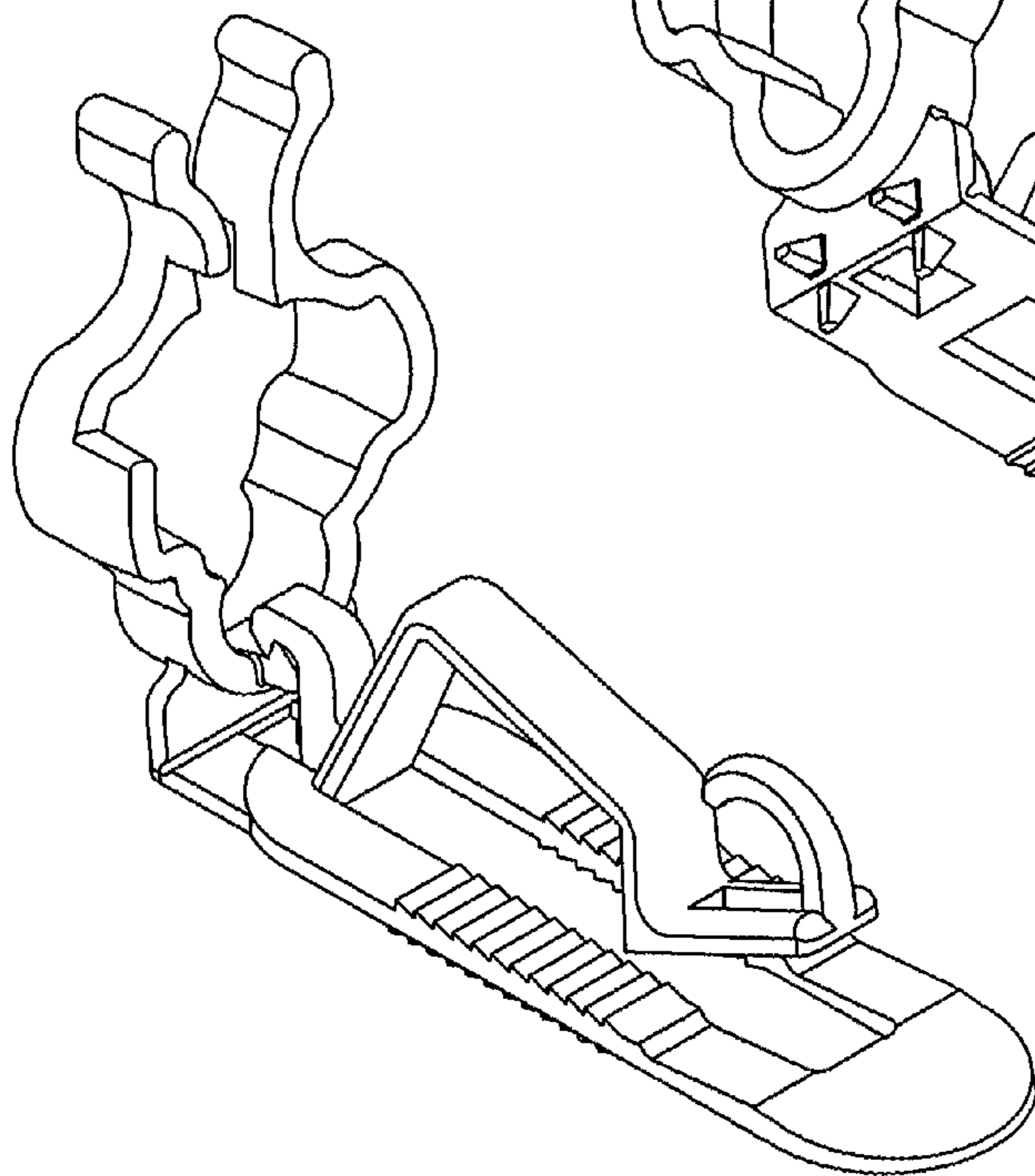


FIG. 11

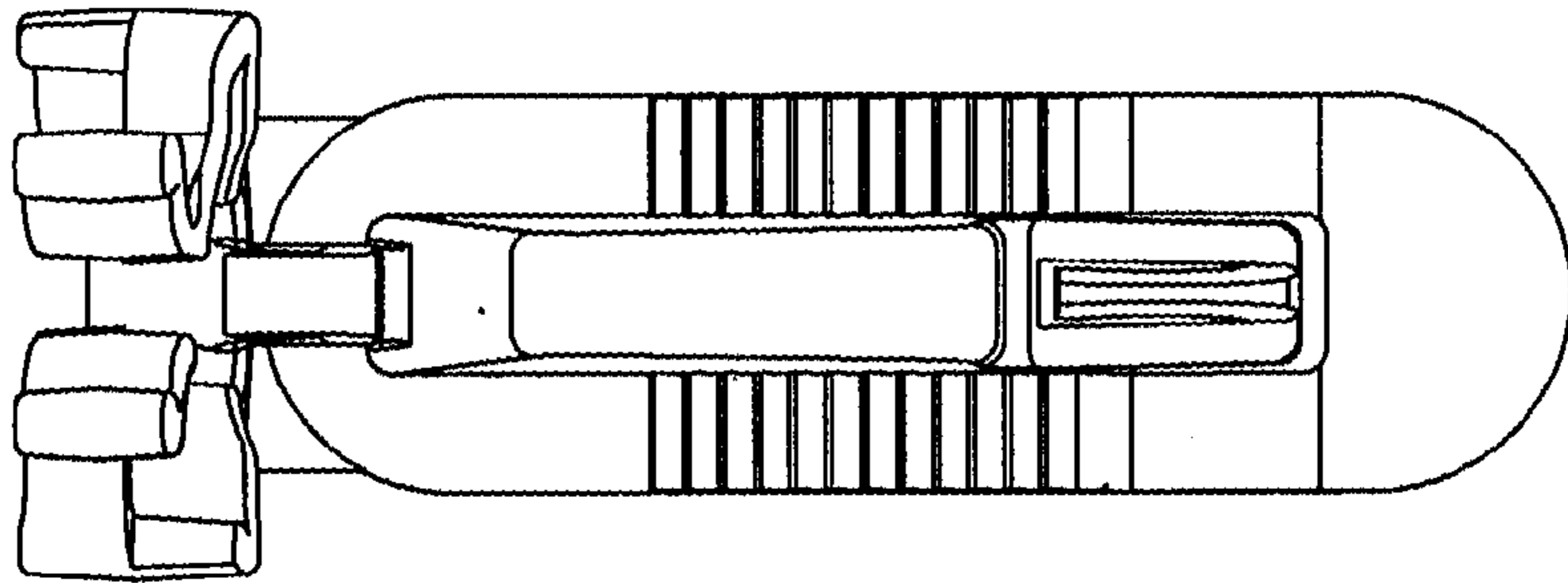


FIG. 12

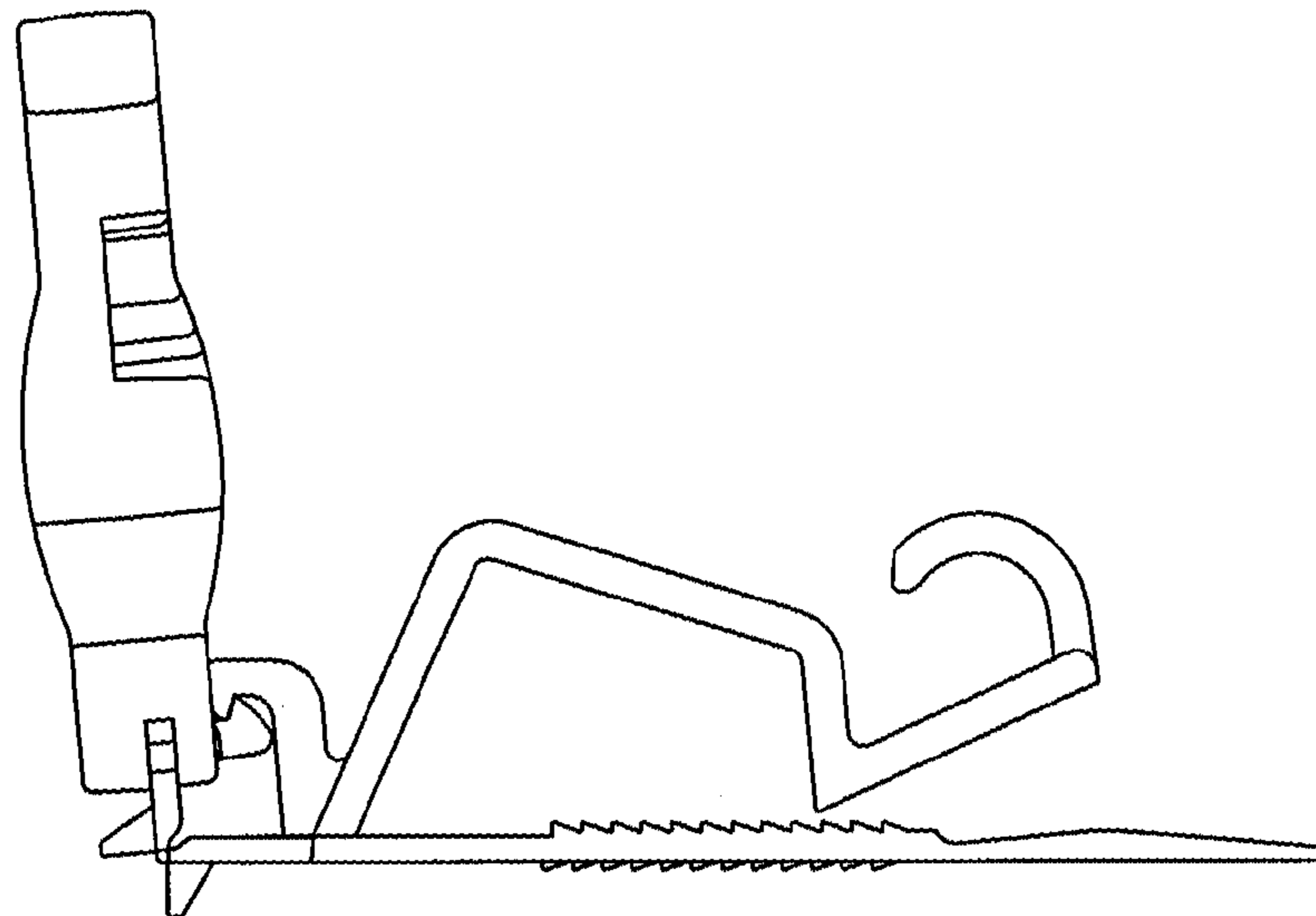


FIG. 13

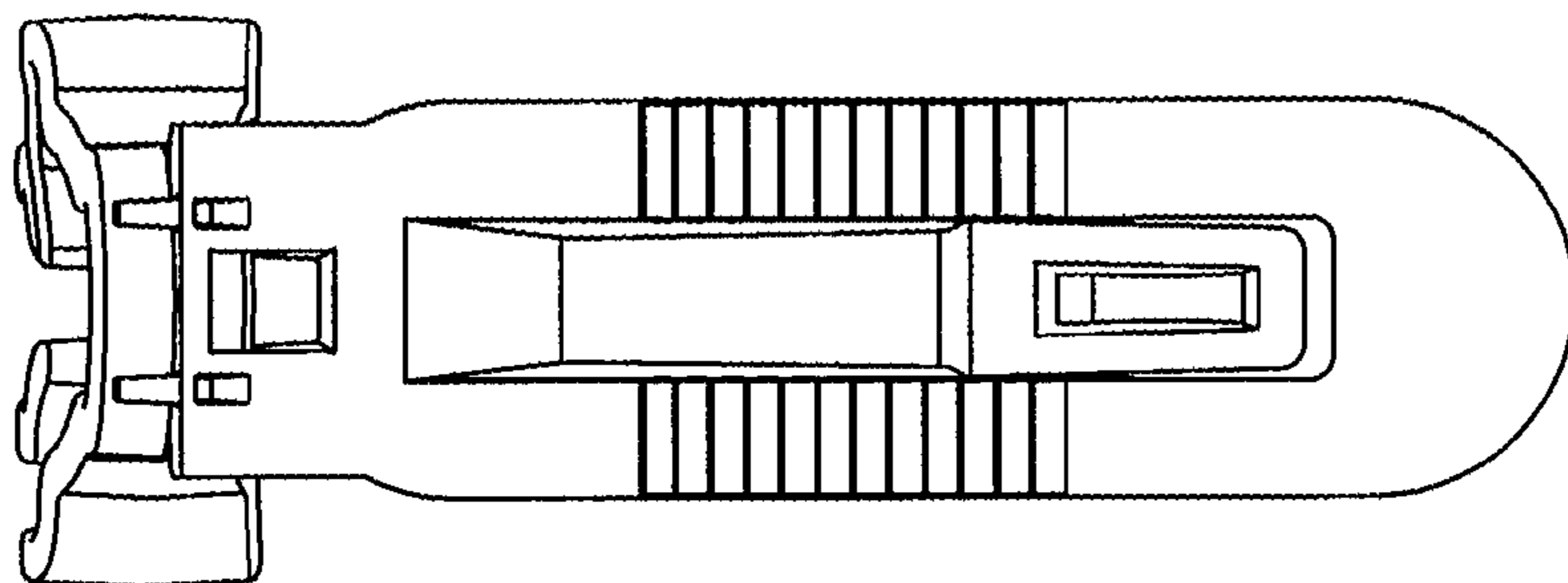


FIG. 14

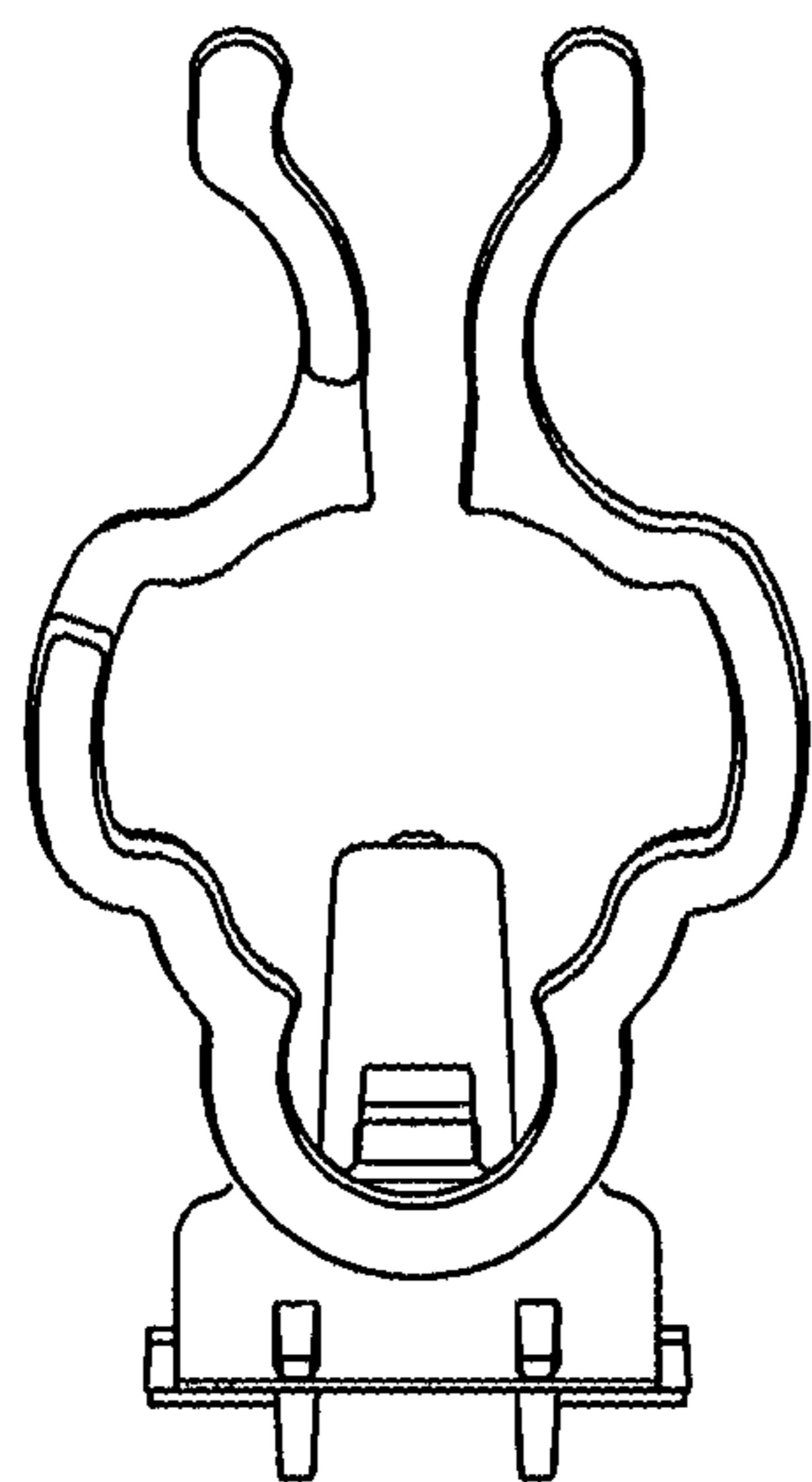


FIG. 15

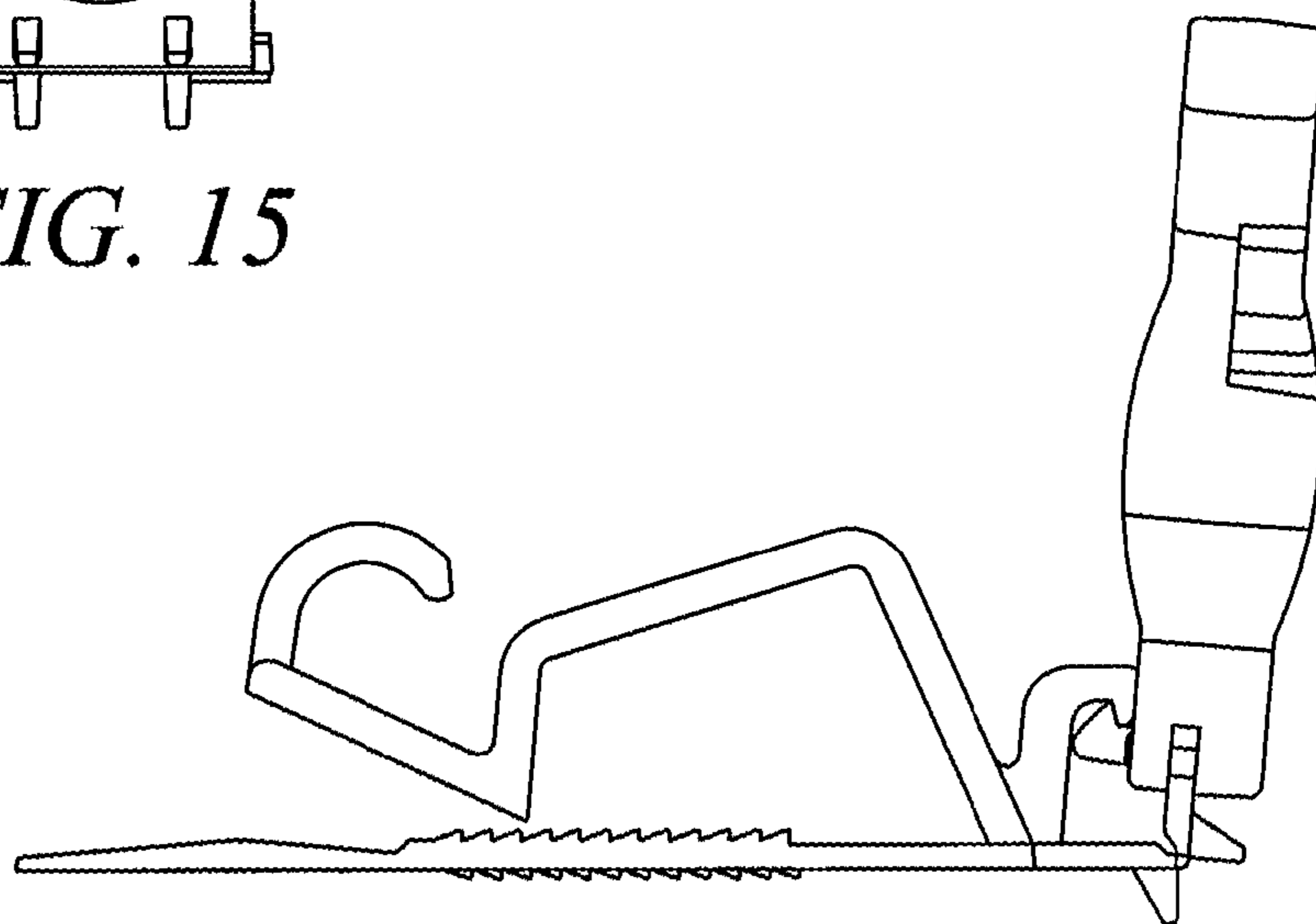


FIG. 16

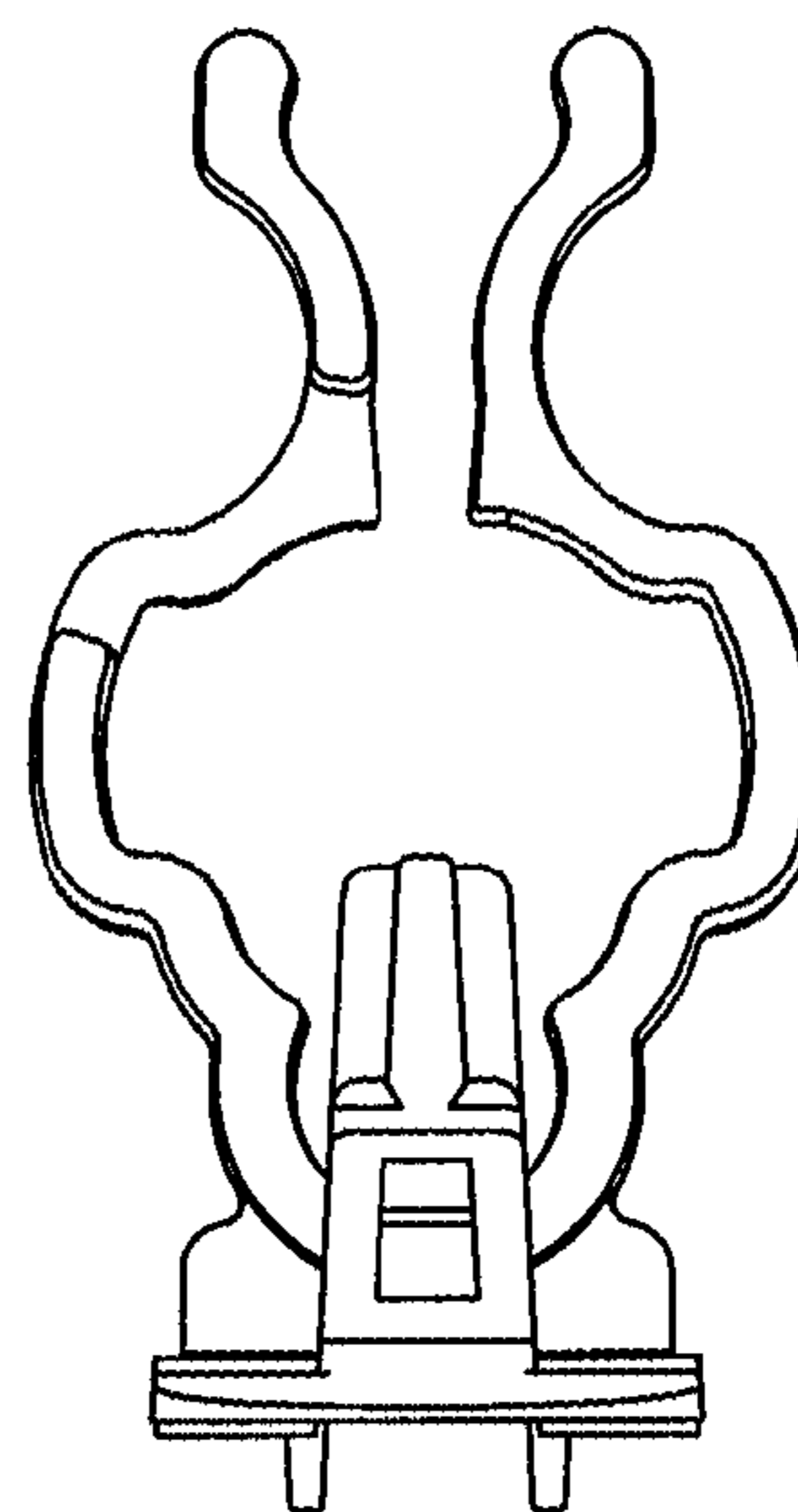


FIG. 17