



US00D696104S

(12) **United States Design Patent**
Kampl

(10) **Patent No.:** **US D696,104 S**

(45) **Date of Patent:** **** Dec. 24, 2013**

(54) **DRAWER SIDE WALL CLAMP**

(71) Applicant: **Julius Blum GmbH**, Hochst (AT)

(72) Inventor: **Markus Kampl**, Dornbirn (AT)

(73) Assignee: **Julius Blum GmbH**, Hochst (AT)

(**) Term: **14 Years**

(21) Appl. No.: **29/436,535**

(22) Filed: **Nov. 7, 2012**

(30) **Foreign Application Priority Data**

May 8, 2012 (EP) 2038539-0010

(51) **LOC (9) Cl.** **08-08**

(52) **U.S. Cl.**
USPC **D8/394**

(58) **Field of Classification Search**
USPC D8/354, 356, 371, 394-396; D19/65,
D19/86; D24/128; 248/74.2, 215, 227.1, 49,
248/300, 301, 316.7, 51, 489; 24/570, 3.12;
D32/61; D11/78.1
See application file for complete search history.

(56) **References Cited**

U.S. PATENT DOCUMENTS

3,231,054 A * 1/1966 Gartrell 52/126.3
3,616,497 A * 11/1971 Esposito, Jr. 4/542

4,065,090 A * 12/1977 Mauney 248/318
D248,924 S * 8/1978 Curtis D8/394
D277,934 S * 3/1985 Beckrot D8/395
D331,462 S * 12/1992 Kraus et al. D24/143
D379,299 S * 5/1997 Fitzgibbons D8/402
D393,201 S * 4/1998 Hearidge et al. D8/395
D564,871 S * 3/2008 Pitcher D8/395
D565,944 S * 4/2008 Pitcher D8/395
D606,379 S * 12/2009 Hughes D8/72
D658,977 S * 5/2012 Riddell et al. D8/394
8,322,108 B2 * 12/2012 Lee et al. 52/677
2007/0193189 A1 * 8/2007 Bennett et al. 52/677
2008/0251660 A1 * 10/2008 Spyker 248/176.1
2009/0044481 A1 * 2/2009 Turek 52/687

* cited by examiner

Primary Examiner — John Windmuller

(74) *Attorney, Agent, or Firm* — Wenderoth, Lind & Ponack,
L.L.P.

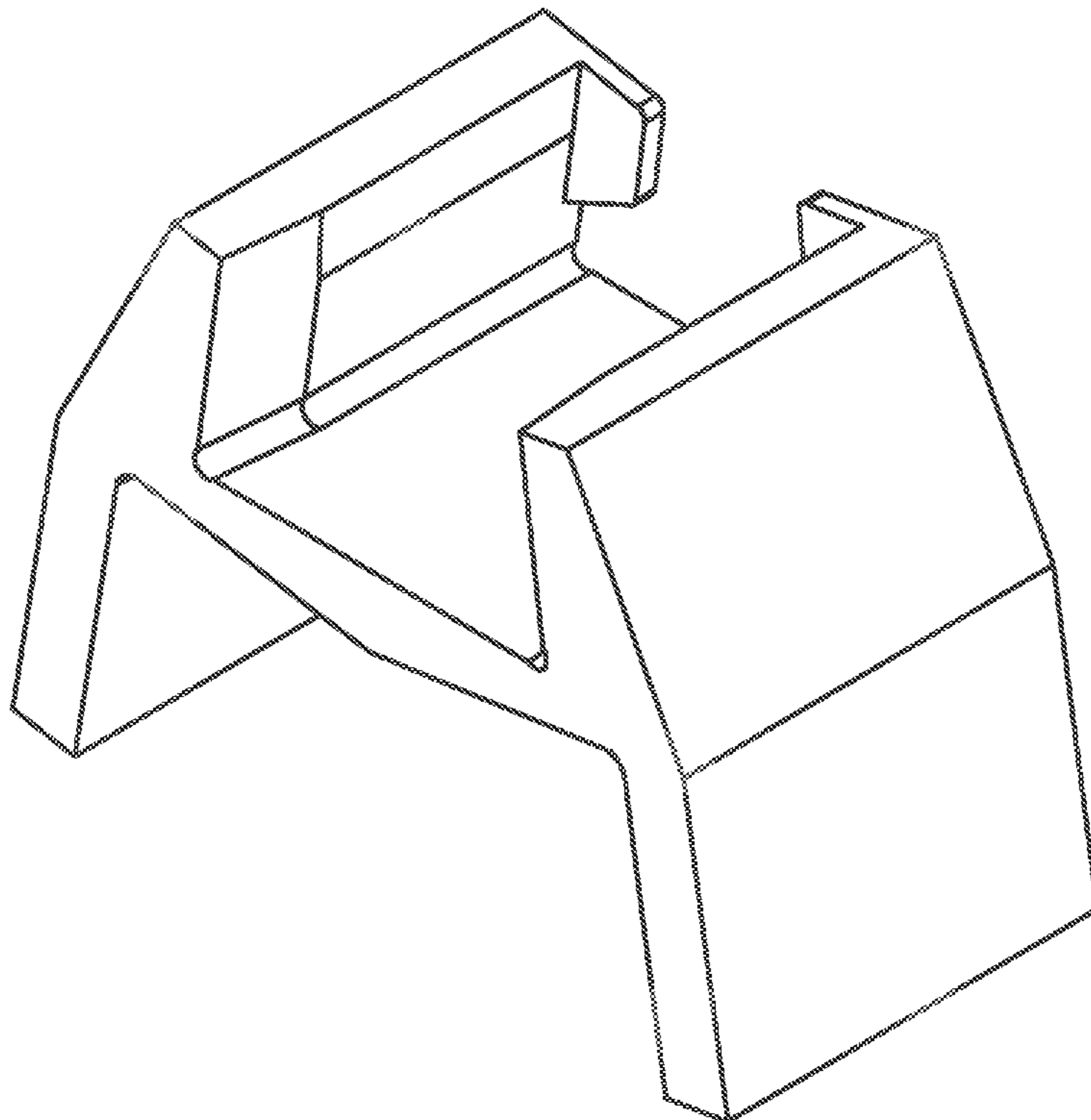
(57) **CLAIM**

The ornamental design for a drawer side wall clamp, as shown
and described.

DESCRIPTION

FIG. 1 is a perspective view of a drawer side wall clamp;
FIG. 2 is a top view thereof;
FIG. 3 is a bottom view thereof;
FIG. 4 is a rear view thereof;
FIG. 5 is a front view thereof;
FIG. 6 is a right-side view thereof; and,
FIG. 7 is a left-side view thereof.

1 Claim, 7 Drawing Sheets



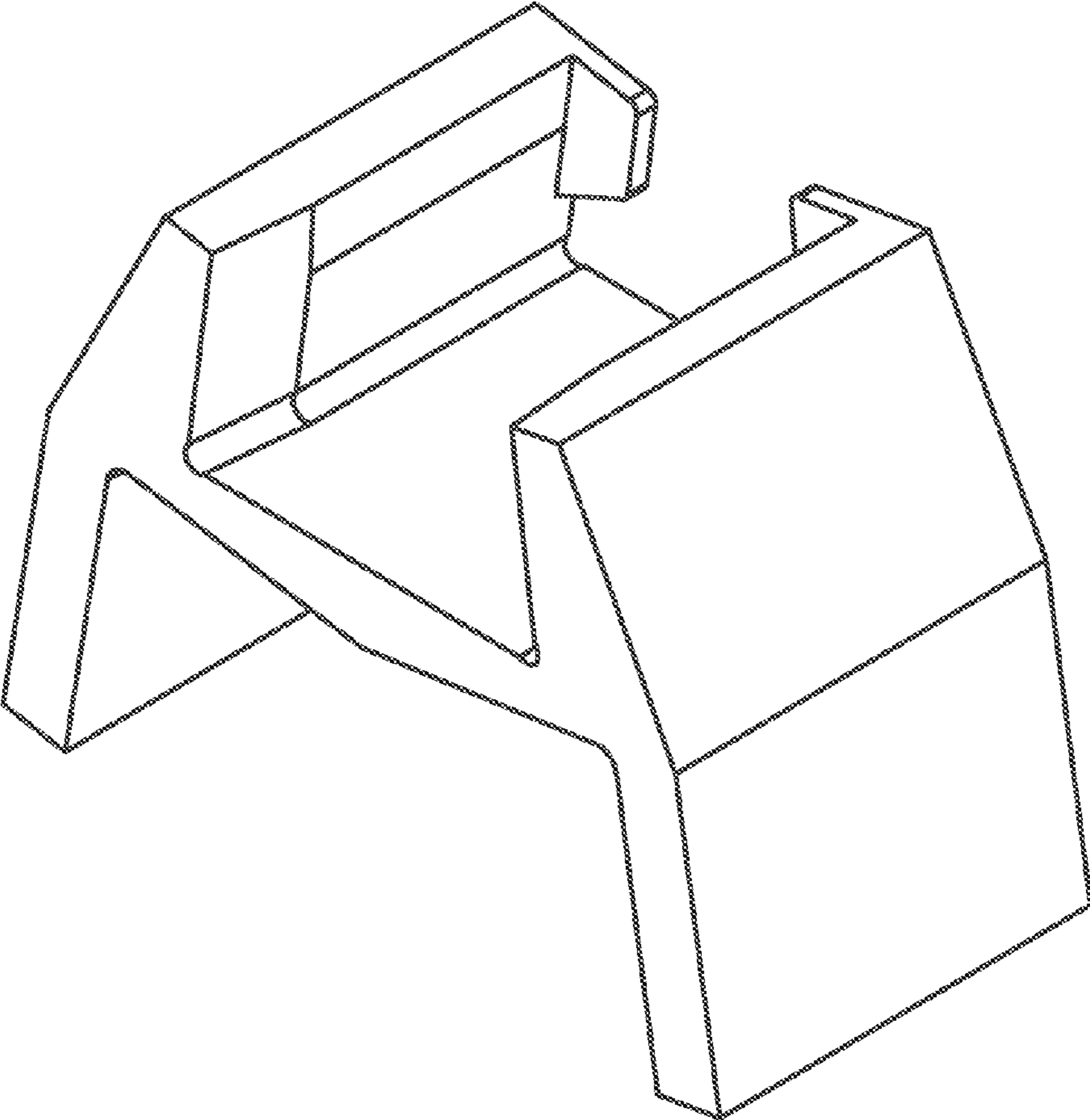


Fig. 1

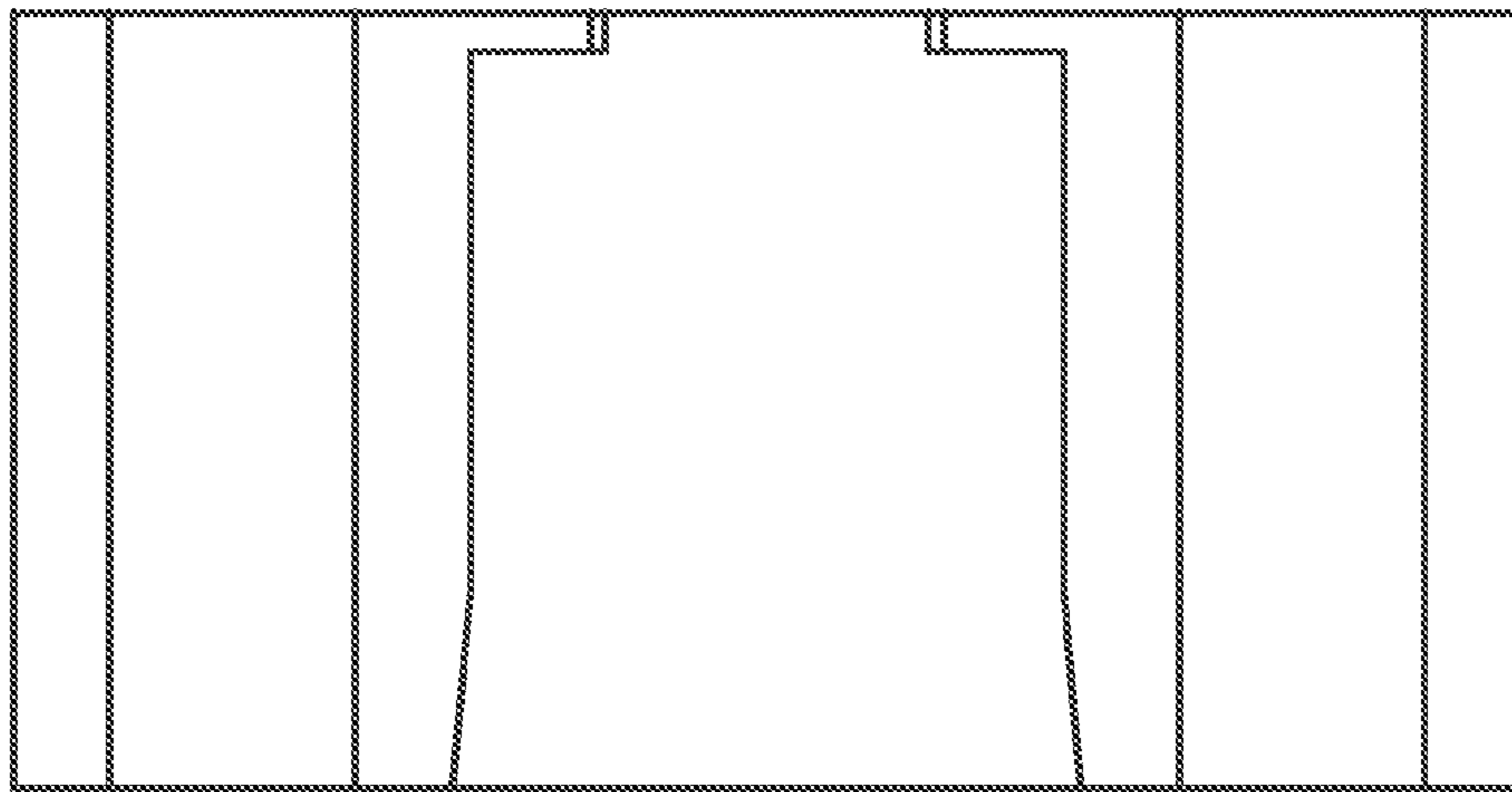


Fig. 2

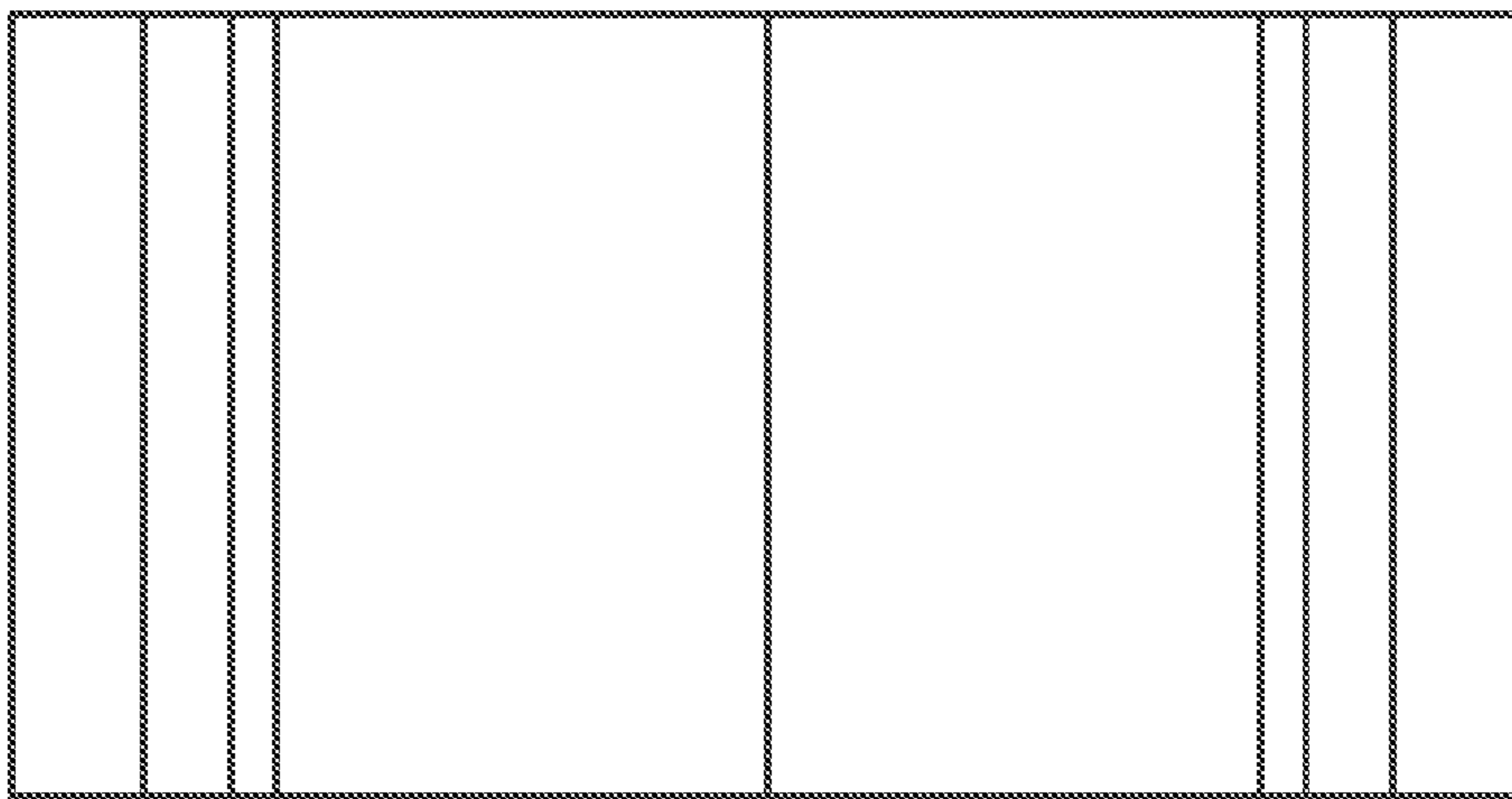


Fig. 3

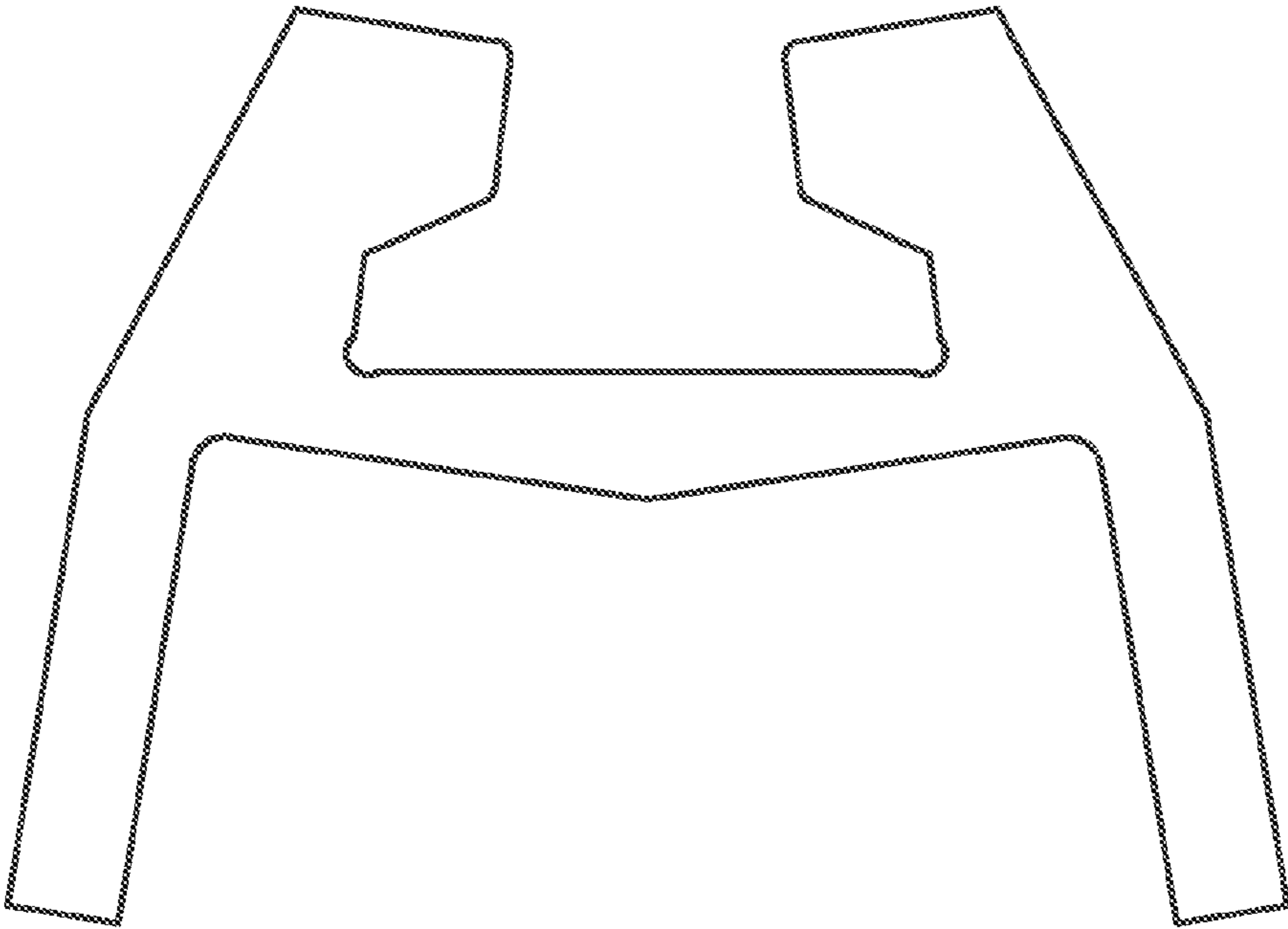


Fig. 4

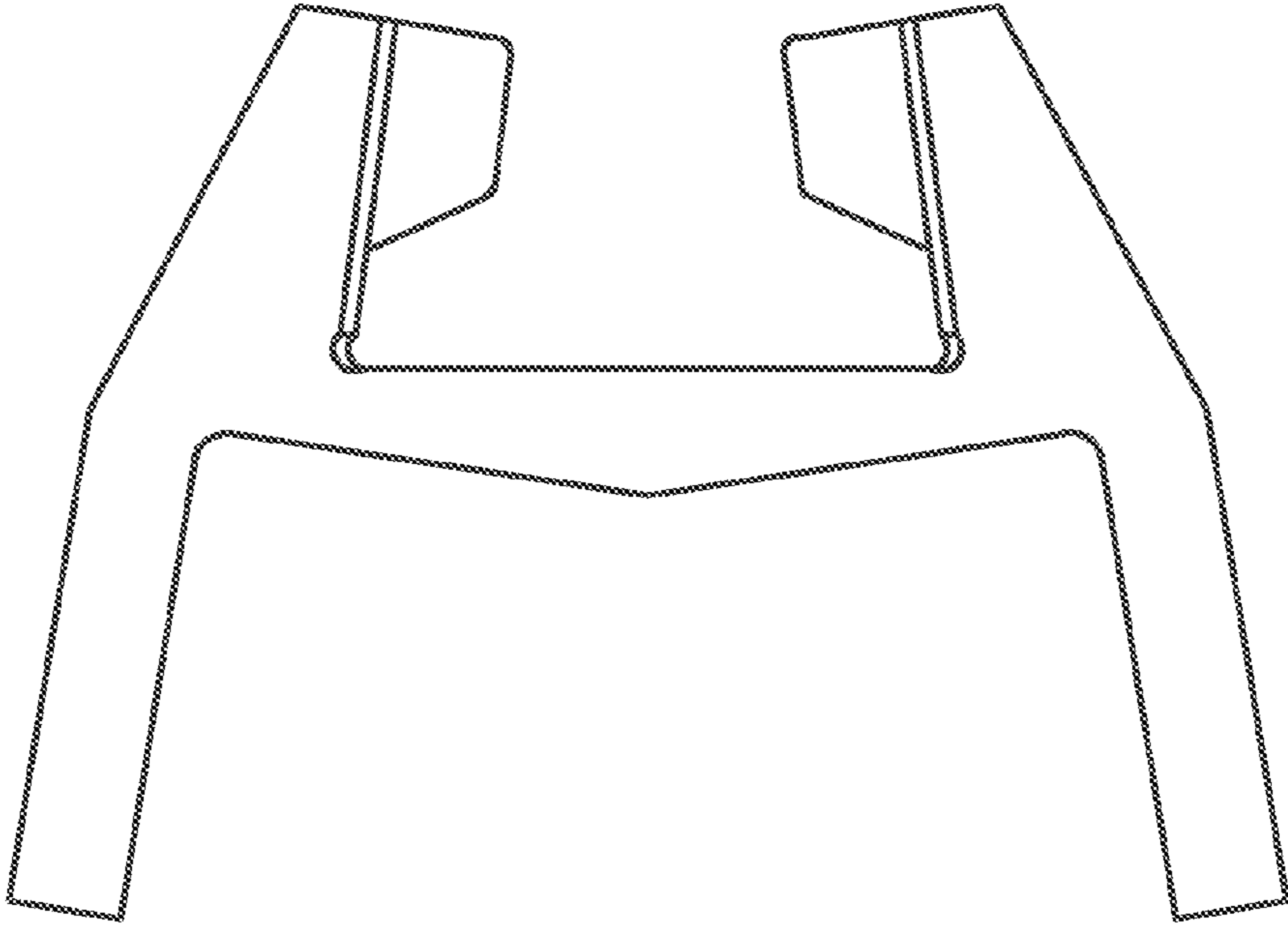


Fig. 5

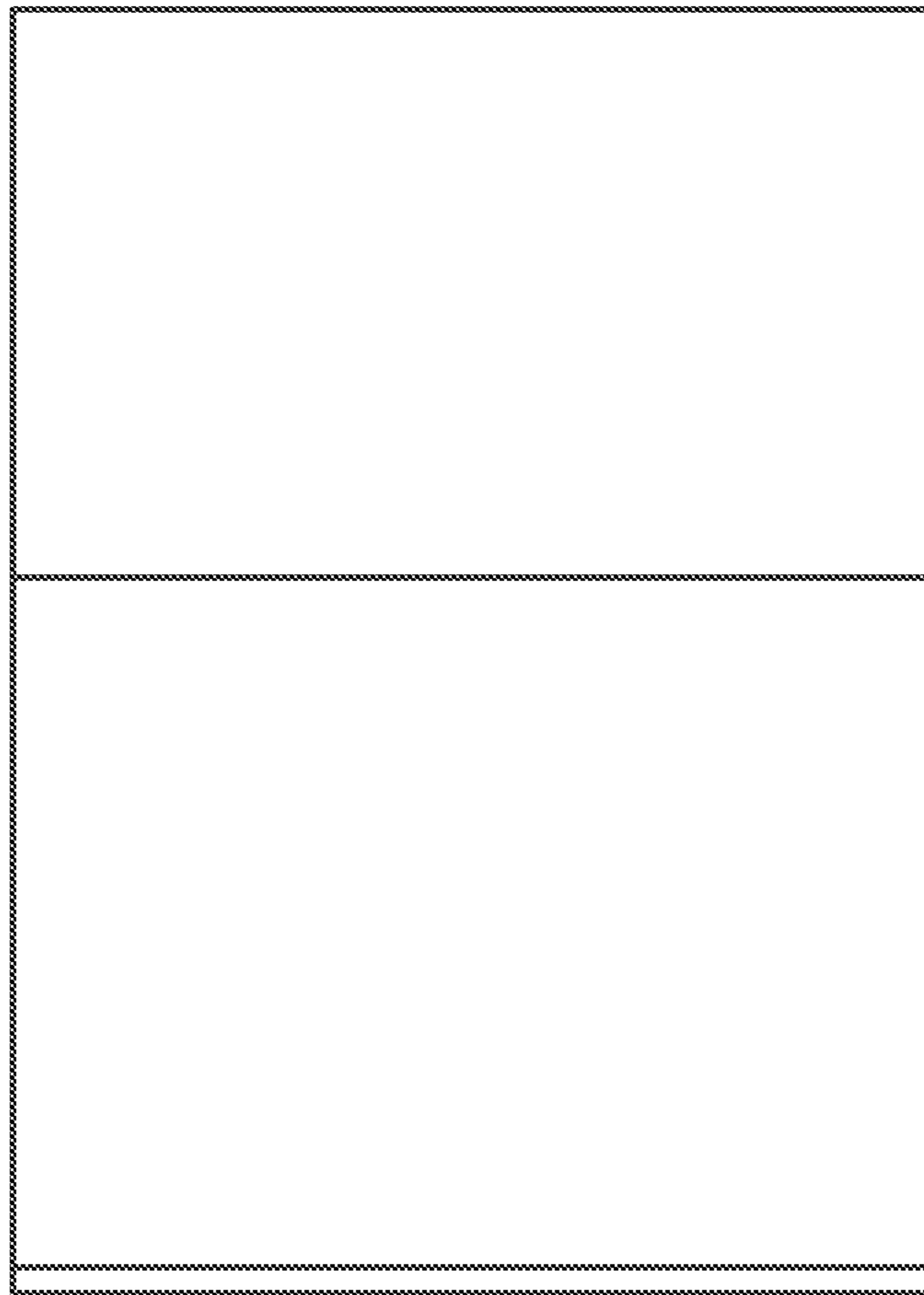


Fig. 6

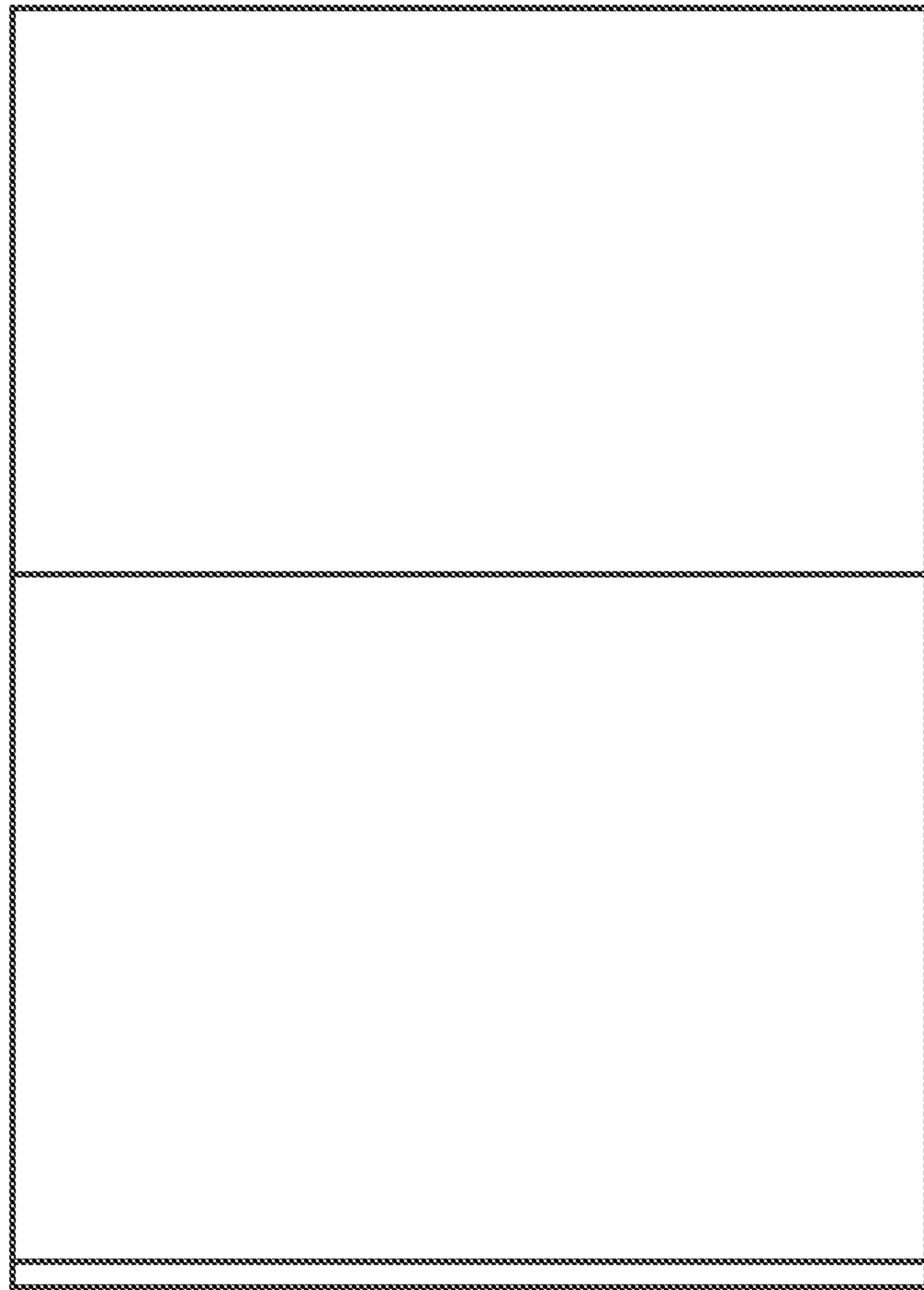


Fig. 7