



US00D696103S

(12) **United States Design Patent**
Hsu

(10) **Patent No.:** **US D696,103 S**
(45) **Date of Patent:** **** Dec. 24, 2013**

- (54) **SCREW**
- (75) Inventor: **Yuan-Chang Hsu**, Taichung (TW)
- (73) Assignee: **Fastex Industry Co., Ltd.**, Changhua County (TW)
- (**) Term: **14 Years**
- (21) Appl. No.: **29/431,040**
- (22) Filed: **Aug. 31, 2012**

8,348,571	B2 *	1/2013	Shih	411/386
8,348,573	B2 *	1/2013	Chang	411/387.1
8,353,655	B2 *	1/2013	Rainer	411/387.1
D676,312	S *	2/2013	Lin	D8/387
D678,756	S *	3/2013	Tsai	D8/387
D678,758	S *	3/2013	Ross et al.	D8/387
2002/0127084	A1	9/2002	Hsu		
2004/0210227	A1	10/2004	Trail et al.		
2007/0286701	A1	12/2007	Hsu		

* cited by examiner

Primary Examiner — Sheryl Lane

(74) *Attorney, Agent, or Firm* — Muncy, Geissler, Olds & Lowe, PLLC

Related U.S. Application Data

- (63) Continuation-in-part of application No. 12/756,127, filed on Apr. 7, 2010, now abandoned.
- (51) **LOC (9) Cl.** **08-08**
- (52) **U.S. Cl.**
USPC **D8/387**
- (58) **Field of Classification Search**
USPC D8/387, 388, 391; 411/403, 337, 378,
411/410, 402, 411, 393, 405, 412, 481,
411/387.1, 388, 383
See application file for complete search history.

(57) **CLAIM**

I claim the ornamental design for a screw, as shown and described.

DESCRIPTION

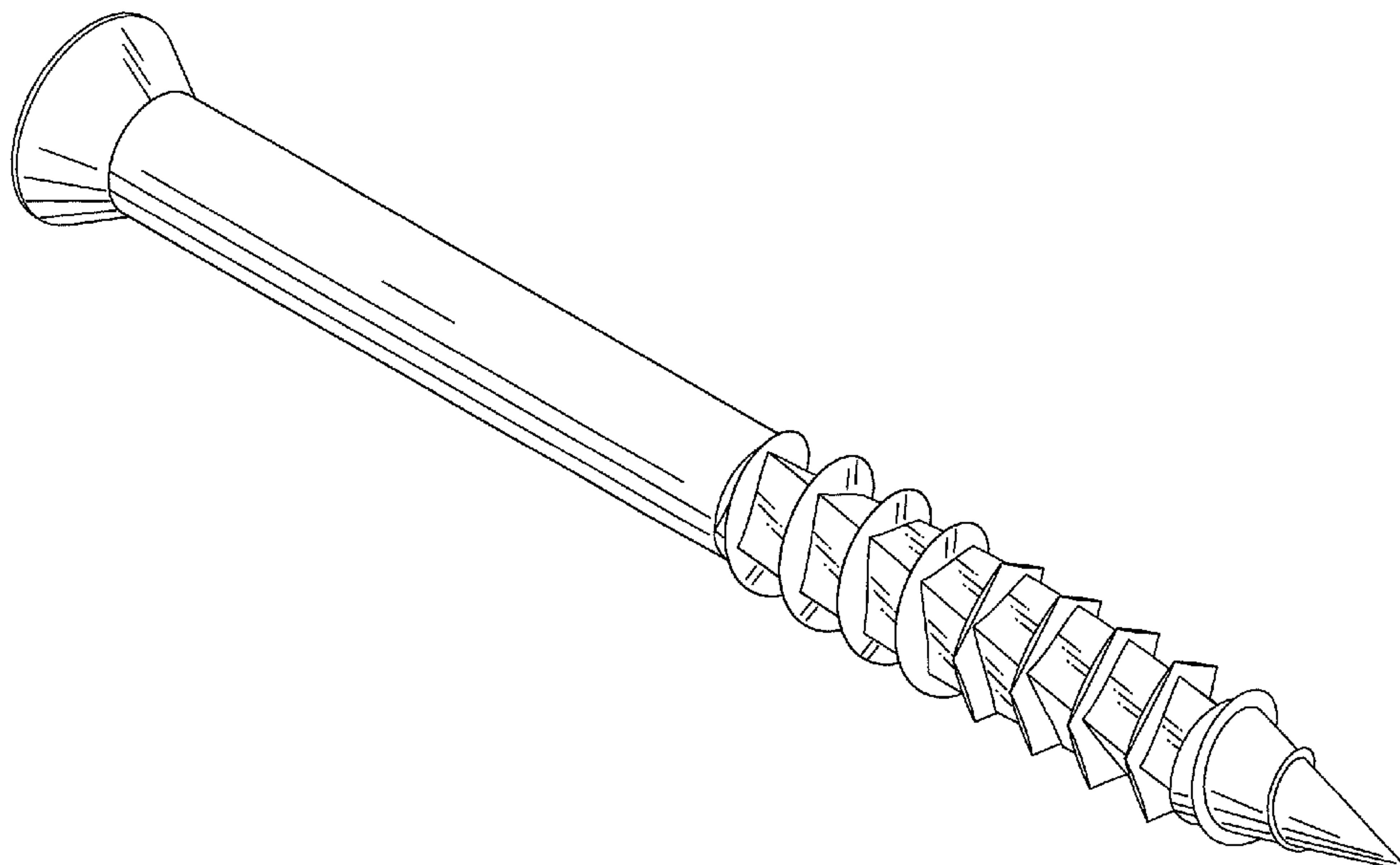
FIG. 1 is a perspective view of the screw showing my new design;
 FIG. 2 is a front view thereof;
 FIG. 3 is a rear view thereof;
 FIG. 4 is a left view thereof;
 FIG. 5 is a right view thereof;
 FIG. 6 is a top plan view thereof;
 FIG. 7 is a bottom plan view thereof;
 FIG. 8 is a perspective view of the screw rotated clockwise around its axis by an angle of 45 degree according to FIG. 1;
 FIG. 9 is a front view of the screw rotated clockwise around its axis by an angle of 45 degree according to FIG. 2;
 FIG. 10 is a cross-sectional view of the screw, taken along line 10-10 in FIG. 9; and,
 FIG. 11 is an enlarged view of FIG. 10.
 The broken lines represent portions of the screw and form no part of the claimed design.

(56) **References Cited**

U.S. PATENT DOCUMENTS

126,366	A *	4/1872	Wills	411/387.4
138,784	A *	5/1873	Bourn	411/386
411,202	A *	9/1889	Rose	411/414
4,241,638	A *	12/1980	Shimizu et al.	411/386
5,188,496	A *	2/1993	Giannuzzi	411/386
D551,543	S *	9/2007	Williams et al.	D8/387
D567,075	S *	4/2008	Kashikura et al.	D8/387
7,695,228	B2 *	4/2010	Craven	411/413
7,713,292	B2	5/2010	Biedermann et al.		
RE42,207	E *	3/2011	Janusz	411/412
D637,071	S *	5/2011	Gaudron et al.	D8/387
D651,507	S *	1/2012	Dotsey	D8/387

1 Claim, 7 Drawing Sheets



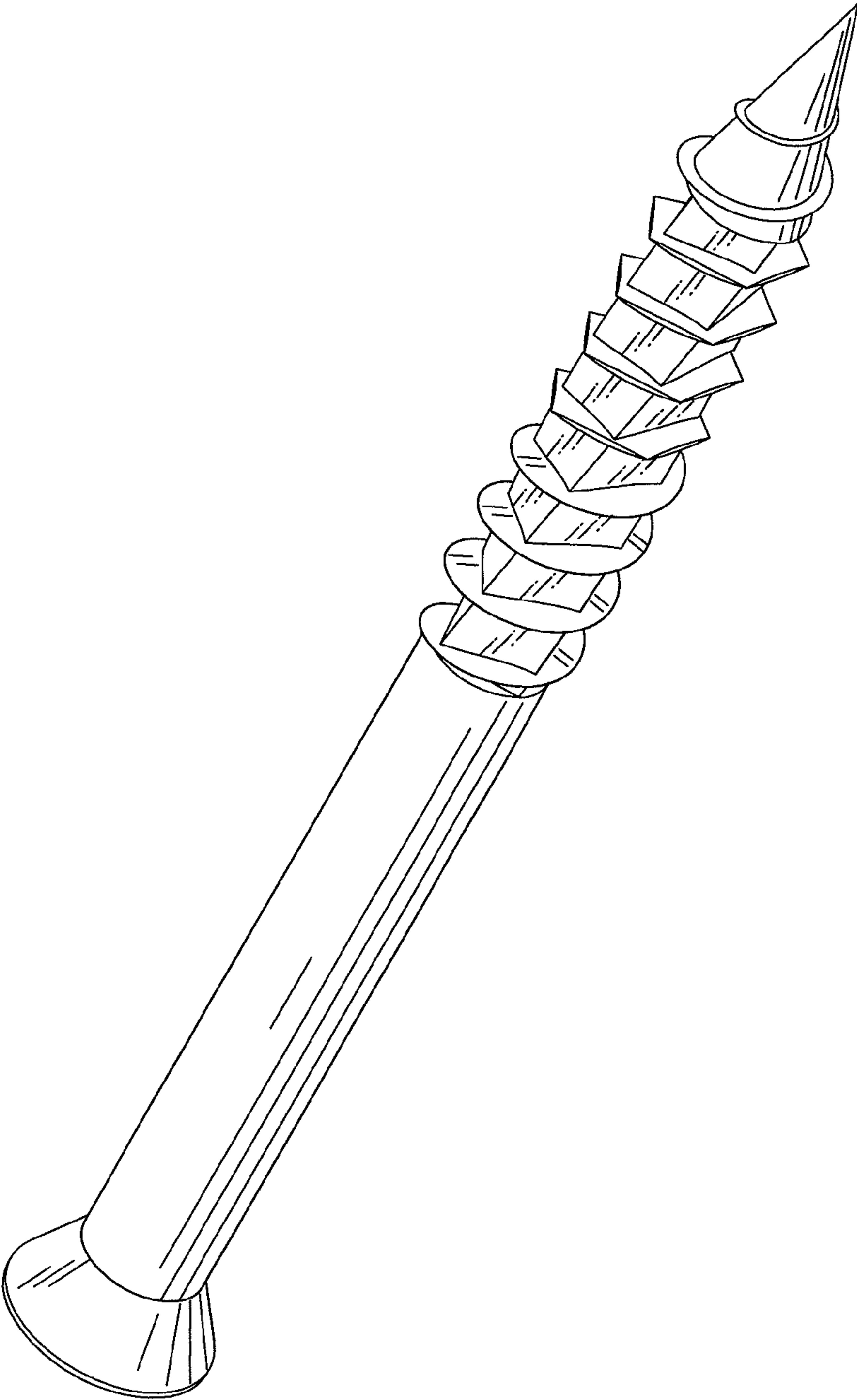


FIG. 1

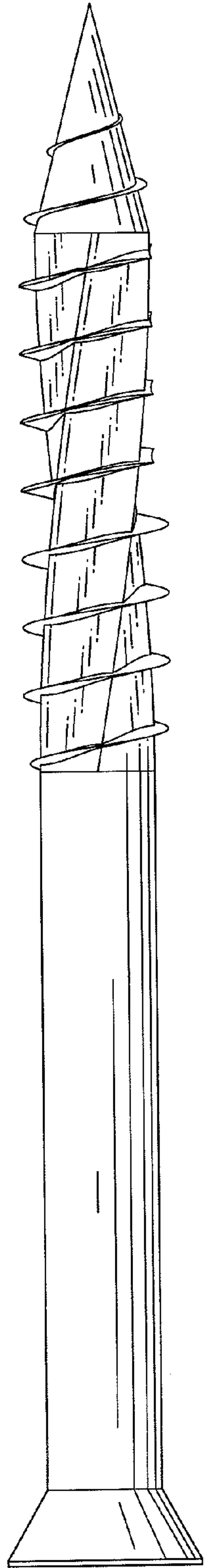


FIG. 2

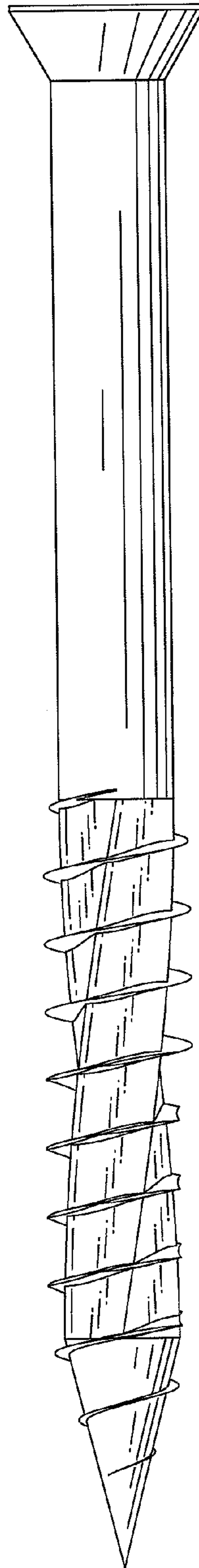


FIG. 3

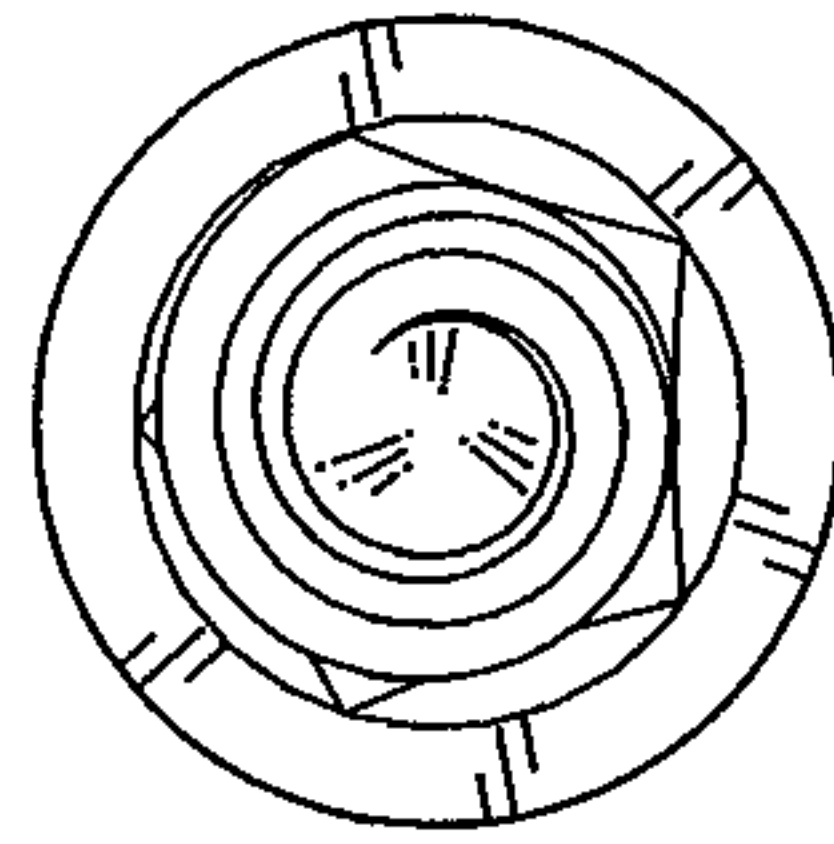


FIG. 5

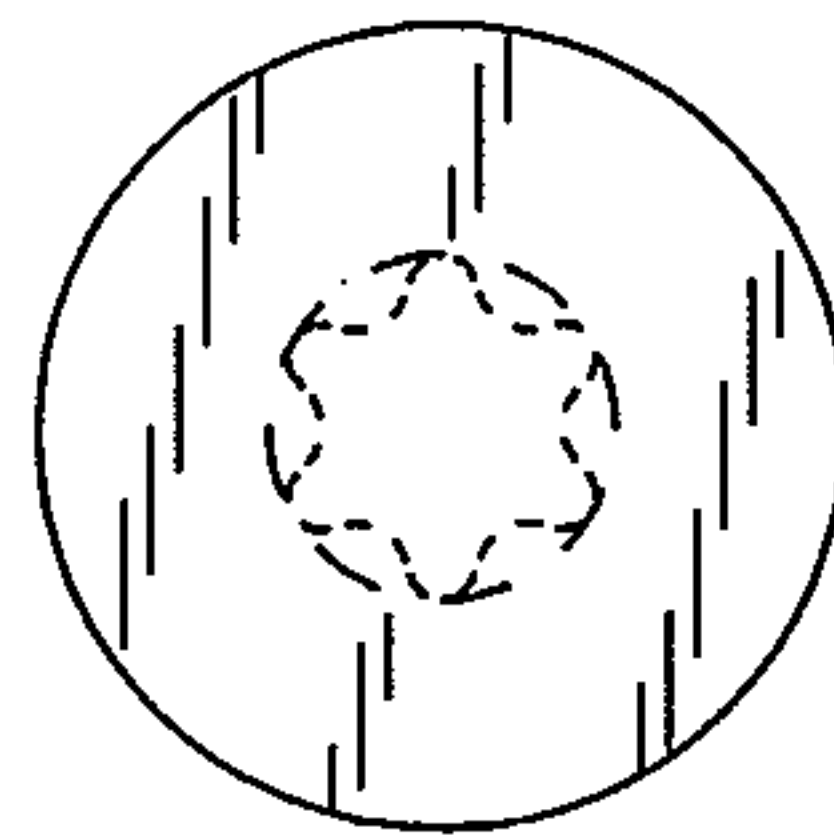


FIG. 4

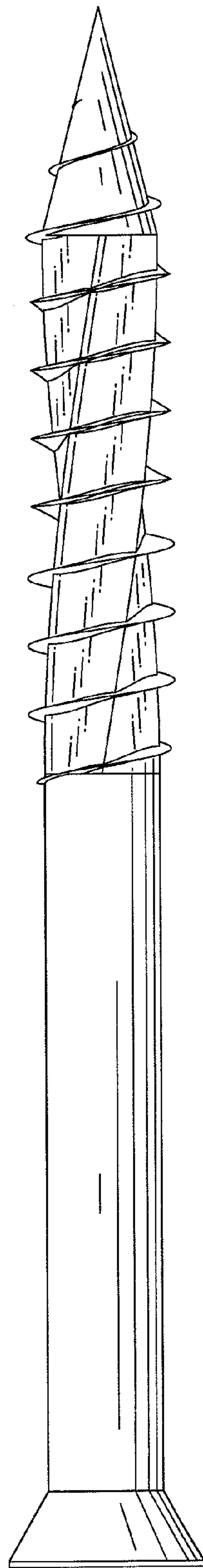


FIG. 6

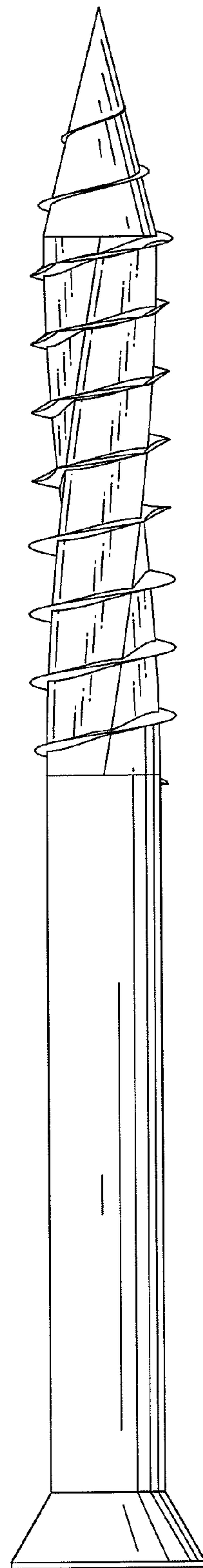


FIG. 7

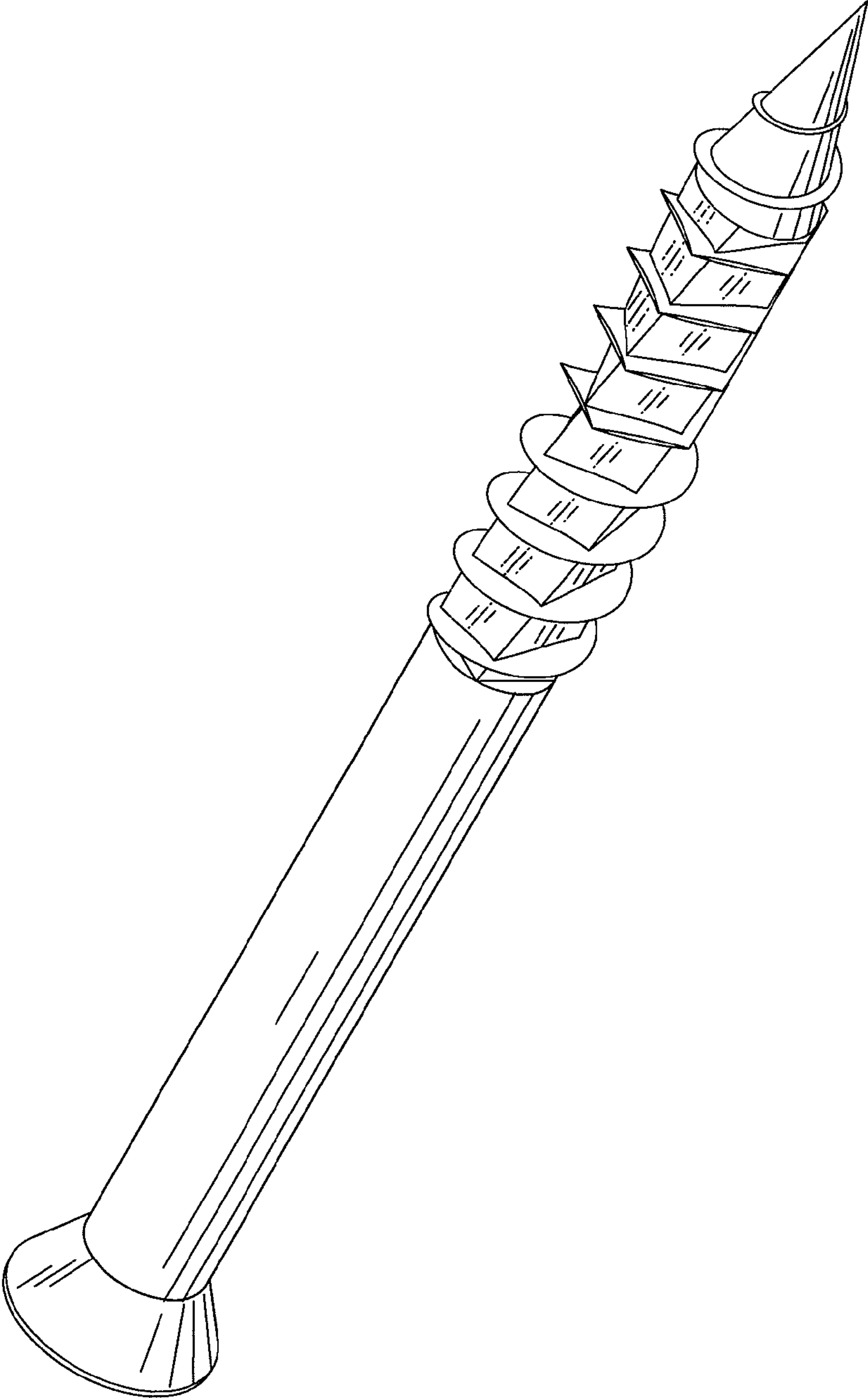


FIG. 8

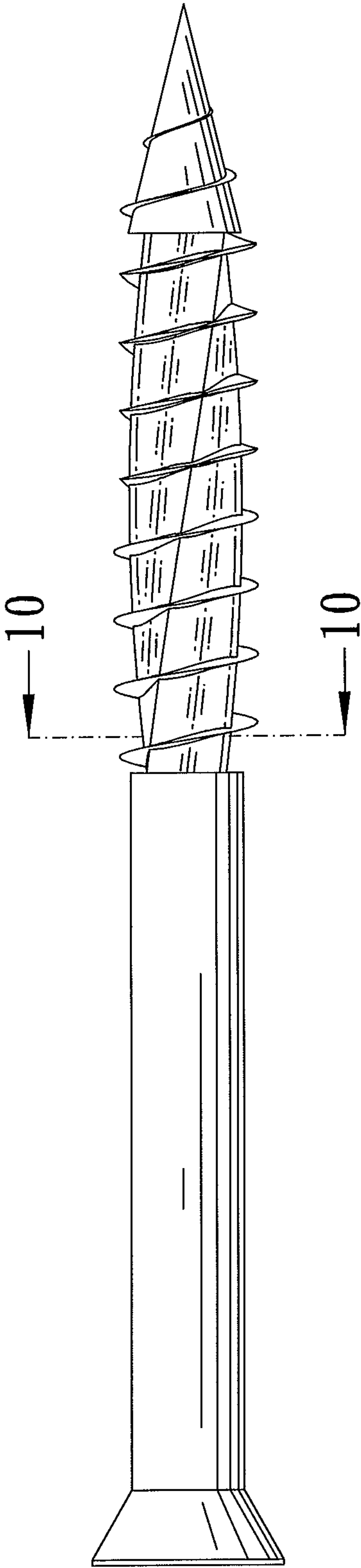


FIG. 9

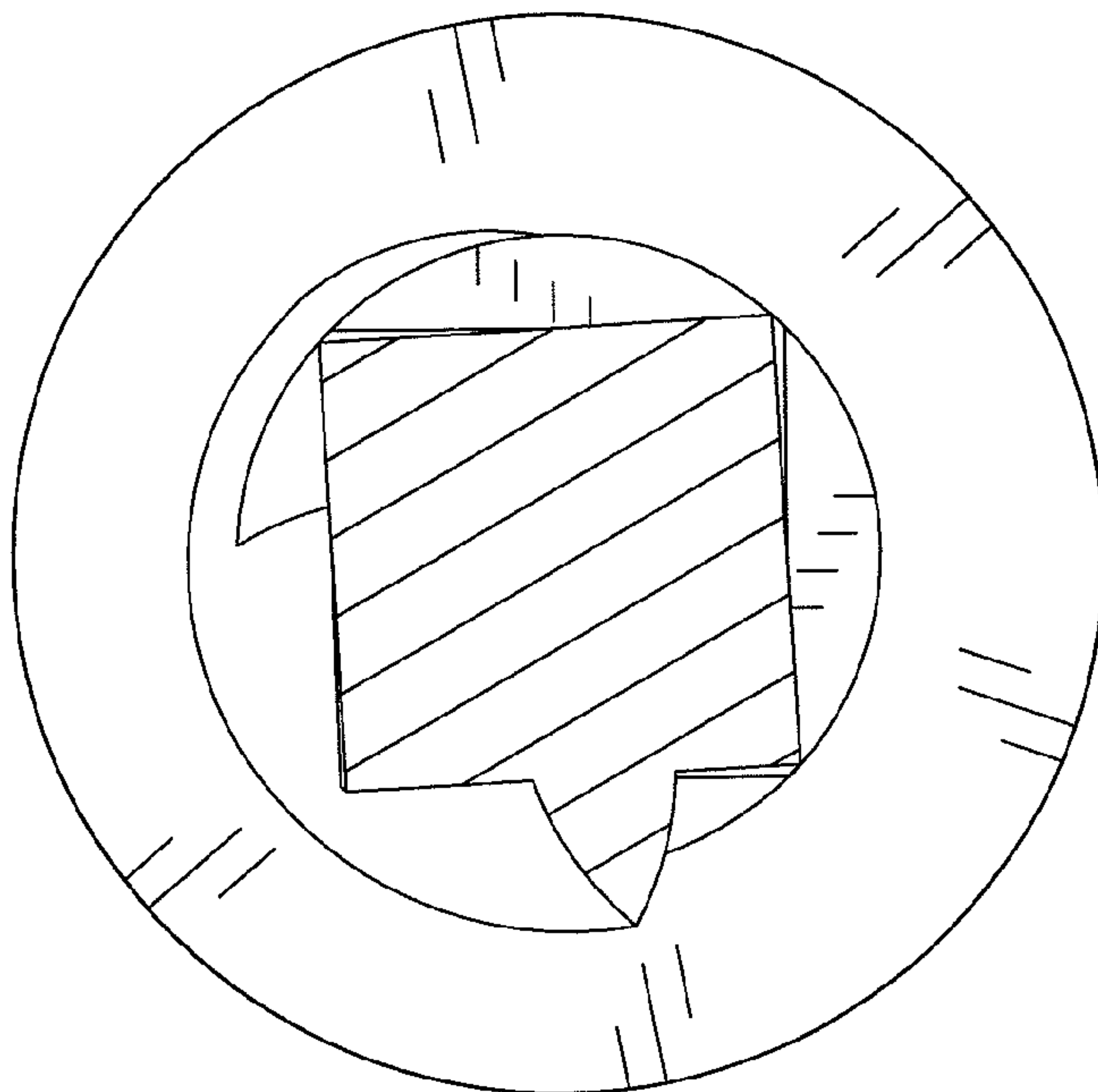


FIG. 11

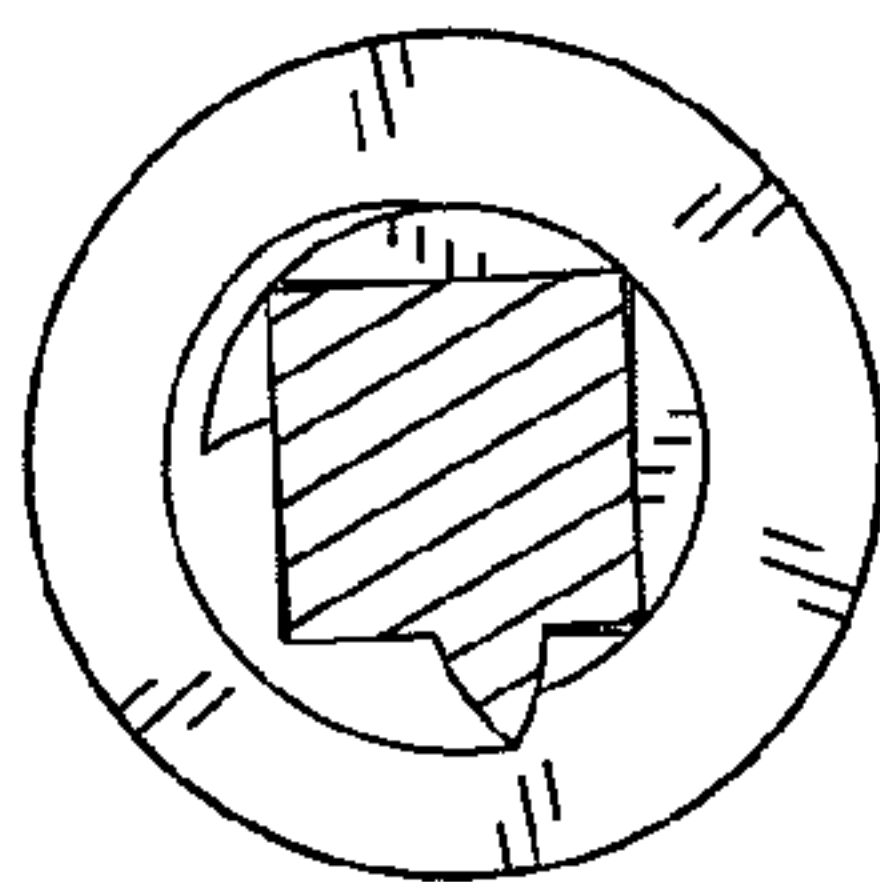


FIG. 10