



US00D696102S

(12) **United States Design Patent**  
**Livacich et al.**

(10) **Patent No.:** **US D696,102 S**  
(45) **Date of Patent:** **\*\* Dec. 24, 2013**

(54) **ROTARY TOOL SAFETY BOX AND END  
PIECE SET**

(75) Inventors: **John Livacich**, Sunnyvale, CA (US);  
**Kendyl A. Roman**, Sunnyvale, CA (US)

(73) Assignee: **Evrio, Inc.**, Santa Clara, CA (US)

(\*\*) Term: **14 Years**

(21) Appl. No.: **29/429,806**

(22) Filed: **Aug. 16, 2012**

**Related U.S. Application Data**

(63) Continuation-in-part of application No. 29/348,777,  
filed on Feb. 10, 2010, now Pat. No. Des. 668,129.

(51) **LOC (9) Cl.** ..... **08-05**

(52) **U.S. Cl.**  
USPC ..... **D8/354; D8/71**

(58) **Field of Classification Search**  
USPC ..... D8/71, 354, 394, 396, 499; 83/471  
See application file for complete search history.

(56) **References Cited**

**U.S. PATENT DOCUMENTS**

D296,546 S \* 7/1988 Sachs ..... D13/149  
D385,484 S \* 10/1997 Zito ..... D8/396

(Continued)

*Primary Examiner* — Mark Goodwin

(57) **CLAIM**

We claim the ornamental design for a rotary tool safety box  
and end piece set, as shown and described.

**DESCRIPTION**

FIG. 1 is a perspective view of a rotary tool safety box and end  
piece set showing our new design;

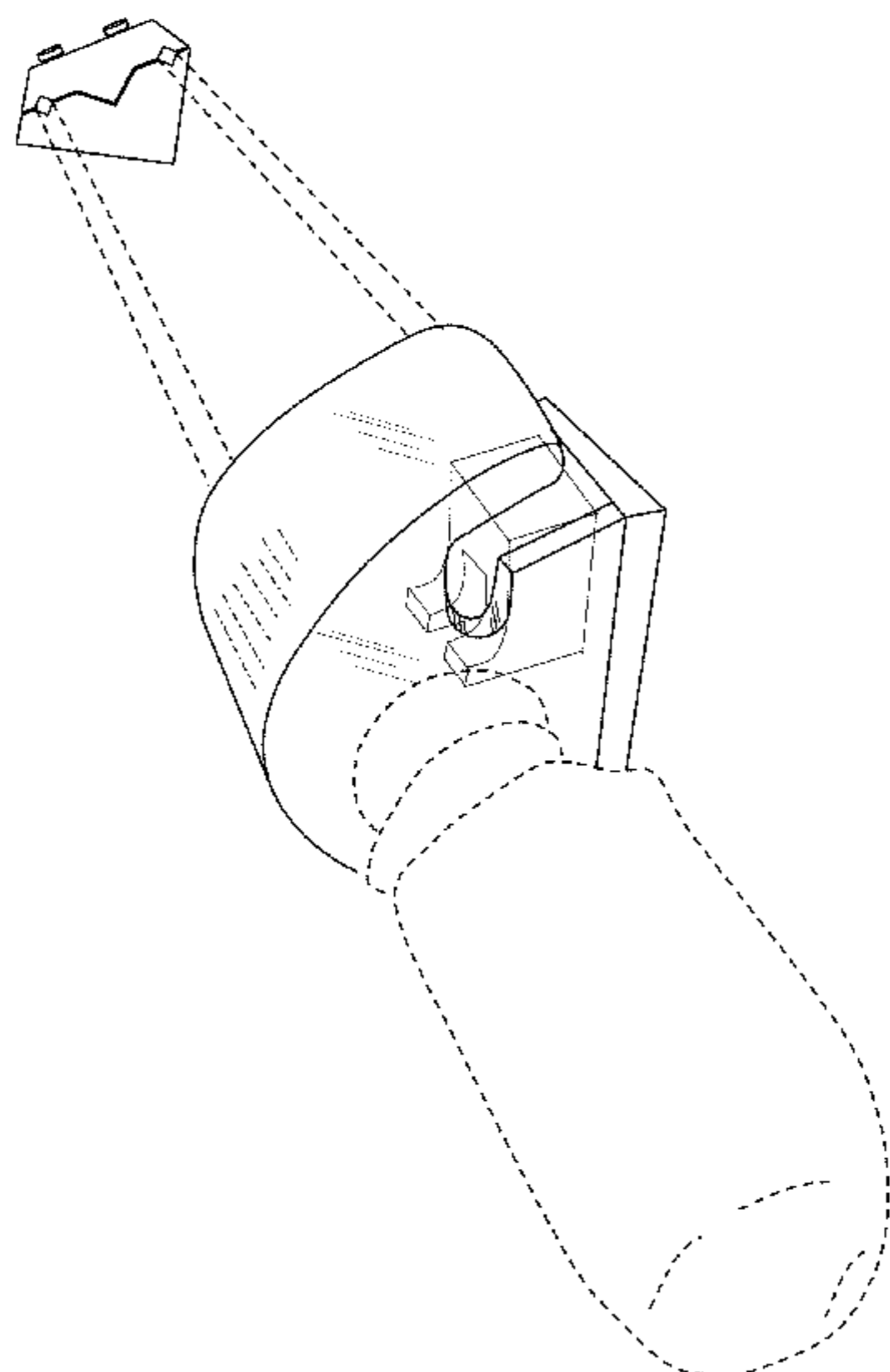


FIG. 2 is a left perspective view of the rotary tool safety box,  
shown in two pieces;

FIG. 3 is a front view thereof, shown in two pieces;

FIG. 4 is a back view thereof, shown in two pieces;

FIG. 5 is a right view thereof, shown in two pieces;

FIG. 6 is a left view thereof, shown in two pieces;

FIG. 7 is a top view thereof, shown in two pieces;

FIG. 8 is a bottom view thereof, shown in two pieces;

FIG. 9 is a right perspective view of the rotary tool safety box,  
shown in two pieces;

FIG. 10 is a perspective view of the end piece, shown in two  
pieces;

FIG. 11 is a front view thereof, shown in two pieces;

FIG. 12 is a back view thereof, shown in two pieces;

FIG. 13 is a right view thereof, shown in two pieces;

FIG. 14 is a left view thereof, shown in two pieces;

FIG. 15 is a top view thereof, shown in two pieces; and,

FIG. 16 is a bottom view thereof, shown in two pieces.

Our rotary tool safety box and end piece set is characterized  
by:

a) a safety box (FIGS. 2-9) with generally rounded top form-  
ing a transparent shield and a flat bottom and two sides, a left  
side adapted to mate with a rotary tool, a right side having  
bolts to mate with optional extension shafts, and an option for  
connecting a vacuum,

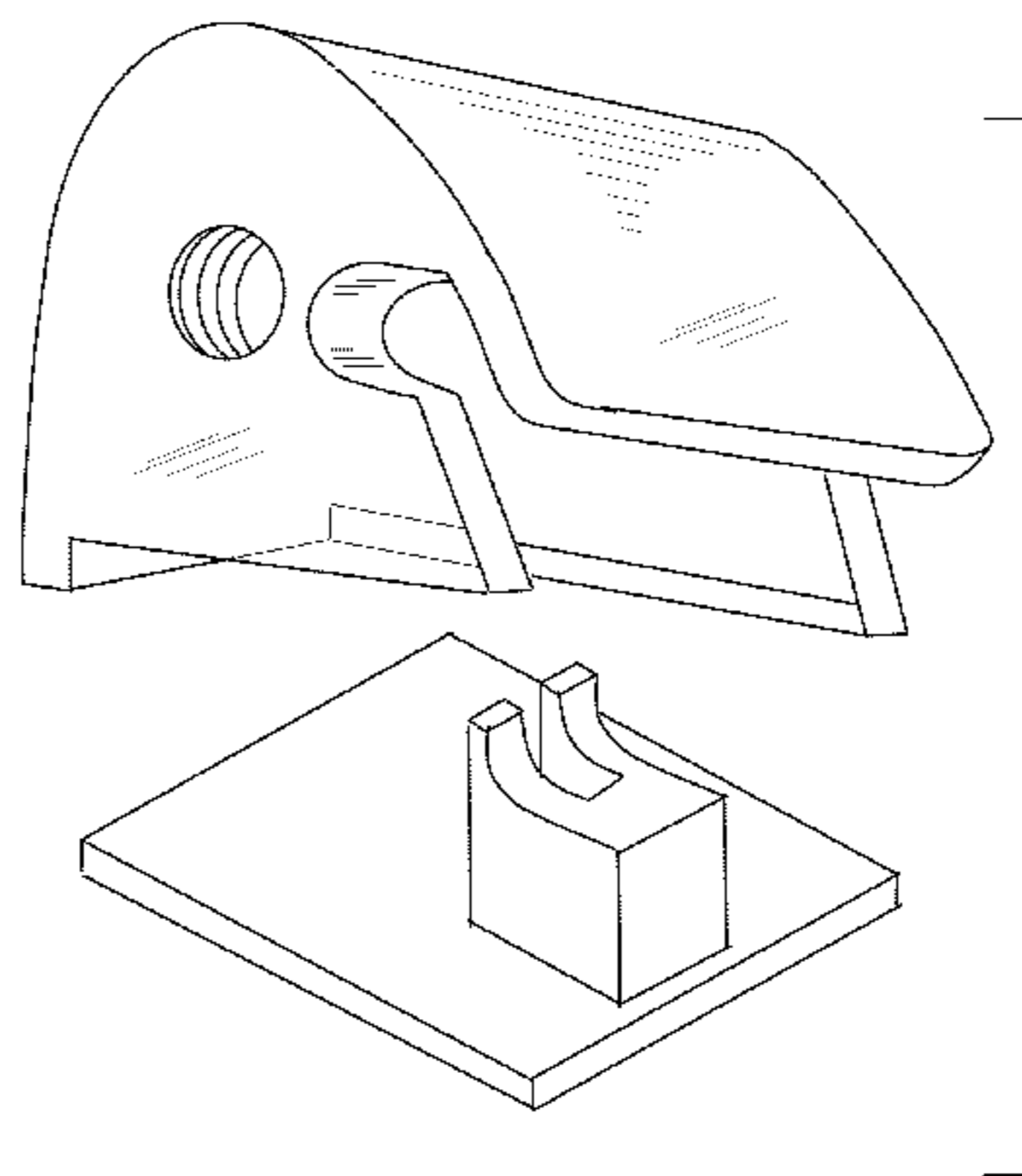
i) a cutting table formed in the bottom of the safety box,

ii) access cutouts on the two sides, and

b) an optional end piece (FIGS. 10-16), comprising a end  
piece bottom and an end piece top, which may be held  
together with bolts to clamp said extension shafts, said exten-  
sion shafts optionally attached to the safety box bolts, having  
a slot or conical impression in the end piece top to selectively  
engage an end of an article being worked on.

The broken line showing in FIG. 1 is included for the purpose  
of illustrating environmental structure only and forms no part  
of the claimed design.

**1 Claim, 12 Drawing Sheets**



# US D696,102 S

Page 2

---

(56)

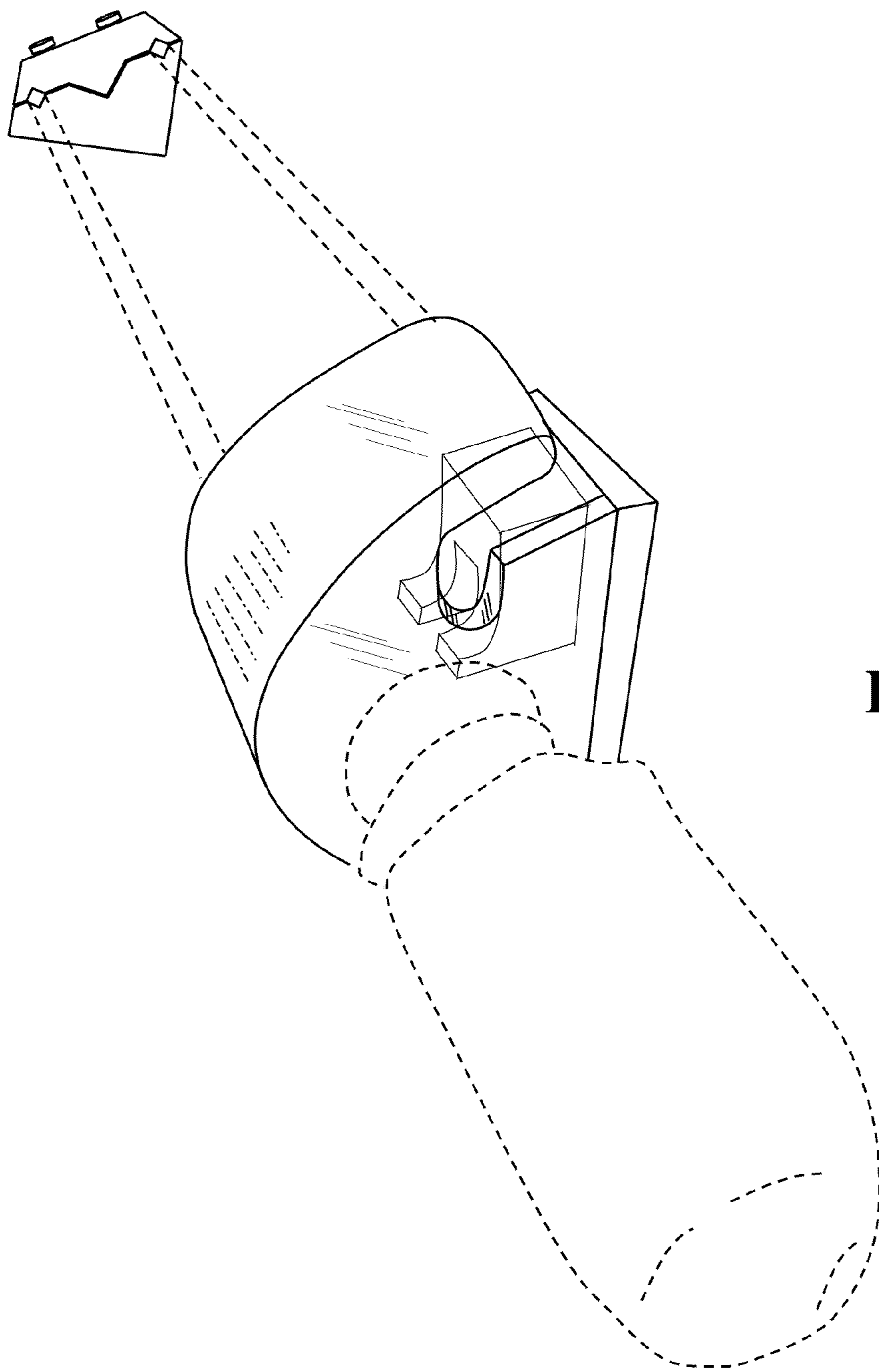
## References Cited

### U.S. PATENT DOCUMENTS

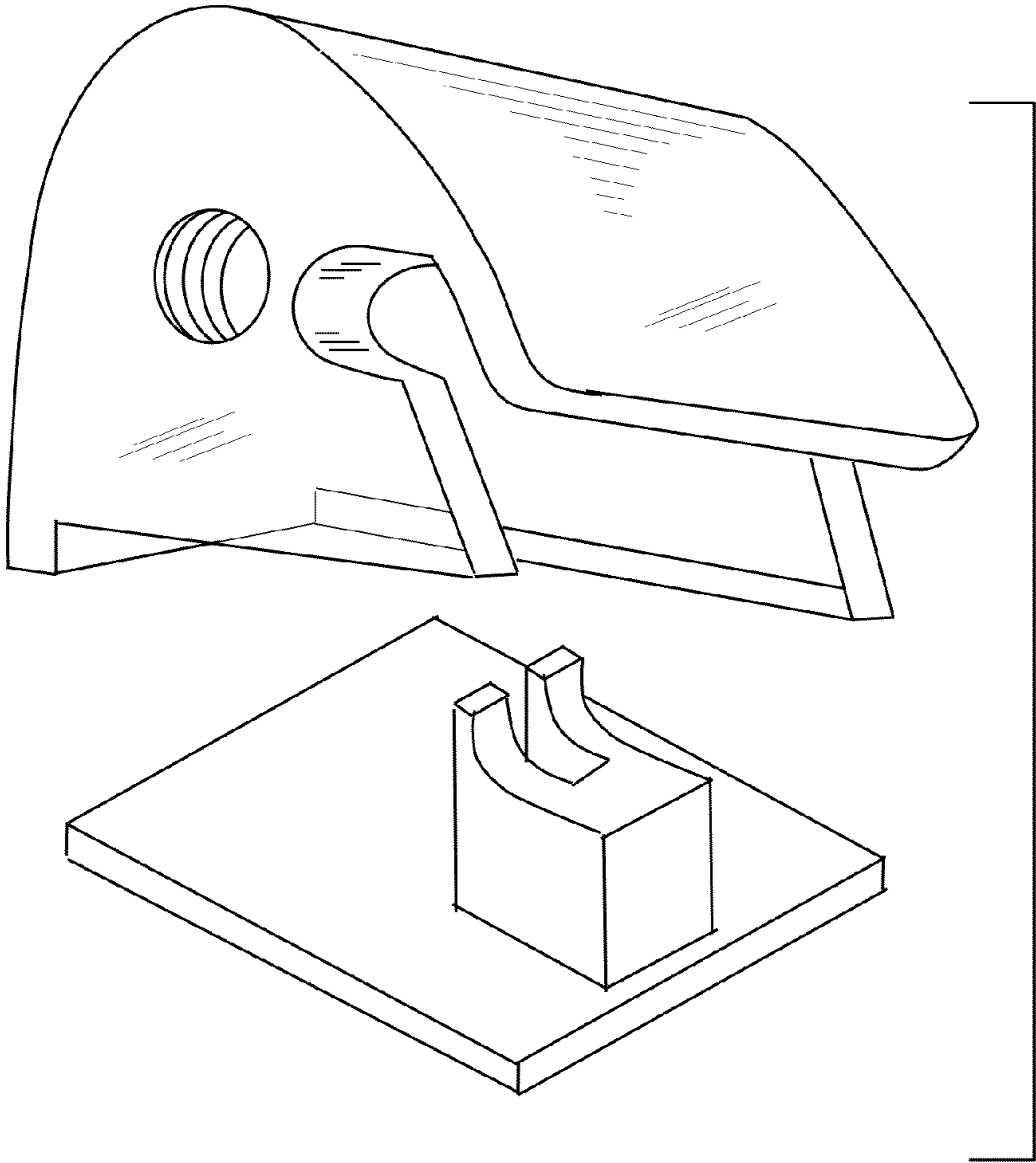
D421,564 S \* 3/2000 Fortune ..... D8/394  
D486,791 S \* 2/2004 Franks, Jr. .... D13/133  
D547,637 S \* 7/2007 Blacker ..... D8/354

D590,697 S \* 4/2009 Townley ..... D8/354  
D614,477 S \* 4/2010 Edwards ..... D8/354  
2009/0223338 A1 \* 9/2009 Liao ..... 83/471  
2011/0192264 A1 \* 8/2011 Livacich et al. .... 83/471

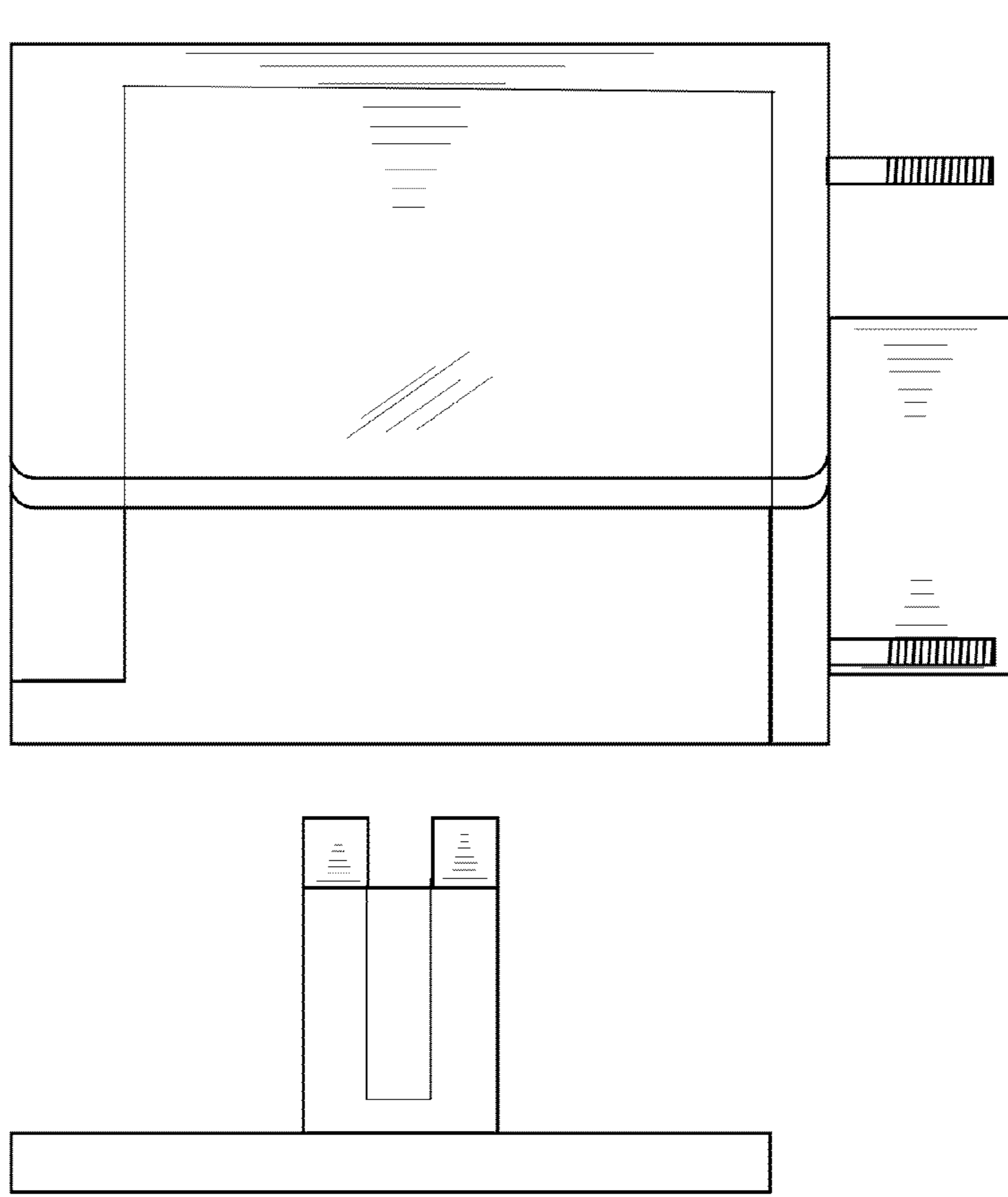
\* cited by examiner



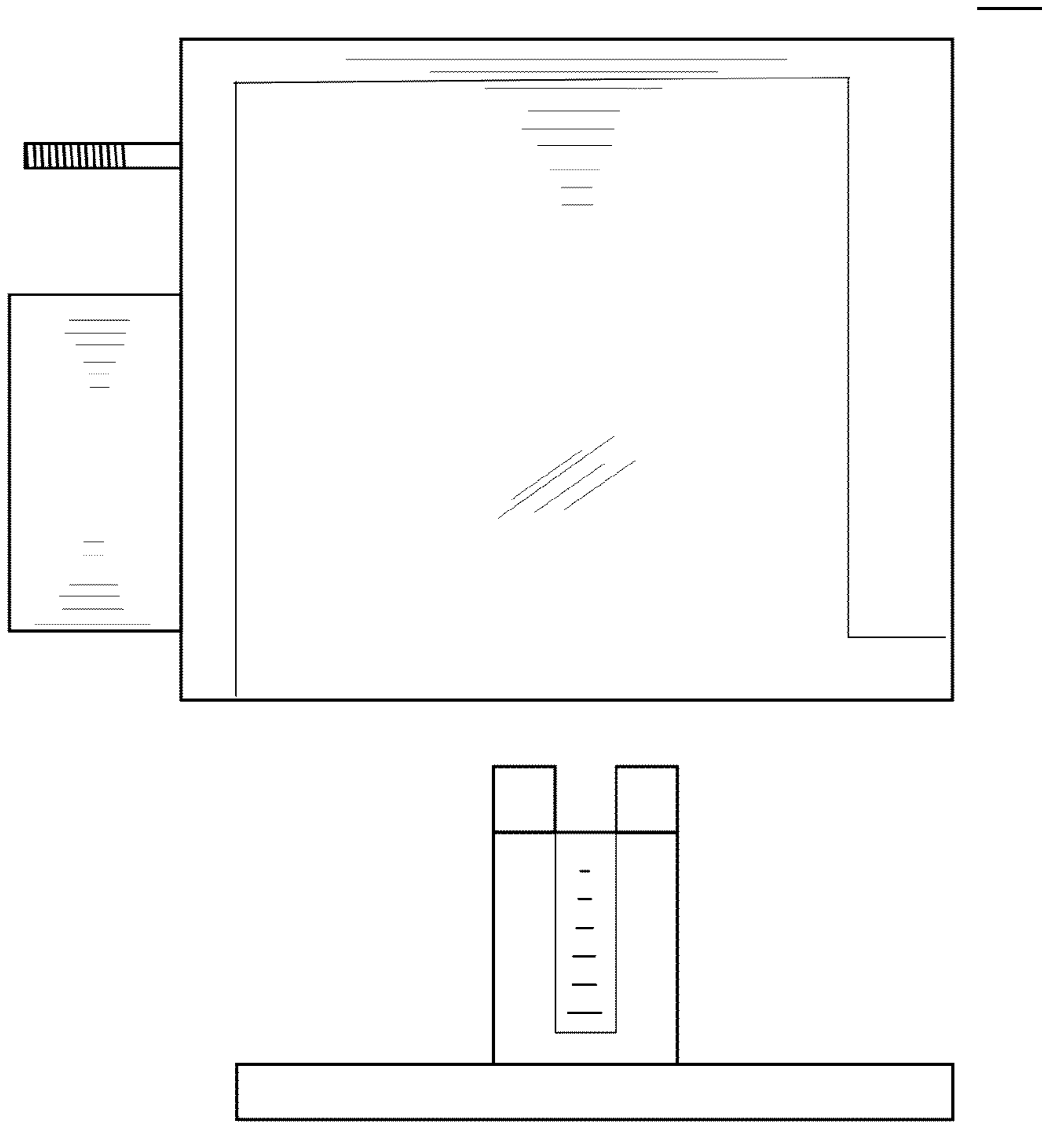
**Fig. 1**



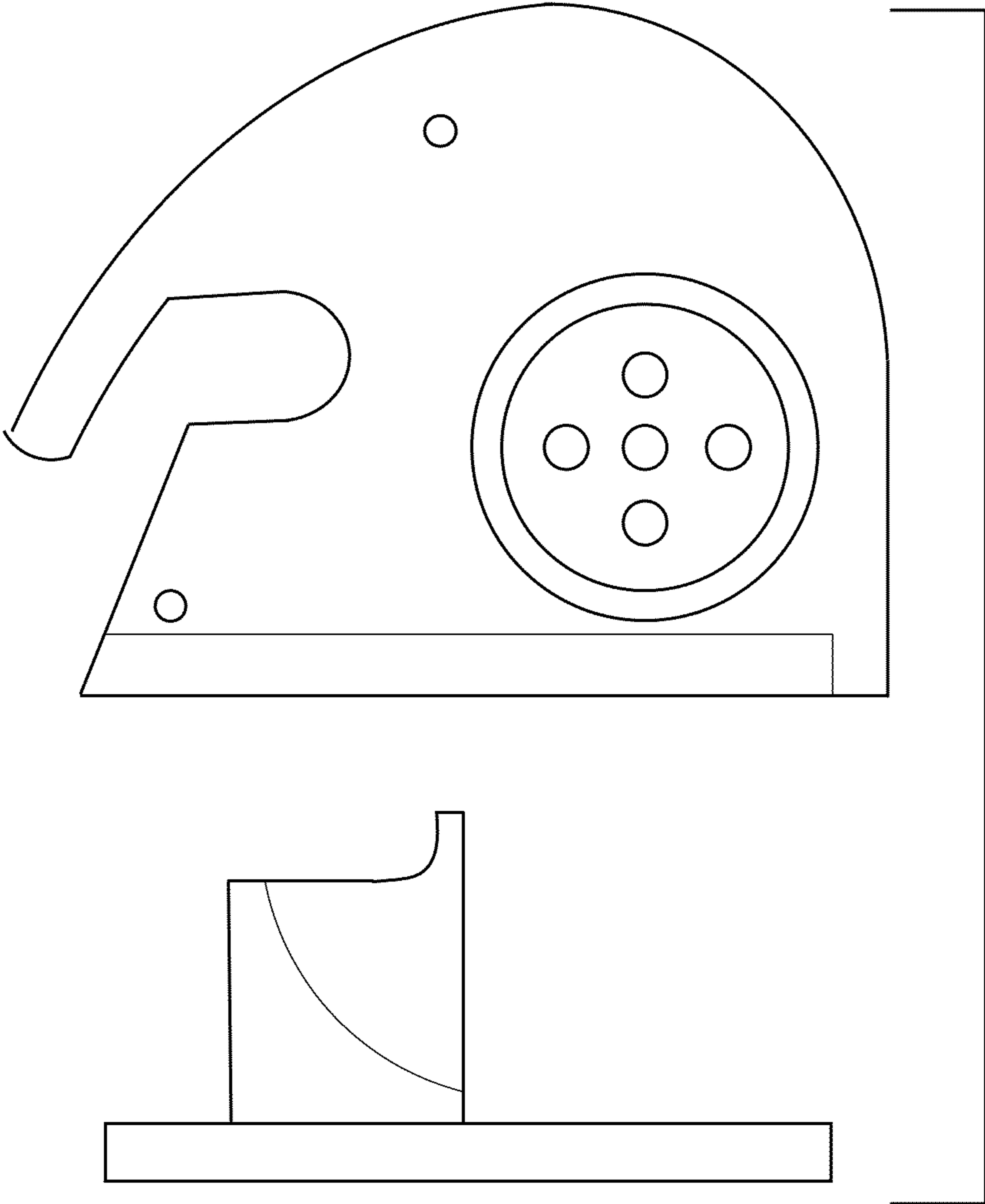
**Fig. 2**



**Fig. 3**

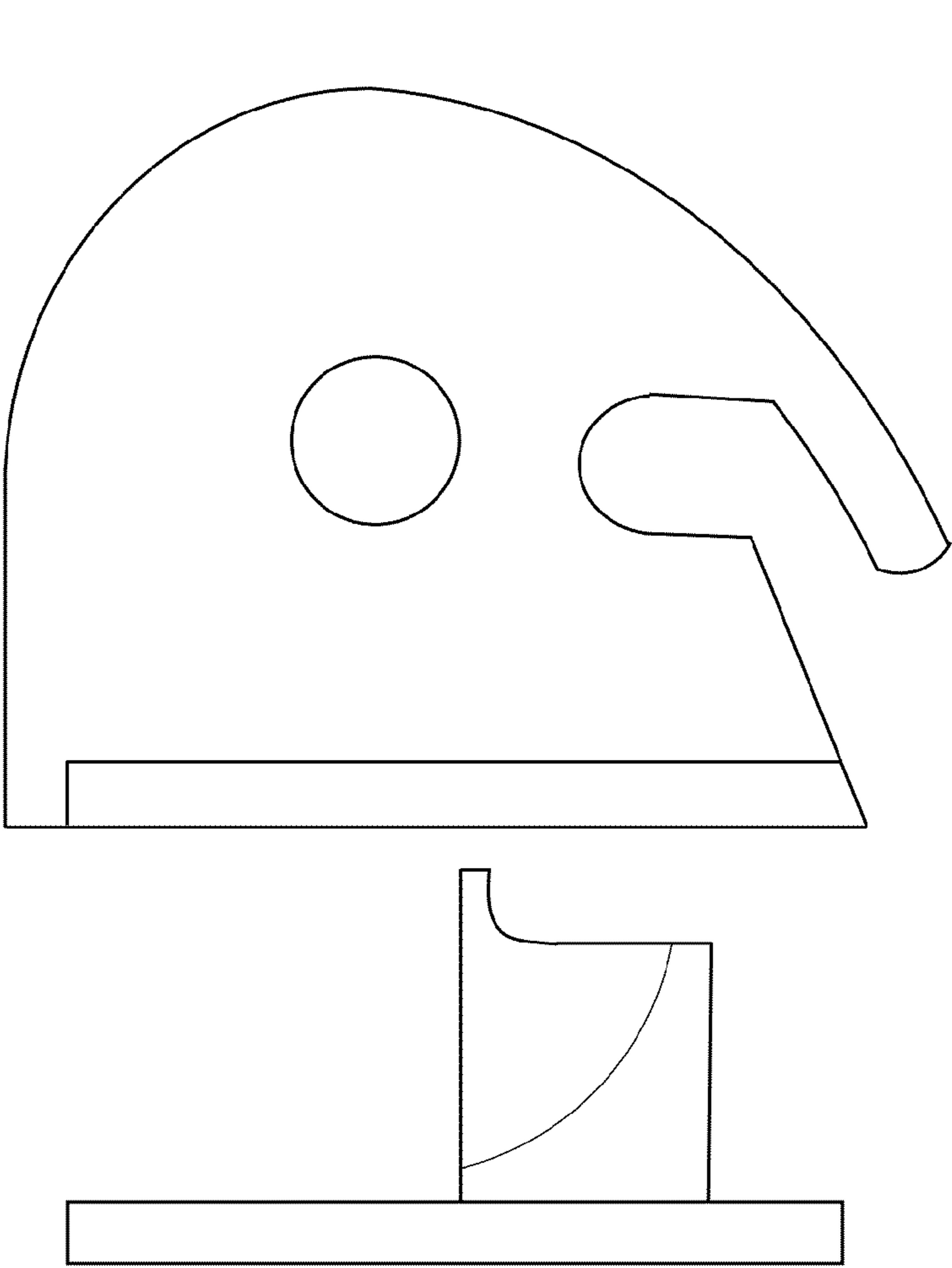


**Fig. 4**



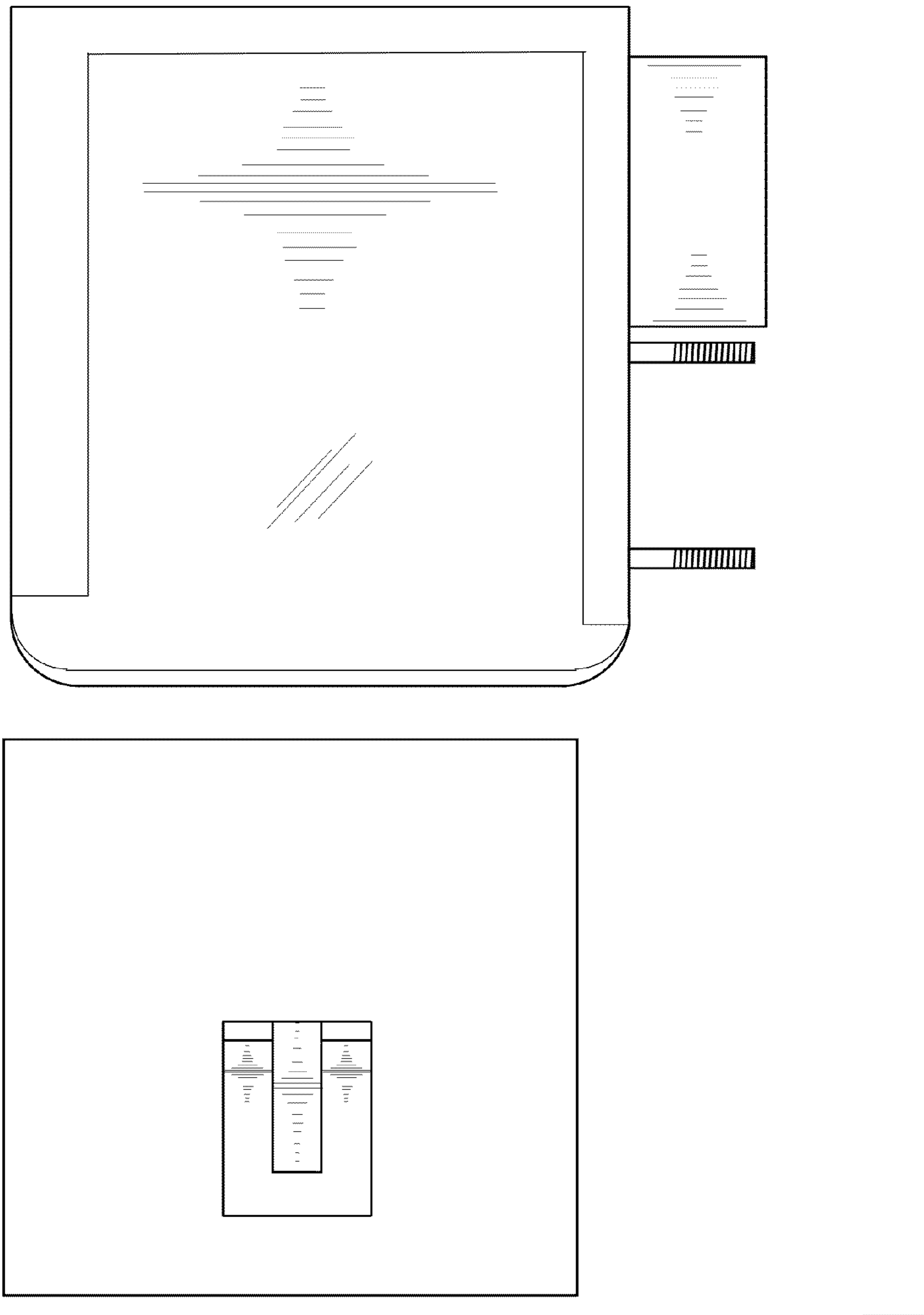
**Fig. 5**





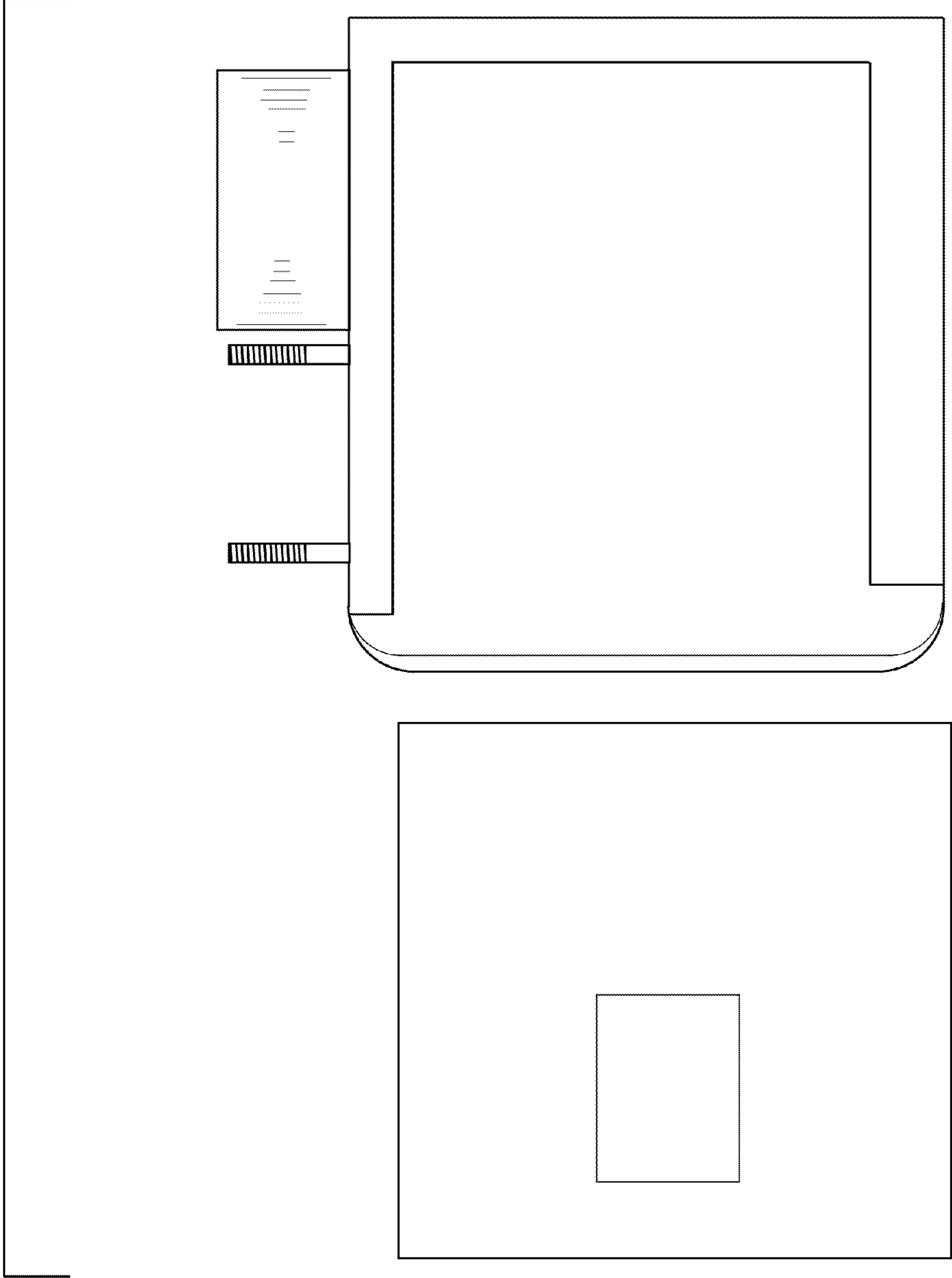
**Fig. 6**

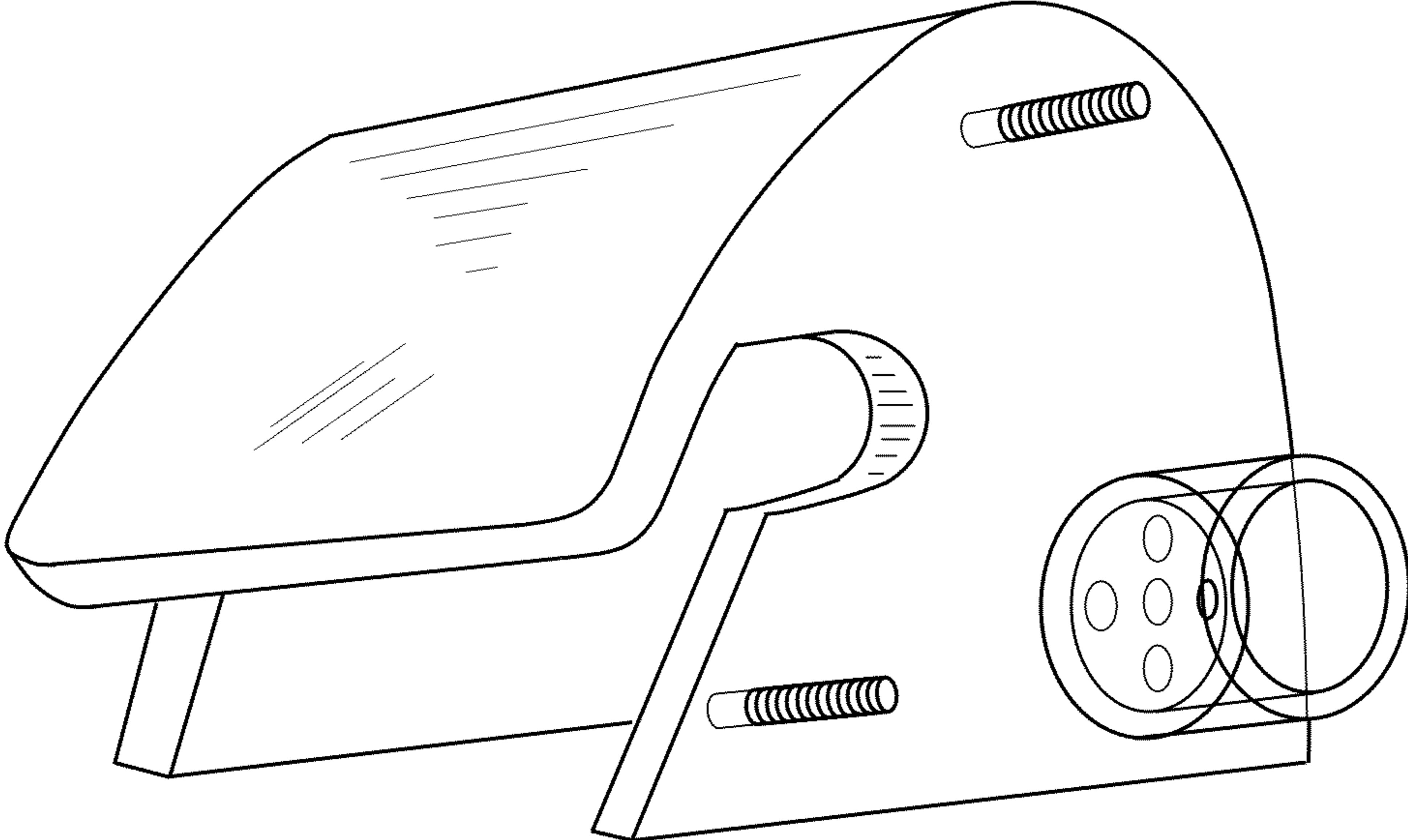




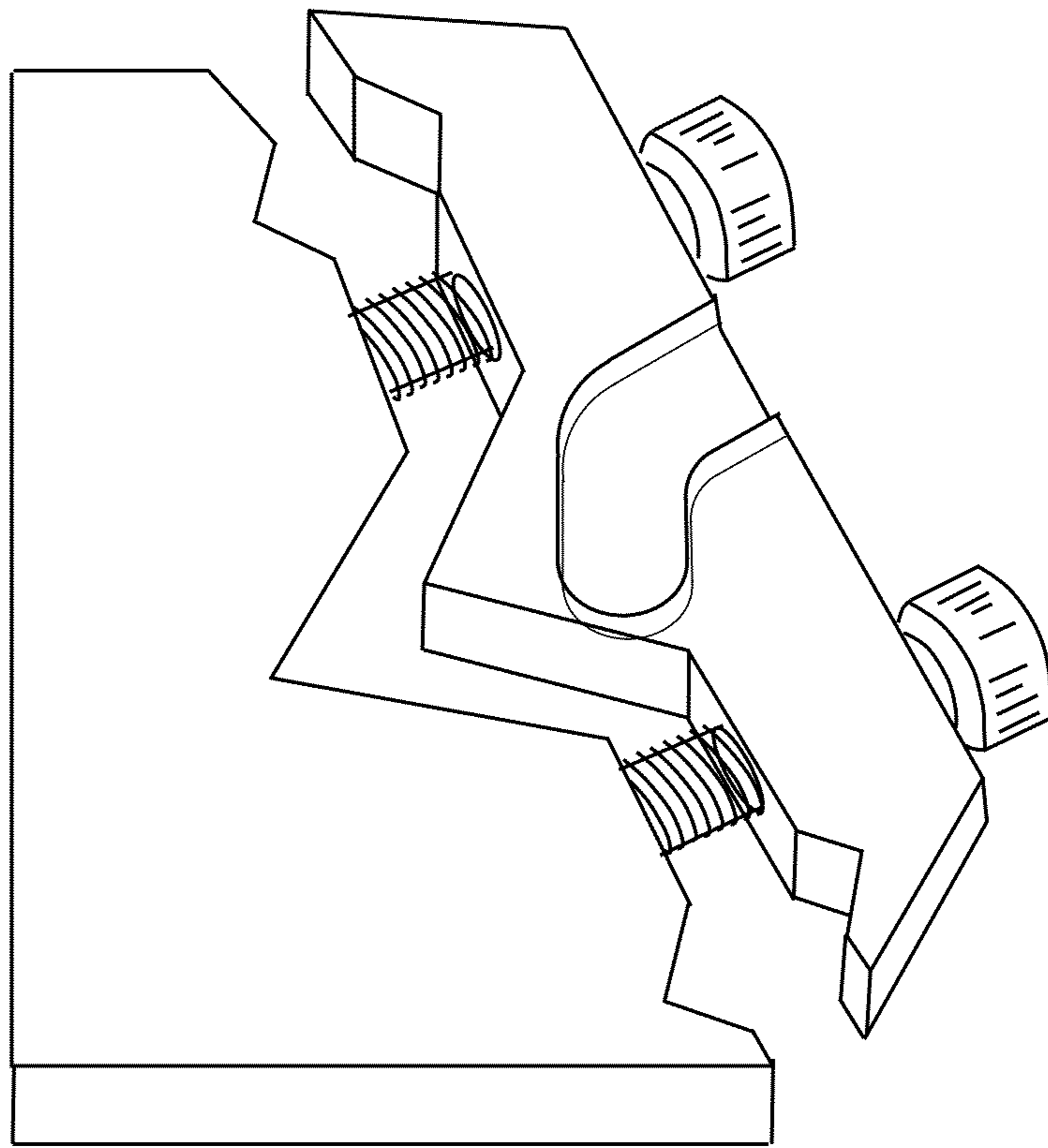
**Fig. 7**

**Fig. 8**

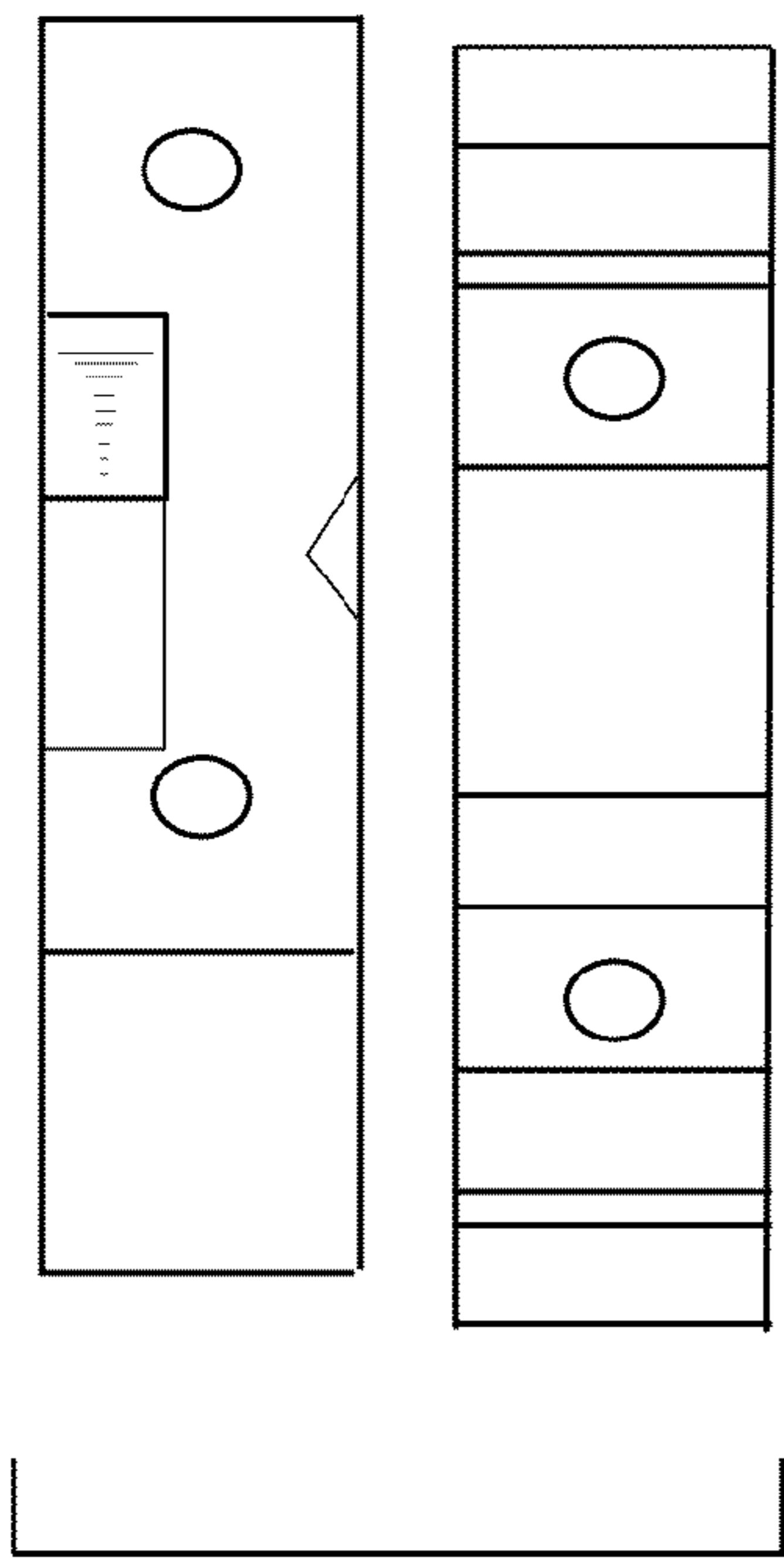




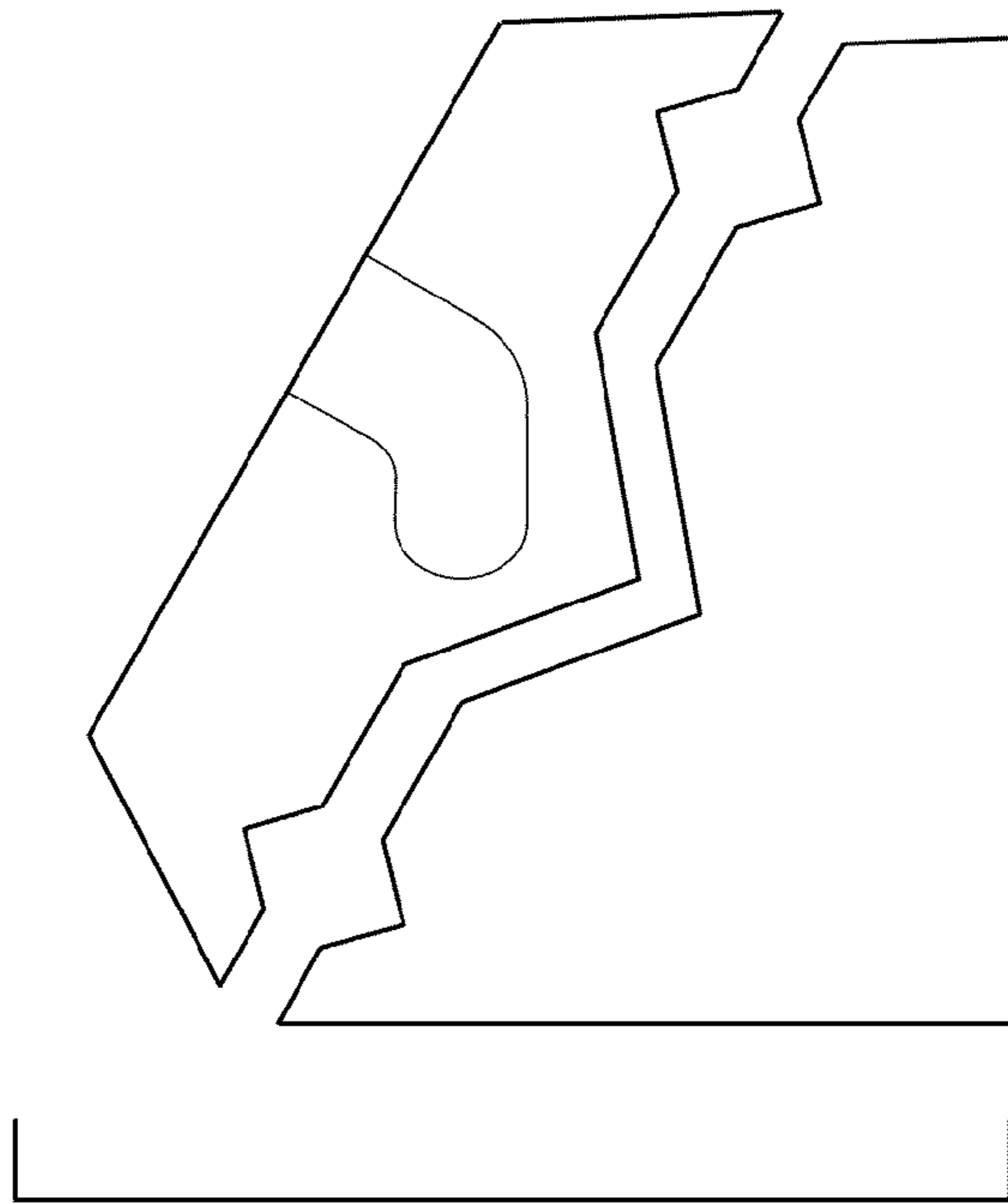
**Fig. 9**



**Fig. 10**

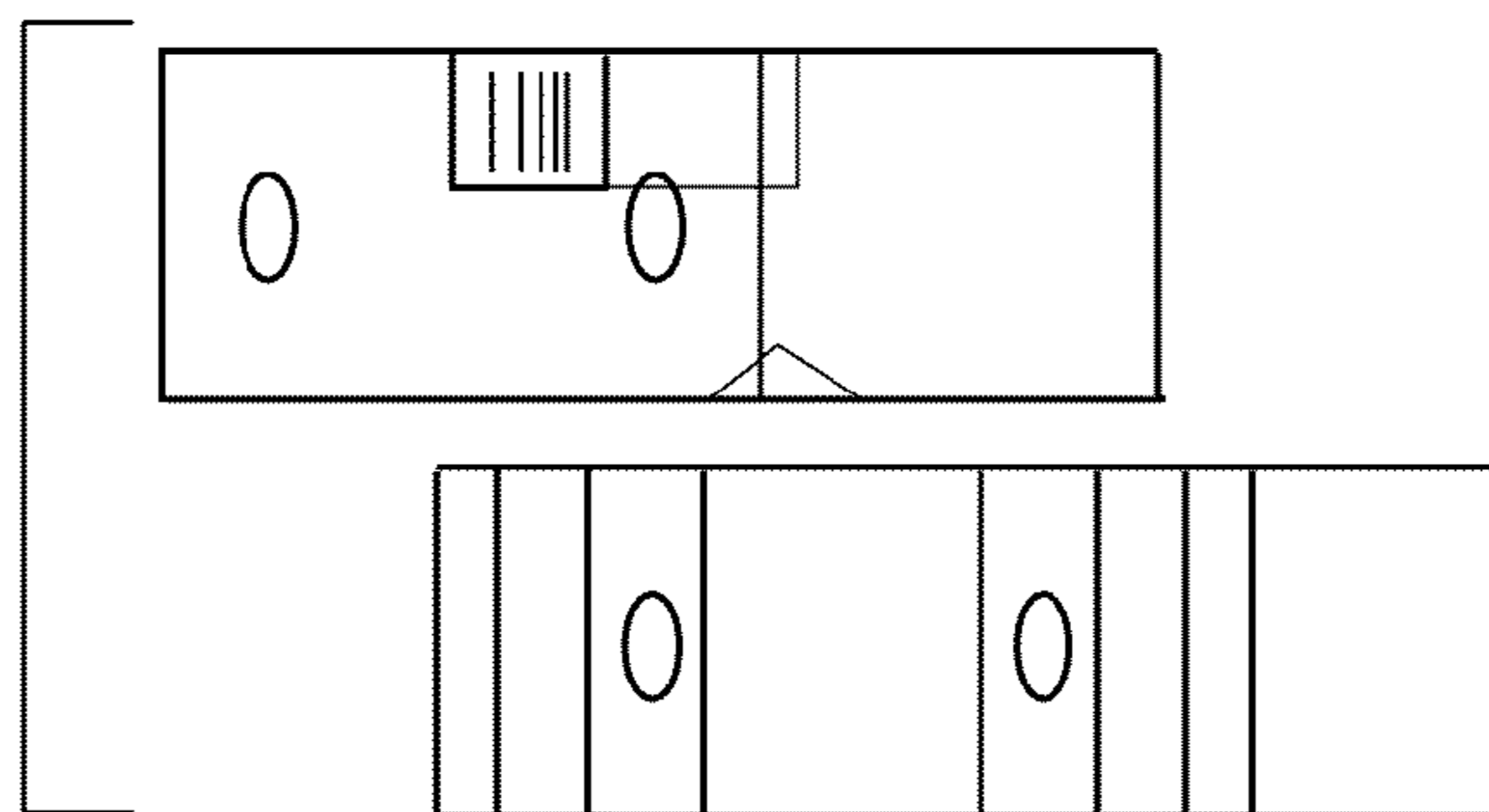


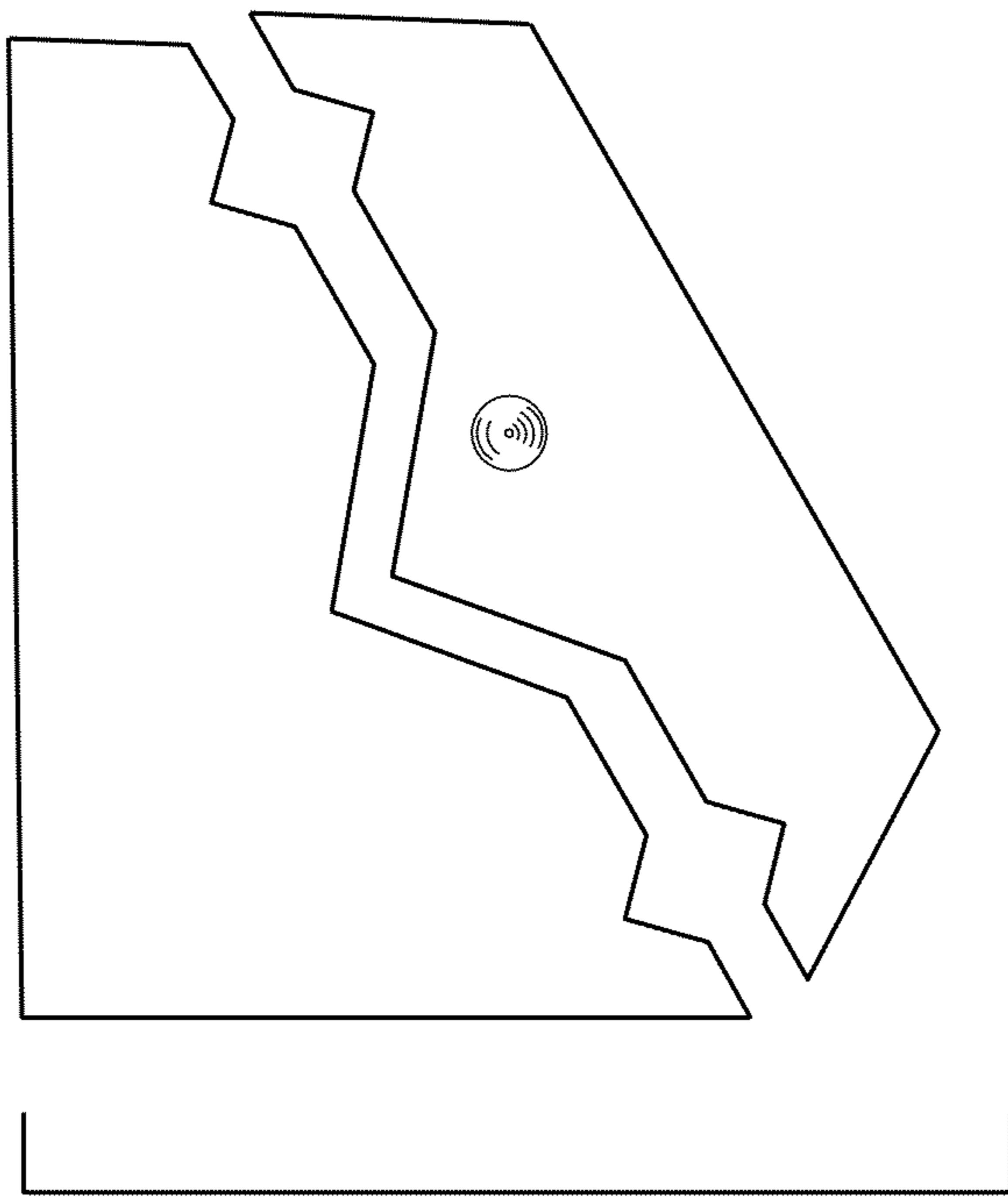
**Fig. 11**



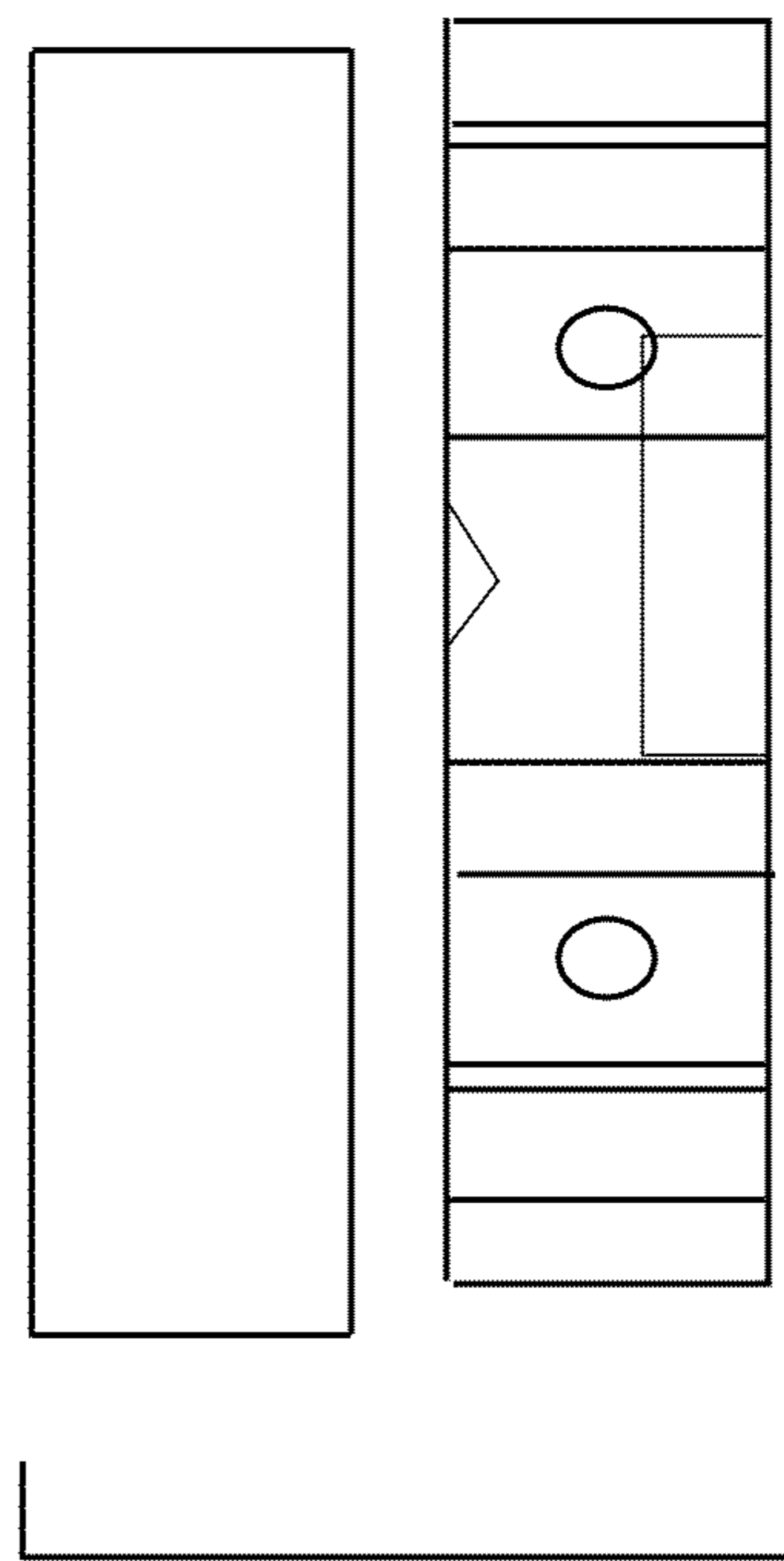
**Fig. 13**

**Fig. 15**

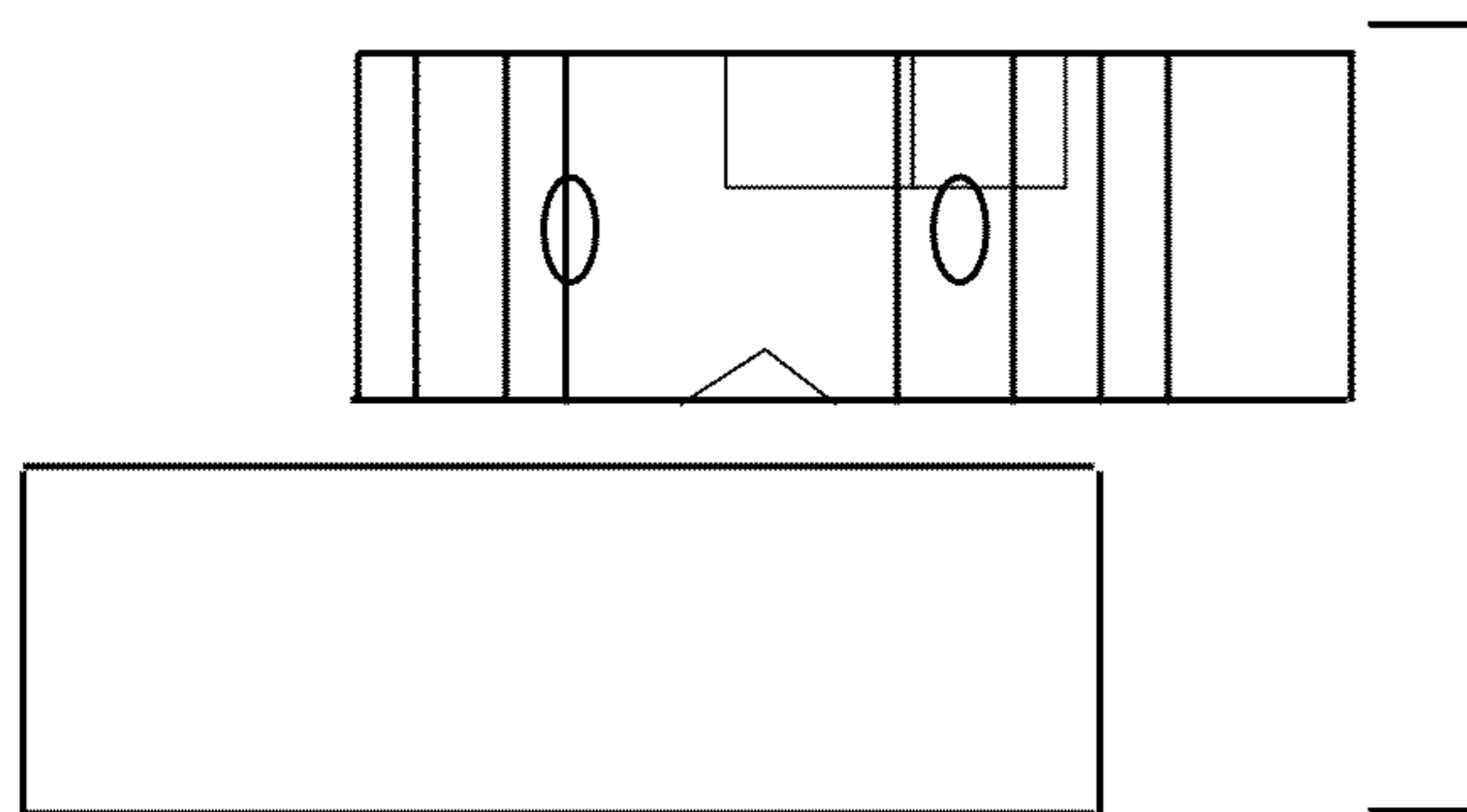




**Fig. 14**



**Fig. 12**



**Fig. 16**