



US00D696099S

(12) **United States Design Patent**  
**Wada et al.**

(10) **Patent No.:** **US D696,099 S**  
(45) **Date of Patent:** **\*\* Dec. 24, 2013**

(54) **SPACER WITH BRACKET**

(75) Inventors: **Makoto Wada**, Tsukubamirai (JP); **Koji Katsuta**, Tsukubamirai (JP)

(73) Assignee: **SMC Corporation**, Chiyoda-ku, Tokyo (JP)

(\*\*) Term: **14 Years**

(21) Appl. No.: **29/396,127**

(22) Filed: **Jun. 27, 2011**

(30) **Foreign Application Priority Data**

Apr. 6, 2011 (JP) ..... 2011-007963

(51) **LOC (9) Cl.** ..... **08-05**

(52) **U.S. Cl.**  
USPC ..... **D8/354**

(58) **Field of Classification Search**

USPC ..... D8/354, 349, 355, 356, 363, 364, 373,  
D8/380, 382, 396, 499; D13/133;  
D23/259-269, 235, 249; 285/125.1,  
285/24, 364, 334.1, 83, 275, 277, 61, 325,  
285/421; 137/614.04, 149.6; 248/317, 300,  
248/200, 205.1, 207, 220.21, 226.11, 309.1,  
248/351, 682; 184/55.2

See application file for complete search history.

(56) **References Cited**

U.S. PATENT DOCUMENTS

4,070,045 A \* 1/1978 Colter et al. .... 285/325  
4,289,335 A \* 9/1981 Olbermann ..... 285/91  
4,352,511 A \* 10/1982 Ribble et al. .... 285/91  
D269,851 S \* 7/1983 Kimura ..... D8/356  
4,533,020 A \* 8/1985 Yamazaki ..... 184/55.2  
D294,457 S \* 3/1988 Doty et al. .... D8/373  
5,372,392 A \* 12/1994 Dunn et al. .... 285/334.1  
D392,544 S \* 3/1998 Nakamura ..... D8/354  
D392,545 S \* 3/1998 Nakamura ..... D8/354

D404,996 S \* 2/1999 Ross ..... D8/382  
6,039,360 A \* 3/2000 Ohmi et al. .... 285/61  
D423,920 S \* 5/2000 Lodi ..... D8/387  
D428,394 S \* 7/2000 Lodi ..... D13/199  
D430,999 S \* 9/2000 Lodi ..... D8/354  
D439,641 S \* 3/2001 Dumas ..... D23/341  
D504,304 S \* 4/2005 Hancock ..... D8/354  
6,913,115 B2 \* 7/2005 Tomita et al. .... 184/55.2  
D525,181 S \* 7/2006 Horner ..... D12/180  
D531,890 S \* 11/2006 Bentrim ..... D8/382  
D548,571 S \* 8/2007 Bigelow et al. .... D8/349  
D556,342 S \* 11/2007 Walker ..... D25/38.1  
D556,343 S \* 11/2007 Walker ..... D25/38.1  
D562,119 S \* 2/2008 Prichard et al. .... D8/382  
D567,391 S \* 4/2008 Walker ..... D25/38.1  
D568,147 S \* 5/2008 Prichard et al. .... D8/382  
D576,932 S \* 9/2008 Strehler ..... D12/180  
D585,269 S \* 1/2009 Prichard et al. .... D8/382  
D615,847 S \* 5/2010 Tezak et al. .... D8/349  
D622,131 S \* 8/2010 Tezak et al. .... D8/349  
7,931,309 B2 \* 4/2011 Gebauer et al. .... 285/364  
8,061,385 B2 \* 11/2011 Kaitsuka ..... 137/614.01  
D669,346 S \* 10/2012 Jonsson et al. .... D8/396

\* cited by examiner

*Primary Examiner* — Mark Goodwin

(74) *Attorney, Agent, or Firm* — Yokoi & Co., U.S.A., Inc.;  
Toshiyuki Yokoi

(57) **CLAIM**

The ornamental design for a spacer with bracket, as shown and described.

**DESCRIPTION**

FIG. 1 is a front view of a spacer showing our new design;  
FIG. 2 is a rear view thereof;  
FIG. 3 is a right side view thereof;  
FIG. 4 is a left side view thereof;  
FIG. 5 is a top view thereof;  
FIG. 6 is a bottom view thereof;  
FIG. 7 is a top, front, left side perspective view thereof; and,  
FIG. 8 is a top, rear, right side perspective view thereof.

**1 Claim, 8 Drawing Sheets**

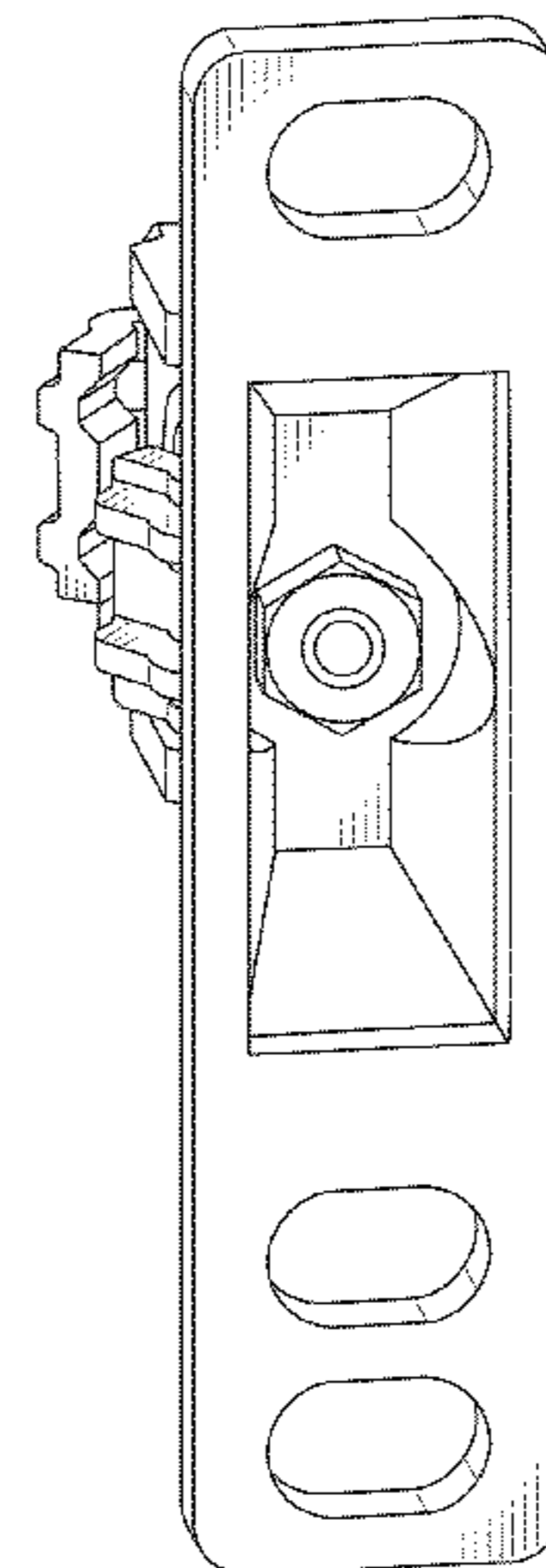
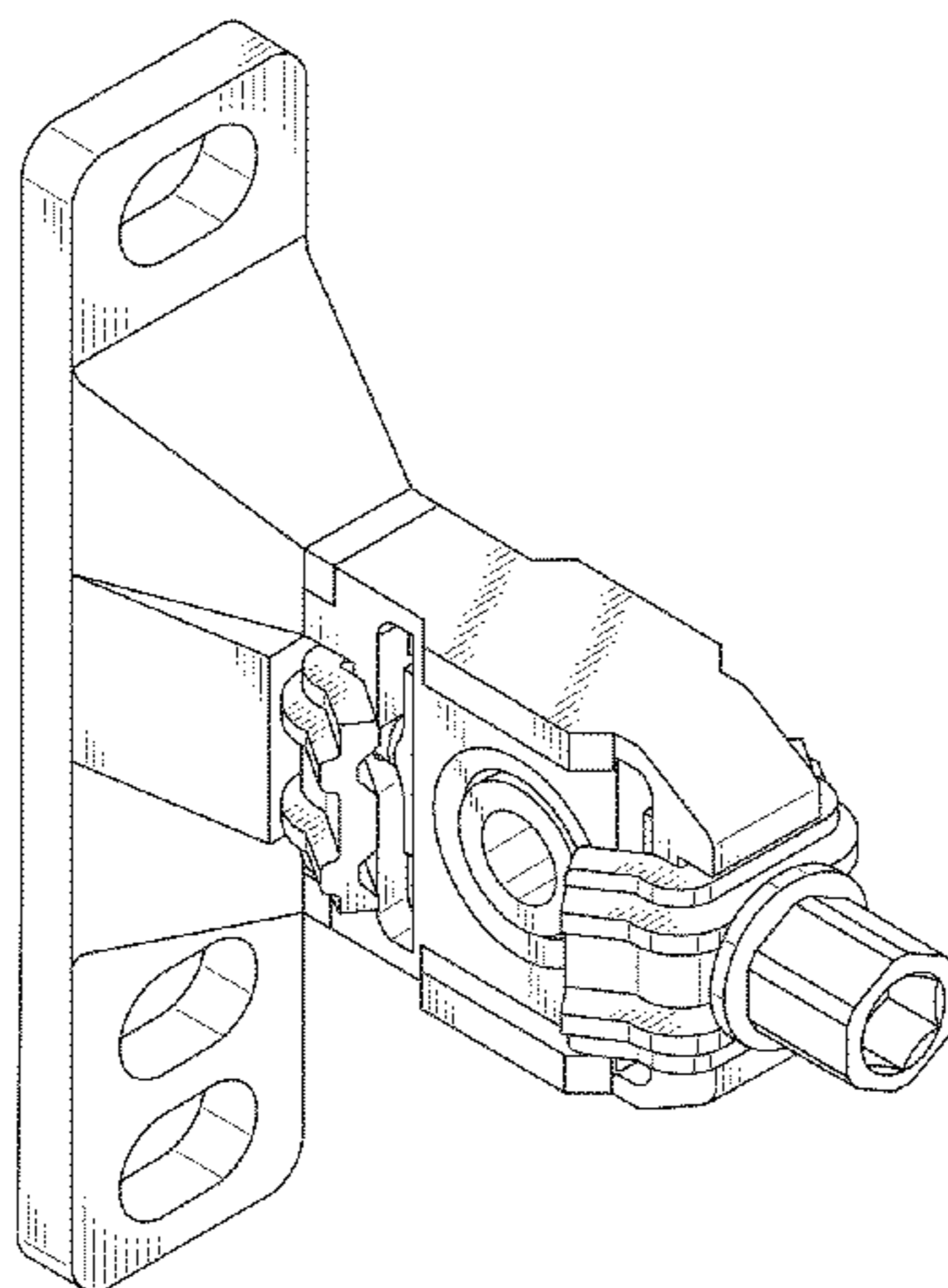


FIG. 1

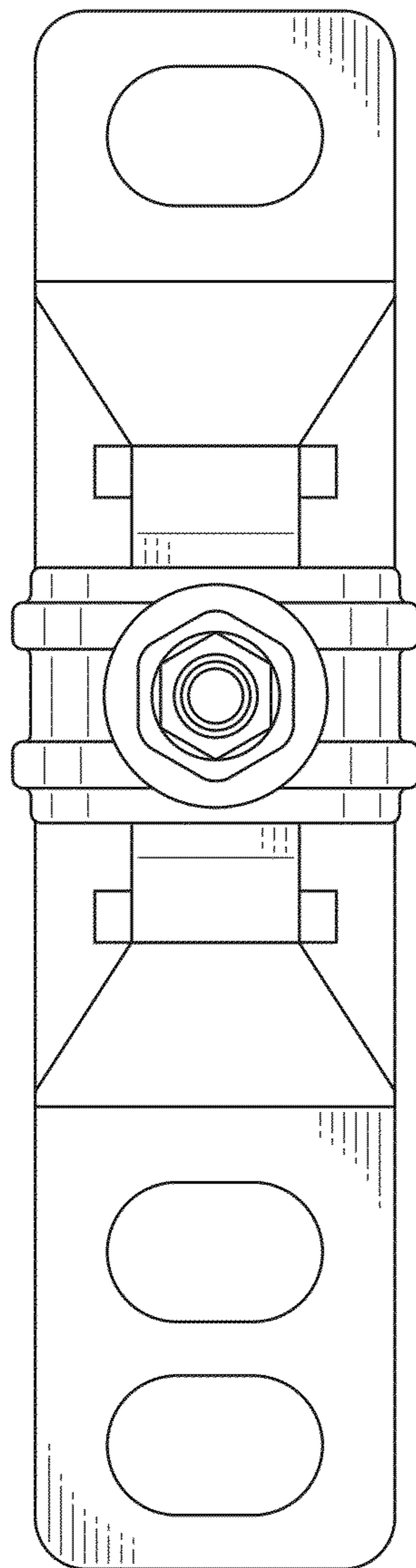


FIG. 2

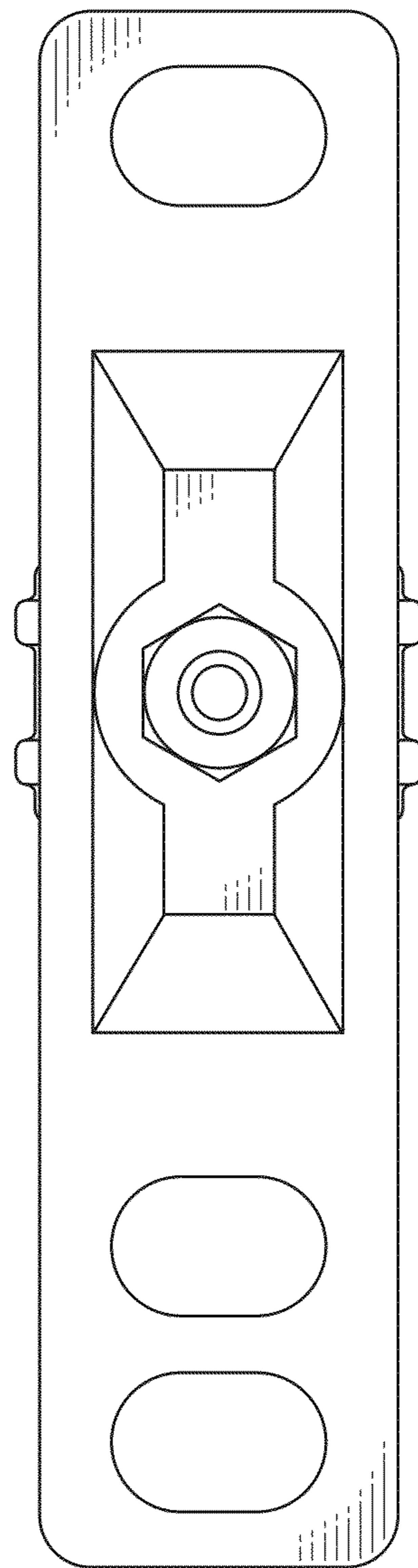


FIG. 3

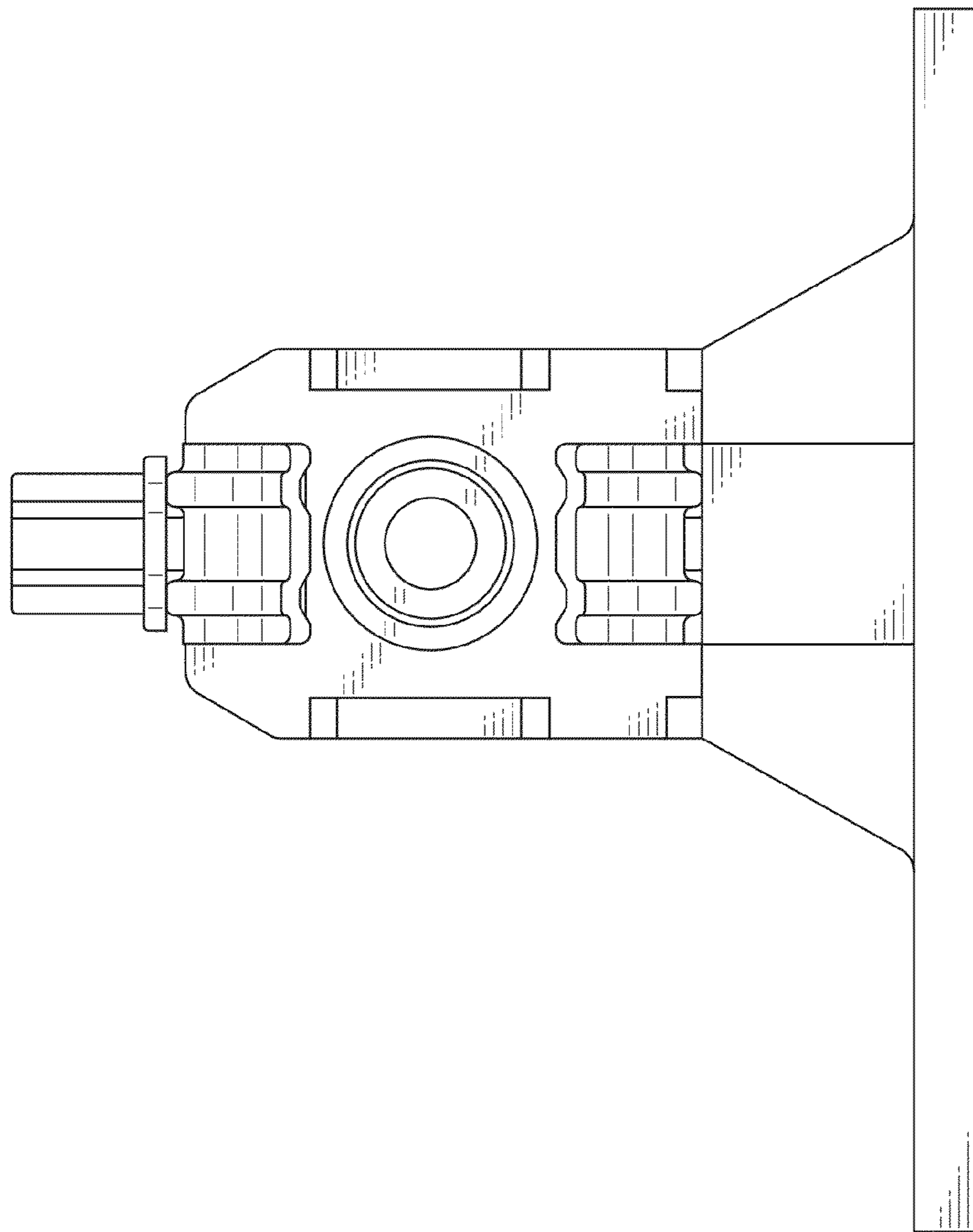


FIG. 4

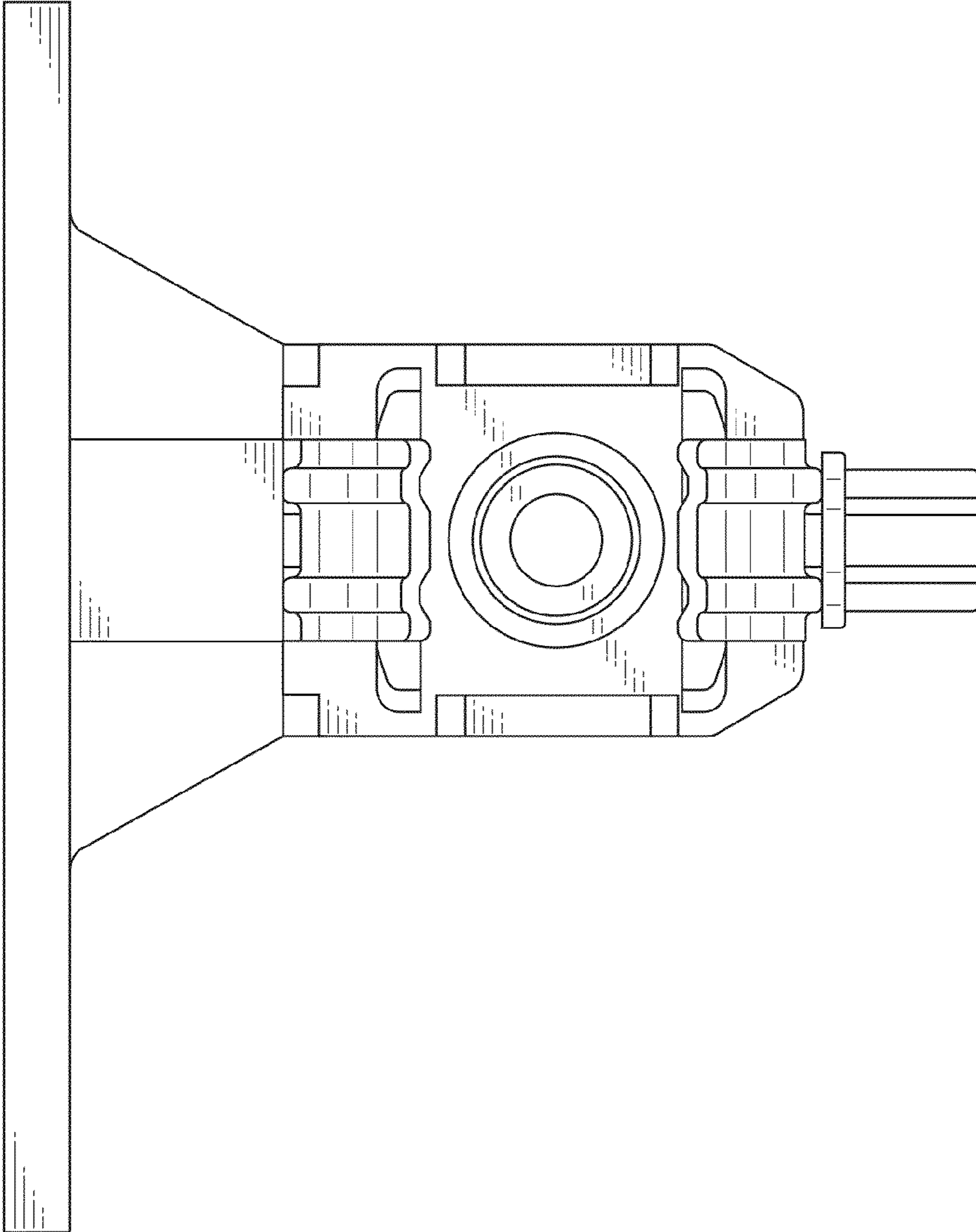




FIG. 5

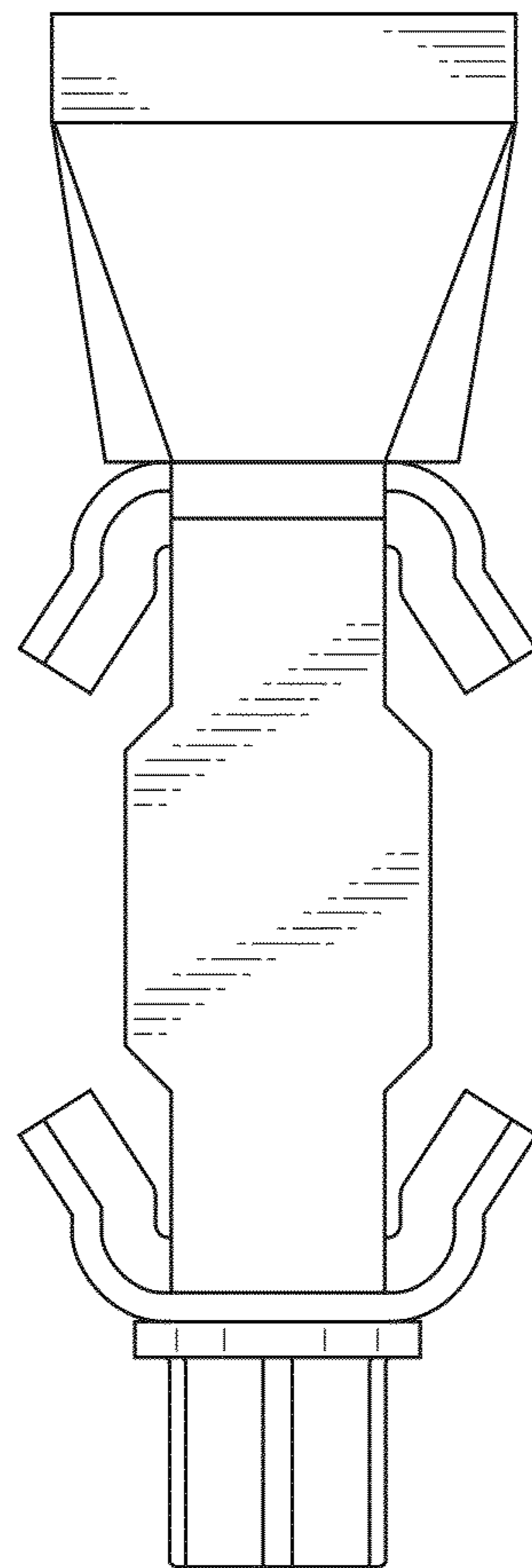


FIG. 6

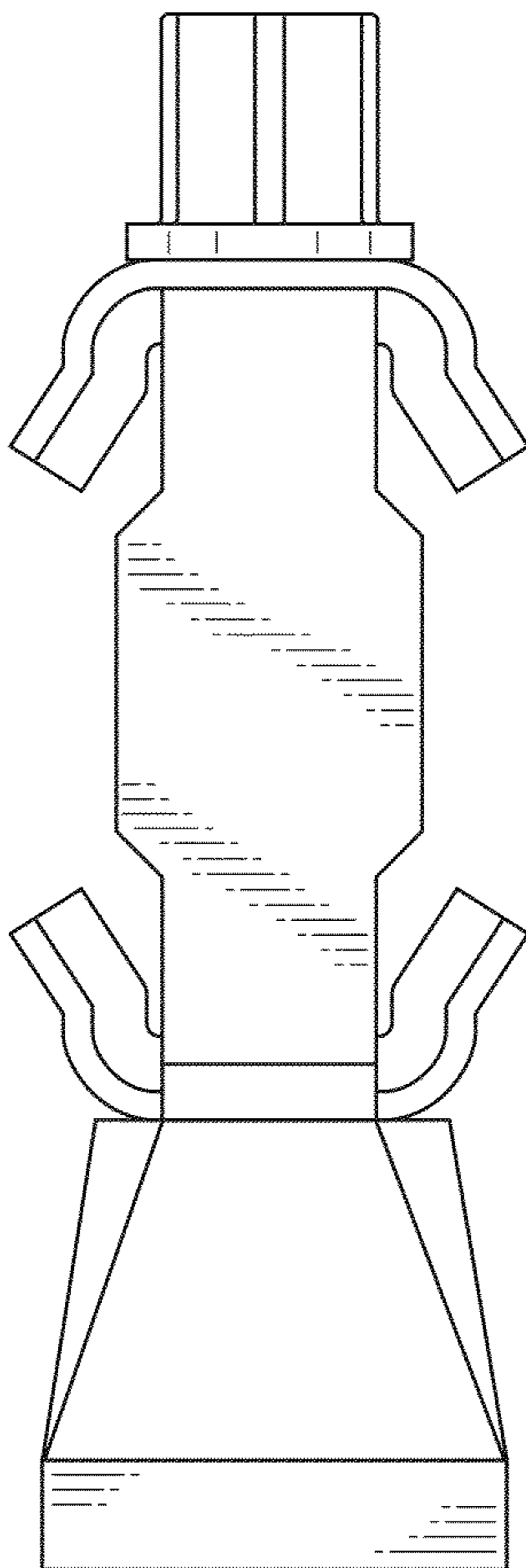


FIG. 7

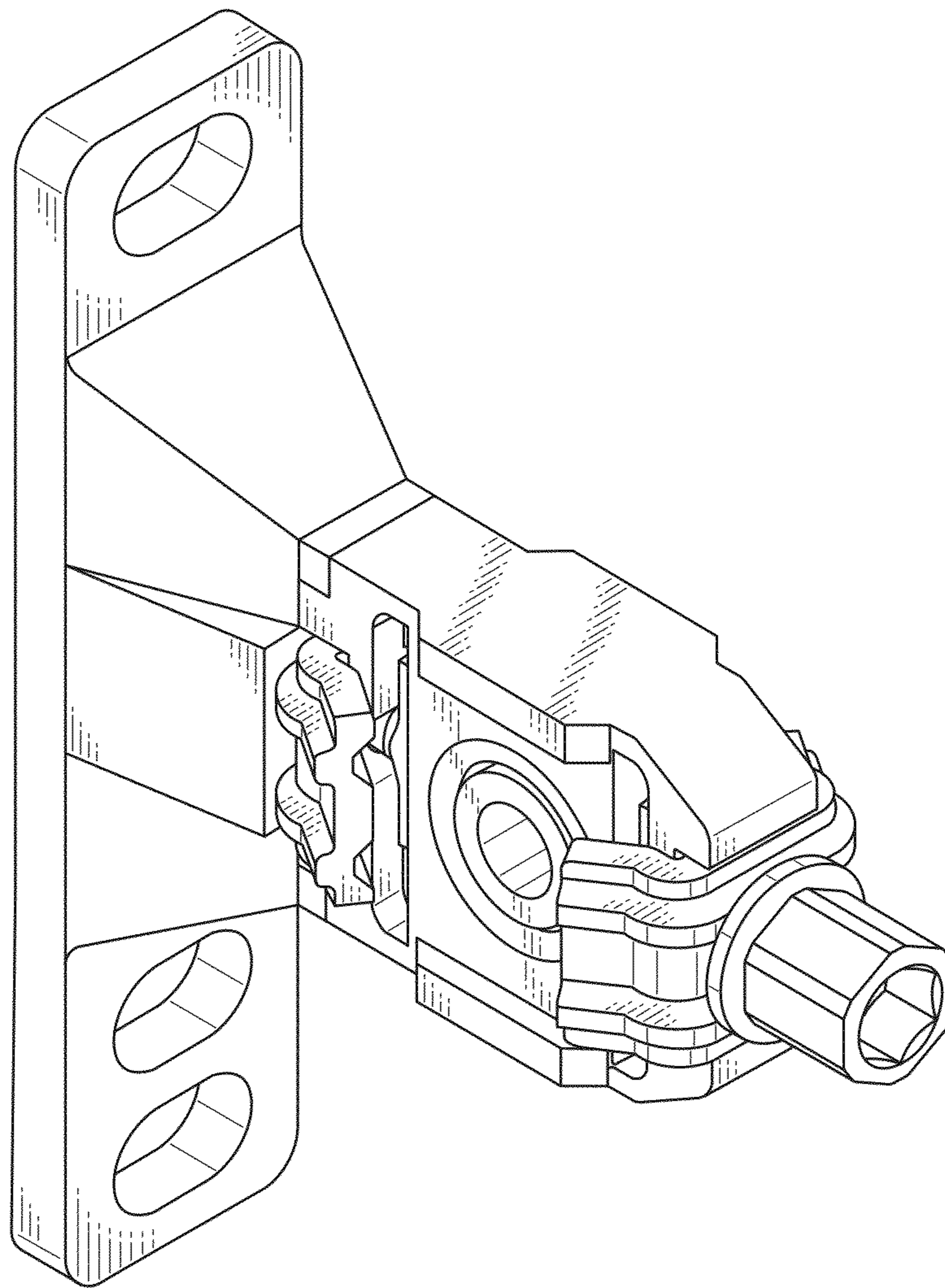




FIG. 8

