



US00D696097S

(12) **United States Design Patent**
Wada et al.

(10) **Patent No.:** **US D696,097 S**

(45) **Date of Patent:** **** Dec. 24, 2013**

(54) **SPACER**

(75) Inventors: **Makoto Wada**, Tsukubamirai (JP); **Koji Katsuta**, Tsukubamirai (JP)

(73) Assignee: **SMC Corporation**, Chiyoda-ku, Tokyo (JP)

(**) Term: **14 Years**

(21) Appl. No.: **29/396,125**

(22) Filed: **Jun. 27, 2011**

(30) **Foreign Application Priority Data**

Apr. 6, 2011 (JP) 2011-007966

(51) **LOC (9) Cl.** **08-05**

(52) **U.S. Cl.**
USPC **D8/354**

(58) **Field of Classification Search**
USPC D8/354, 349, 355, 356, 363, 364, 373, D8/380, 382, 396, 499; D13/133; D23/259-269, 235, 249; 285/125.1, 285/24, 364, 334.1, 83, 275, 277, 61, 325, 285/421; 137/614.04, 149.6; 248/317, 300, 248/200, 205.1, 207, 220.21, 226.11, 309.1, 248/351, 682; 184/55.2

See application file for complete search history.

(56) **References Cited**

U.S. PATENT DOCUMENTS

4,070,045	A *	1/1978	Colter et al.	285/325
4,289,335	A *	9/1981	Olbermann	285/91
4,352,511	A *	10/1982	Ribble et al.	285/91
D269,851	S *	7/1983	Kimura	D8/356
4,533,020	A *	8/1985	Yamazaki	184/55.2
D294,457	S *	3/1988	Doty et al.	D8/373
5,372,392	A *	12/1994	Dunn et al.	285/334.1
D392,544	S *	3/1998	Nakamura	D8/354
D392,545	S *	3/1998	Nakamura	D8/354

D404,996	S *	2/1999	Ross	D8/382
6,039,360	A *	3/2000	Ohmi et al.	285/61
D423,920	S *	5/2000	Lodi	D8/387
D428,394	S *	7/2000	Lodi	D13/199
D430,999	S *	9/2000	Lodi	D8/354
D439,641	S *	3/2001	Dumas	D23/341
D504,304	S *	4/2005	Hancock	D8/354
6,913,115	B2 *	7/2005	Tomita et al.	184/55.2
D525,181	S *	7/2006	Horner	D12/180
D531,890	S *	11/2006	Bentrim	D8/382
D548,571	S *	8/2007	Bigelow et al.	D8/349
D556,342	S *	11/2007	Walker	D25/38.1
D556,343	S *	11/2007	Walker	D25/38.1
D562,119	S *	2/2008	Prichard et al.	D8/382
D567,391	S *	4/2008	Walker	D25/38.1
D568,147	S *	5/2008	Prichard et al.	D8/382
D576,932	S *	9/2008	Strehler	D12/180
D585,269	S *	1/2009	Prichard et al.	D8/382
D615,847	S *	5/2010	Tezak et al.	D8/349
D622,131	S *	8/2010	Tezak et al.	D8/349
7,931,309	B2 *	4/2011	Gebauer et al.	285/364
8,061,385	B2 *	11/2011	Kaitsuka	137/614.01
D669,346	S *	10/2012	Jonsson et al.	D8/396

* cited by examiner

Primary Examiner — Mark Goodwin

(74) *Attorney, Agent, or Firm* — Yokoi & Co., U.S.A., Inc.; Toshiyuki Yokoi

(57) **CLAIM**

The ornamental design for a spacer, as shown and described.

DESCRIPTION

FIG. 1 is a front view of a spacer showing my new design; FIG. 2 is a rear view thereof; FIG. 3 is a right side view thereof; FIG. 4 is a left side view thereof; FIG. 5 is a top view thereof; FIG. 6 is a bottom view thereof; FIG. 7 is a top, front, left side perspective view thereof; and, FIG. 8 is a bottom, rear, and right side perspective view thereof.

1 Claim, 5 Drawing Sheets

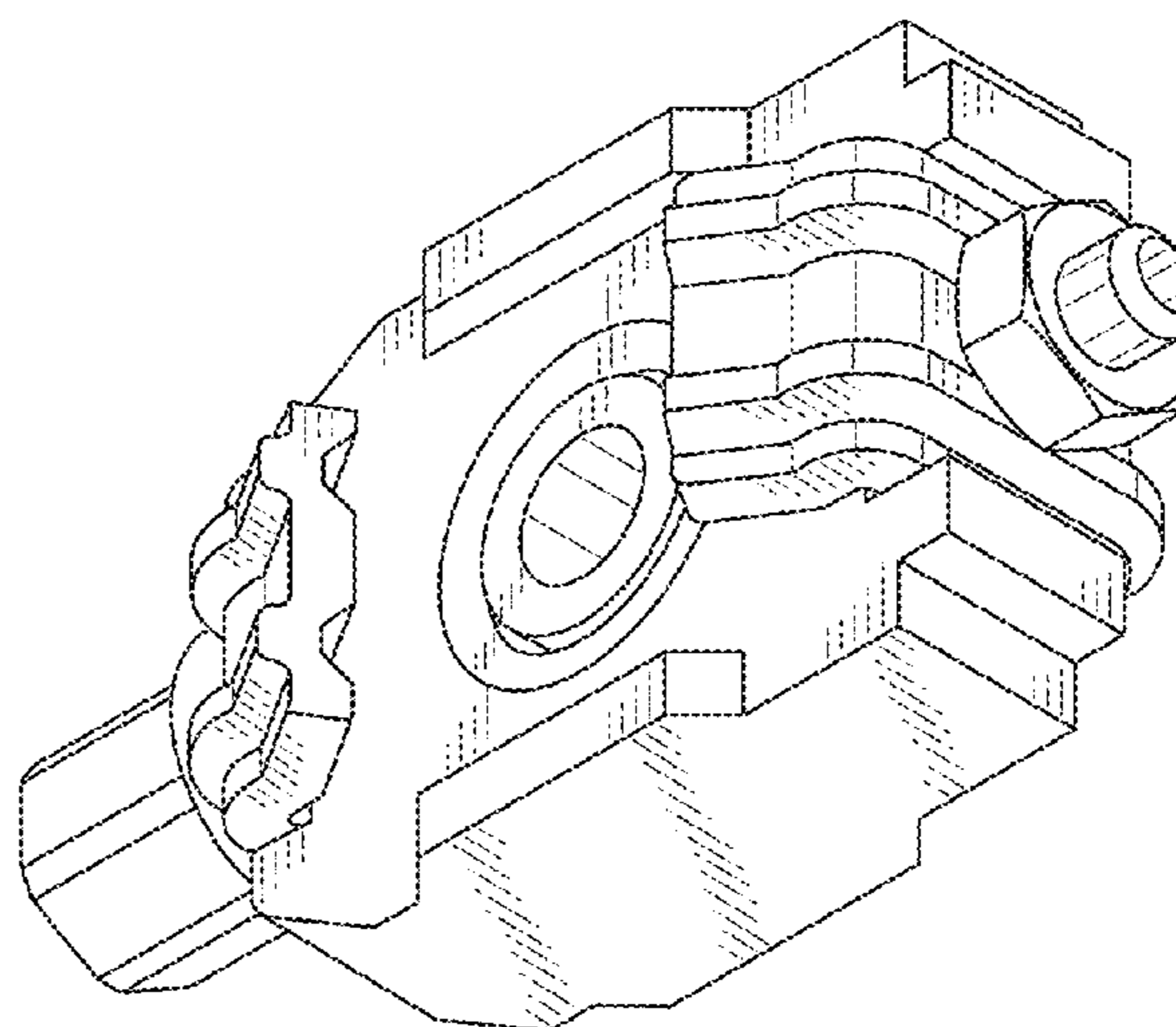
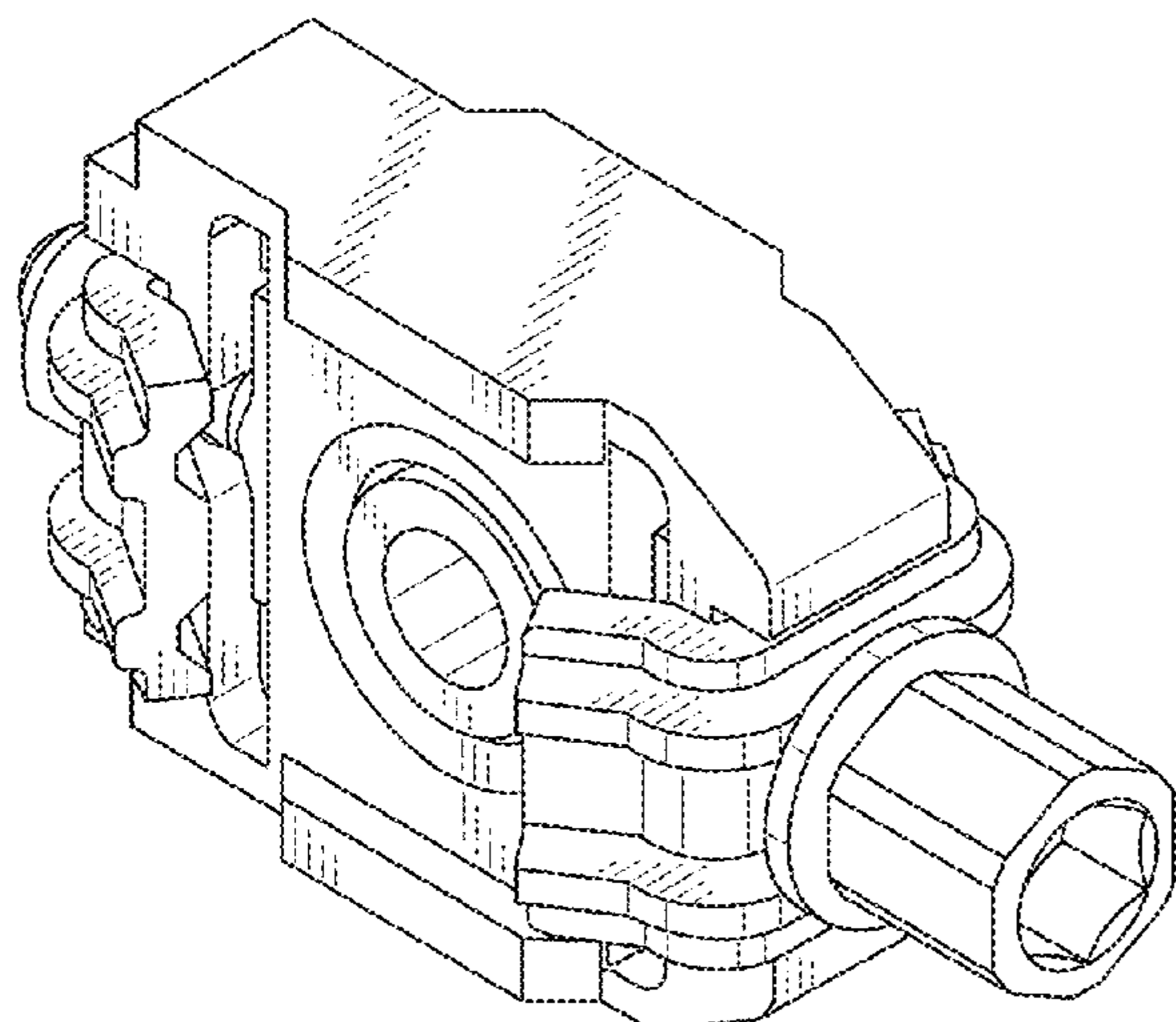


FIG. 1

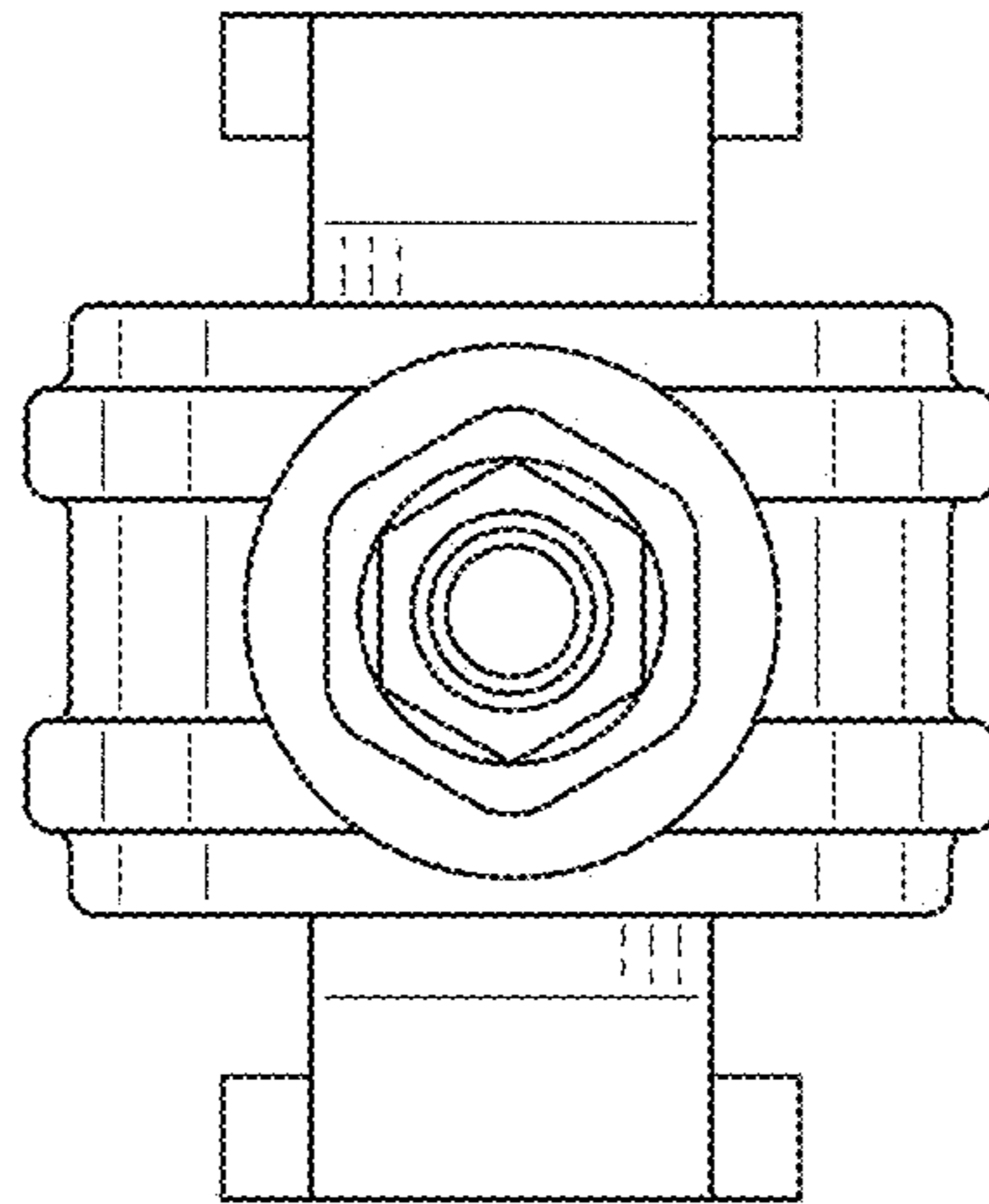


FIG. 2

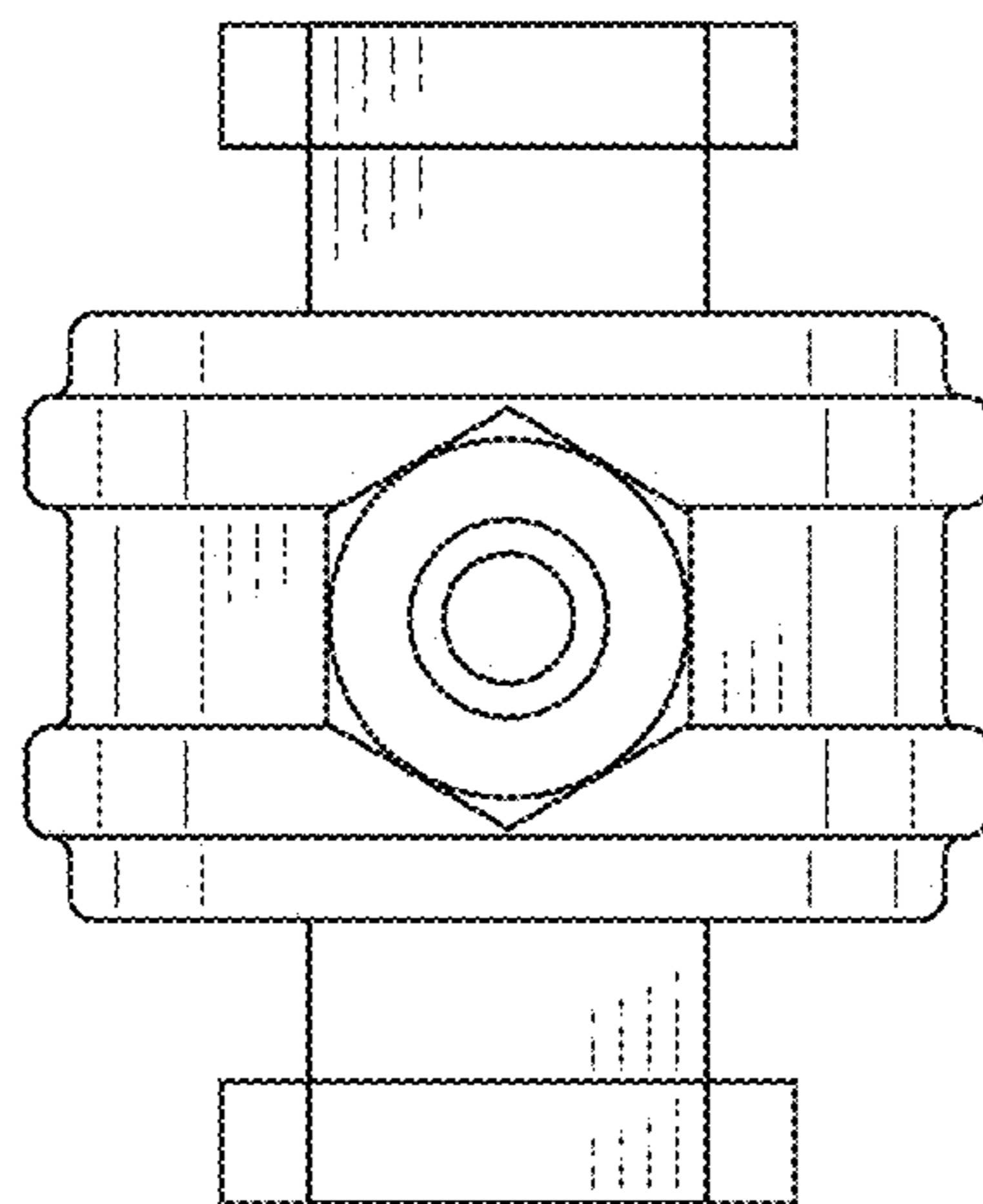


FIG. 3

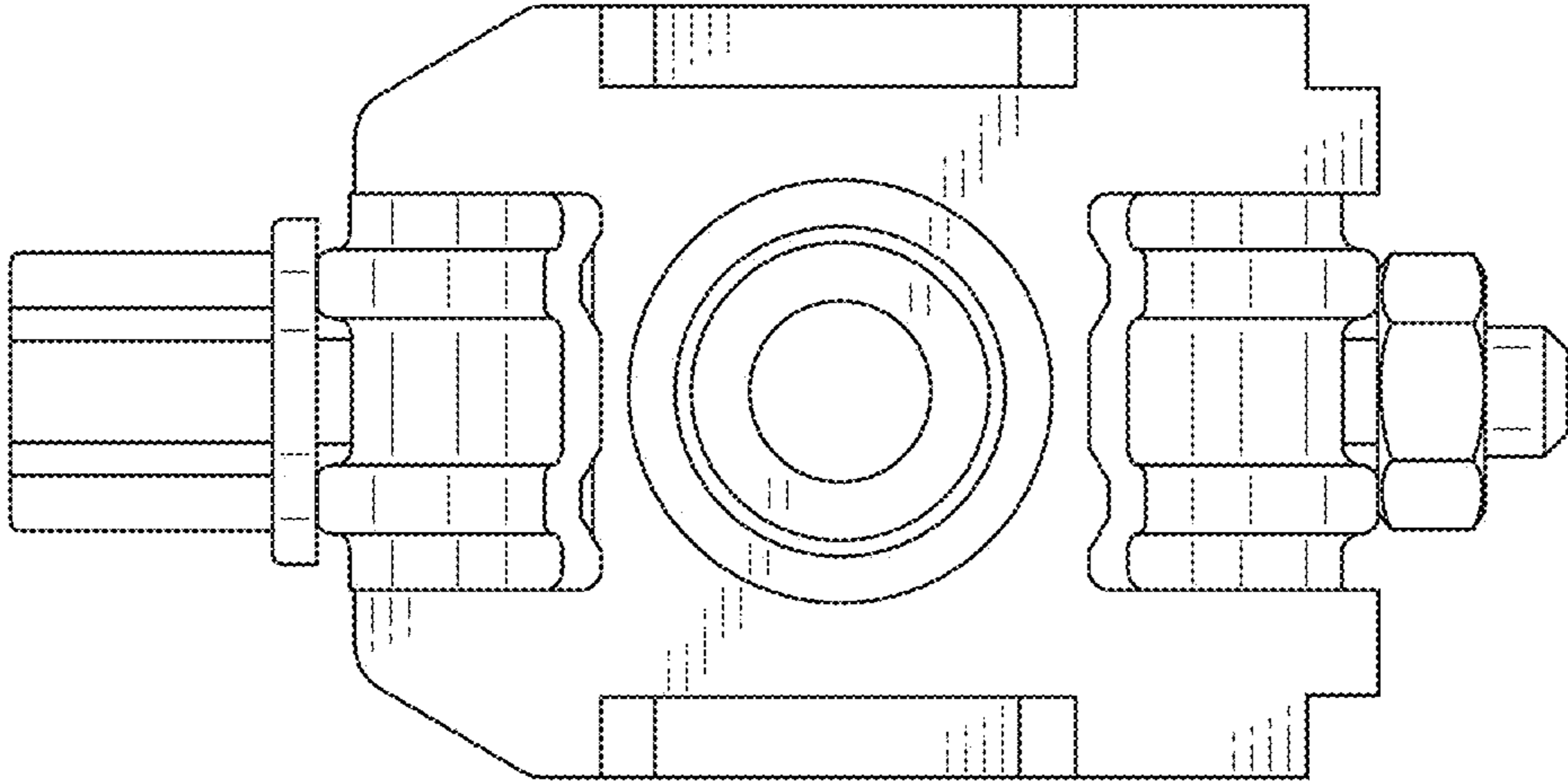


FIG. 4

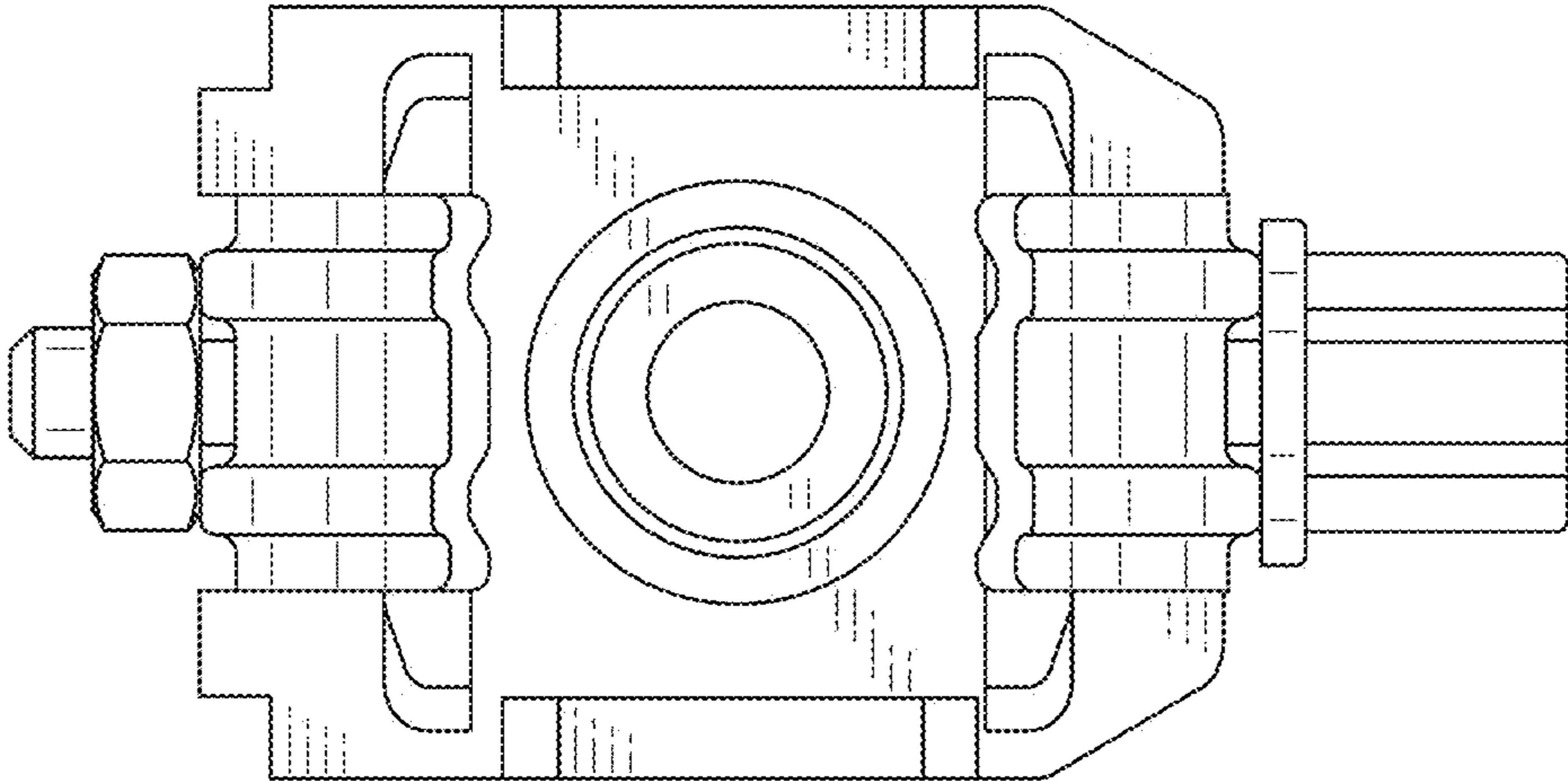


FIG. 5

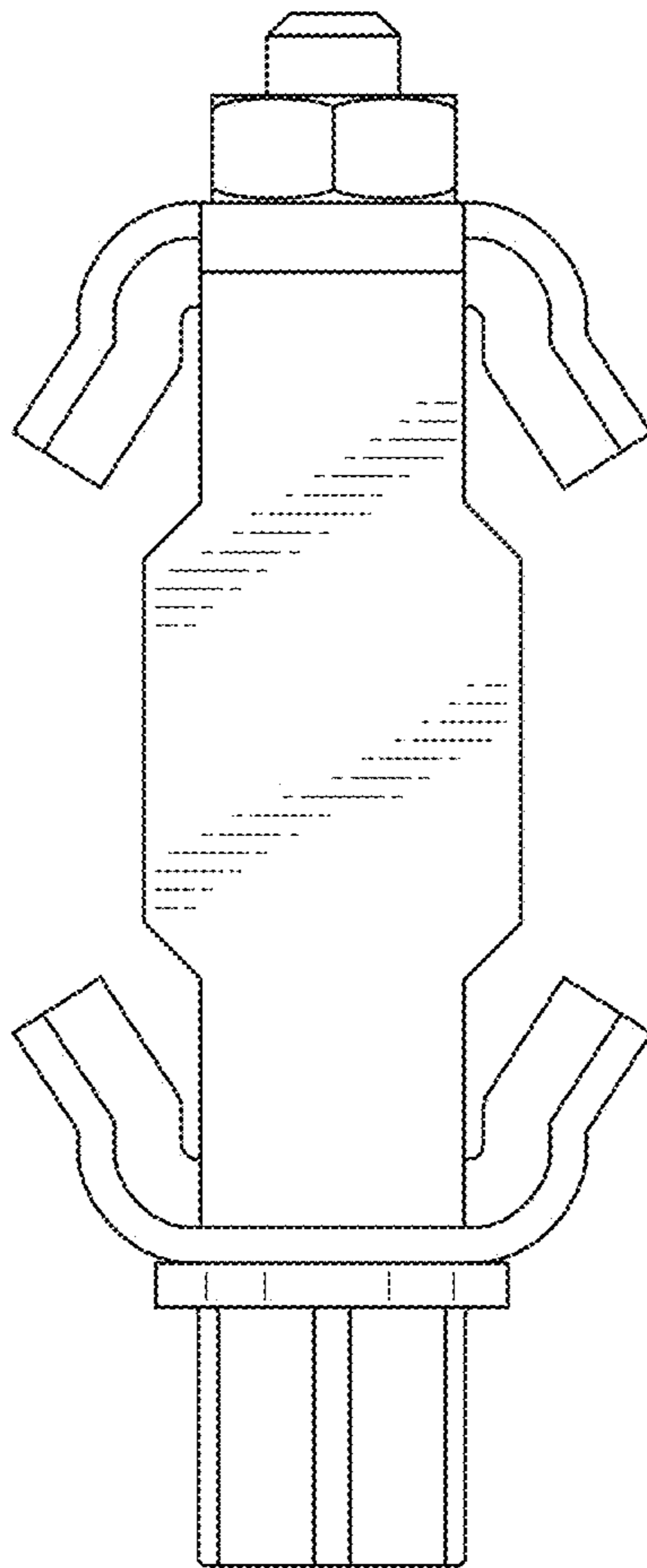


FIG. 6

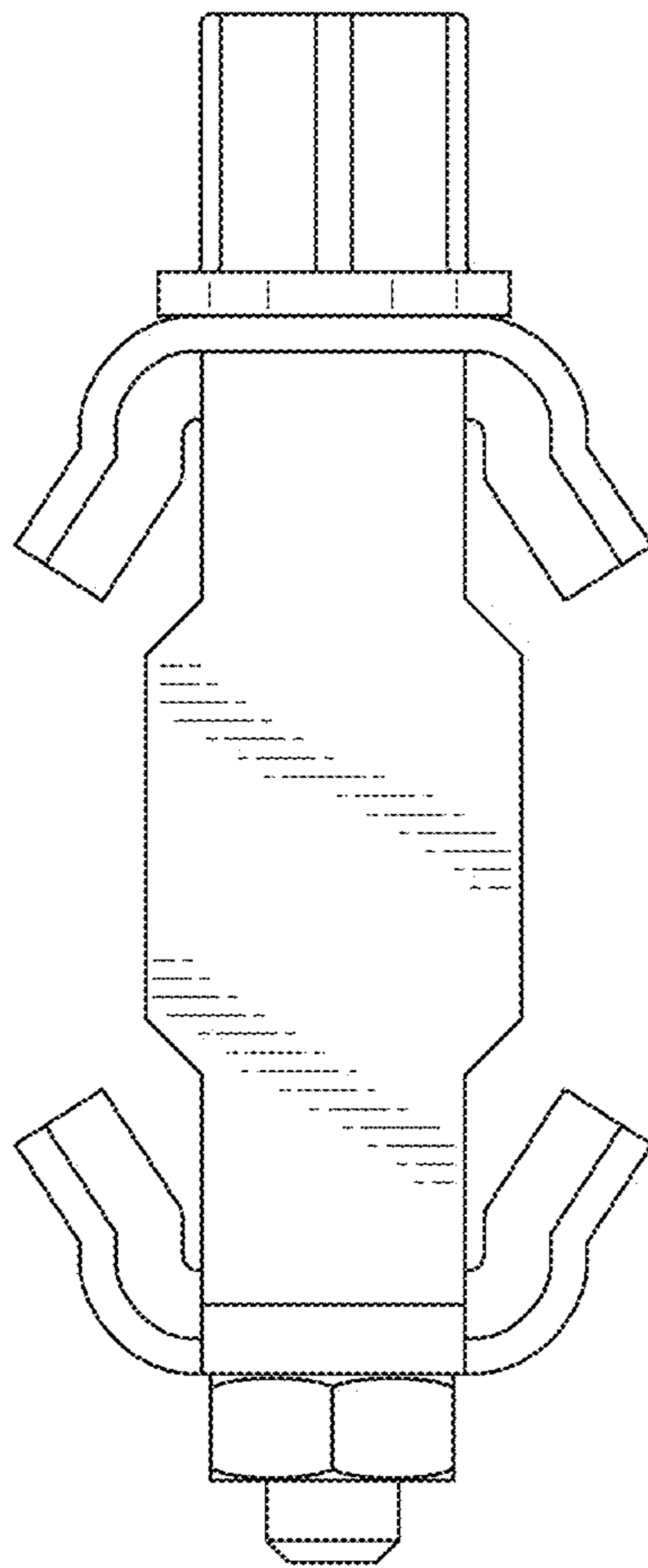


FIG. 7

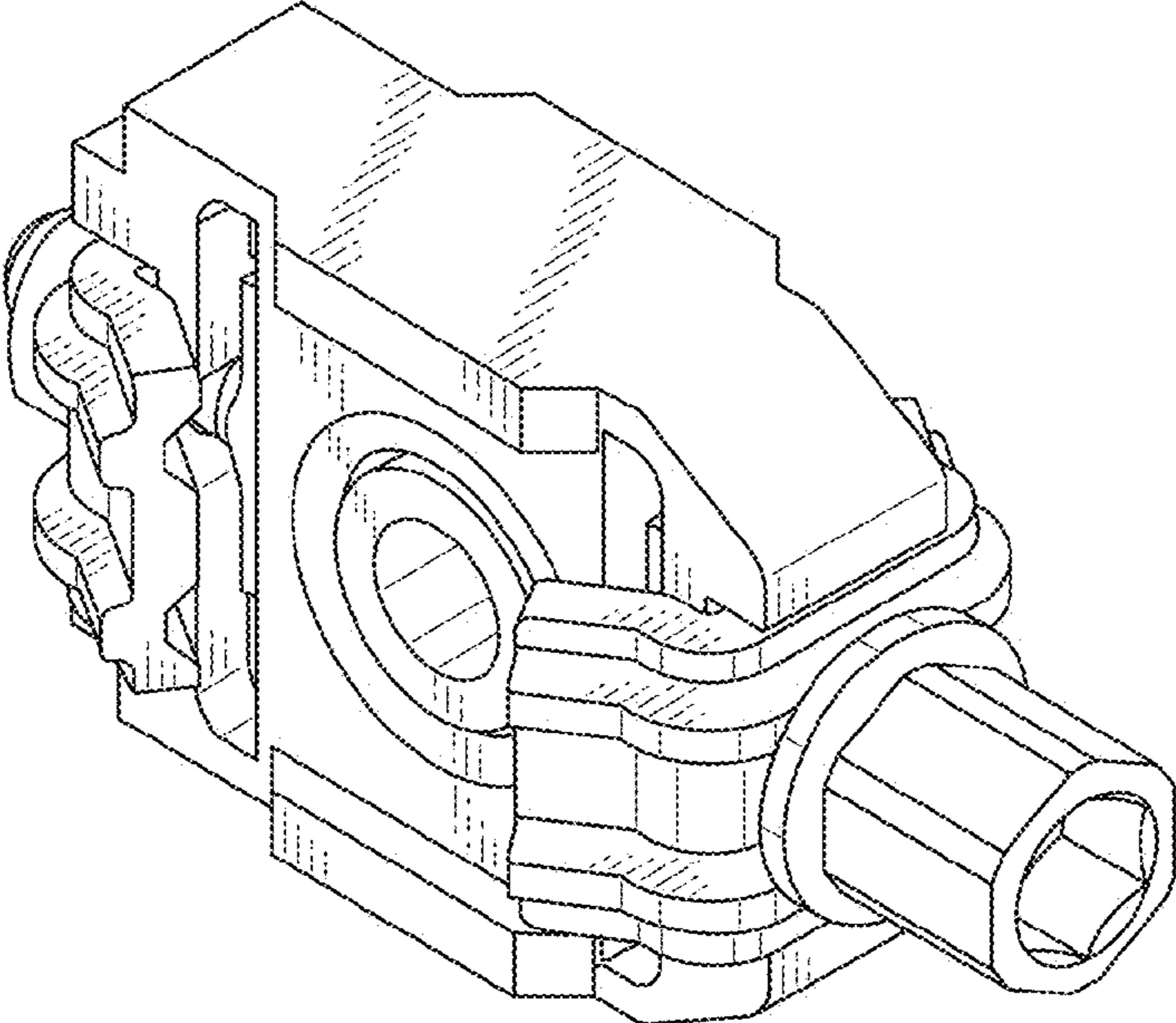


FIG. 8

