



US00D696095S

(12) **United States Design Patent**
Kim et al.

(10) **Patent No.:** **US D696,095 S**

(45) **Date of Patent:** **** Dec. 24, 2013**

(54) **DIGITAL DOOR LOCK**

(71) Applicant: **Samsung SNS Co., Ltd.**, Seoul (KR)

(72) Inventors: **Jae-Hoon Kim**, Seoul (KR);
Jeong-Hoon Ha, Namyangju-si (KR)

(73) Assignee: **Samsung SNS Co., Ltd.** (KR)

(**) Term: **14 Years**

(21) Appl. No.: **29/436,973**

(22) Filed: **Nov. 12, 2012**

(30) **Foreign Application Priority Data**

May 16, 2012 (KR) 30-2012-0024080

(51) **LOC (9) Cl.** **08-07**

(52) **U.S. Cl.**
USPC **D8/331**

(58) **Field of Classification Search**
USPC D8/330-303, 331, 339, 341.343; 70/14,
70/57, 57.1, 78, 141, 224, 237, DIG. 67,
70/129, 207, 213, 215; 292/336.3
See application file for complete search history.

(56) **References Cited**

U.S. PATENT DOCUMENTS

3,045,465 A * 7/1962 Larson 70/153
4,704,882 A * 11/1987 Takasaki 70/215
D344,881 S * 3/1994 Sauerland D8/331

D388,389 S * 12/1997 Johnson D12/205
6,061,883 A * 5/2000 Uehara 24/625
6,068,308 A * 5/2000 Molzer 292/336.3
6,318,770 B1 * 11/2001 Molzer 292/336.3
6,526,788 B2 * 3/2003 Finkelstein et al. 70/129
6,748,776 B2 * 6/2004 Bullock et al. 70/212
6,935,149 B1 * 8/2005 Peng et al. 70/472
D592,859 S * 5/2009 Goddard-Clark et al. D4/134
D637,061 S * 5/2011 Mitchell et al. D8/331
D649,861 S * 12/2011 Mitchell et al. D8/331

* cited by examiner

Primary Examiner — Prabhakar Deshmukh

(74) *Attorney, Agent, or Firm* — Cantor Colburn LLP

(57) **CLAIM**

The ornamental design for a digital door lock, as shown and described.

DESCRIPTION

FIG. 1 is a perspective view of a digital door lock showing our new design;
FIG. 2 is a front view thereof;
FIG. 3 is a rear view thereof;
FIG. 4 is a left side view thereof;
FIG. 5 is a right side view thereof;
FIG. 6 is a top plan view thereof;
FIG. 7 is a bottom plan view thereof; and,
FIG. 8 is left side view thereof, shown in an alternate position and environmental use.
The broken lines are shown for illustrative purposes only and form no part of the claimed design.

1 Claim, 8 Drawing Sheets

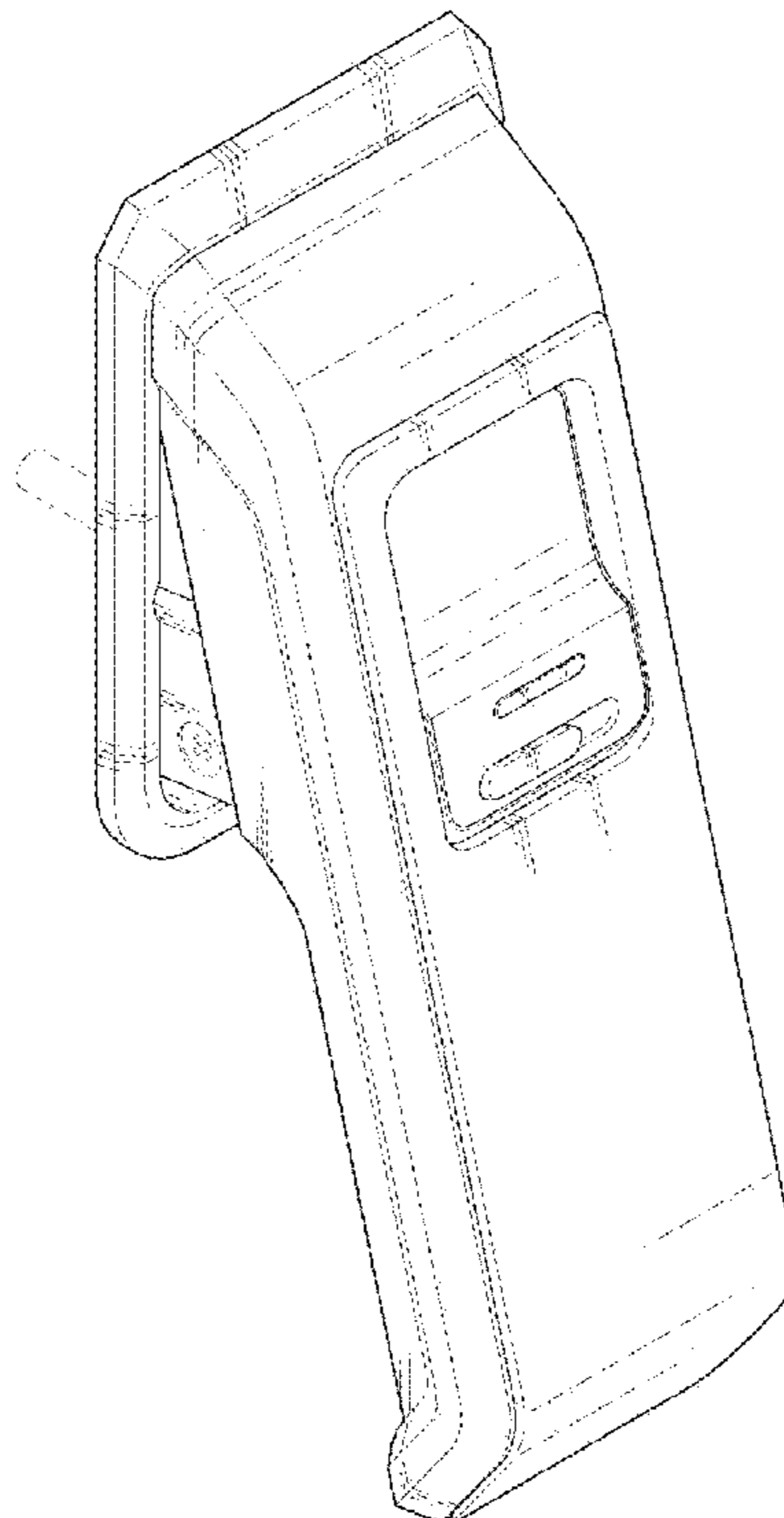


FIG. 1

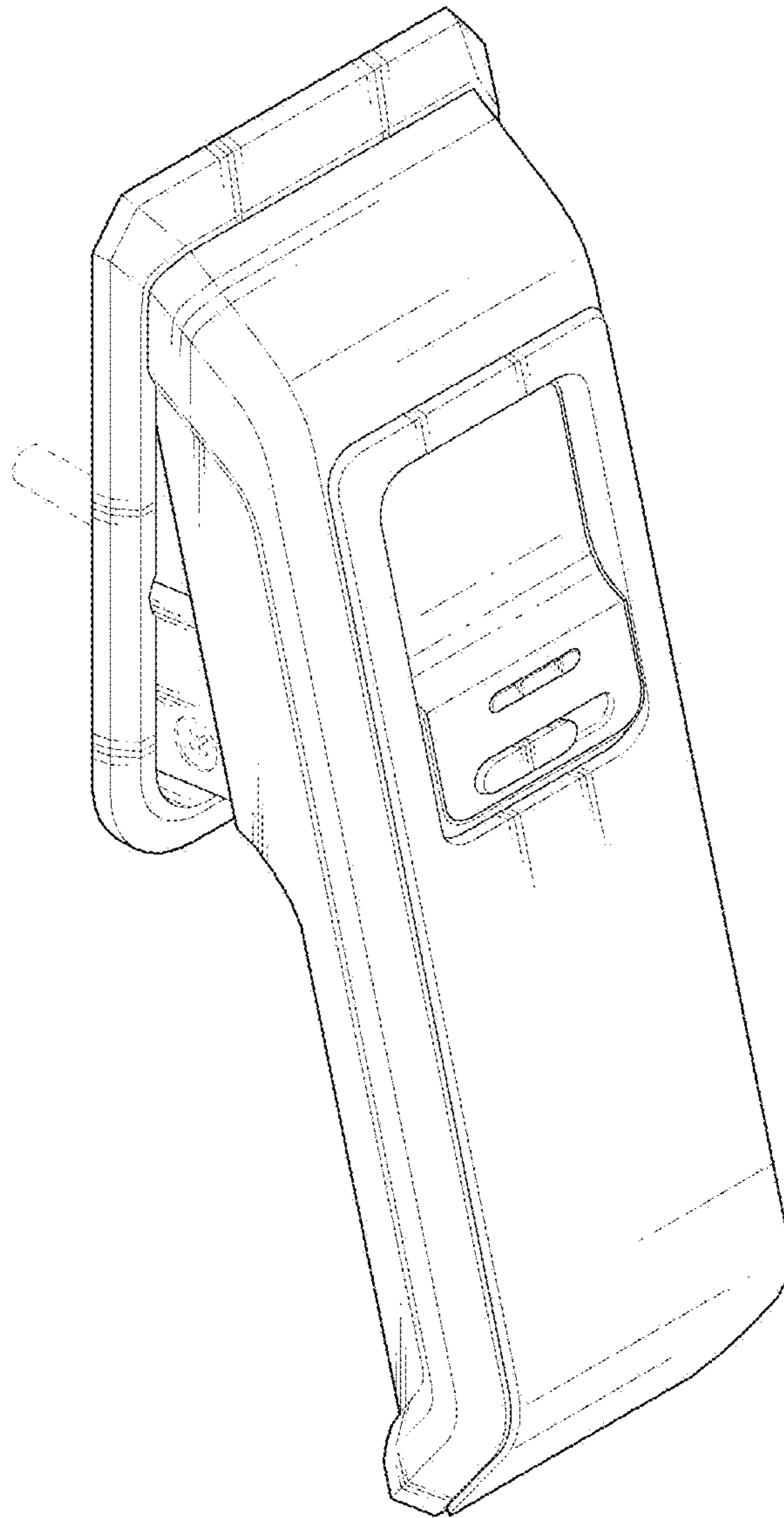


FIG. 2

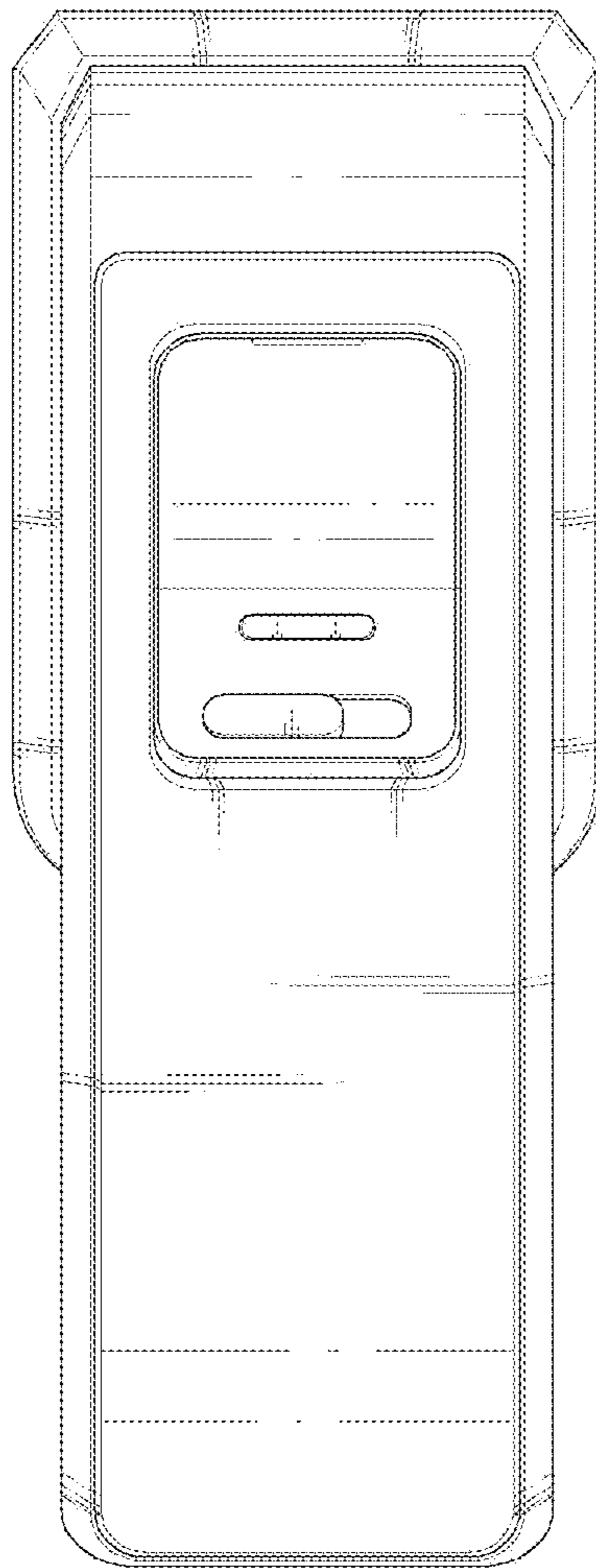


FIG. 3

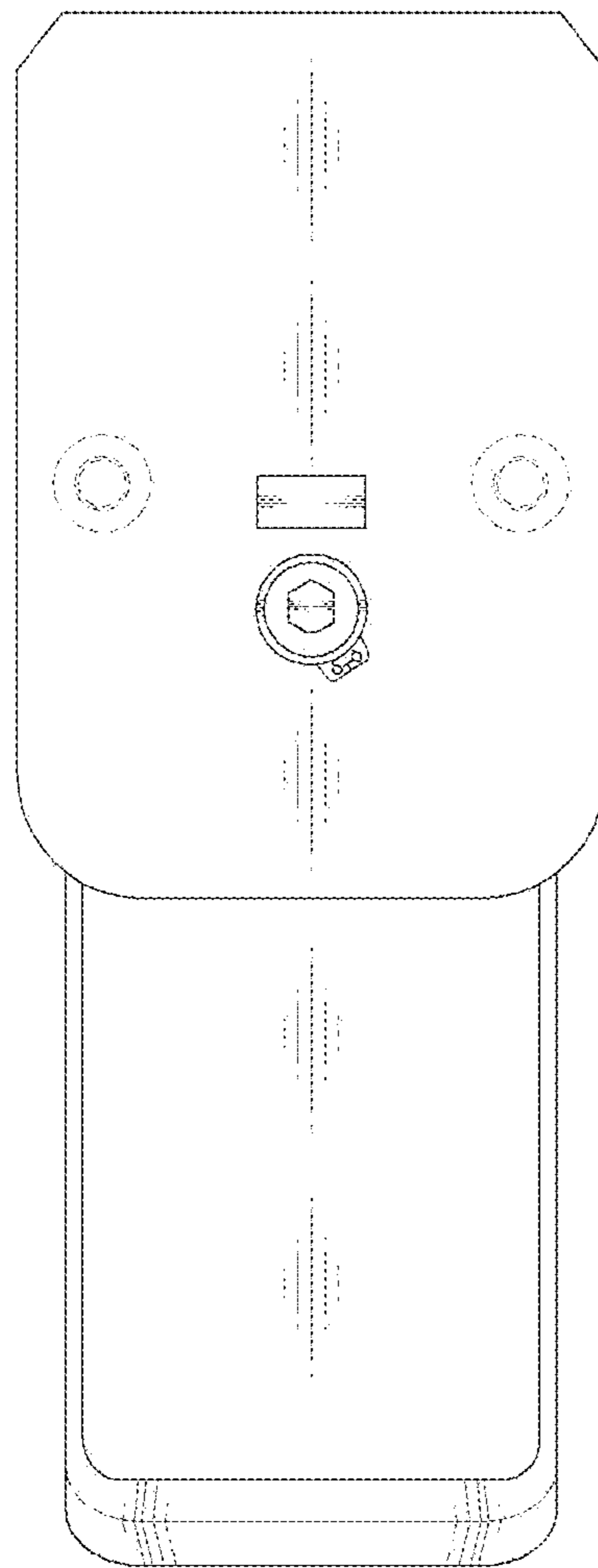


FIG. 4

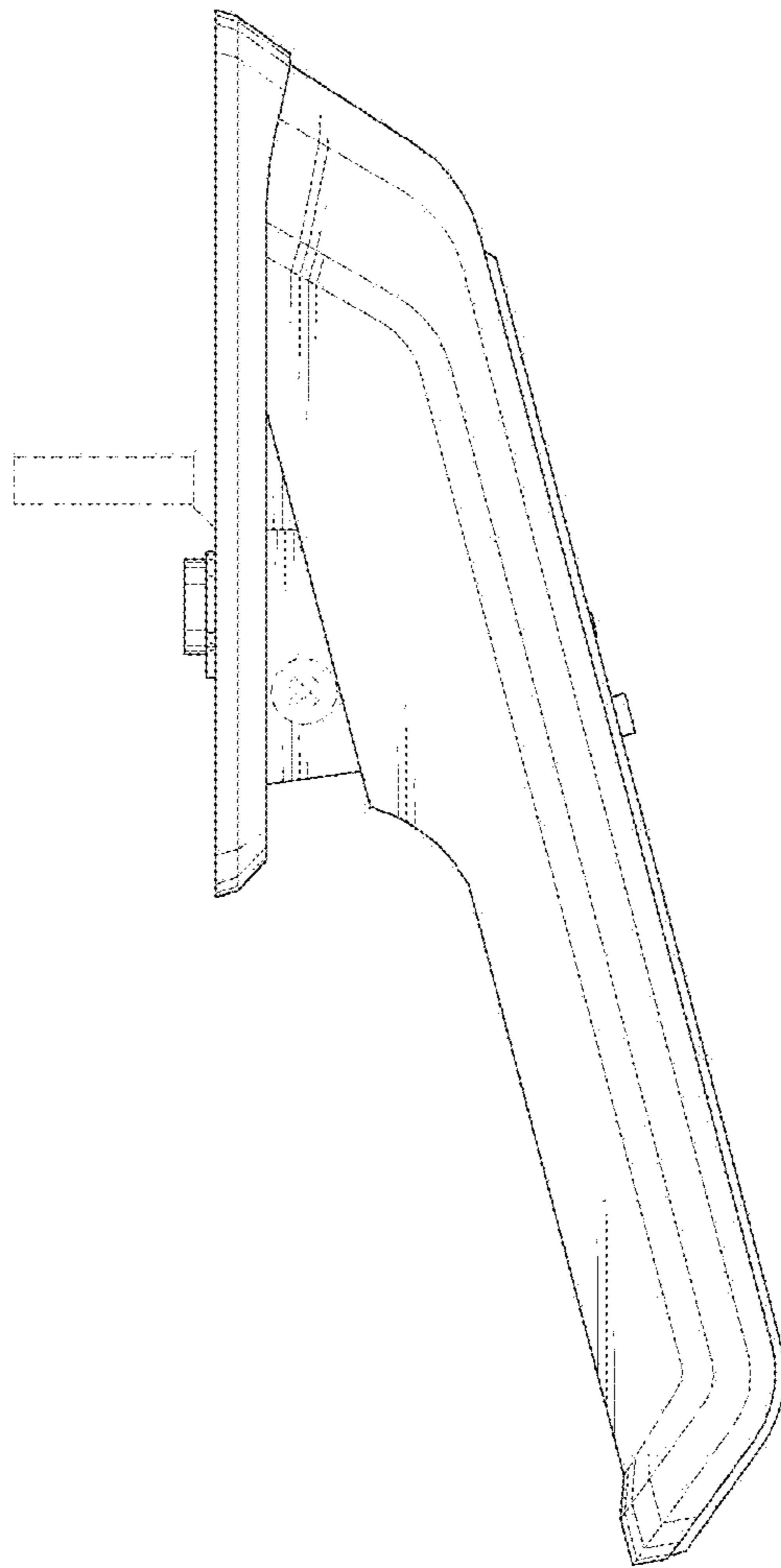


FIG. 5

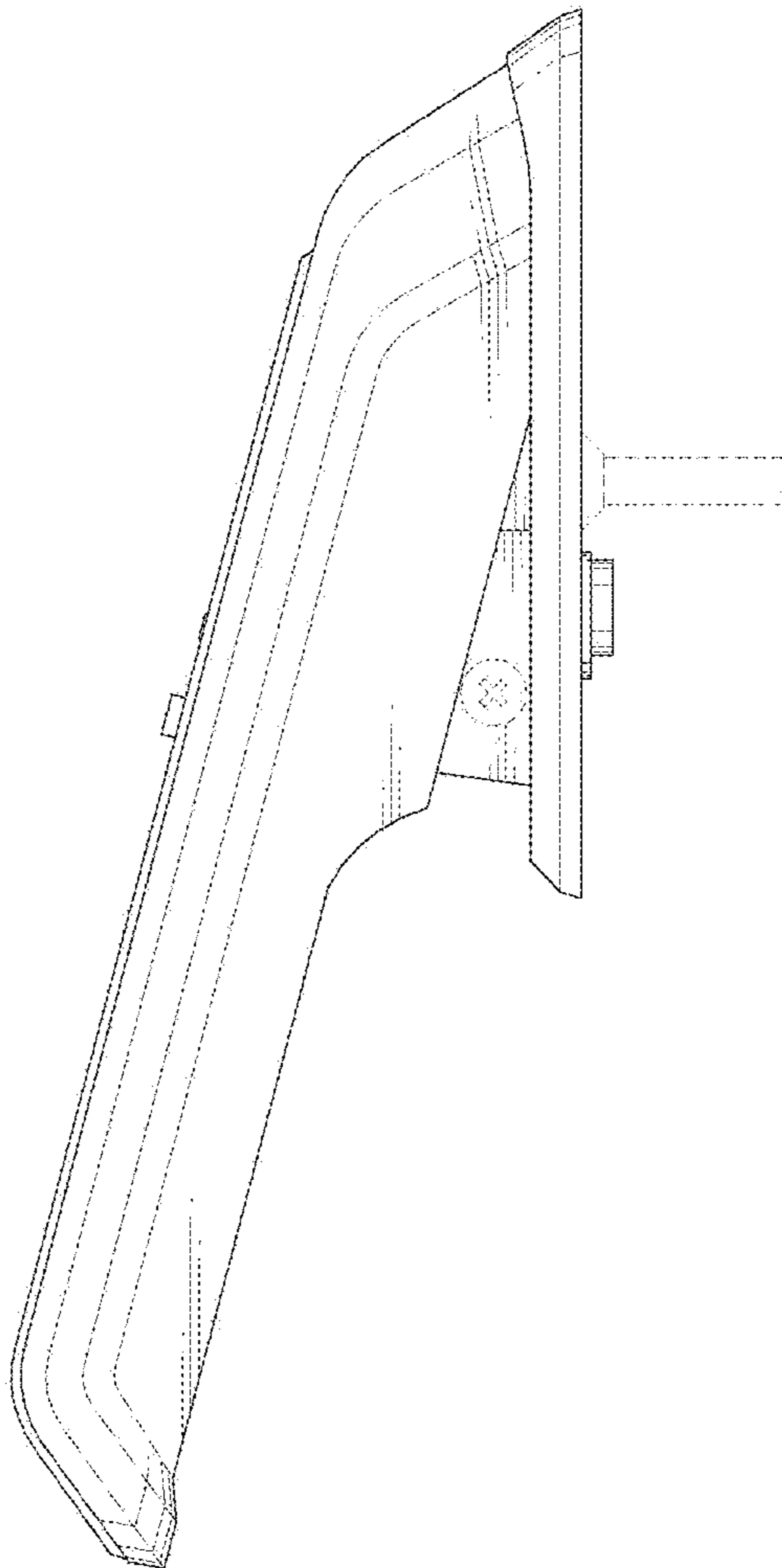


FIG. 6

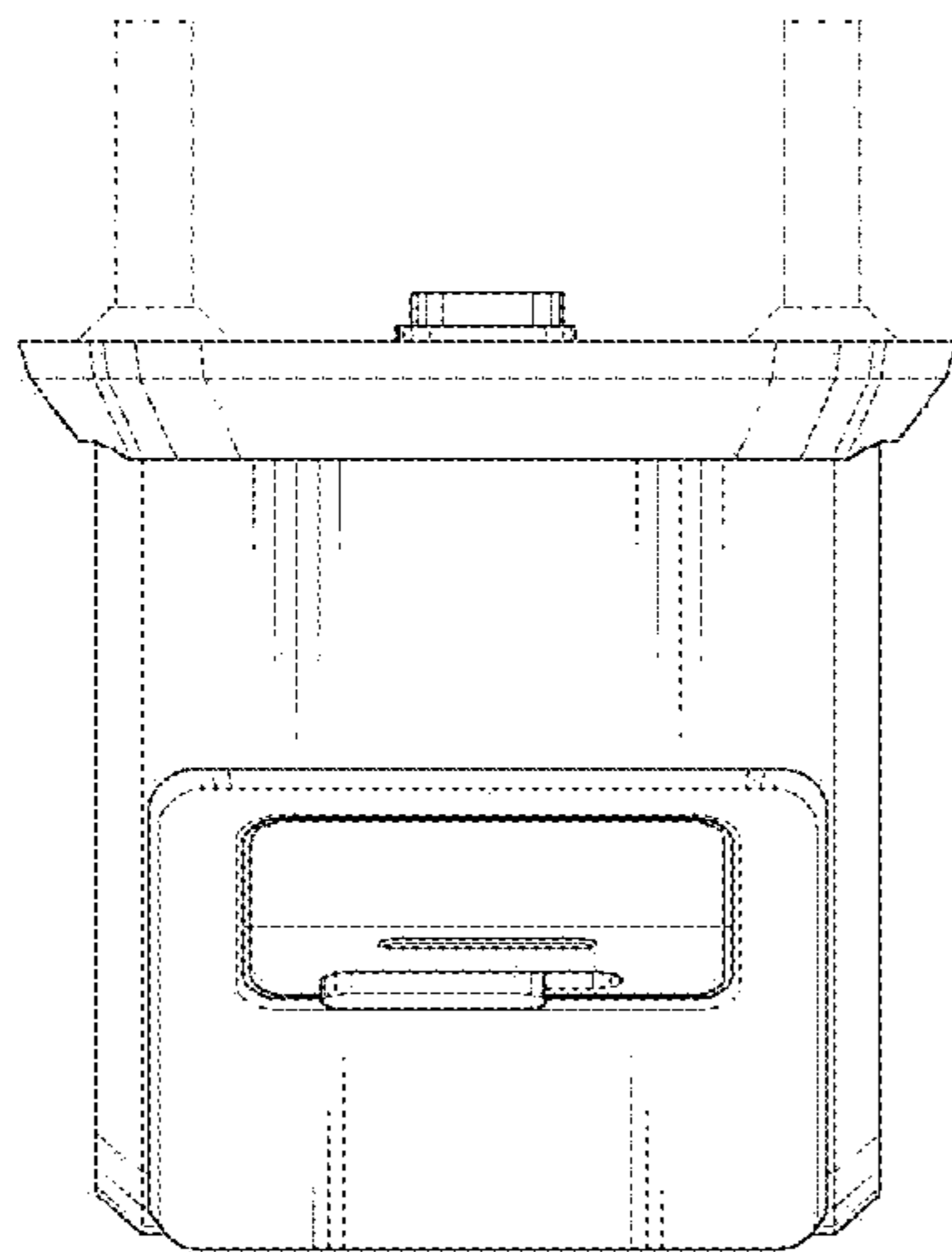


FIG. 7

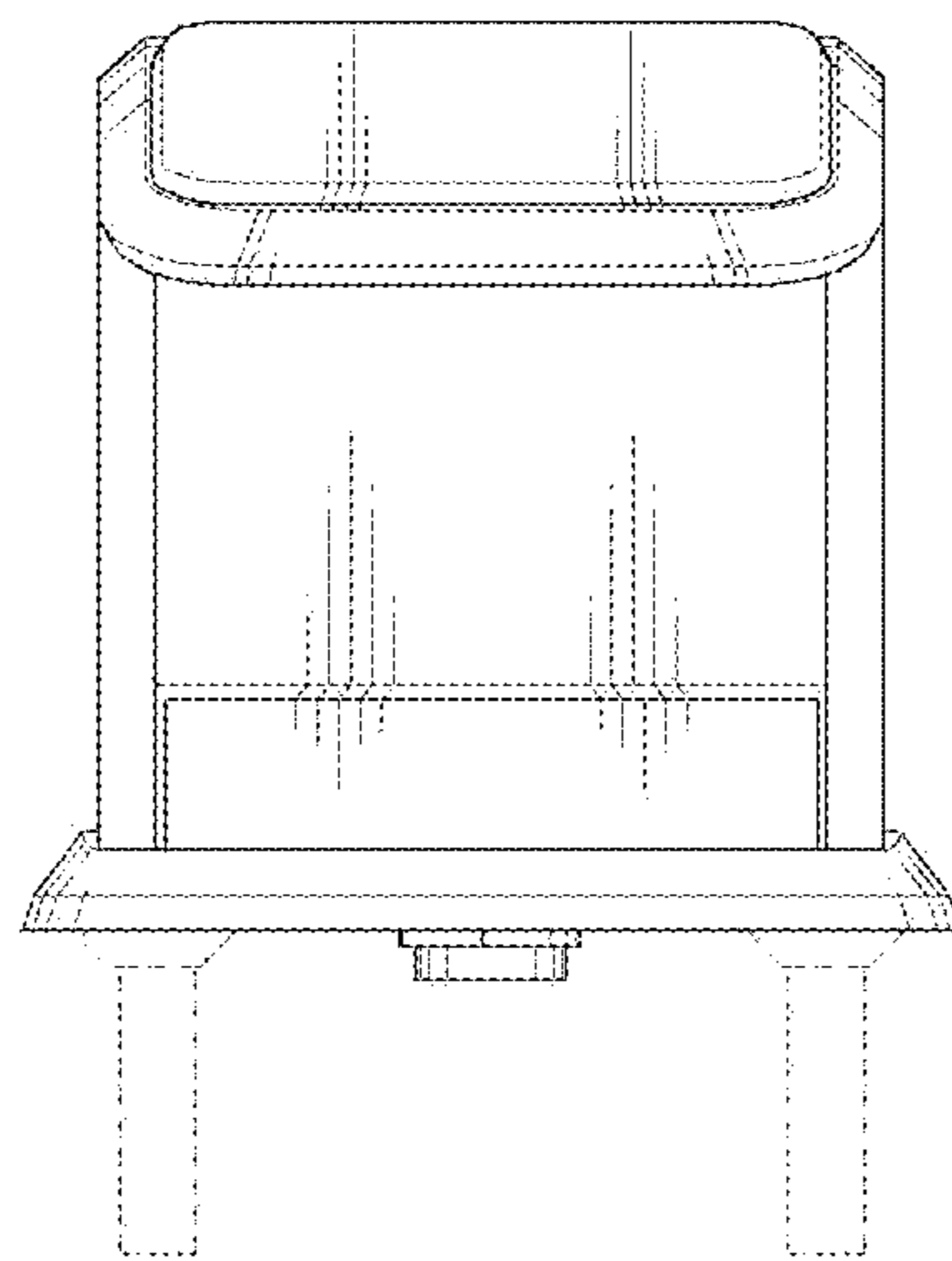


FIG. 8

