



US00D696094S

(12) **United States Design Patent**  
**Master et al.**

(10) **Patent No.:** **US D696,094 S**  
(45) **Date of Patent:** **\*\* Dec. 24, 2013**

- (54) **ACCESSORY CLAMP**
- (71) Applicant: **Emory University**, Atlanta, GA (US)
- (72) Inventors: **Viraj Master**, Decatur, GA (US);  
**Benjamin Geddes**, Atlanta, GA (US)
- (73) Assignee: **Emory University**, Atlanta, GA (US)
- (\*\*) Term: **14 Years**
- (21) Appl. No.: **29/455,007**
- (22) Filed: **May 16, 2013**
- (51) **LOC (9) Cl.** ..... **08-05**
- (52) **U.S. Cl.**  
USPC ..... **D8/72**
- (58) **Field of Classification Search**  
USPC ..... D8/71-74, 394-399, 59; 248/62, 63,  
248/72, 74.1, 689, 124.2; 81/487; 269/3, 4,  
269/6, 143, 165, 240, 243, 246-249, 254 R,  
269/147-149; 29/256, 257, 276; 408/103,  
408/104-109  
See application file for complete search history.

6,042,469	A	*	3/2000	Wagner	.....	269/238
D621,209	S	*	8/2010	Takagi et al.	.....	D8/73
D641,606	S	*	7/2011	Stillwagon	.....	D8/71
D644,095	S	*	8/2011	Underwood et al.	.....	D8/396
D644,497	S	*	9/2011	Livingston et al.	.....	D8/72
8,272,109	B2	*	9/2012	Fratantoni	.....	24/302
D681,437	S	*	5/2013	Wall et al.	.....	D8/394

\* cited by examiner

*Primary Examiner* — David Muller

(74) *Attorney, Agent, or Firm* — Emory Patent Group; Randi Beth Isaacs; Susanne Hollinger

(57) **CLAIM**

The ornamental design for an accessory clamp, as shown and described.

**DESCRIPTION**

FIG. 1 is a perspective view of an accessory clamp, showing our new design;  
 FIG. 2 is a top view thereof;  
 FIG. 3 is a bottom view thereof;  
 FIG. 4 is a left-side view thereof  
 FIG. 5 is a right-side view thereof;  
 FIG. 6 is a front view thereof; and,  
 FIG. 7 is a rear view thereof.

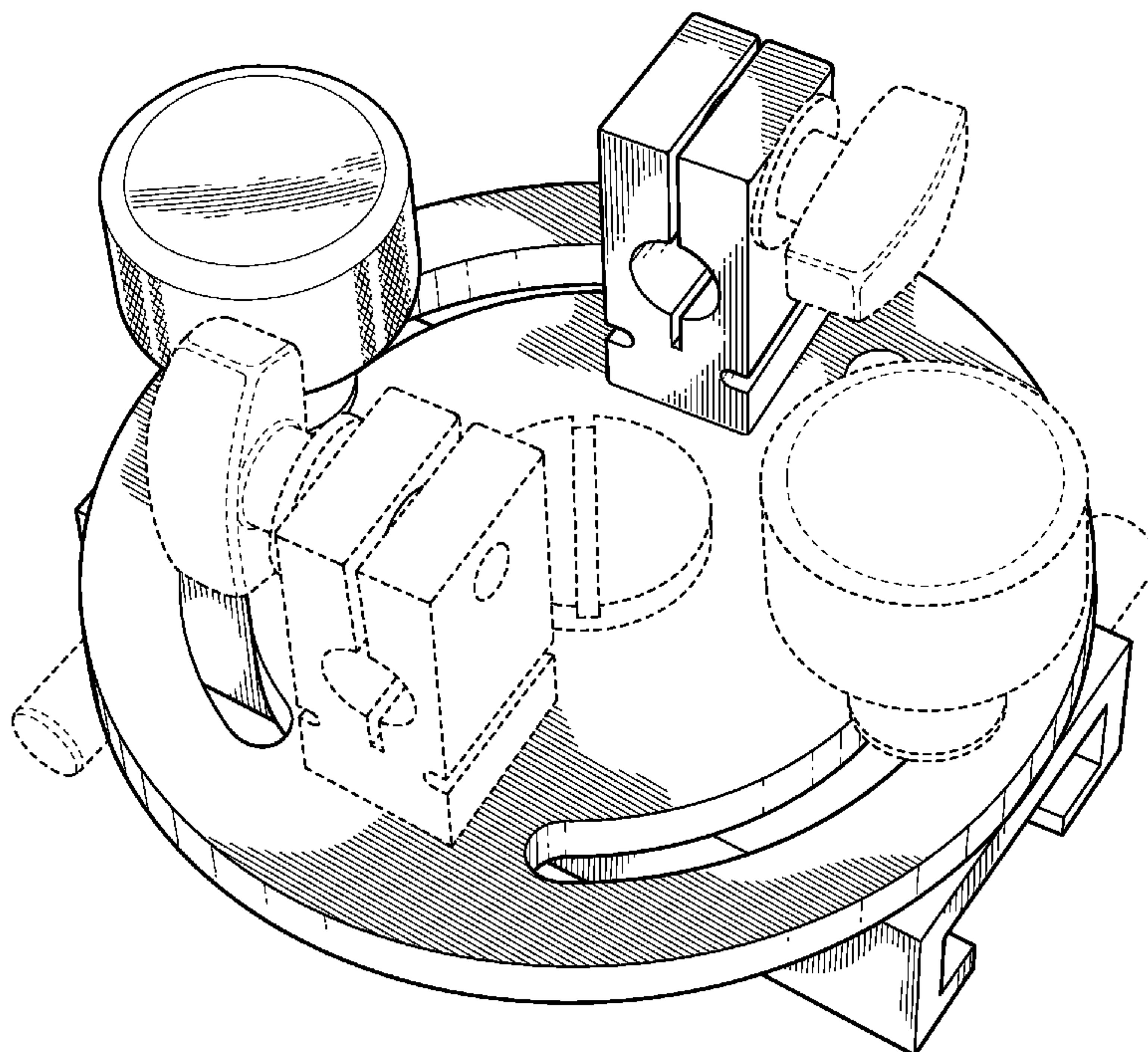
The broken lines are for environmental purposes only and form no part of the claimed design. The shading illustrated in the figures is provided merely to represent the contour of the design and is not intended to be illustrative of the texture, gloss, or surface decoration.

**1 Claim, 5 Drawing Sheets**

(56) **References Cited**

U.S. PATENT DOCUMENTS

4,056,136	A	*	11/1977	Miller	.....	269/246
D316,368	S	*	4/1991	Kirby	.....	D8/395
D364,546	S	*	11/1995	Tieffel et al.	.....	D8/71
D366,610	S	*	1/1996	Blumenaus	.....	D8/395
D415,410	S	*	10/1999	An et al.	.....	D8/394
D421,564	S	*	3/2000	Fortune	.....	D8/394



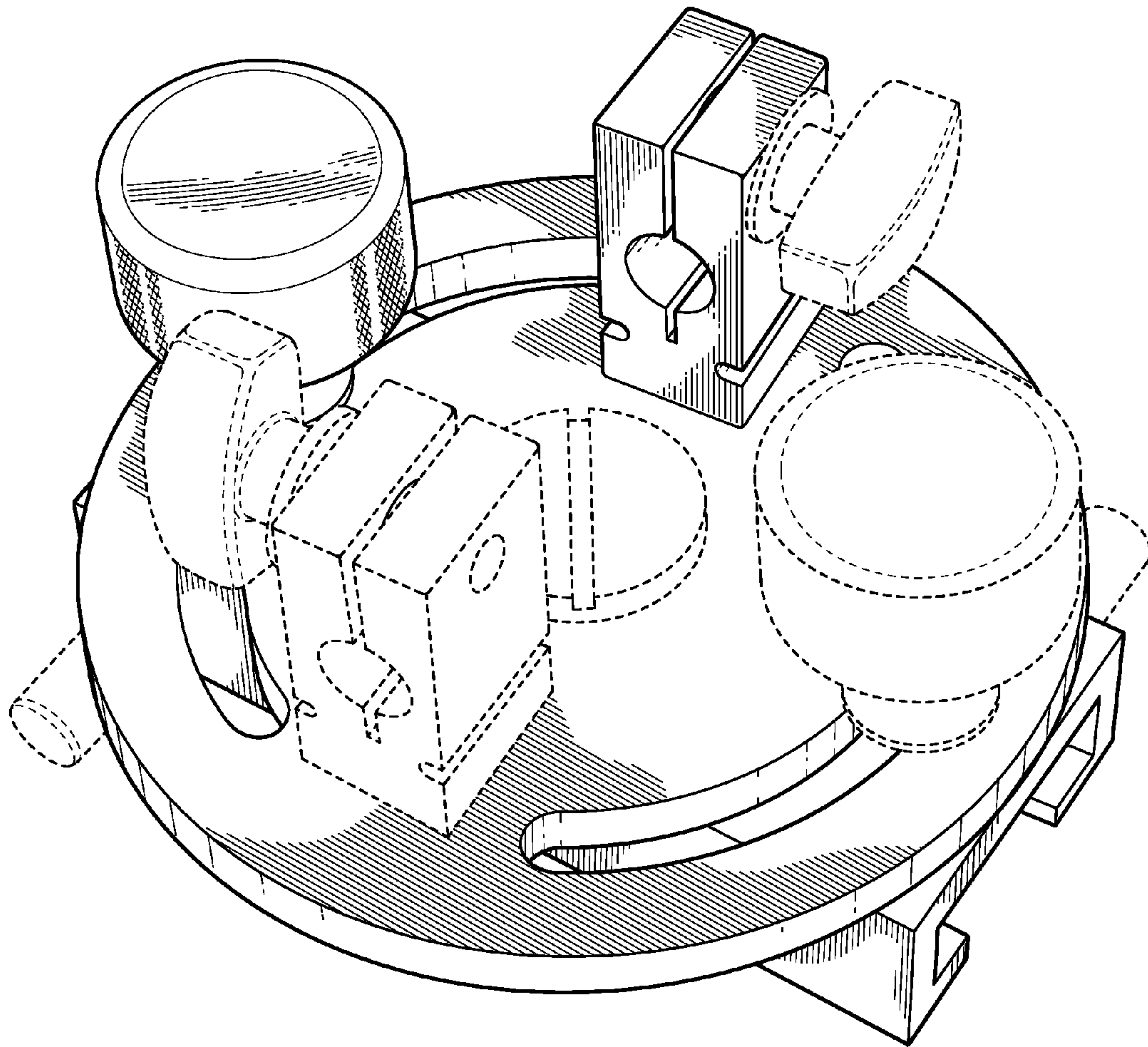


FIG. 1

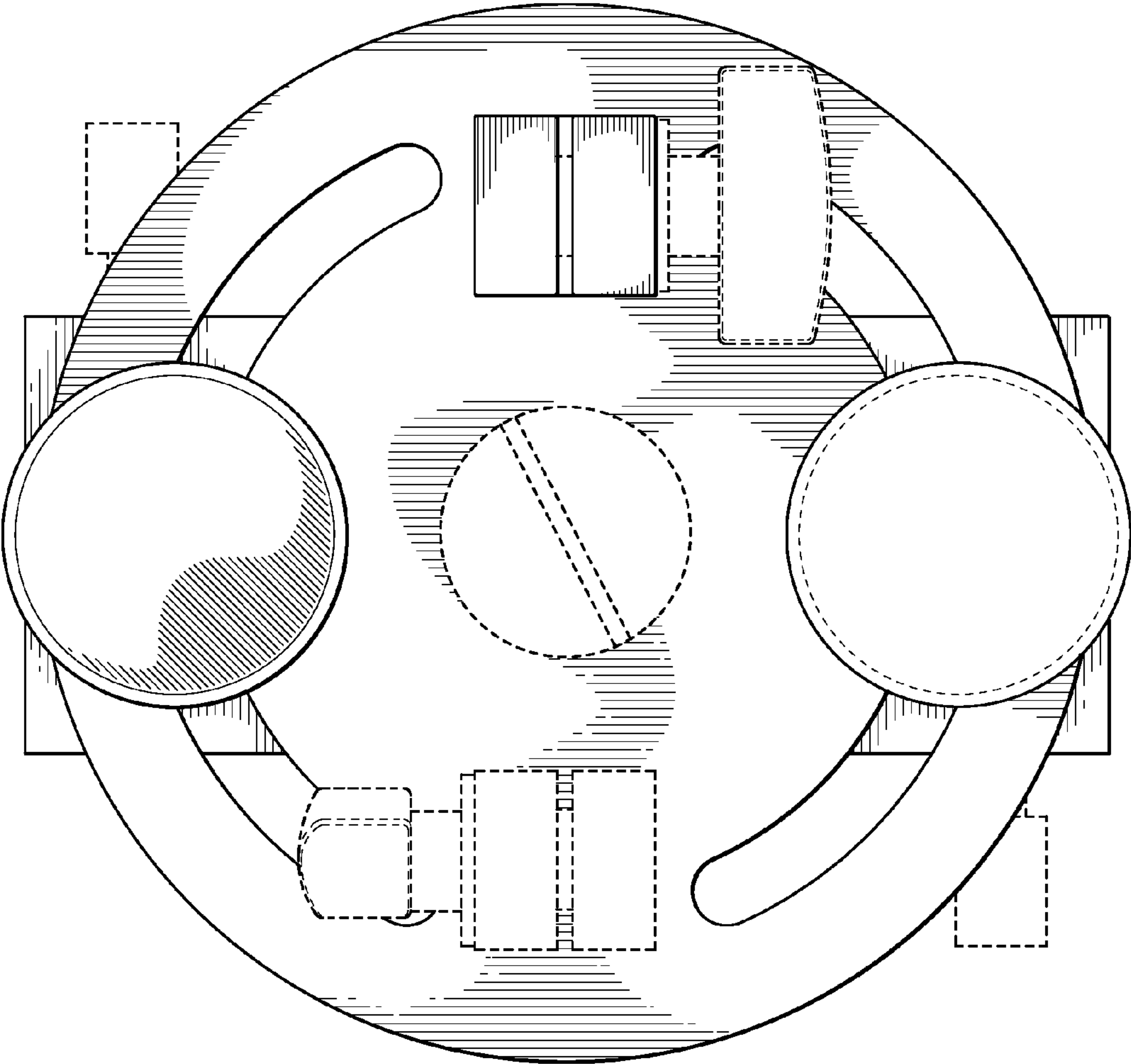


FIG. 2

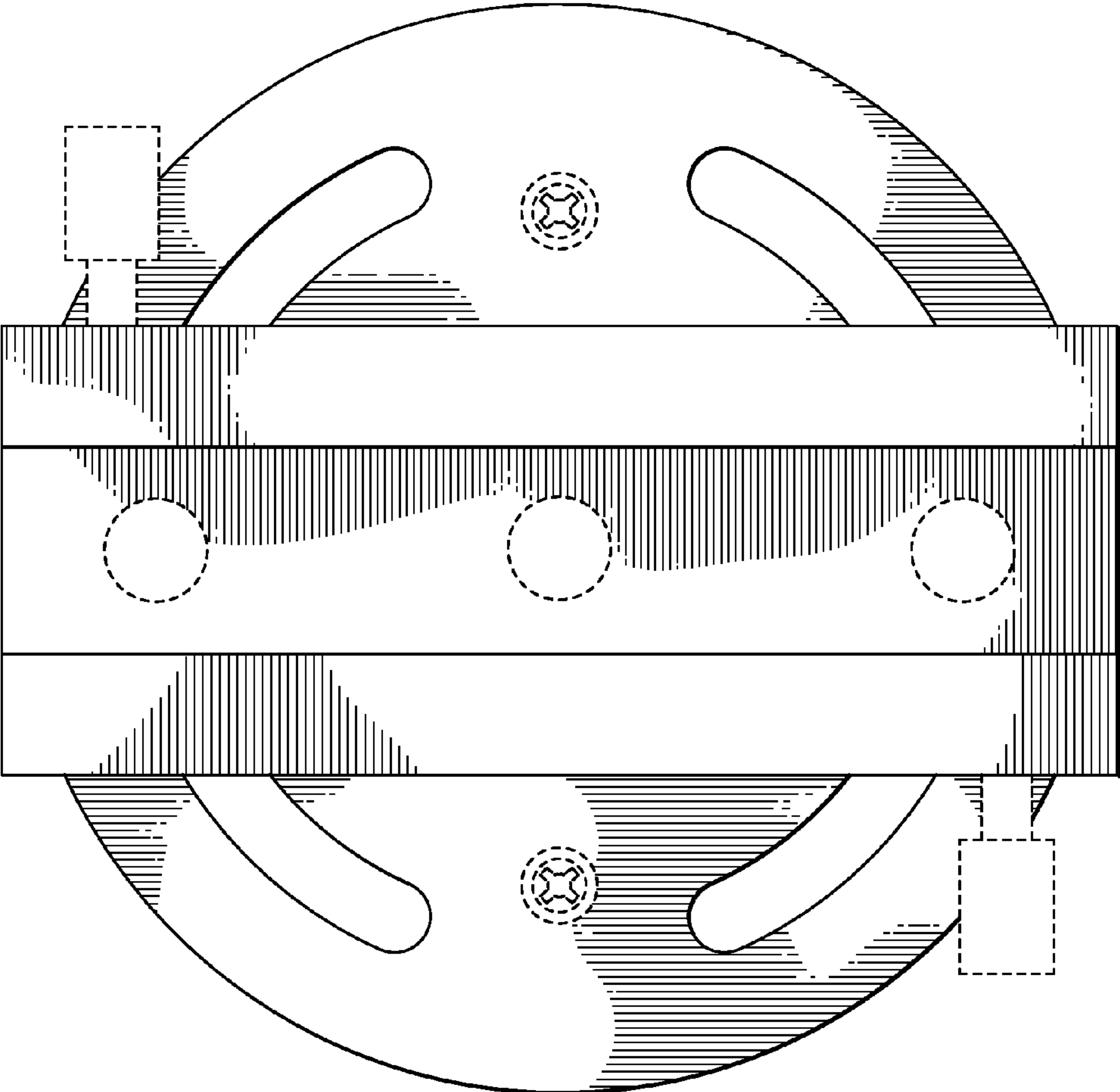


FIG. 3



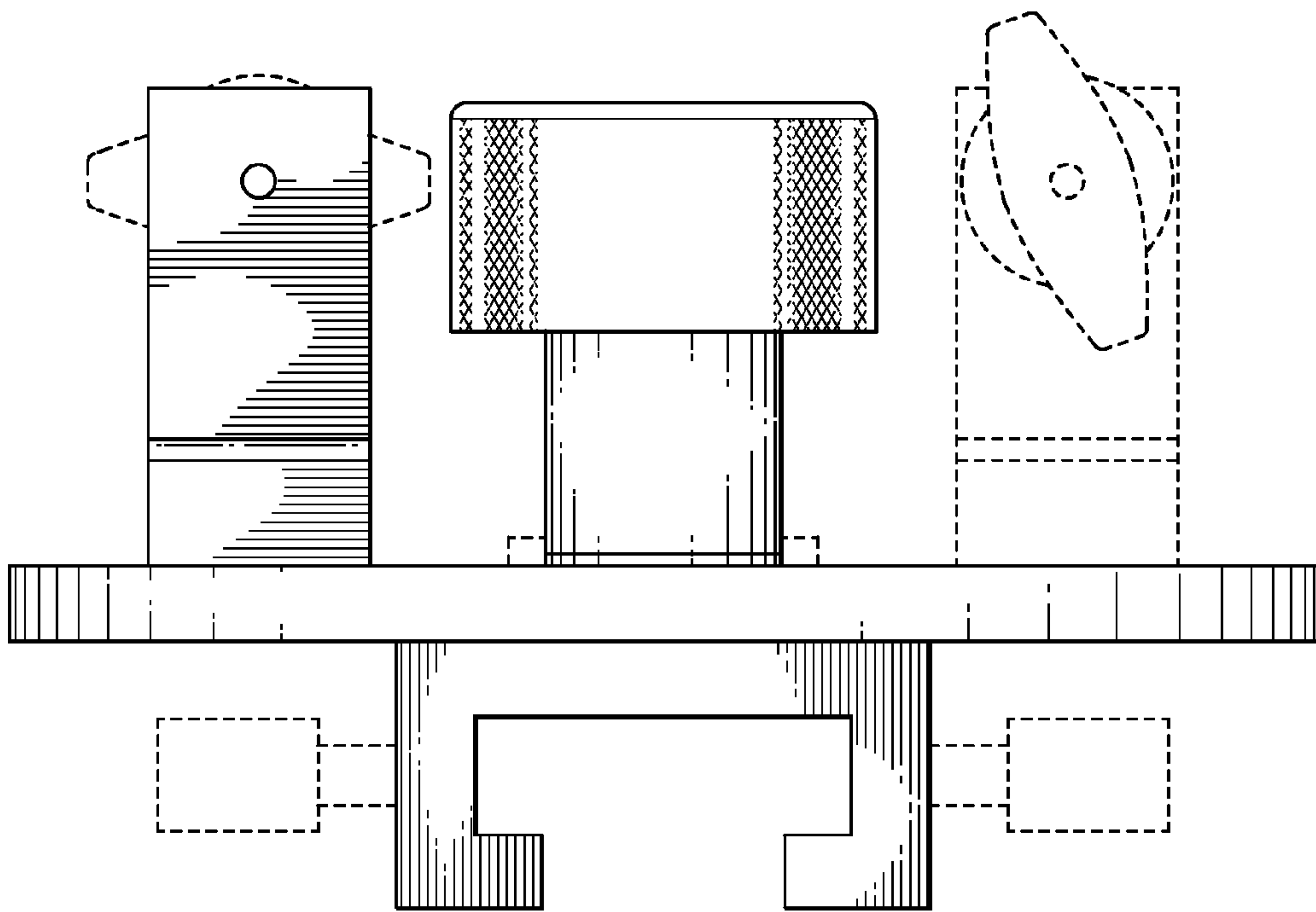


FIG. 4

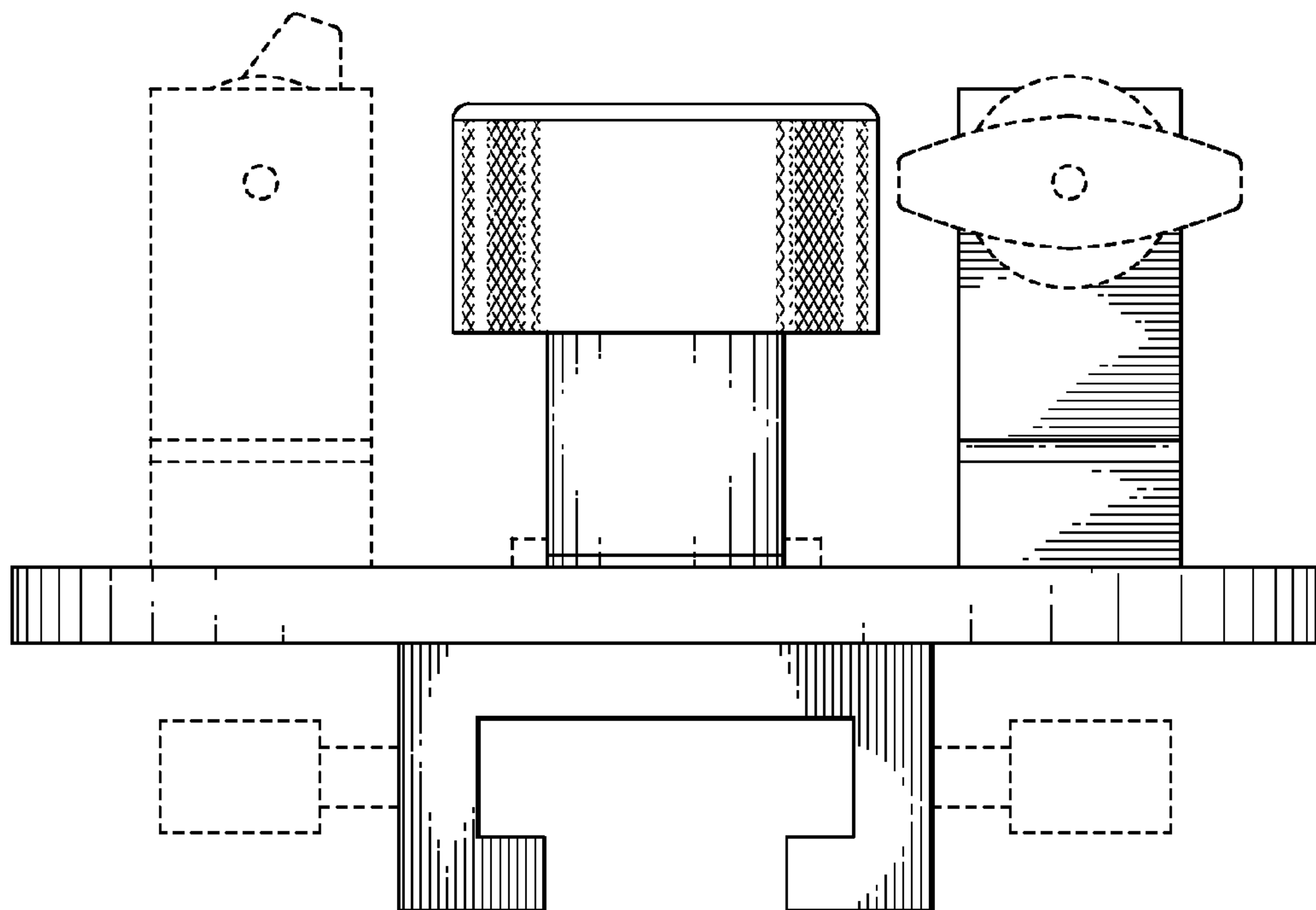


FIG. 5

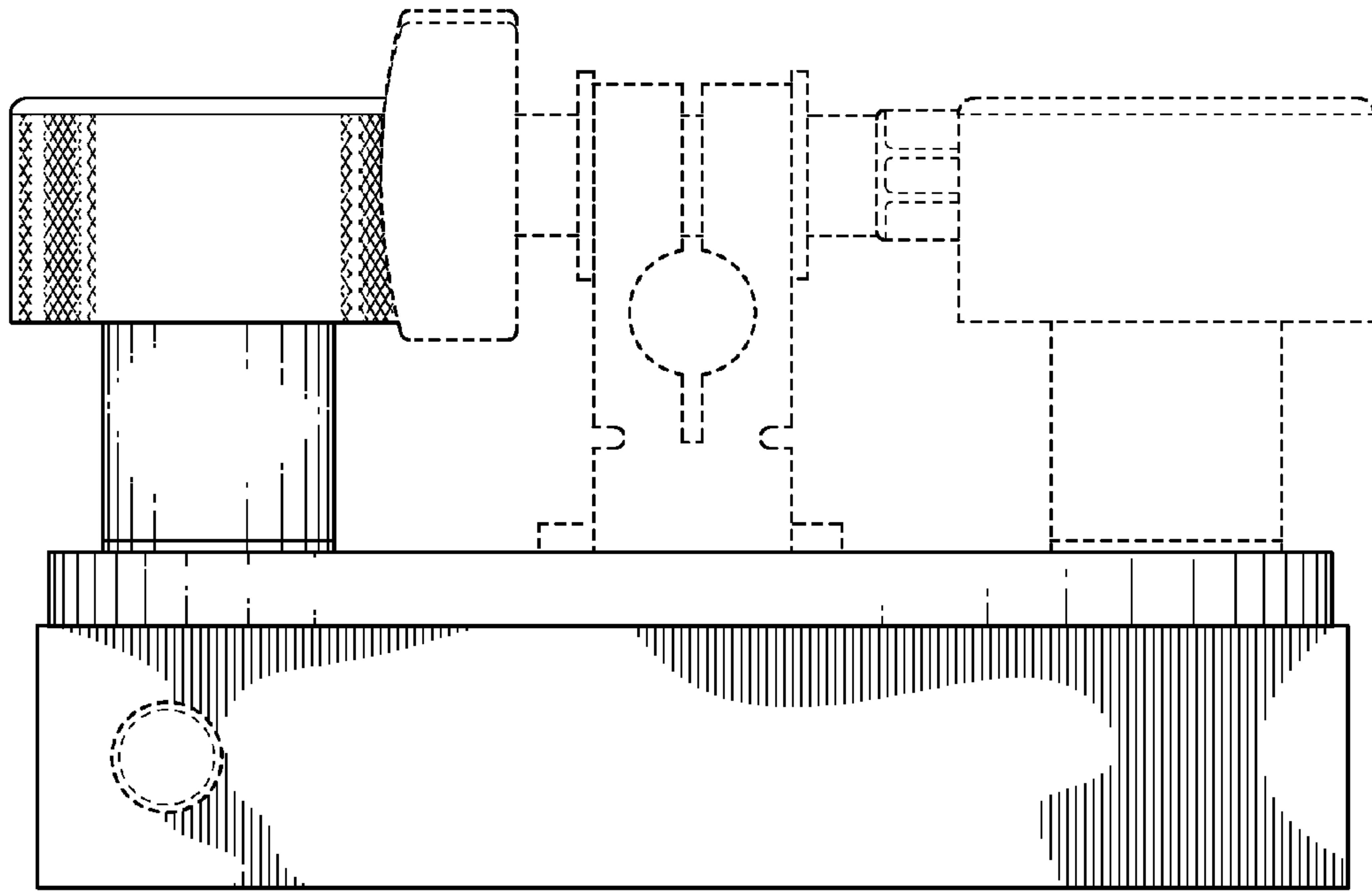


FIG. 6

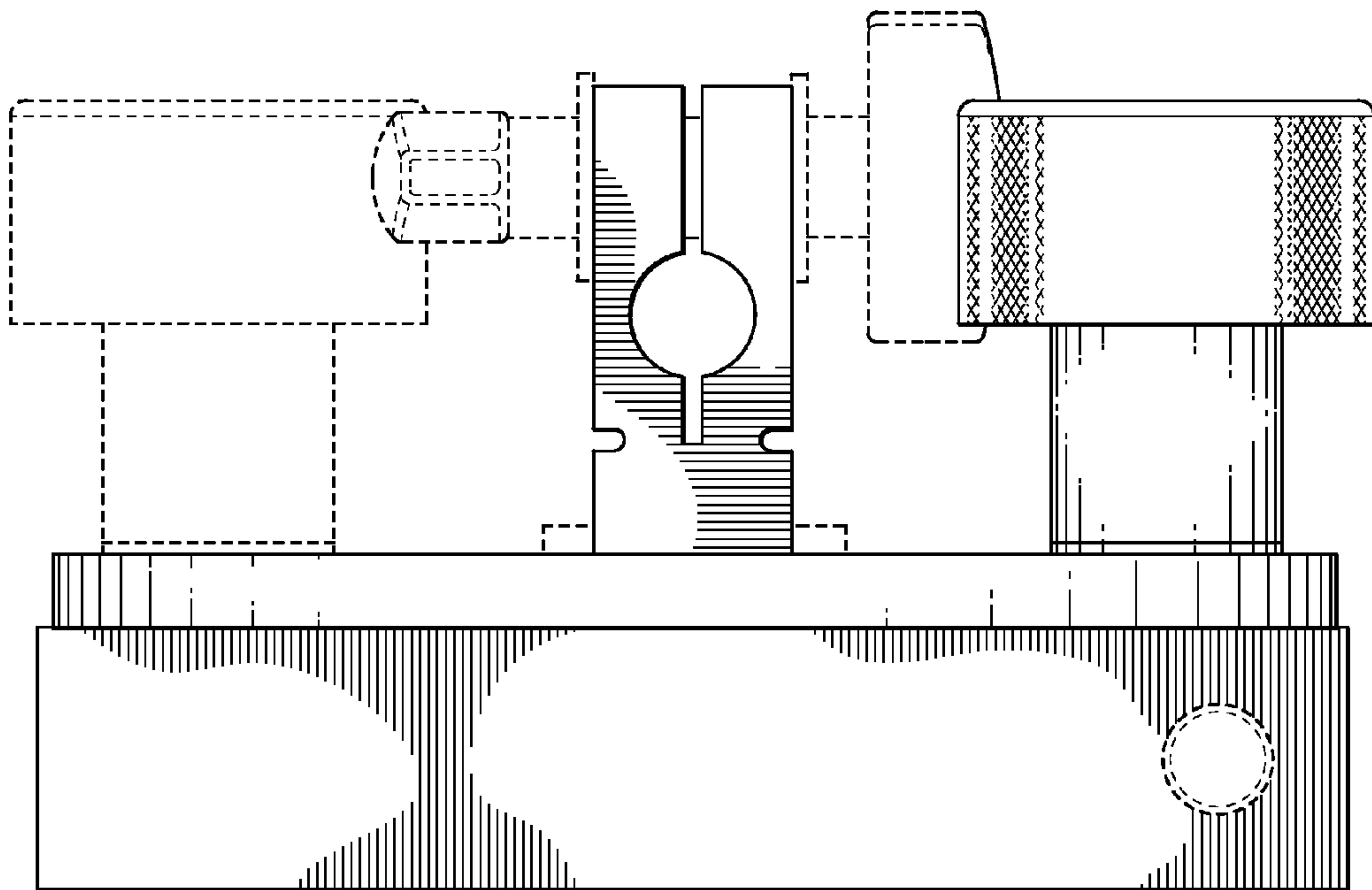


FIG. 7