



US00D696093S

(12) **United States Design Patent**  
**Mackay-Sim**

(10) **Patent No.:** **US D696,093 S**

(45) **Date of Patent:** **\*\* Dec. 24, 2013**

(54) **DEPTH LIMITING DEVICE FOR DRILLING TOOL**

(75) Inventor: **Fraser Mackay-Sim**, Eastern Creek (AU)

(73) Assignee: **Macsim Fastenings Pty Limited**, Eastern Creek NSW (AU)

(\*\*) Term: **14 Years**

(21) Appl. No.: **29/402,756**

(22) Filed: **Sep. 27, 2011**

(51) **LOC (9) Cl.** ..... **08-03**

(52) **U.S. Cl.**  
USPC ..... **D8/70**

(58) **Field of Classification Search**  
USPC ..... D8/70; D15/138, 140; 408/143, 144, 408/239 A, 239 R; 279/19.5; D24/140; D10/65, 70

See application file for complete search history.

(56) **References Cited**

**U.S. PATENT DOCUMENTS**

D254,074 S *	1/1980	Ringle	.....	D15/138
D264,930 S *	6/1982	Lindsay	.....	D8/70
D291,528 S *	8/1987	Degen	.....	D8/71
D322,017 S *	12/1991	Van Allman et al.	.....	D8/70
D424,075 S *	5/2000	Streich	.....	D15/140
6,244,796 B1 *	6/2001	Schuebel et al.	.....	409/180
D488,696 S *	4/2004	Merritt	.....	D8/70

D499,002 S *	11/2004	Troxell	.....	D8/70
7,108,464 B2 *	9/2006	Cooper et al.	.....	409/182
7,258,513 B2 *	8/2007	Gertner	.....	408/67
7,334,614 B2 *	2/2008	Cooper et al.	.....	144/136.95
D632,941 S *	2/2011	Noniewicz	.....	D8/70
D667,953 S *	9/2012	Wright et al.	.....	D24/140

**OTHER PUBLICATIONS**

Robert Bosch Tool Corporation. Dremel 565 Multipurpose Cutting Kit. Dremel Cutting Guide Inst. Mar. 17, 2004 [online], [retrieved on Oct. 15, 2012]. Retrieved from the Internet <URL: <http://www.dremel.com/en-us/customerservice/manualsandliterature/Pages/default.aspx>>.\*

\* cited by examiner

*Primary Examiner* — Philip S Hyder

*Assistant Examiner* — Darlington Ly

(74) *Attorney, Agent, or Firm* — McDonald Hopkins LLC

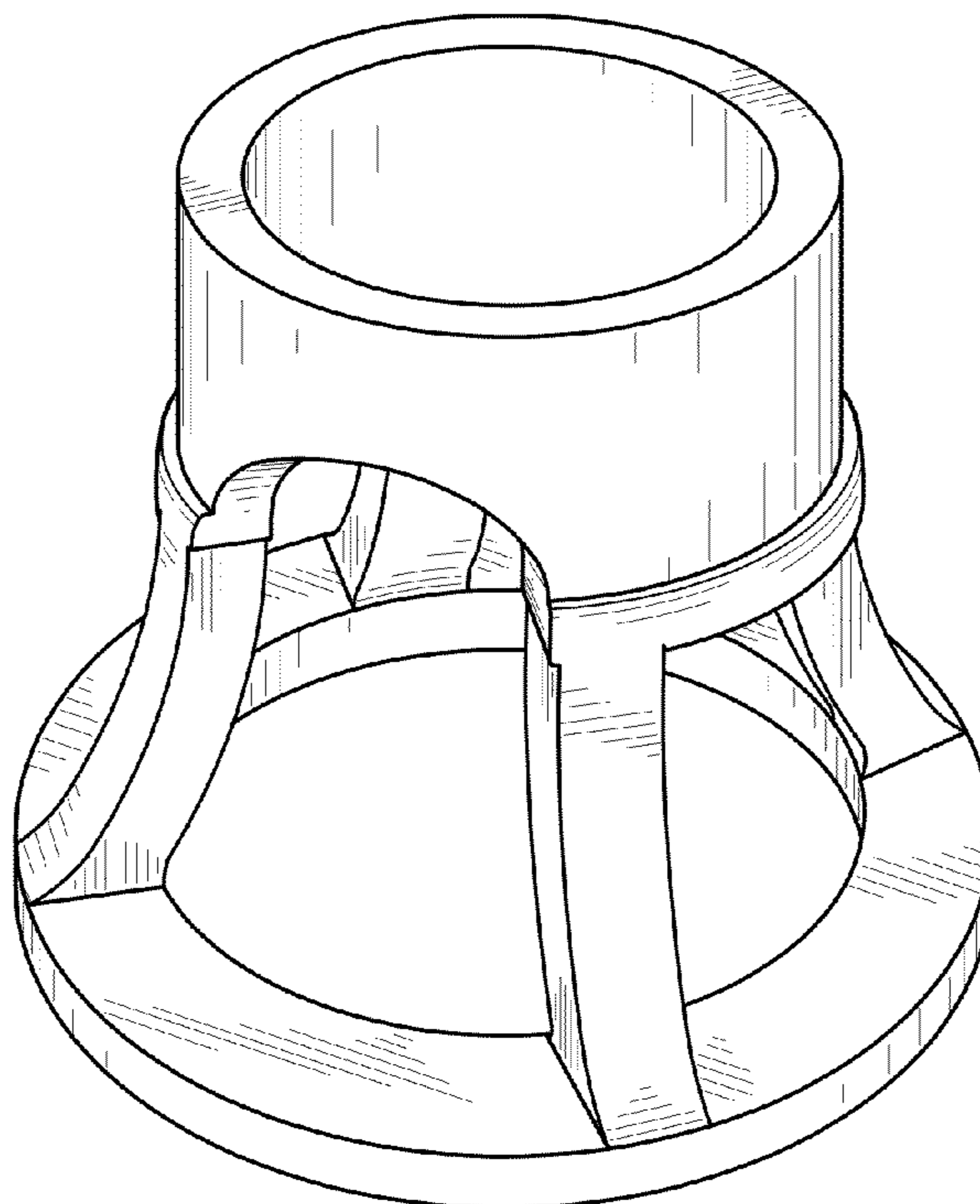
(57) **CLAIM**

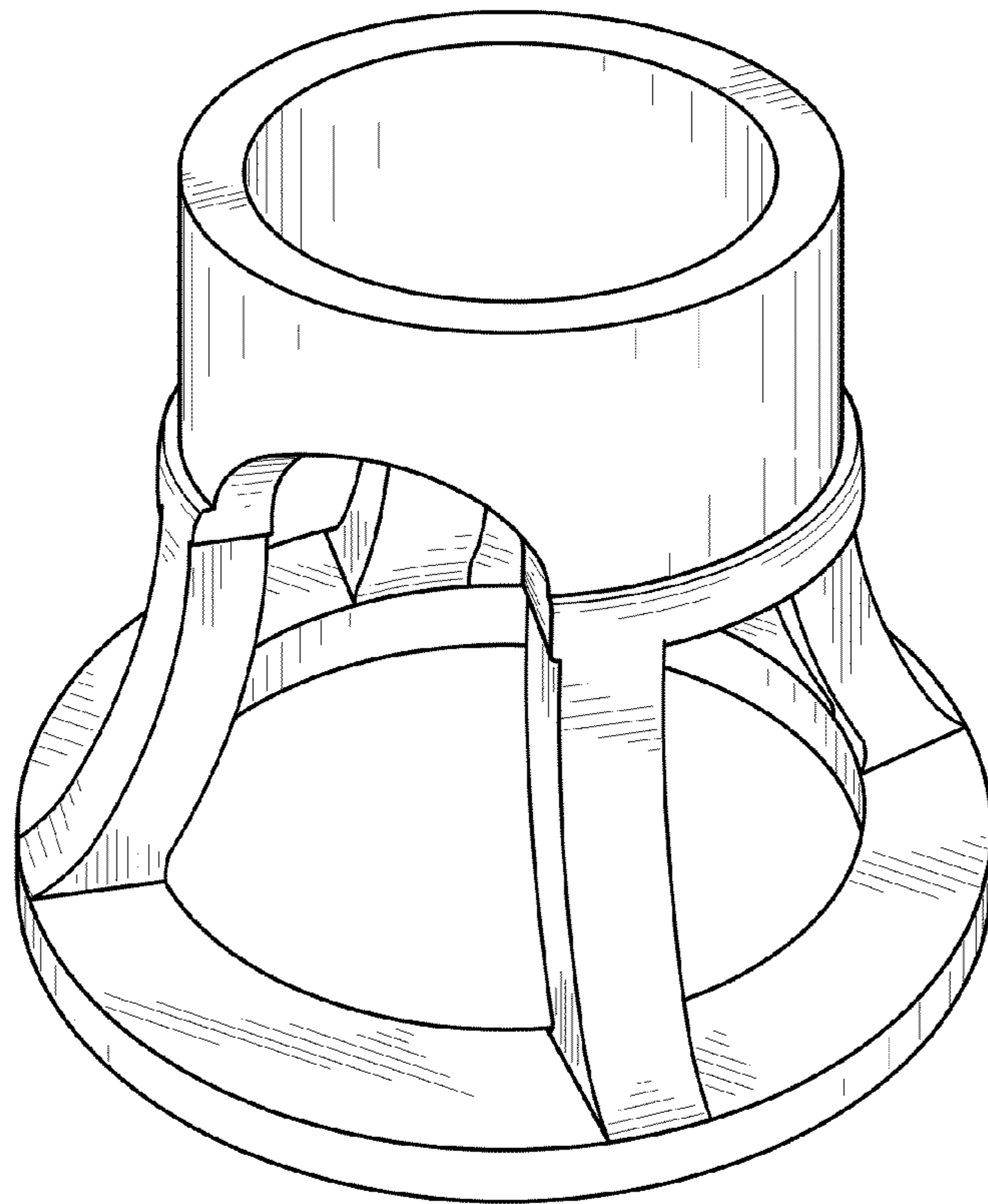
The ornamental design for a depth limiting device for drilling tool, as shown and described.

**DESCRIPTION**

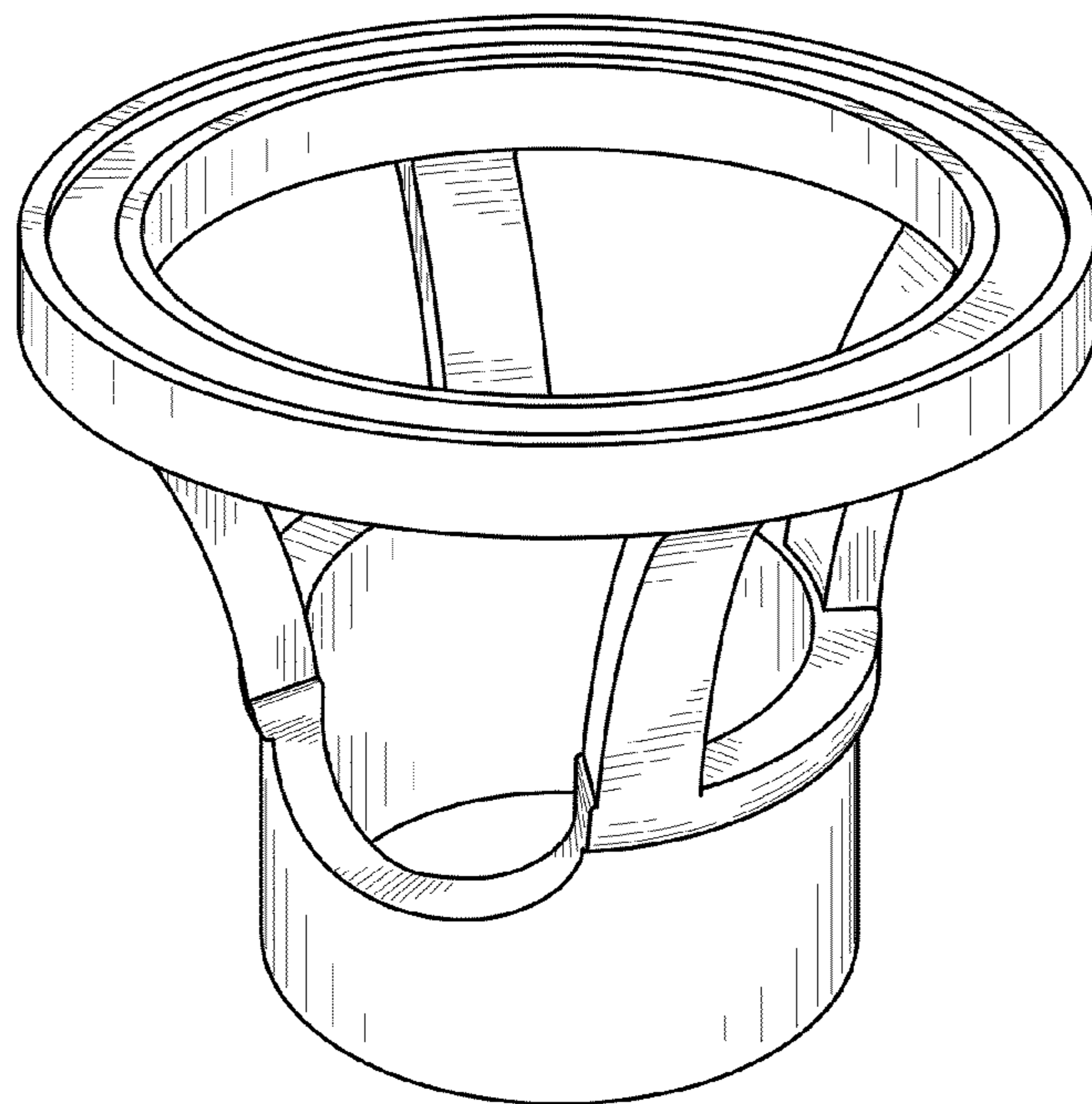
FIG. 1 is a top perspective of a depth limiting device for drilling tool showing my new design;  
FIG. 2 is a bottom perspective view thereof;  
FIG. 3 is a top view thereof;  
FIG. 4 is a bottom view thereof;  
FIG. 5 is front elevation view thereof;  
FIG. 6 is a rear view thereof;  
FIG. 7 is a first side view thereof; and,  
FIG. 8 is a second side view thereof.

**1 Claim, 4 Drawing Sheets**

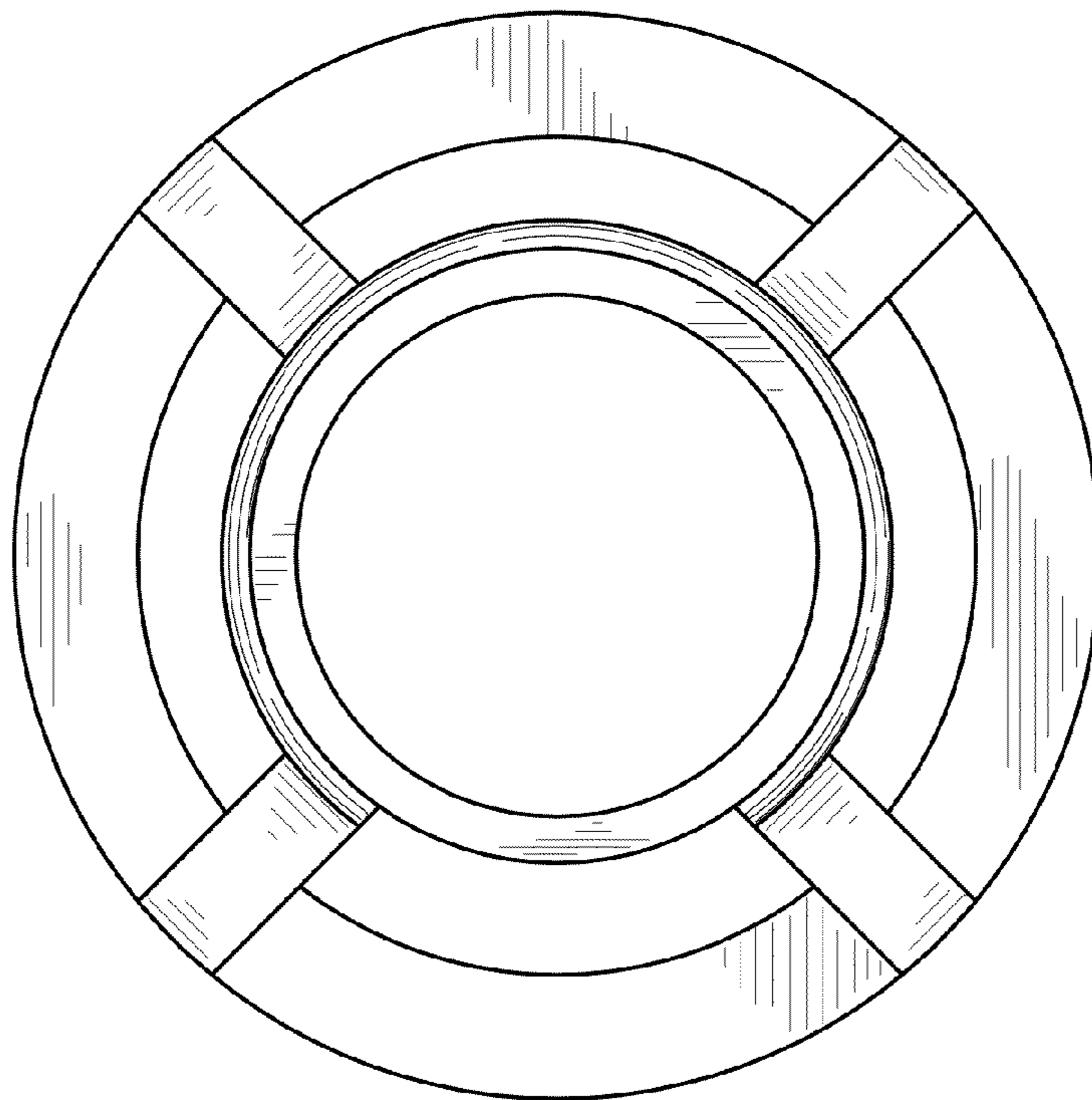




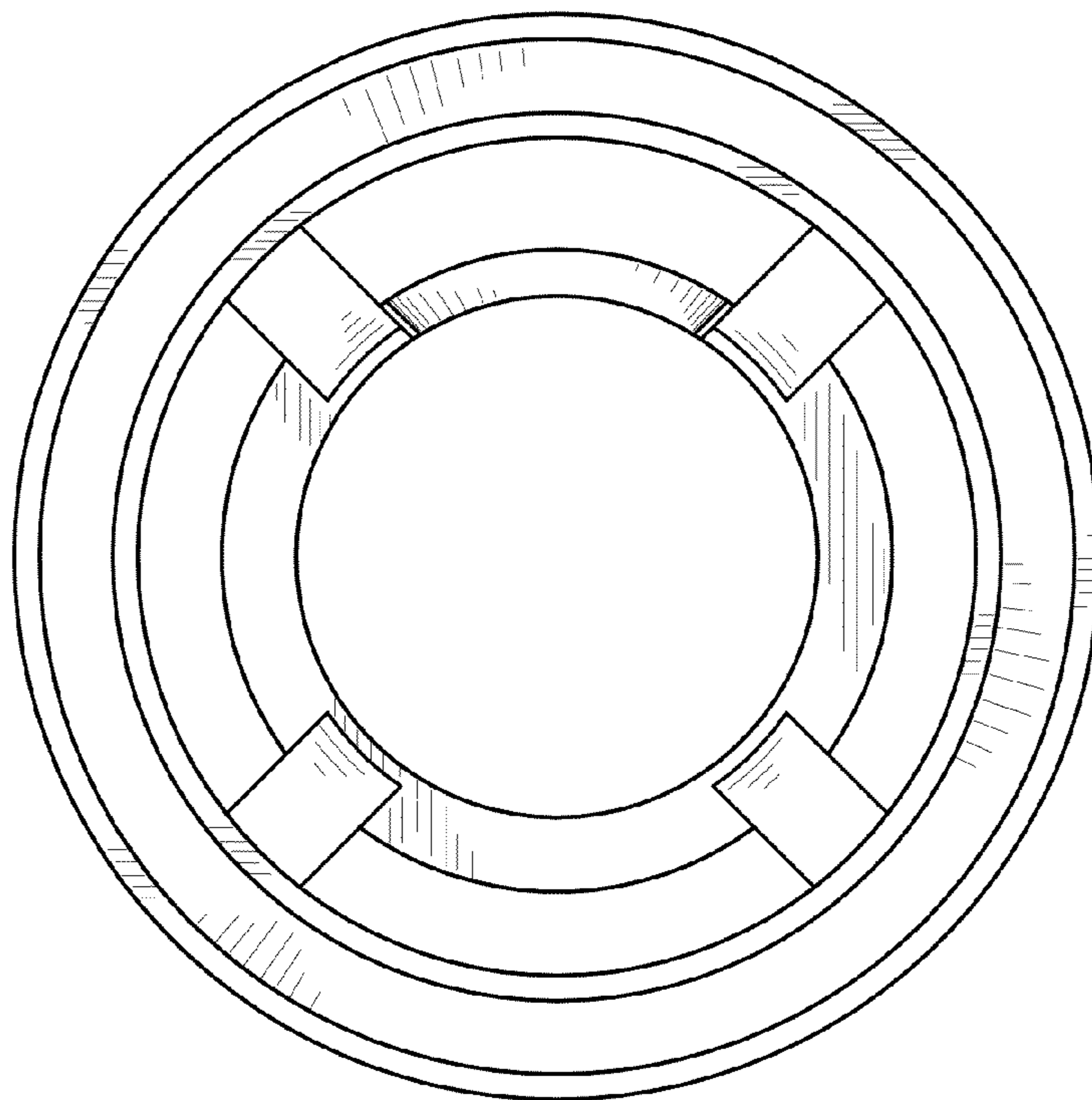
**Fig. 1**



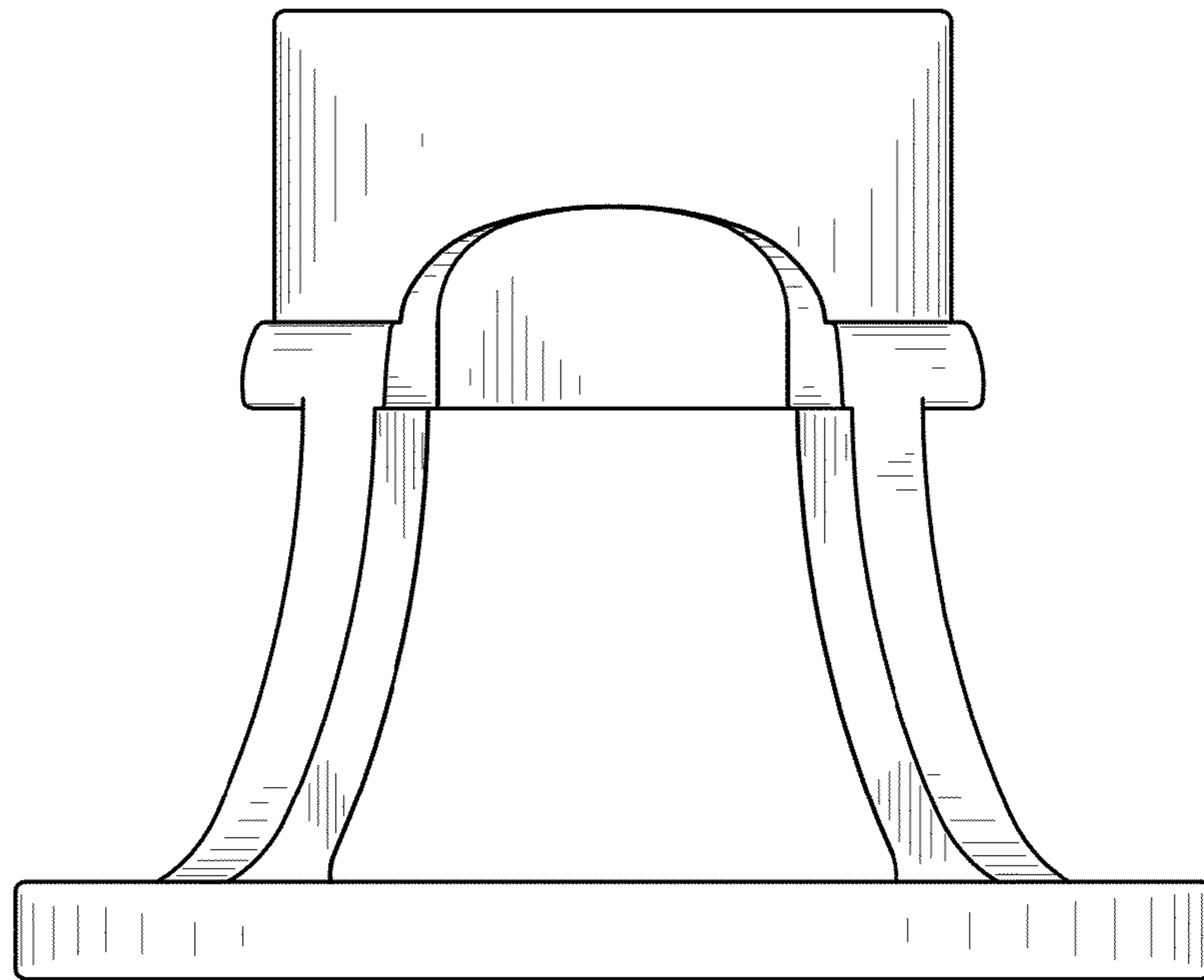
**Fig. 2**



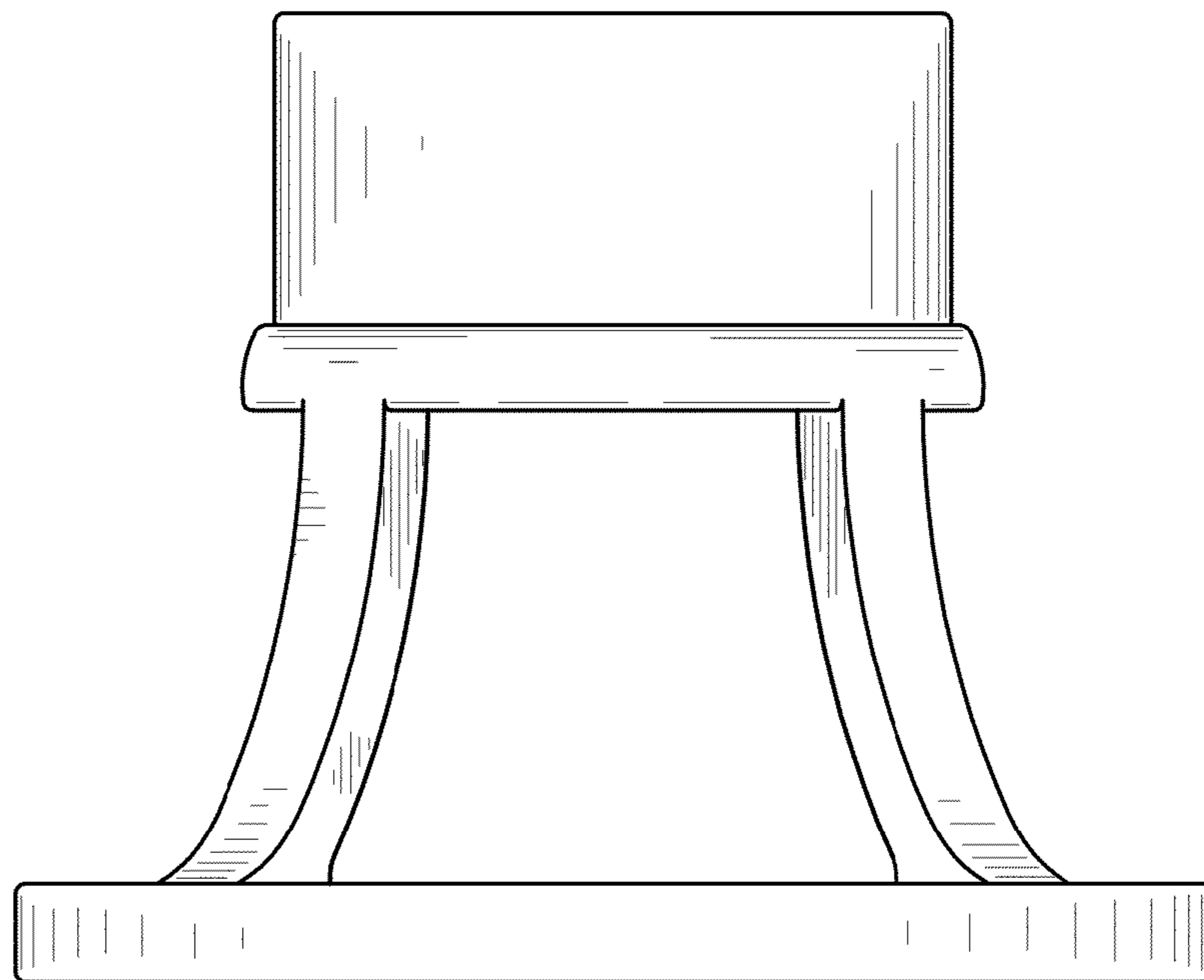
**Fig. 3**



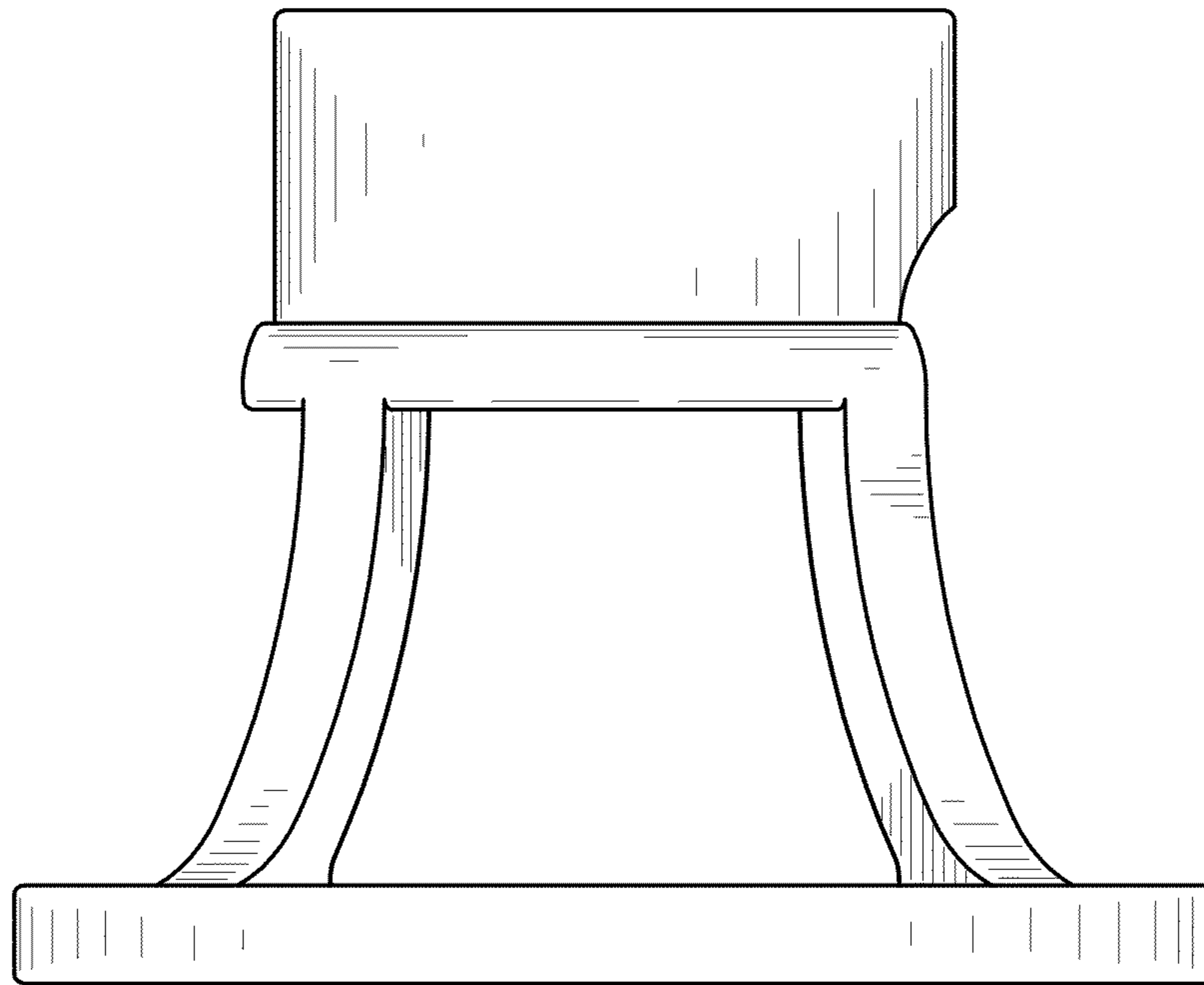
**Fig. 4**



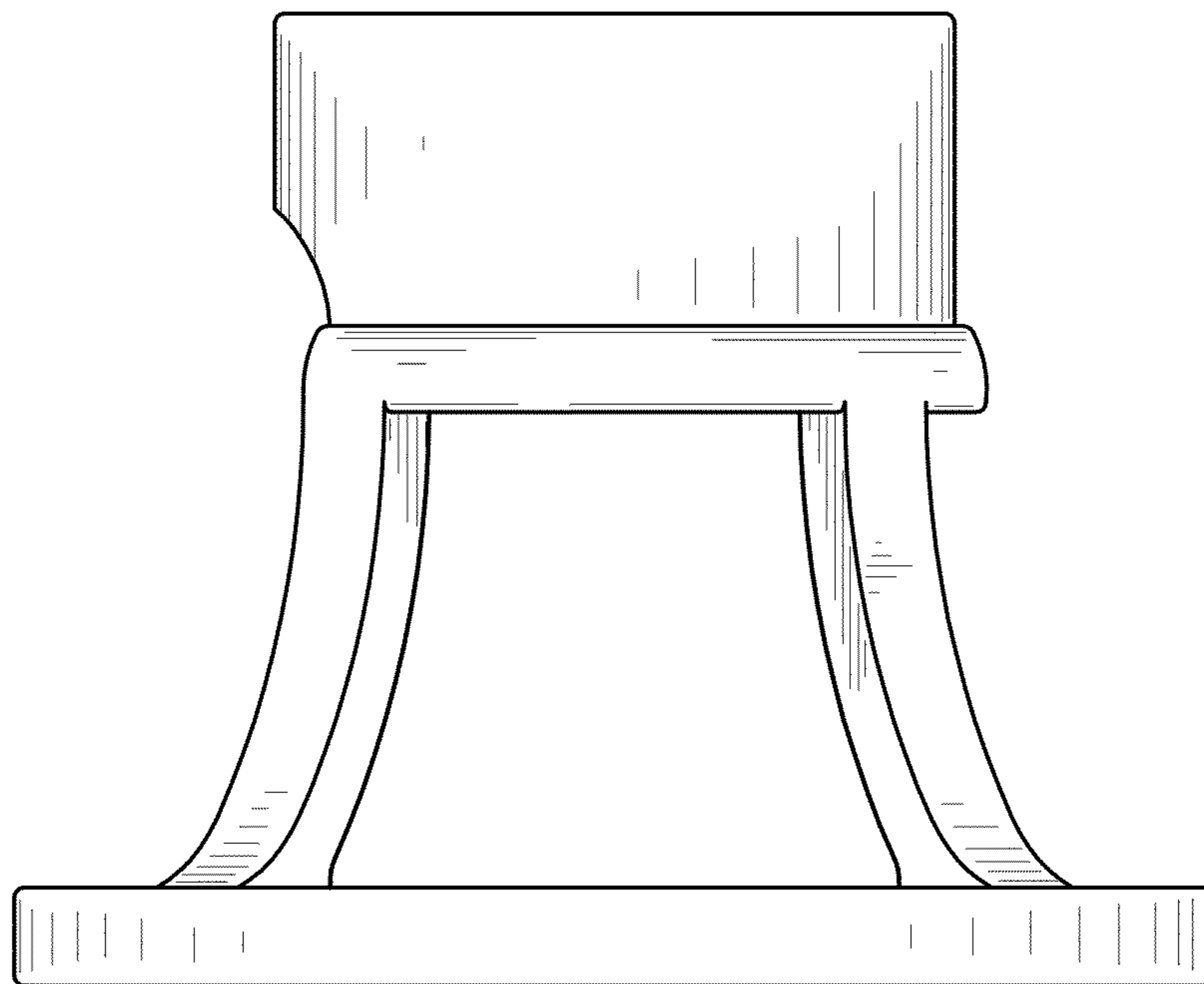
**Fig. 5**



**Fig. 6**



**Fig. 7**



**Fig. 8**