

US00D696091S

(12) **United States Design Patent**
Yaschur

(10) **Patent No.:** **US D696,091 S**
(45) **Date of Patent:** **** Dec. 24, 2013**

- (54) **HAND-HELD POWER TOOL**
- (71) Applicant: **Ingersoll-Rand Company**, Davidson, NC (US)
- (72) Inventor: **Jefferey Clifford Yaschur**, Doylestown, PA (US)
- (73) Assignee: **Ingersoll-Rand Company**, Davidson, NC (US)
- (**) Term: **14 Years**

D465,981 S *	11/2002	Bass et al.	D8/62
D468,605 S	1/2003	Morgan		
D468,606 S *	1/2003	Morgan	D8/61
D468,607 S	1/2003	Price et al.		
D471,069 S *	3/2003	Price et al.	D8/61
6,644,419 B1	11/2003	Chen		
D484,379 S	12/2003	Chen		
D484,380 S	12/2003	Chen		
D492,561 S	7/2004	Chen		
D492,562 S	7/2004	Chen		
D498,398 S	11/2004	Chen		
D525,498 S	7/2006	Chen		
D525,500 S	7/2006	Chen		

(Continued)

- (21) Appl. No.: **29/452,088**
- (22) Filed: **Apr. 11, 2013**

Related U.S. Application Data

- (62) Division of application No. 29/423,002, filed on May 25, 2012, now Pat. No. Des. 682,648.
- (51) **LOC (9) Cl.** **08-01**
- (52) **U.S. Cl.**
USPC **D8/61**
- (58) **Field of Classification Search**
USPC D8/61, 62, 67, 69; 81/57, 57.11, 57.14, 81/57.26, 429, 464, 469; 173/2, 170, 176, 173/181

See application file for complete search history.

(56) **References Cited**

U.S. PATENT DOCUMENTS

D320,540 S	10/1991	Staubitz et al.		
D347,372 S	5/1994	Ghode et al.		
D379,909 S	6/1997	Hawkins		
D408,243 S	4/1999	Izumisawa		
D432,379 S	10/2000	Sun		
D440,848 S	4/2001	Izumisawa		
D446,433 S	8/2001	Bass et al.		
D449,212 S *	10/2001	Price et al.	D8/107
D456,683 S	5/2002	Chen		

OTHER PUBLICATIONS

Industrial Surface Preparation, Product Listing and Description, Ingersoll Rand Industrial Technologies, © 2010 Ingersoll-Rand Company Limited, 63 pages.

Primary Examiner — Austin Murphy

(74) *Attorney, Agent, or Firm* — Myers Bigel Sibley & Sajovec, P.A.

(57) **CLAIM**

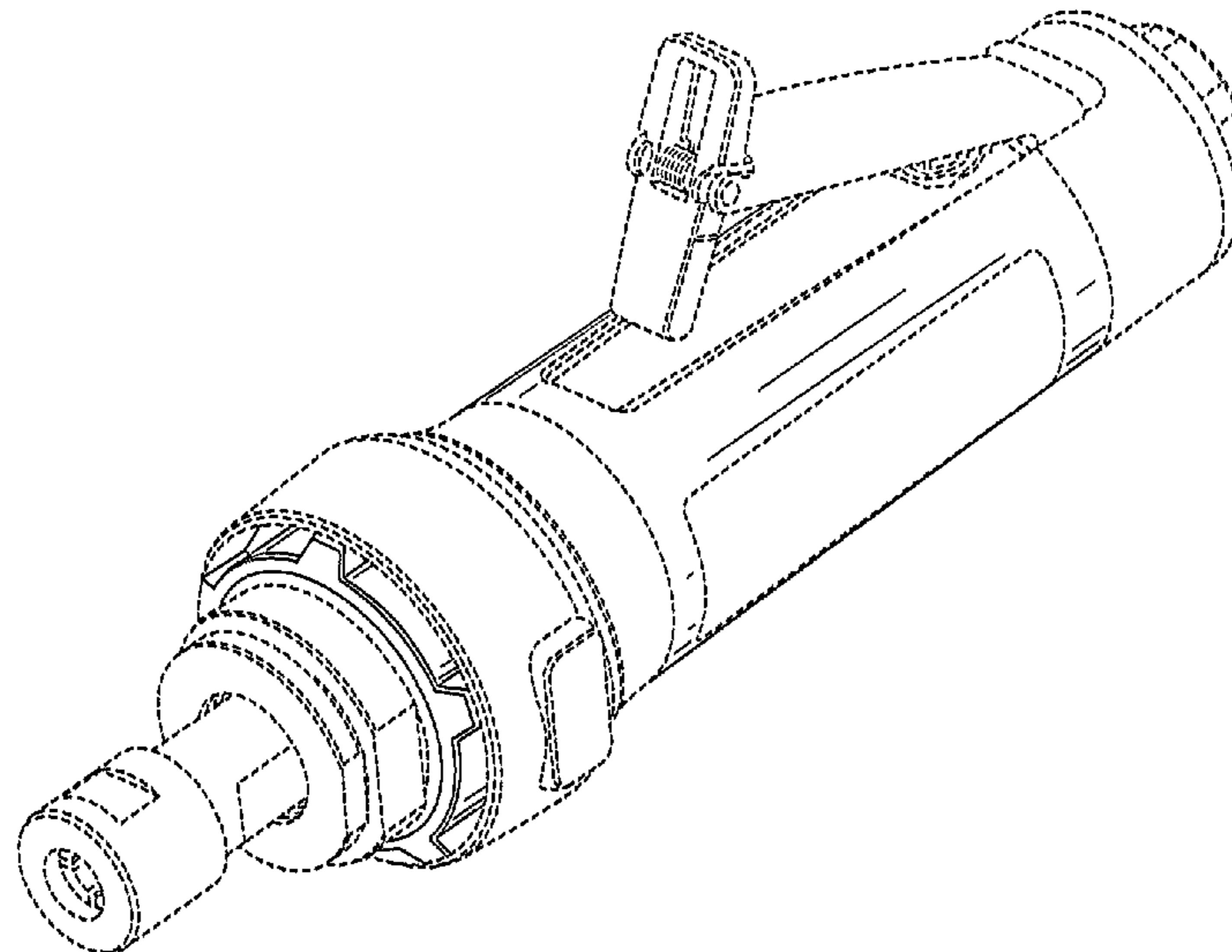
The ornamental design for a hand-held power tool, as shown and described.

DESCRIPTION

FIG. 1 is a front perspective view of a hand-held power tool; FIG. 2 is a rear perspective view thereof; FIG. 3 is a side view thereof; FIG. 4 is an opposing side view thereof; FIG. 5 is a top plan view thereof; FIG. 6 is a bottom view thereof; FIG. 7 is a front end view thereof; and, FIG. 8 is rear end view thereof.

The broken lines shown herein are for illustrative purposes only and form no part of the claimed design.

1 Claim, 8 Drawing Sheets



(56)

References Cited

U.S. PATENT DOCUMENTS

7,207,394 B2	4/2007	Young		
7,238,095 B1 *	7/2007	Sun et al.	451/344	
D565,915 S	4/2008	Su		
D565,916 S	4/2008	Chen		
D568,131 S	5/2008	Huguet et al.		
D569,205 S	5/2008	Lai		
7,401,662 B2 *	7/2008	Honsa	173/211	
D583,209 S	12/2008	Shyeh		
D590,679 S	4/2009	Enriquez et al.		
8,074,736 B2	12/2011	Sun et al.		
D682,647 S *	5/2013	Yaschur	D8/61	
D682,648 S *	5/2013	Yaschur	D8/61	
2003/0047333 A1 *	3/2003	Izumisawa	173/169	
2008/0029281 A1 *	2/2008	Sun et al.	173/104	
2011/0036606 A1 *	2/2011	Young et al.	173/104	

* cited by examiner

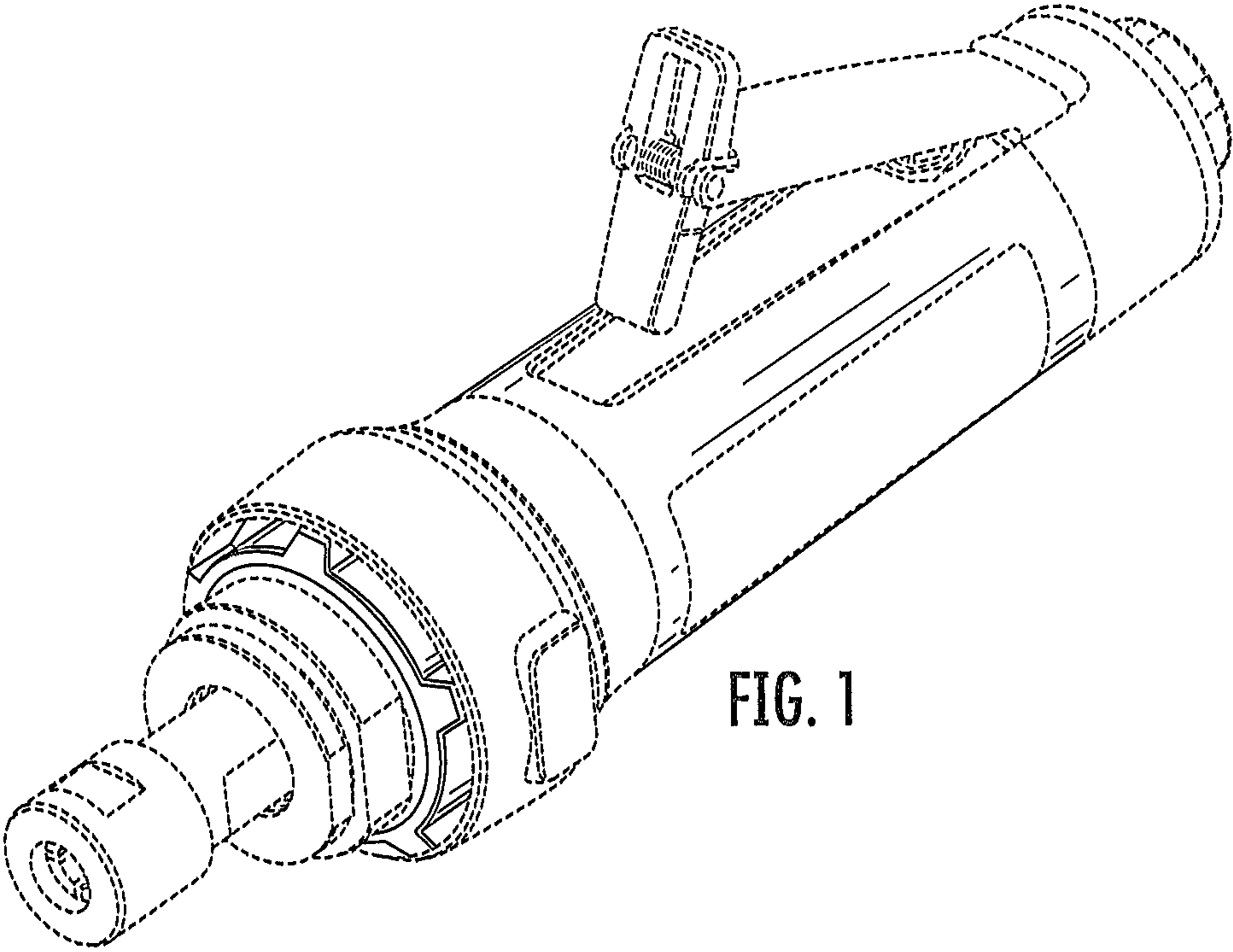


FIG. 1

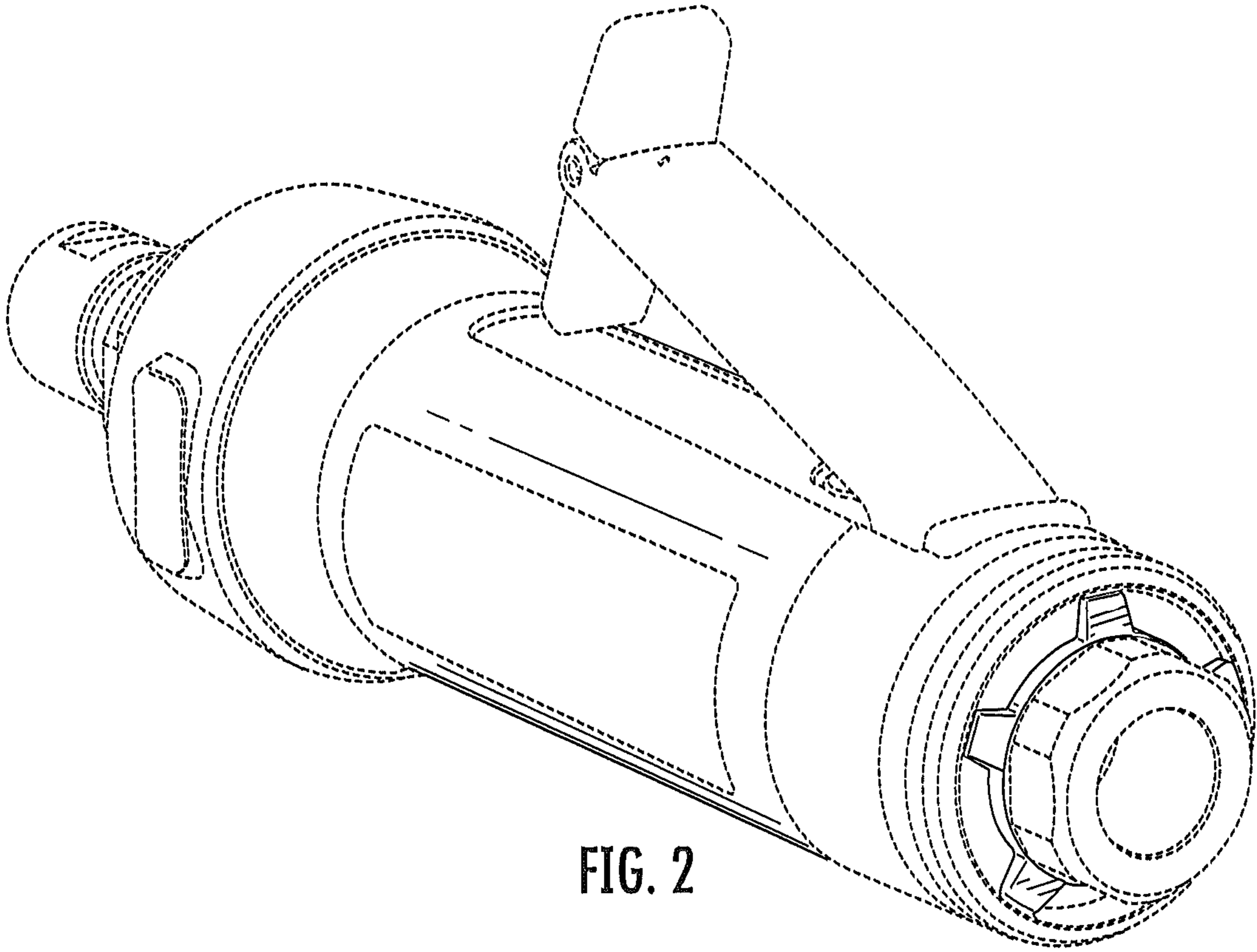


FIG. 2

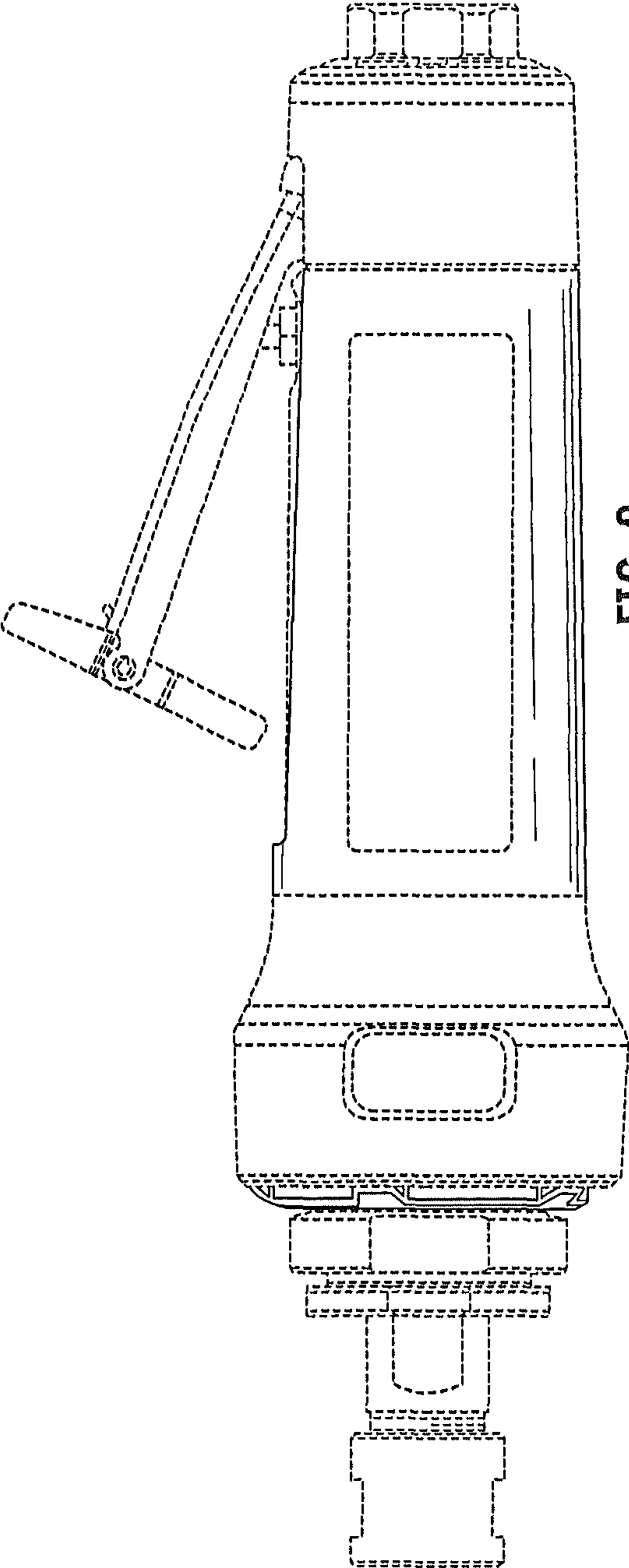


FIG. 3

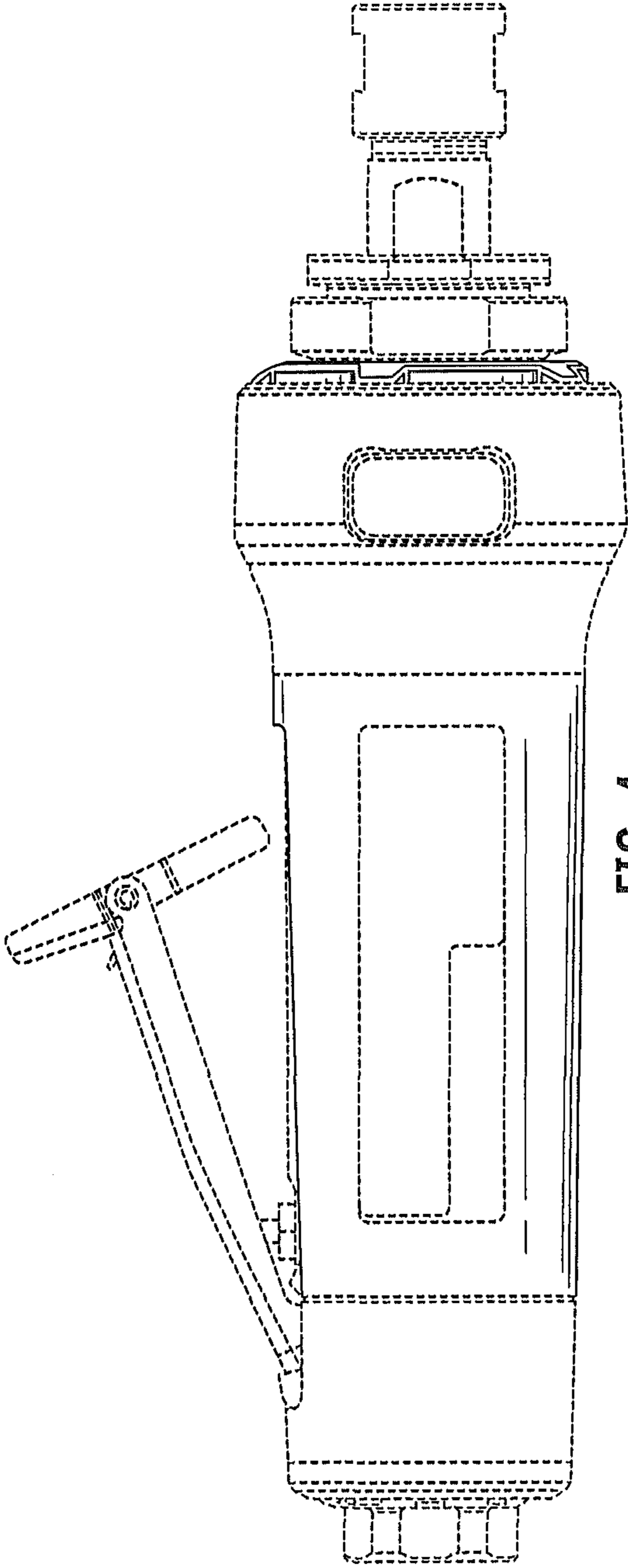


FIG. 4

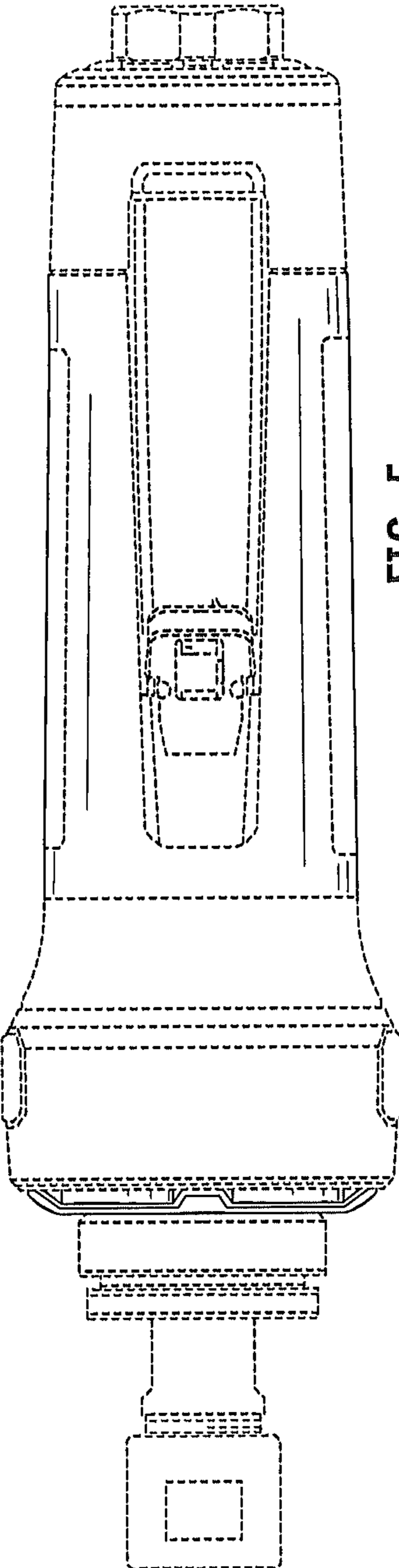


FIG. 5

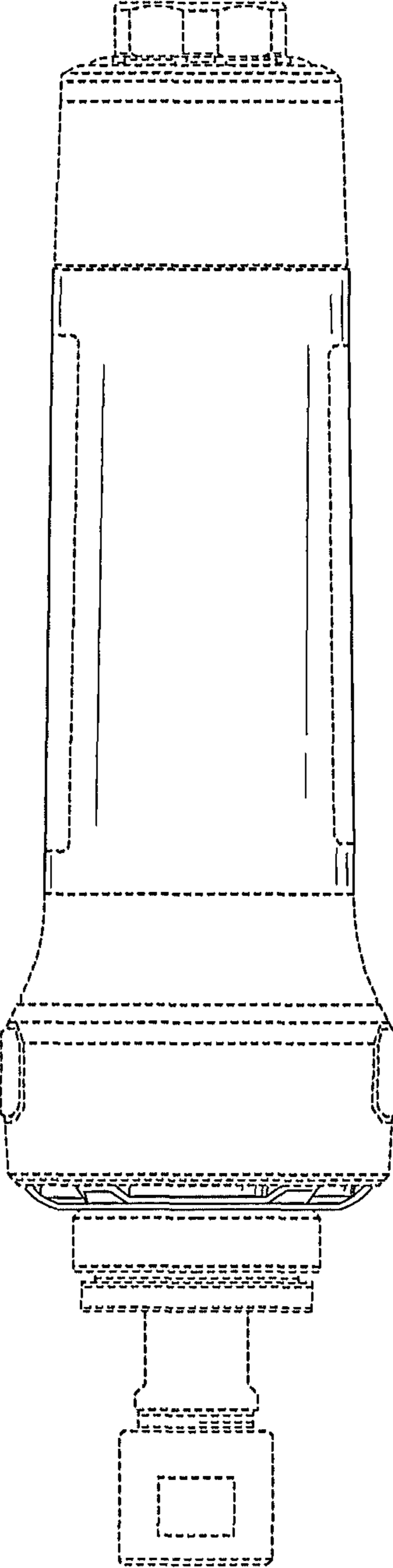


FIG. 6

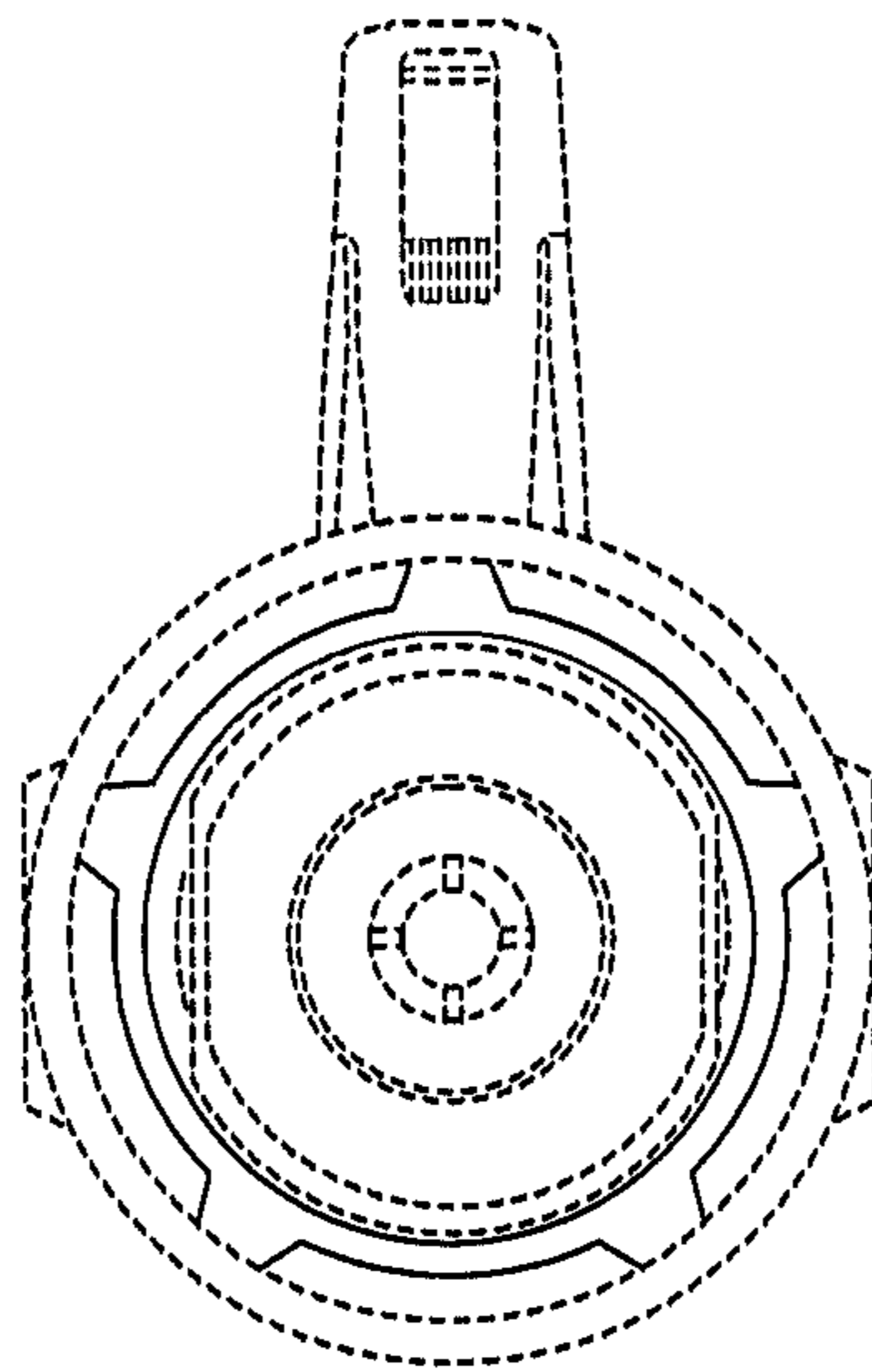


FIG. 7

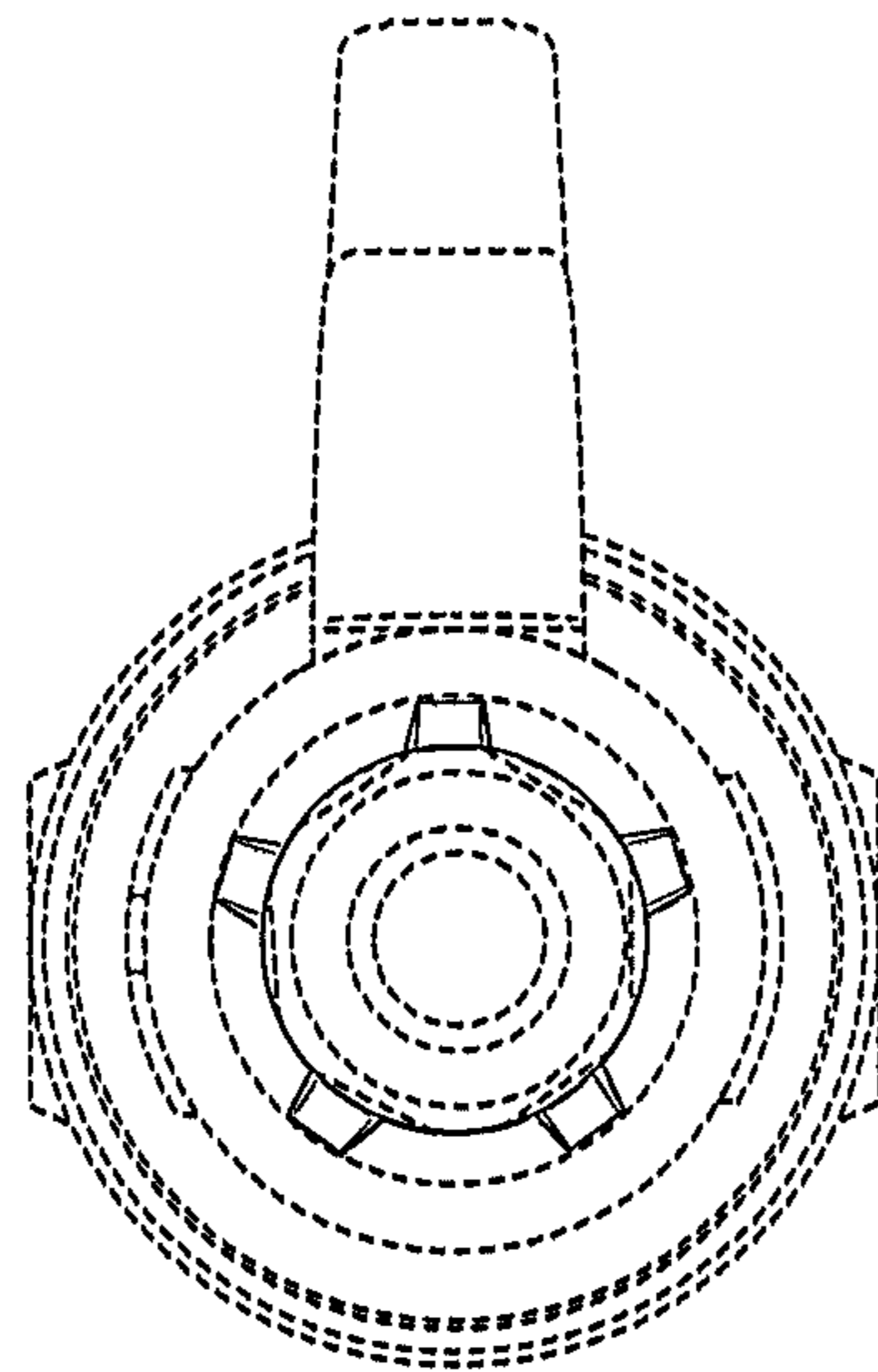


FIG. 8