



US00D696090S

(12) **United States Design Patent**  
**Takeshima et al.**

(10) **Patent No.:** **US D696,090 S**  
(45) **Date of Patent:** **\*\* Dec. 24, 2013**

(54) **BATTERY OPERATED OIL HYDRAULIC CRIMPING TOOL AND MIDDLE PORTION OF THE SAME**

(71) Applicants: **Masafumi Takeshima**, Matsumoto (JP);  
**Masaki Miyazawa**, Matsumoto (JP)

(72) Inventors: **Masafumi Takeshima**, Matsumoto (JP);  
**Masaki Miyazawa**, Matsumoto (JP)

(73) Assignee: **Izumi Products Company**,  
Matsumoto-shi, Nagano (JP)

(\*\*) Term: **14 Years**

(21) Appl. No.: **29/432,665**

(22) Filed: **Sep. 18, 2012**

**Related U.S. Application Data**

(62) Division of application No. 29/358,896, filed on Apr. 1, 2010, now Pat. No. Des. 673,829.

(30) **Foreign Application Priority Data**

Oct. 2, 2009 (JP) ..... 2009-023046  
Oct. 2, 2009 (JP) ..... 2009-023047

(51) **LOC (9) Cl.** ..... **08-01**

(52) **U.S. Cl.**  
USPC ..... **D8/61**

(58) **Field of Classification Search**  
USPC ..... D8/61, 62, 67, 69; 81/57, 57.11, 57.14,  
81/57.26, 429, 464, 469; 173/2, 170, 176,  
173/181

See application file for complete search history.

(56) **References Cited**

**U.S. PATENT DOCUMENTS**

D405,233 S 2/1999 Hirabayashi et al.  
6,446,482 B1 9/2002 Heskey et al.  
6,769,173 B2 8/2004 Chadbourne

6,990,888 B2 1/2006 Harwath et al.  
7,107,812 B1 \* 9/2006 Patton et al. .... 72/392  
7,111,488 B2 9/2006 Lefavour  
D531,867 S 11/2006 Payne et al.  
7,254,982 B2 8/2007 Frenken  
D567,045 S 4/2008 Chen  
7,464,578 B2 \* 12/2008 Ayer et al. .... 72/453.15  
7,487,654 B2 2/2009 Lefavour et al.

(Continued)

*Primary Examiner* — Austin Murphy

(74) *Attorney, Agent, or Firm* — Merchant & Gould P.C.

(57) **CLAIM**

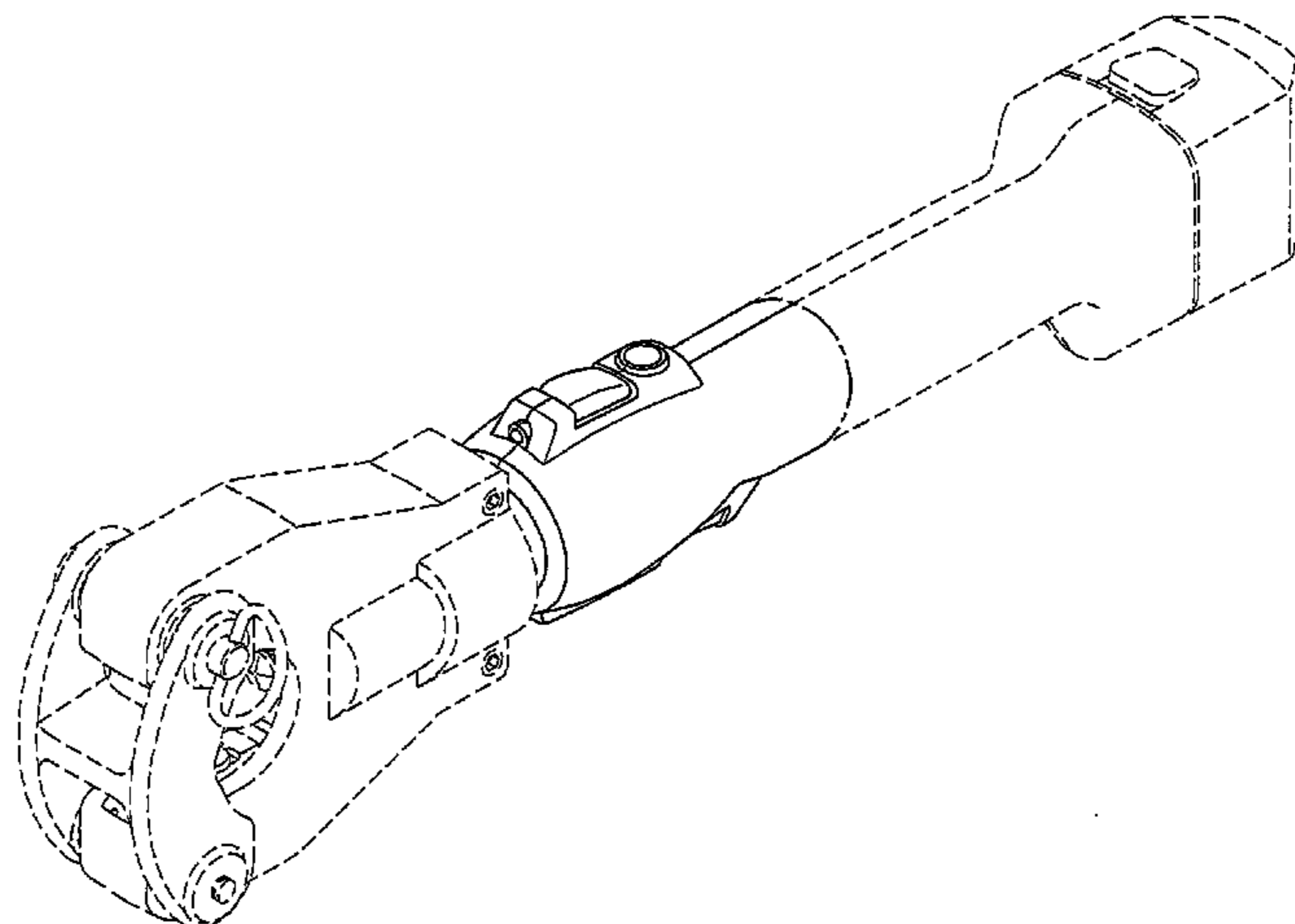
Ornamental designs for a battery operated oil hydraulic crimping tool and a middle portion of the same.

**DESCRIPTION**

FIG. 1 is a front elevation view of a middle portion of the battery operated oil hydraulic crimping tool, FIG. 2 is a rear elevation view thereof, FIG. 3 is a top plan view thereof, FIG. 4 is a bottom plan view thereof, FIG. 5 is a left elevation view thereof, FIG. 6 is a right elevation view thereof, FIG. 7 is a right elevation view of the middle portion of the battery operated oil hydraulic crimping tool when the battery operated oil hydraulic crimping tool is cut along A-A line in FIG. 1; and, FIG. 8 is a perspective view thereof. The broken line showing of the battery operated oil hydraulic crimping tool is included for the purpose of illustrating environmental structure and forms no part of the claimed design. The A arrows is included in FIG. 1 for the purpose of illustrating how the battery operated oil hydraulic crimping tool is seen in FIG. 7 and forms no part of the claimed design.

The battery operated oil hydraulic crimping tool is equipped with a rechargeable battery and used to hold and crimp a crimping terminal or sleeve with four dies coming close to one another with three of them stuck out inward on oil hydraulic pressure.

**1 Claim, 7 Drawing Sheets**



(56)

**References Cited**

U.S. PATENT DOCUMENTS

7,762,117 B2 7/2010 Faucher et al.  
7,788,962 B2\* 9/2010 Chiasson et al. .... 72/453.15  
7,841,223 B2 11/2010 Rollins et al.  
7,882,722 B2 2/2011 Lefavour et al.  
7,926,321 B2 4/2011 Rollins et al.

D657,220 S \* 4/2012 Isobe et al. .... D8/61  
D657,221 S 4/2012 Isobe et al.  
D663,181 S 7/2012 Zhou et al.  
D673,829 S \* 1/2013 Takeshima et al. .... D8/61  
2003/0010158 A1\* 1/2003 Listl et al. .... 81/57.13  
2003/0188566 A1\* 10/2003 Lefavour et al. .... 72/453.16  
2006/0000072 A1\* 1/2006 Frenken ..... 29/237  
2011/0108298 A1\* 5/2011 Zhou ..... 173/122

\* cited by examiner

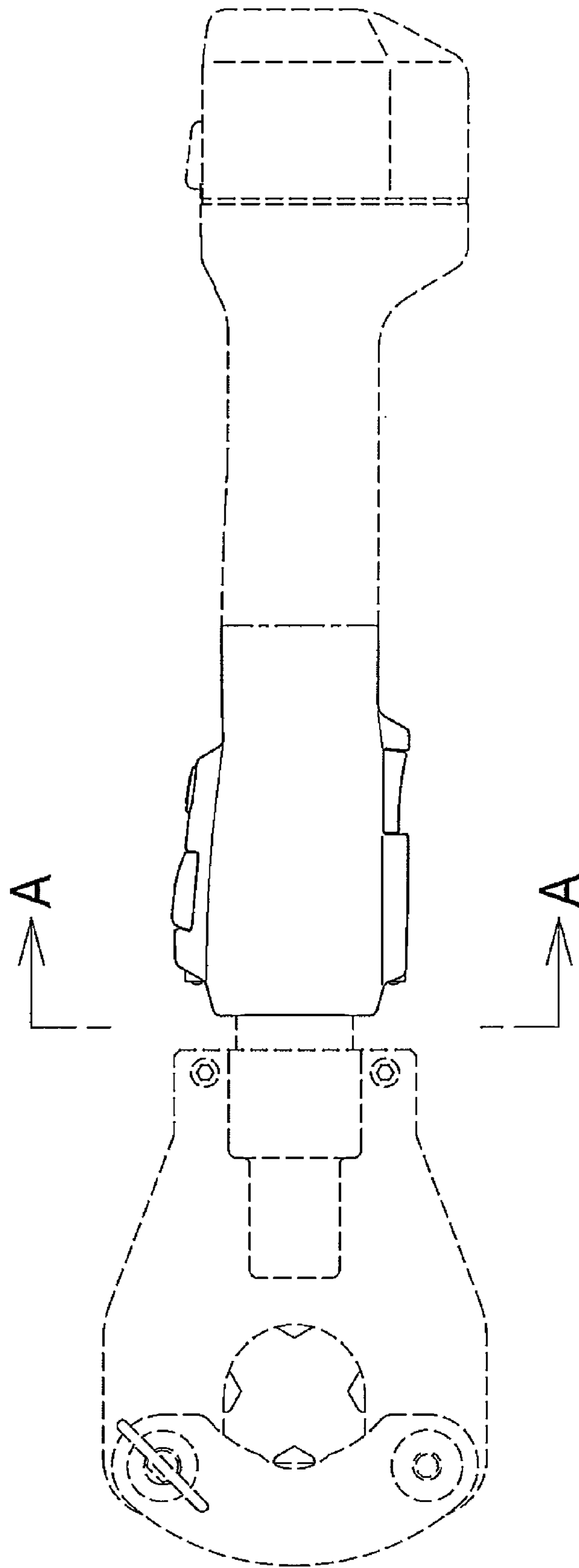


FIG. 1

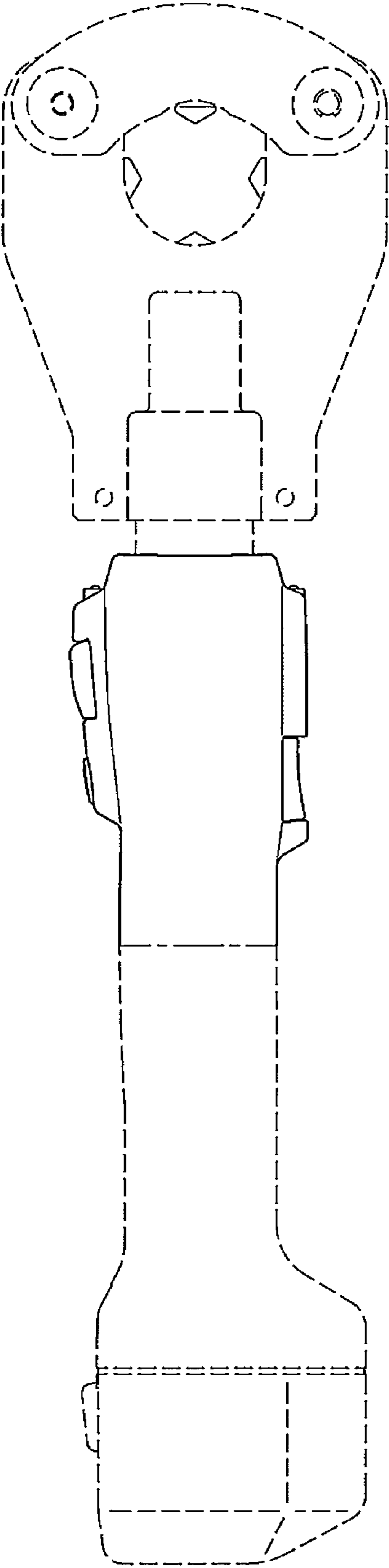


FIG. 2

FIG. 3

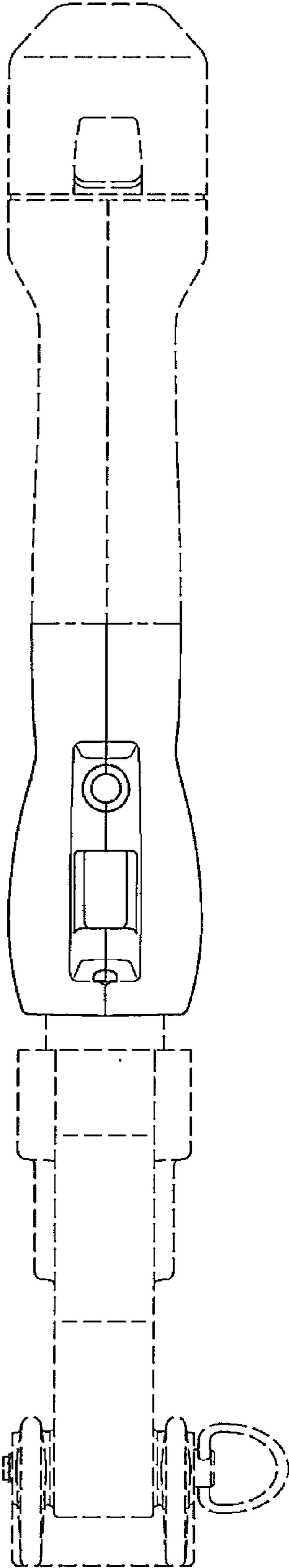
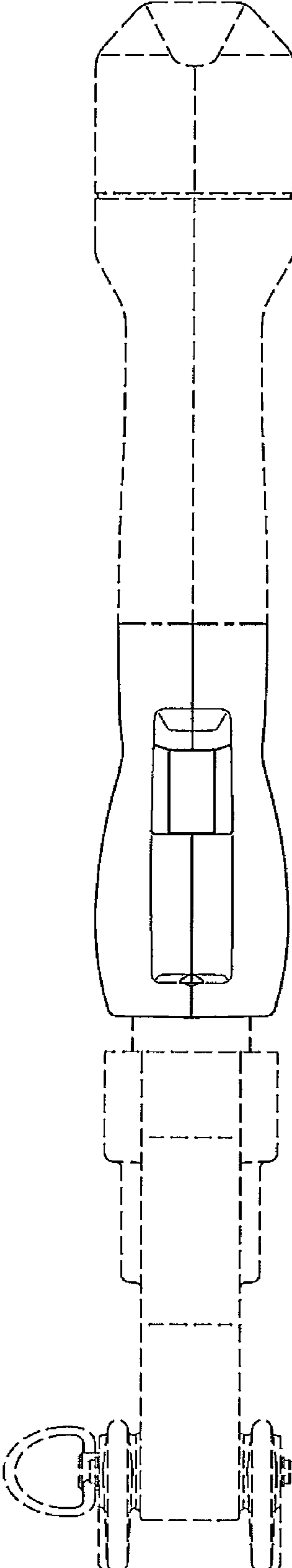


FIG. 4



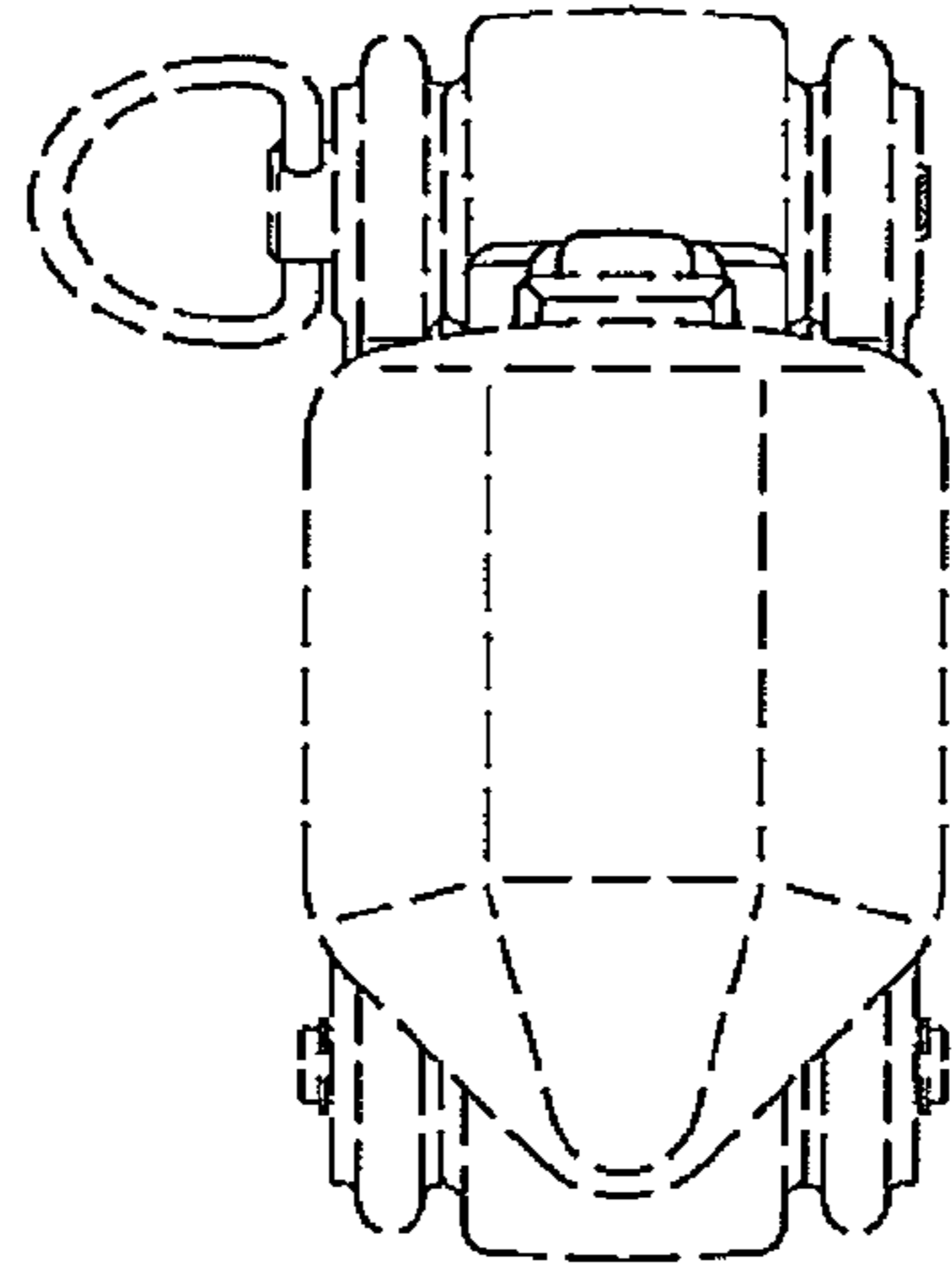


FIG. 5

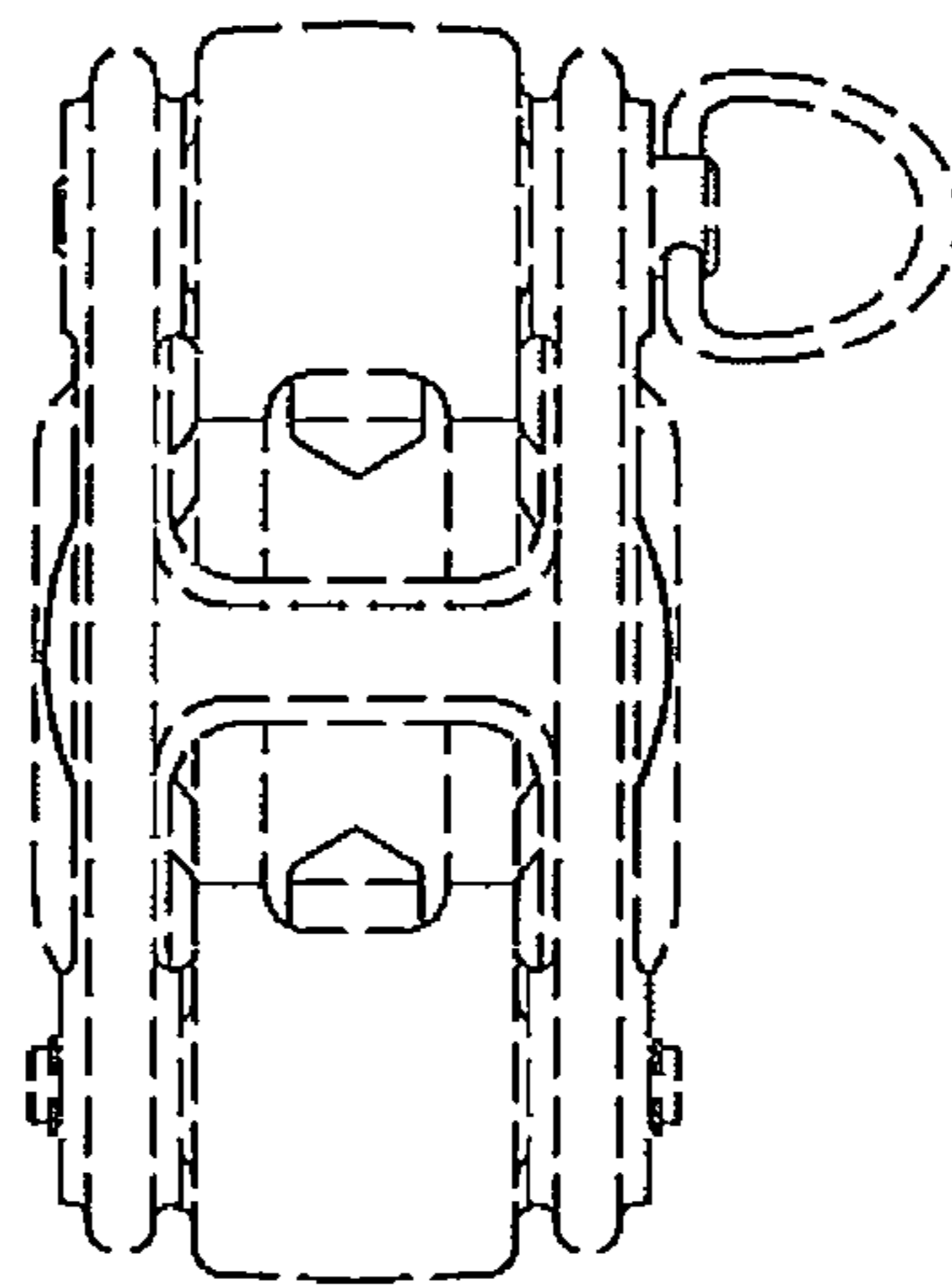


FIG. 6

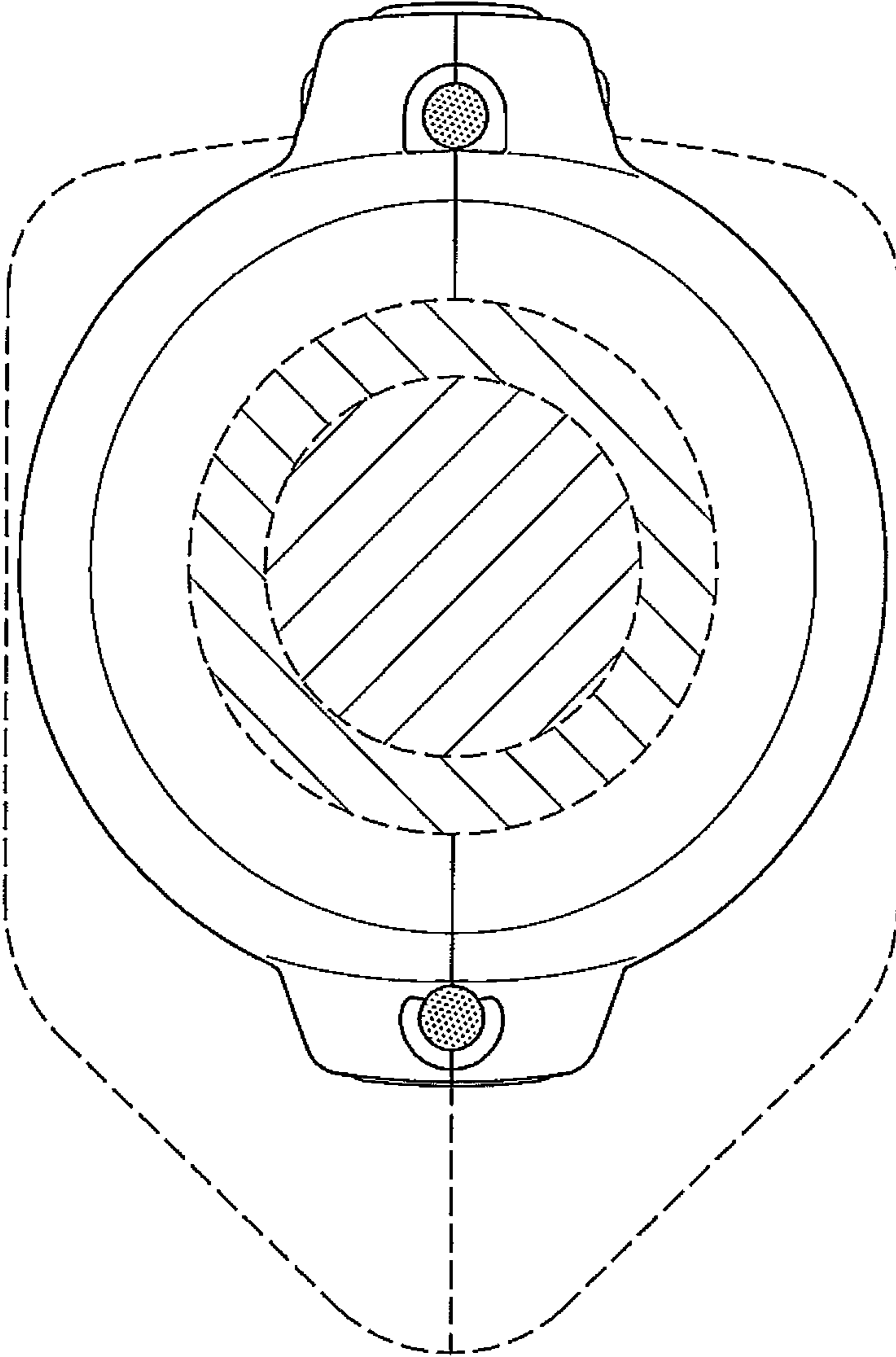


FIG. 7



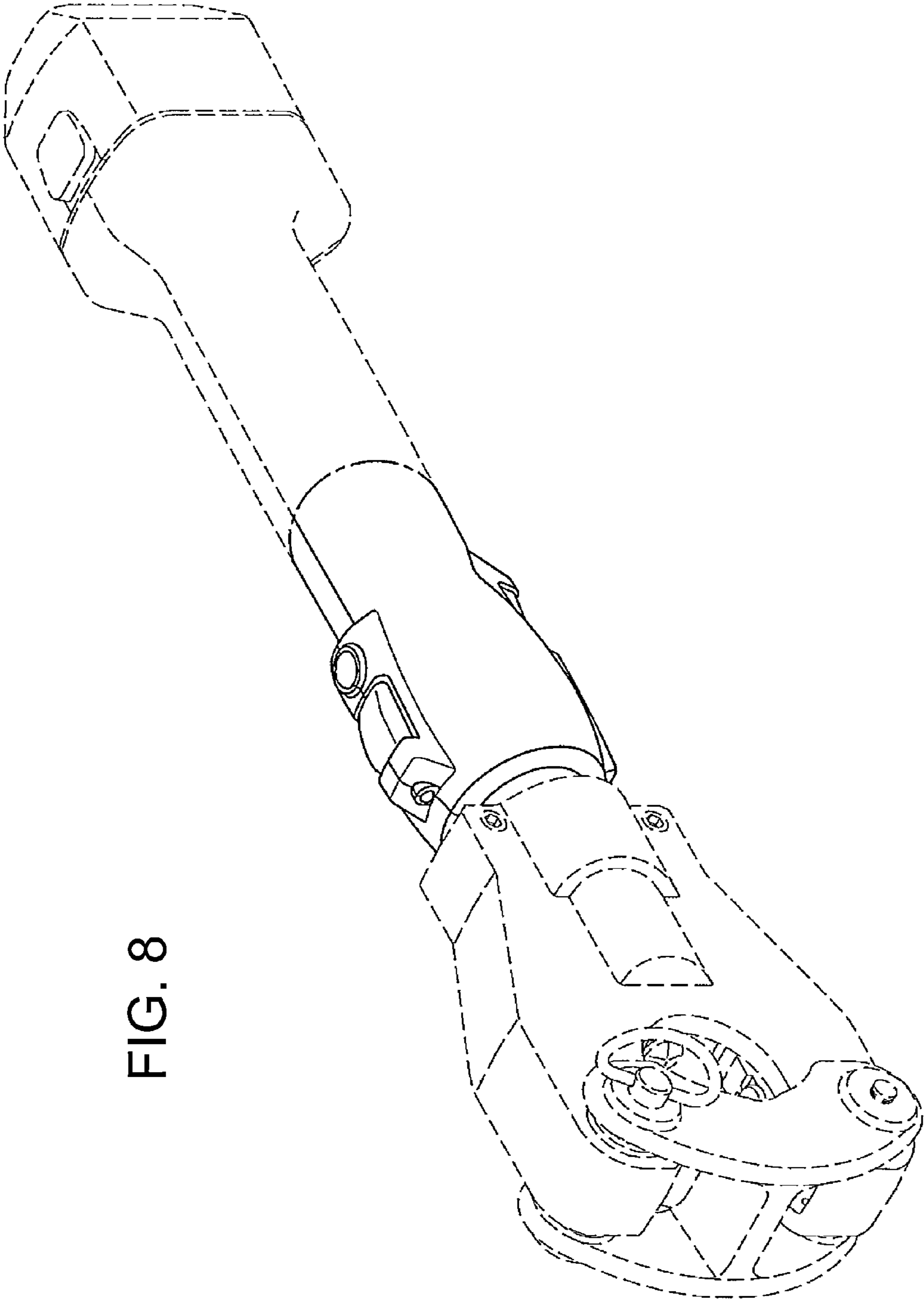


FIG. 8