



US00D696089S

(12) **United States Design Patent**
Caudle

(10) **Patent No.:** **US D696,089 S**

(45) **Date of Patent:** **** Dec. 24, 2013**

(54) **BEVERAGE OPENER**

(71) Applicant: **Maria Caudle**, Las Vegas, NV (US)

(72) Inventor: **Maria Caudle**, Las Vegas, NV (US)

(**) Term: **14 Years**

(21) Appl. No.: **29/446,756**

(22) Filed: **Feb. 27, 2013**

(51) **LOC (9) Cl.** **07-99**

(52) **U.S. Cl.**
USPC **D8/40**

(58) **Field of Classification Search**
USPC D8/14, 16-19, 33-43, 88, 89, 105;
7/113, 151-156; 81/3.07, 3.09, 3.2,
81/3.27, 3.29, 3.31, 3.35, 3.37, 3.4, 3.45,
81/3.48, 3.49, 3.55

See application file for complete search history.

(56) **References Cited**

U.S. PATENT DOCUMENTS

D245,393	S	*	8/1977	Madsen et al.	D8/18
D269,587	S	*	7/1983	Hanslmair	D8/40
D281,389	S	*	11/1985	Summers	D8/40
4,660,446	A	*	4/1987	Soltis	81/3.55
D319,954	S	*	9/1991	Able et al.	D8/18
D368,998	S	*	4/1996	King	D8/19
D462,000	S		8/2002	Hightower		
D539,105	S	*	3/2007	Bennett	D8/18
D544,768	S	*	6/2007	Book	D8/40
D624,374	S	*	9/2010	Walters, III	D8/19
D642,374	S		8/2011	Morrish		
D661,959	S	*	6/2012	Barnhart et al.	D8/16
D673,433	S	*	1/2013	Barnhart et al.	D8/16
2011/0314968	A1		12/2011	Hill		

OTHER PUBLICATIONS

realsimple.com, "Wallet Bottle Opener," advertising web page, accessed ~ Aug. 28, 2012, presumed available worldwide via Google search; dates of invention/creation/first publication unknown; links and one photographic image appended hereto, Exhibit 1.

modern dna.com, "Deluxe Stainless Steel Bottle Opener by Blomus," advertising web page, accessed approx. Aug. 28, 2012, presumed available worldwide via Google search; dates of invention/creation/first publication unknown; links and one photographic image appended hereto, Exhibit 2.

storenvy.com, "Open Me—Bottle Opener," advertising web page, accessed approx. Aug. 28, 2012, presumed available worldwide via Google search; dates of invention/creation/first publication unknown; links and one photographic image appended hereto, Exhibit 3.

* cited by examiner

Primary Examiner — Garth Rademaker

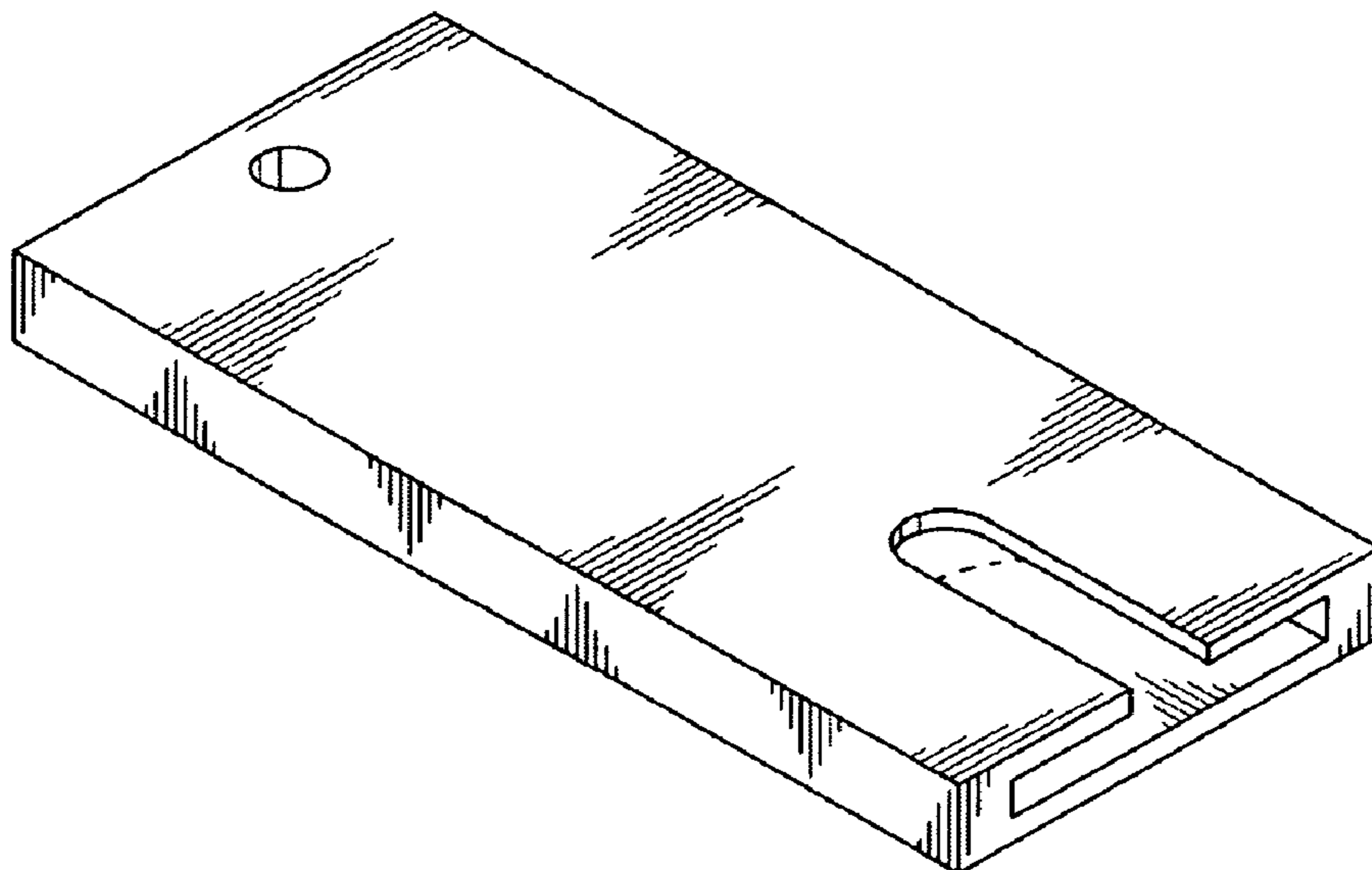
(57) **CLAIM**

The ornamental design for a beverage opener, as shown and described.

DESCRIPTION

FIG. 1 is a perspective view of a beverage opener; FIG. 2 is a top plan view thereof; FIG. 3 is a bottom plan view thereof; FIG. 4 is a left side elevational view thereof; FIG. 5 is a right side elevational view thereof; FIG. 6 is a front elevational view thereof; and, FIG. 7 is a rear elevational view thereof. The broken lines depict portions of the beverage opener which form no part of the claimed design.

1 Claim, 1 Drawing Sheet



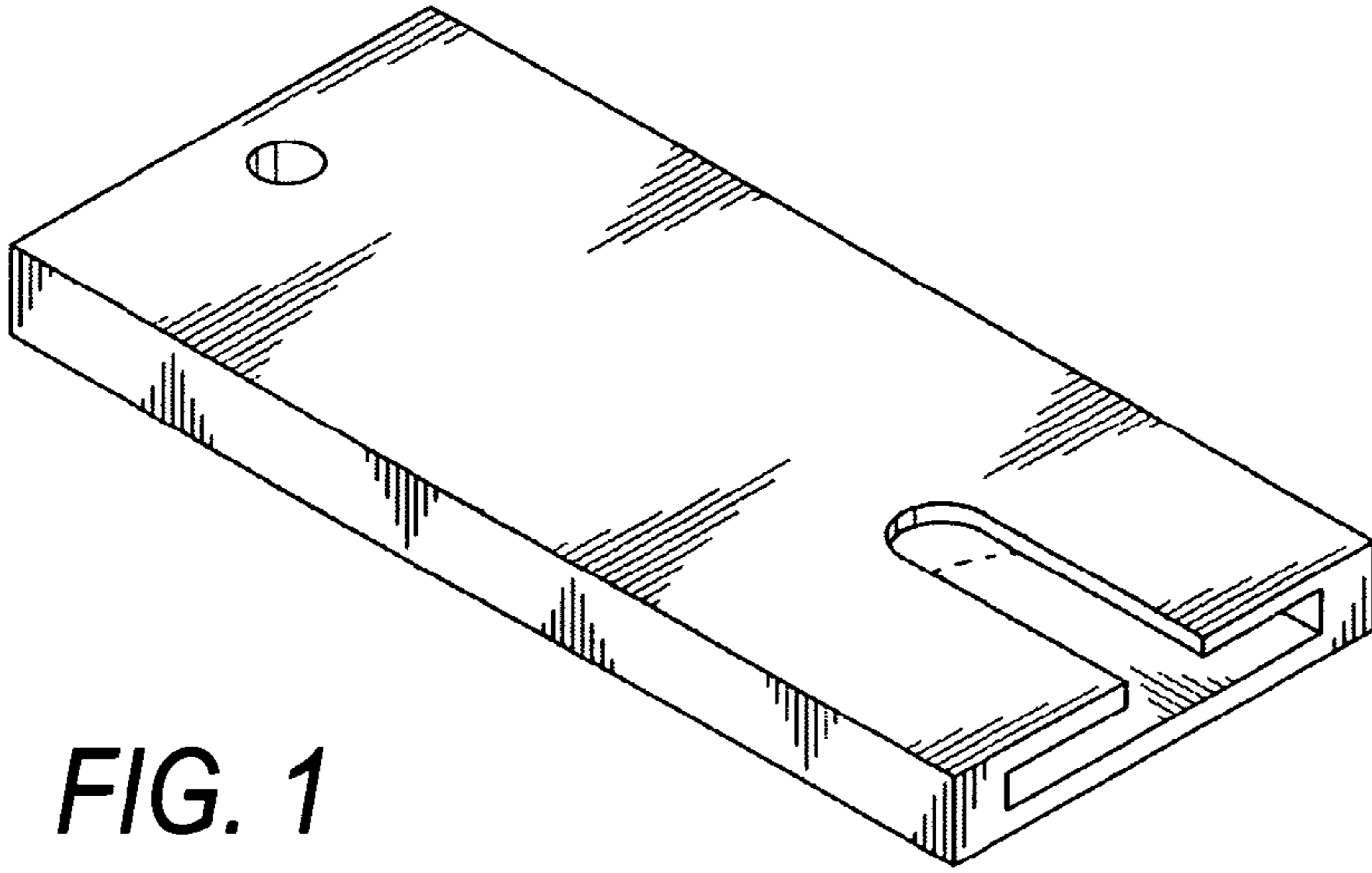


FIG. 1

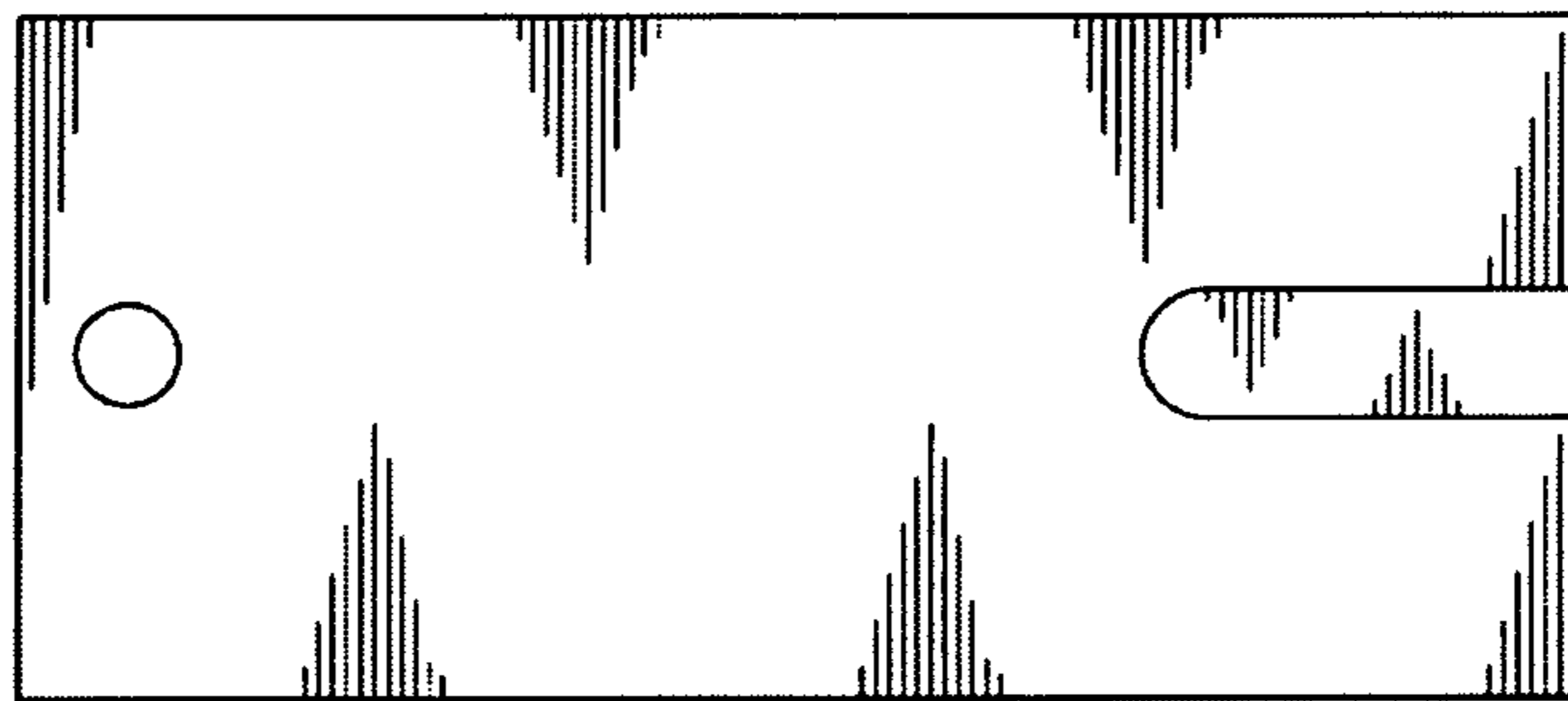


FIG. 2

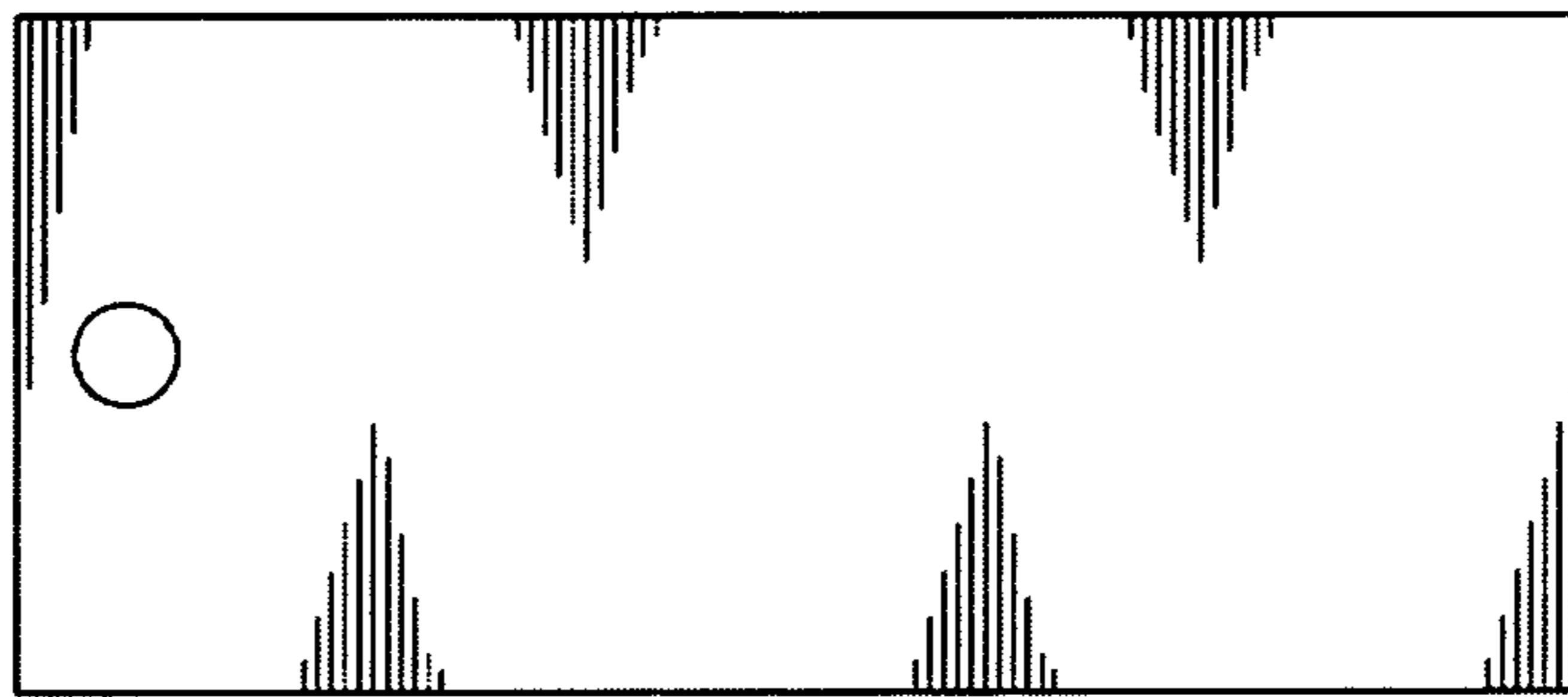


FIG. 3



FIG. 4



FIG. 5

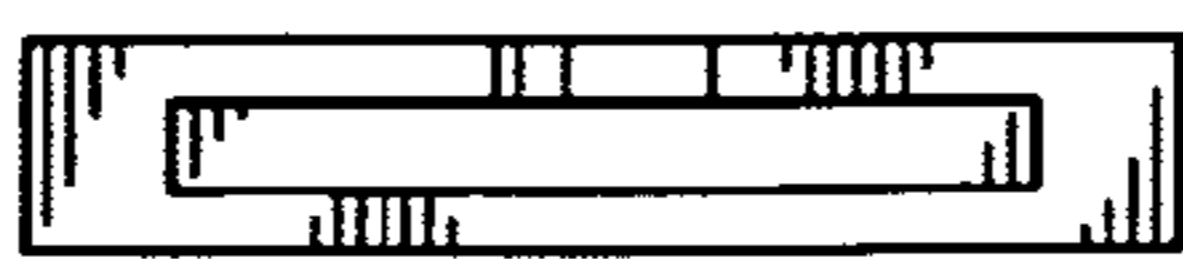


FIG. 6

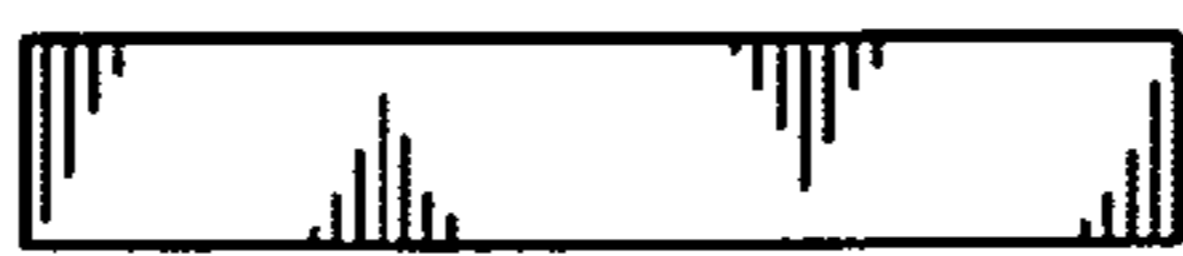


FIG. 7