



US00D696086S

(12) **United States Design Patent**
Wang

(10) **Patent No.:** **US D696,086 S**
(45) **Date of Patent:** **** Dec. 24, 2013**

(54) **MULTI-COLORED DOUBLE-SIDED
SLIP-PROOF CUTTING BOARD**

(71) Applicant: **Xiaoyong Wang**, TaiZhou (CN)

(72) Inventor: **Xiaoyong Wang**, TaiZhou (CN)

(**) Term: **14 Years**

(21) Appl. No.: **29/454,134**

(22) Filed: **May 7, 2013**

(30) **Foreign Application Priority Data**

Dec. 28, 2012 (CN) 2012 3 0657174

(51) **LOC (9) Cl.** **07-04**

(52) **U.S. Cl.**
USPC **D7/698**

(58) **Field of Classification Search**
USPC D6/686; D7/354, 357-360, 368, 388,
D7/392.1, 396.1, 409, 412, 505, 546-549,
D7/550.1, 552.1-552.2, 553.1-553.6,
D7/553.8, 554.2-554.4, 555, 586, 637,
D7/673, 698-699; D8/14, 71; D9/761;
D14/436; D23/308; 99/324, 357,
99/446-450; 211/74; 269/13-16, 87.2,
269/289 R, 302.1, 575

See application file for complete search history.

(56) **References Cited**

U.S. PATENT DOCUMENTS

D81,894 S * 8/1930 Shinn D7/699
2,796,902 A * 6/1957 Mercury 269/13
D213,093 S * 1/1969 Thomas D9/761
3,498,470 A * 3/1970 Thomas 211/74
D258,036 S * 1/1981 Sabin D7/698
D264,531 S * 5/1982 Trode D6/398
D301,820 S * 6/1989 Wasserman D7/553.5

D308,461 S * 6/1990 Hosea D7/549
D339,507 S * 9/1993 Ancona et al. D7/698
D359,664 S * 6/1995 Alley D7/698
D374,798 S * 10/1996 Pippins, Jr. D7/553.4
D387,623 S * 12/1997 Brooks D7/553.8
D461,477 S * 8/2002 Pentz D14/436
D462,965 S * 9/2002 Pentz D14/436
D467,247 S * 12/2002 Pentz D14/436
6,932,336 B1 * 8/2005 Nudo 269/302.1
D519,016 S * 4/2006 Nudo D8/71
D543,423 S * 5/2007 Benson D7/698
D551,040 S * 9/2007 Weeks D8/14
D587,539 S * 3/2009 Almeda et al. D7/698
D624,921 S * 10/2010 Hart et al. D14/436
D631,952 S * 2/2011 Marcoff D23/308
D664,405 S * 7/2012 Chen D7/698
D684,438 S * 6/2013 Joseph D7/698
2009/0194925 A1 * 8/2009 Rolf 269/302.1
2011/0169208 A1 * 7/2011 Almeda et al. 269/289 R

* cited by examiner

Primary Examiner — Ricky Pham

(74) *Attorney, Agent, or Firm* — Michael D. Eisenberg;
Jeanette Meng Nakagawa

(57) **CLAIM**

The ornamental design for a multi-colored double-sided slip-proof cutting board, as shown and described.

DESCRIPTION

FIG. 1 is a perspective view from above of a multi-colored double-sided slip-proof cutting board showing my new design;

FIG. 2 is a top view thereof;

FIG. 3 is a bottom view thereof;

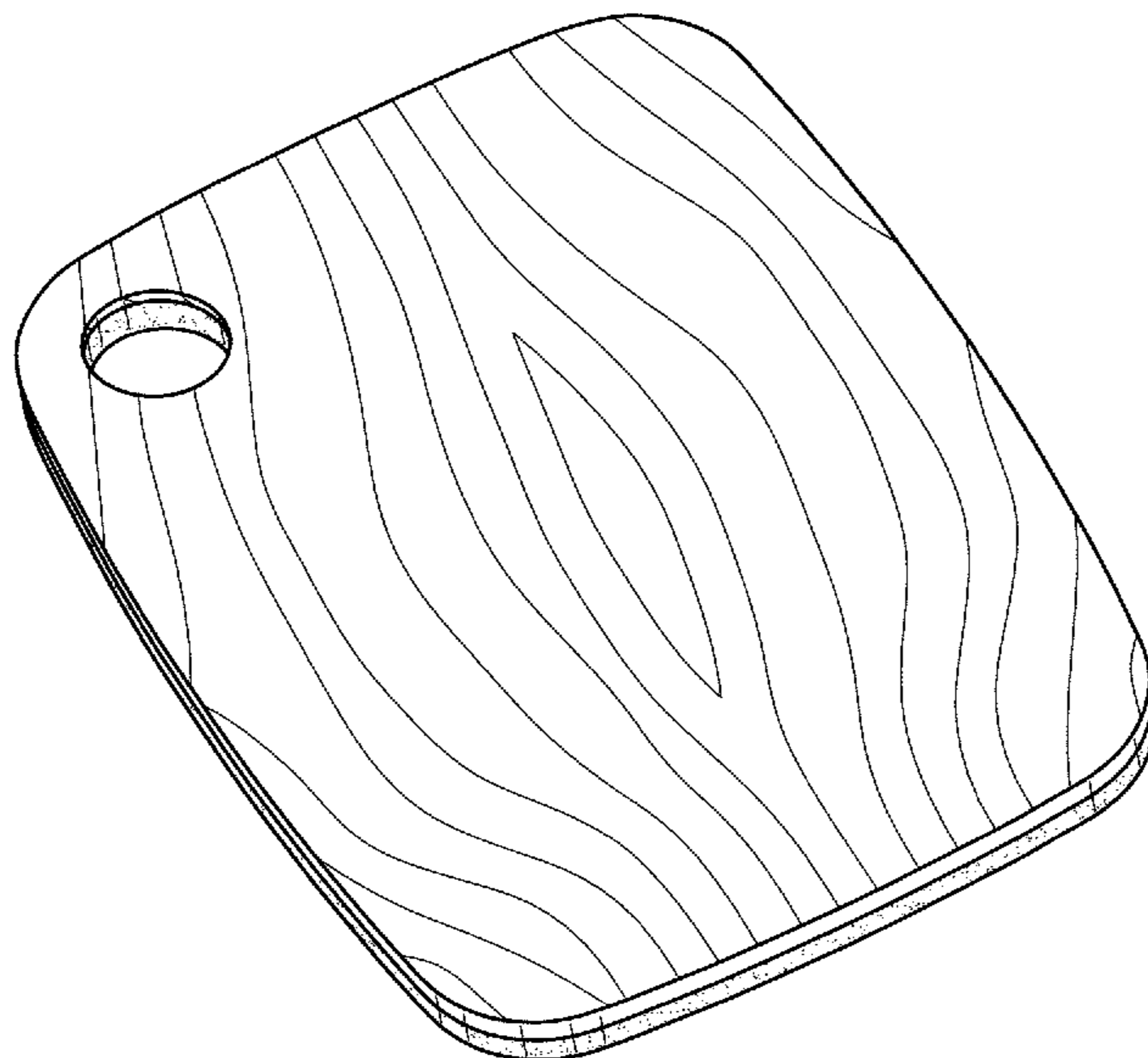
FIG. 4 is a right side view thereof;

FIG. 5 is a left side view thereof;

FIG. 6 is a front view thereof; and,

FIG. 7 is a back view thereof.

1 Claim, 2 Drawing Sheets



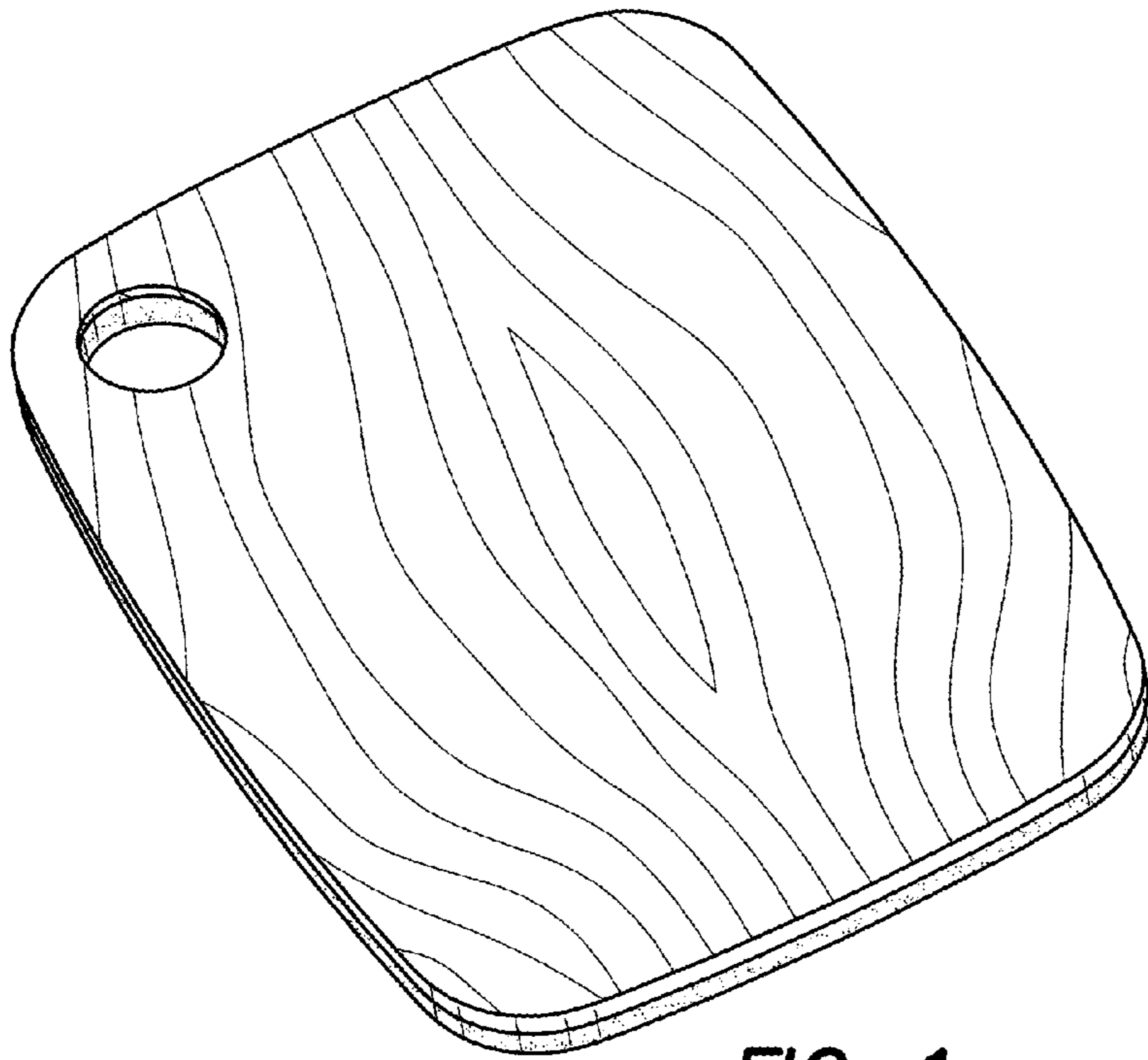


FIG. 1

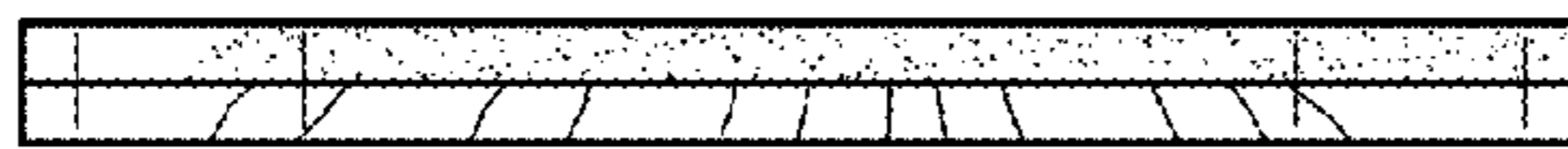


FIG. 2



FIG. 4

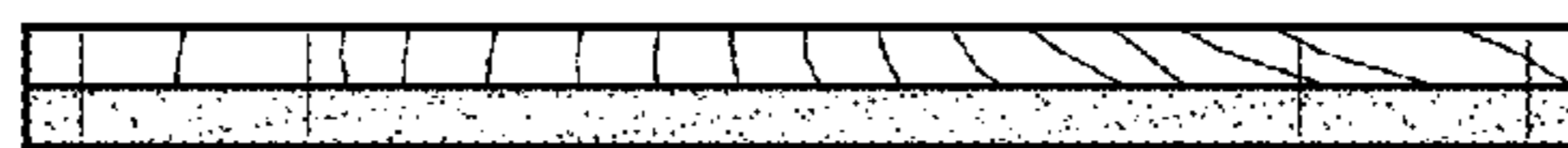


FIG. 3



FIG. 5

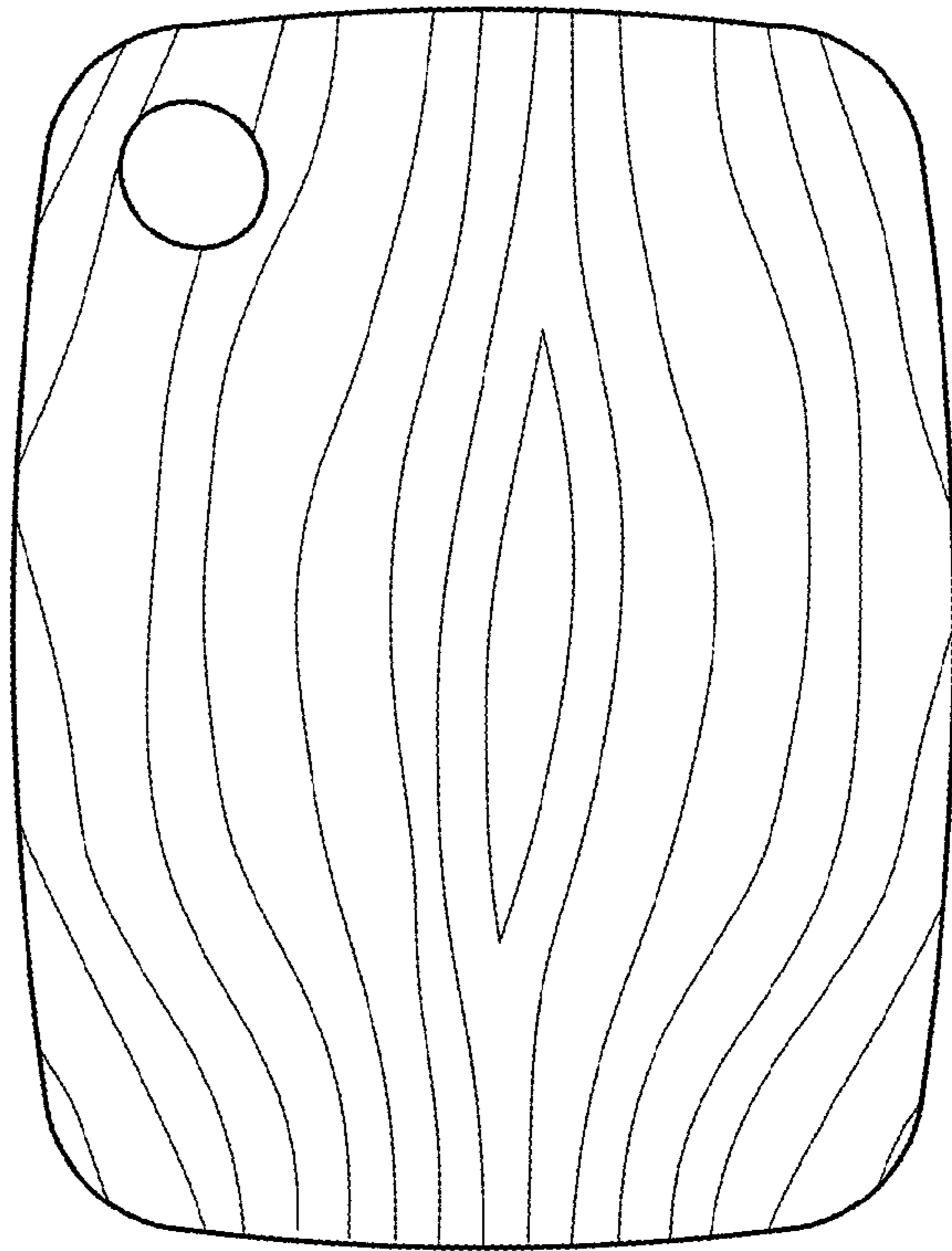


FIG. 6

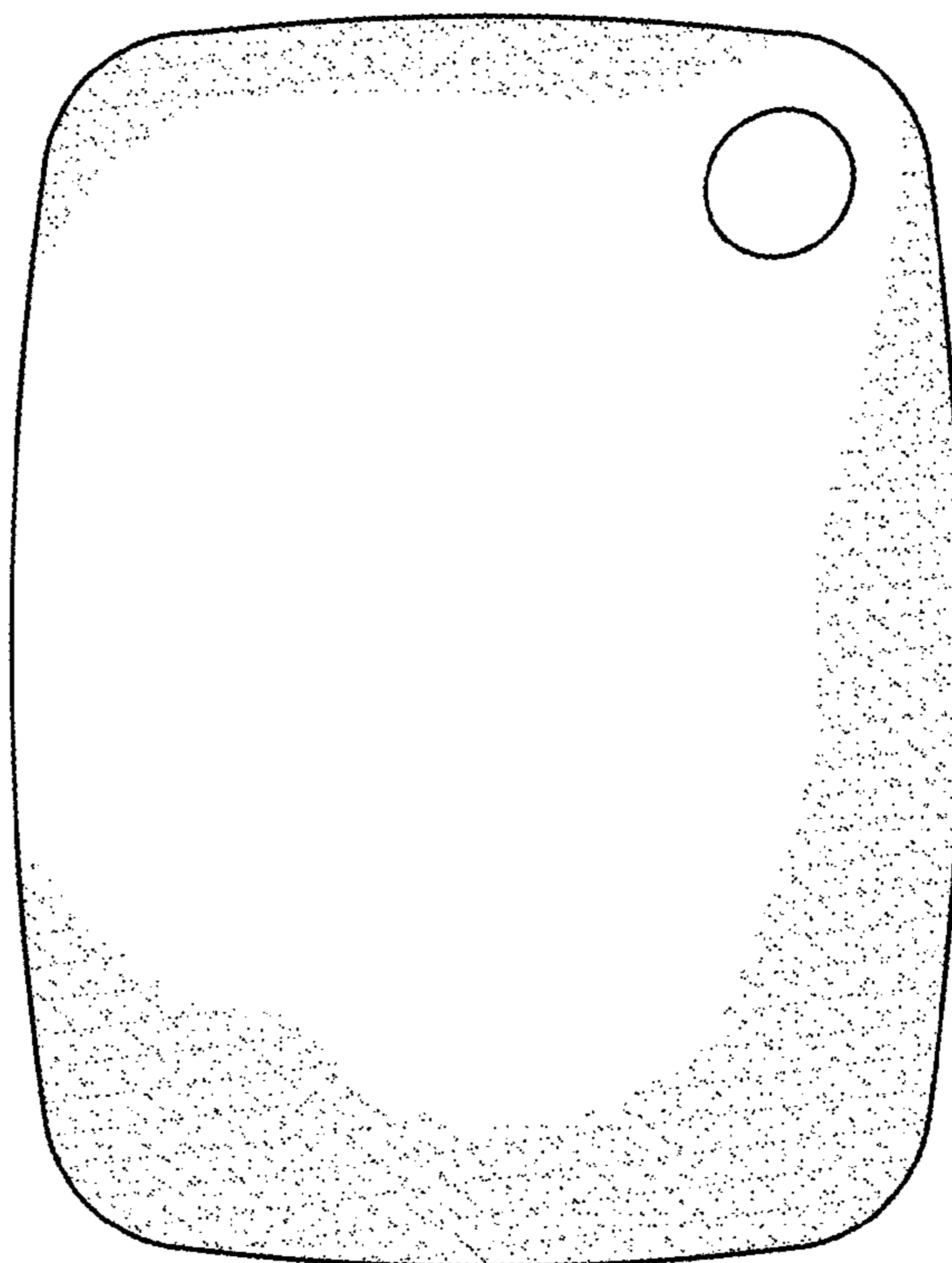


FIG. 7