

US00D696083S

(12) **United States Design Patent**
Hollinger

(10) **Patent No.:** **US D696,083 S**

(45) **Date of Patent:** **** Dec. 24, 2013**

(54) **MULTI-PURPOSE KNIFE**

(56) **References Cited**

(71) Applicant: **E. Mishan & Sons, Inc.**, New York, NY
(US)

U.S. PATENT DOCUMENTS

(72) Inventor: **Fred Hollinger**, Monroe Township, NJ
(US)

D152,727	S	*	2/1949	Peterson	D22/118
2,799,930	A	*	7/1957	Champlin	30/355
2,834,108	A	*	5/1958	Thompson	30/355
2,908,077	A	*	10/1959	Bahlmann	30/277.4
D315,660	S	*	3/1991	Hahn	D7/650
5,241,883	A	*	9/1993	Coppier	76/104.1
D616,719	S	*	6/2010	Moore	D8/105
D635,300	S	*	3/2011	Savarese	D28/46
D639,616	S	*	6/2011	Krapfl et al.	D7/649
D639,833	S	*	6/2011	Inkster	D15/139
D658,455	S	*	5/2012	Wang et al.	D7/649
D684,654	S	*	6/2013	Hunter	D22/118
D690,562	S	*	10/2013	Hasegawa	D7/649

(73) Assignee: **E. Mishan & Sons, Inc.**, New York, NY
(US)

(**) Term: **14 Years**

(21) Appl. No.: **29/464,114**

(22) Filed: **Aug. 13, 2013**

* cited by examiner

Related U.S. Application Data

(62) Division of application No. 29/448,524, filed on Mar. 13, 2013.

Primary Examiner — Ricky Pham

(74) *Attorney, Agent, or Firm* — Notaro, Michalos & Zaccaria P.C.

(51) **LOC (9) Cl.** **07-03**

(57) **CLAIM**

The ornamental design for a multi-purpose knife, as shown and described.

(52) **U.S. Cl.**

USPC **D7/650**; D7/649

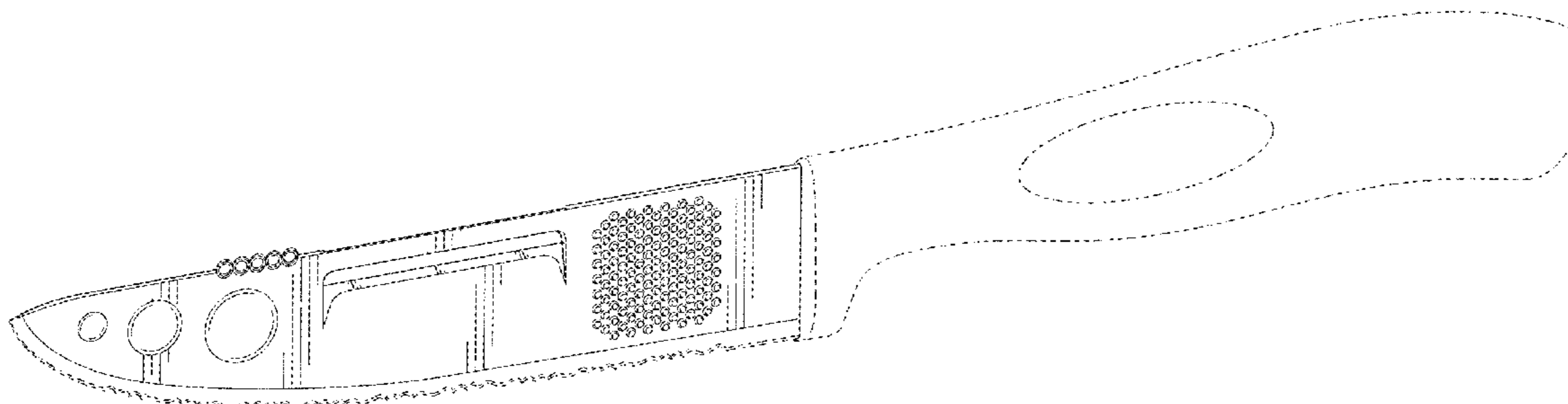
DESCRIPTION

(58) **Field of Classification Search**

USPC D7/368, 393-395, 401.2, 642-646, D7/649-654, 660-664, 669, 675-676, 683, D7/688-692, 695-696; D8/25, 83, 98-99, D8/105-107, 303; D15/139; D22/118; D28/46; 30/115, 137, 141-143, 30/147-150, 277.4, 322-327, 329, 335, 30/340, 342-348, 355; 76/104.1; 416/70 R
See application file for complete search history.

FIG. 1 is a side front top perspective view of a multi-purpose knife showing my new design;
FIG. 2 is a left side elevational view thereof;
FIG. 3 is a right side elevational view thereof;
FIG. 4 is a front elevational view thereof;
FIG. 5 is a top plan view thereof; and,
FIG. 6 is a bottom plan view thereof.
The broken lines shown in the drawings are for illustrative purposes only and form no part of the claimed design.

1 Claim, 5 Drawing Sheets



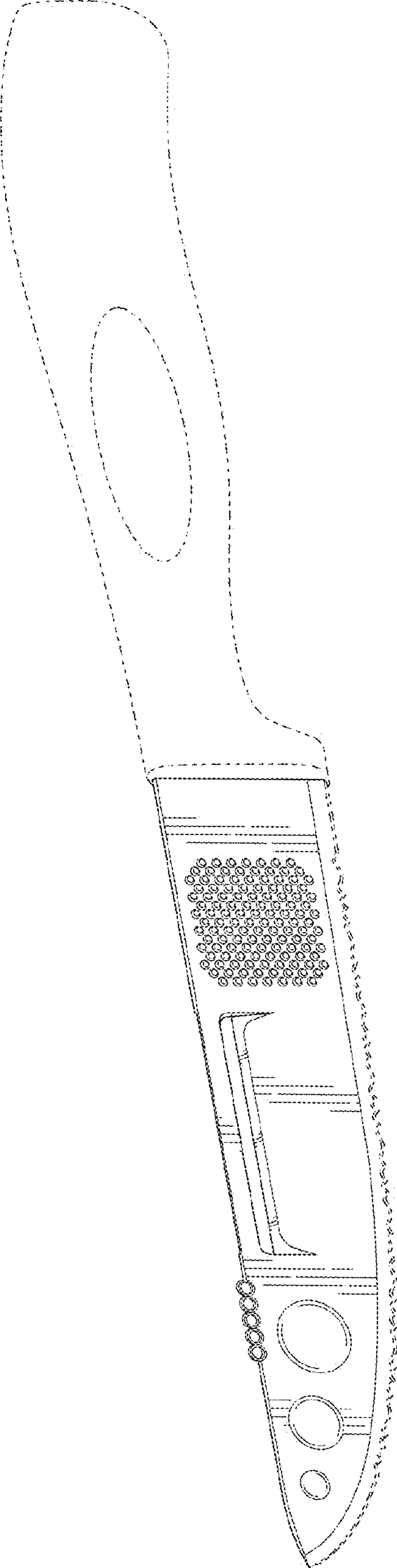


FIG. 1

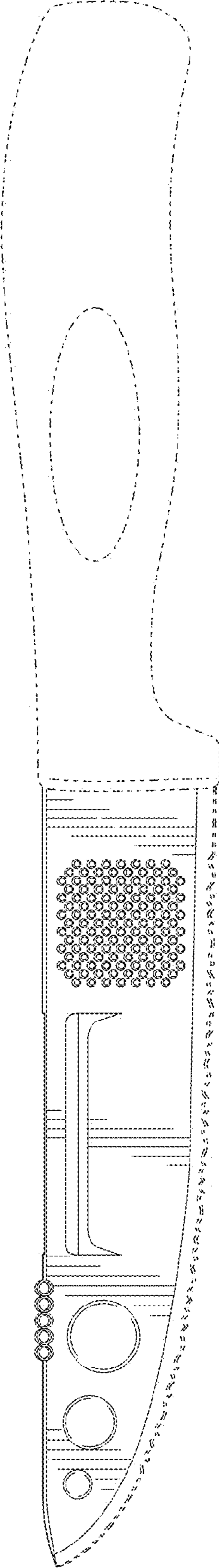


FIG. 2

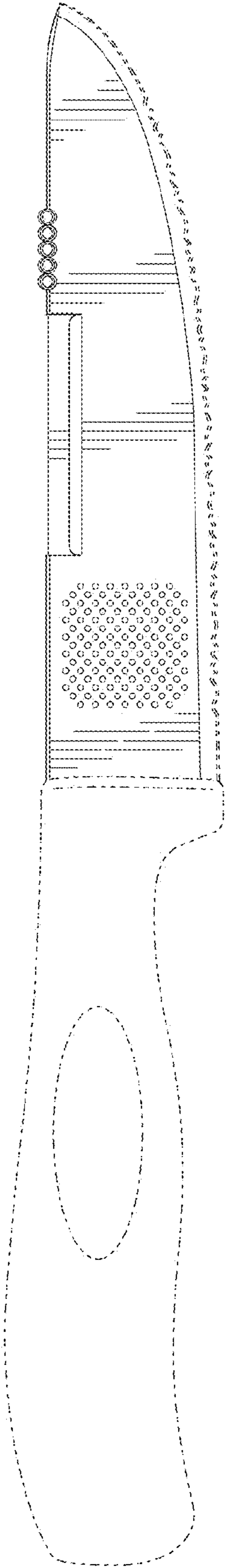


FIG. 3

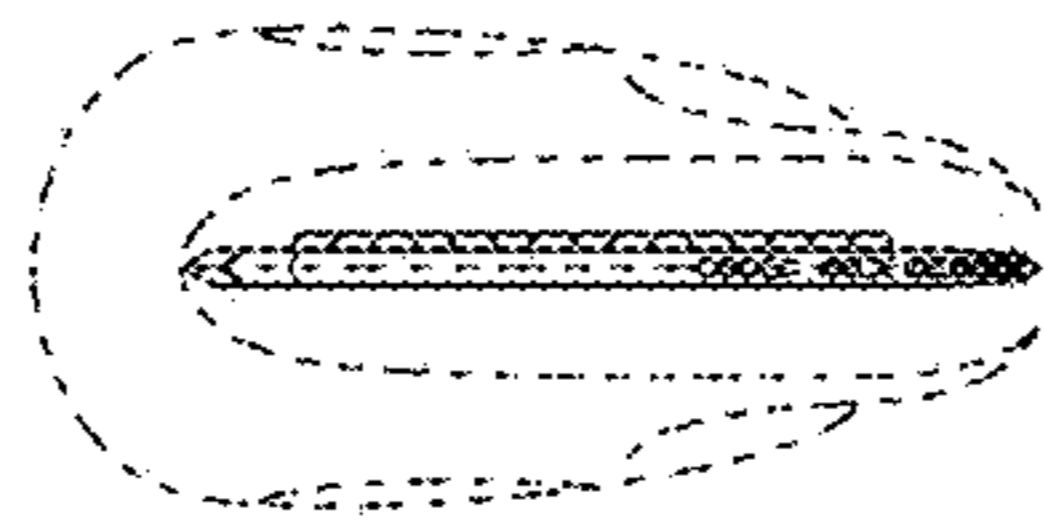


FIG. 4

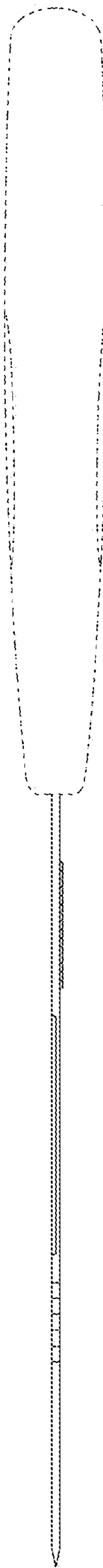


FIG. 5



FIG. 6