

US00D696079S

(12) **United States Design Patent**  
**Meyers et al.**

(10) **Patent No.:** **US D696,079 S**

(45) **Date of Patent:** **\*\* Dec. 24, 2013**

(54) **STACKABLE CONTAINER SYSTEM WITH HANDLE**

(75) Inventors: **David O. Meyers**, Kaysville, UT (US);  
**Steven M. Sorensen**, Alpine, UT (US)

(73) Assignee: **Runway Blue, LLC**, Pleasant Grove, UT (US)

(\*\*) Term: **14 Years**

(21) Appl. No.: **29/430,882**

(22) Filed: **Aug. 30, 2012**

(51) **LOC (9) Cl.** ..... **07-07**

(52) **U.S. Cl.**  
USPC ..... **D7/629**

(58) **Field of Classification Search**  
USPC ..... D7/601, 602, 629, 628, 630, 709, 608;  
220/780–806, 675, 574–575, 236, 326,  
220/324, 4.23–4.25, 4.27, 300, 212.5, 293,  
220/294, 761; 206/503, 509, 549, 508, 545  
See application file for complete search history.

(56) **References Cited**

**U.S. PATENT DOCUMENTS**

1,037,051 A	8/1912	Ramsey	
1,094,469 A	4/1914	Pick	
1,389,732 A	9/1921	Baron	
1,479,053 A	1/1924	Brooks	
1,573,620 A	2/1926	Allston	
2,056,879 A	10/1936	Winterhalter et al.	
2,272,867 A	2/1942	Cobel	
2,514,573 A *	7/1950	Harrison	220/4.24
2,573,378 A	10/1951	Zurlinden	
2,574,876 A	11/1951	Lebus	
2,575,299 A	11/1951	Scheel	
2,638,253 A	5/1953	Mueller	
2,748,997 A	6/1956	Richmond, Sr.	
2,752,971 A	7/1956	Tupper	
2,754,866 A	7/1956	Coltman	

3,022,925 A	2/1962	Daniell	
3,091,361 A	5/1963	Gawron	
3,143,205 A	8/1964	Ruderian	
3,144,016 A	8/1964	Basci	
3,168,226 A	2/1965	Underwood	
3,369,691 A *	2/1968	Wei	220/4.27
3,552,548 A *	1/1971	Wallestad et al.	206/710
3,770,160 A	11/1973	Flider	
3,820,692 A	6/1974	Swett et al.	
D233,116 S	10/1974	Swett et al.	

(Continued)

**FOREIGN PATENT DOCUMENTS**

CN	201139196	10/2008
JP	2006103793 A	4/2004
JP	2008247404	10/2008

**OTHER PUBLICATIONS**

U.S. Appl. No. 12/762,292, filed Apr. 16, 2010, Meyers, et al.

(Continued)

*Primary Examiner* — Terry Wallace

(74) *Attorney, Agent, or Firm* — Maschoff Brennan

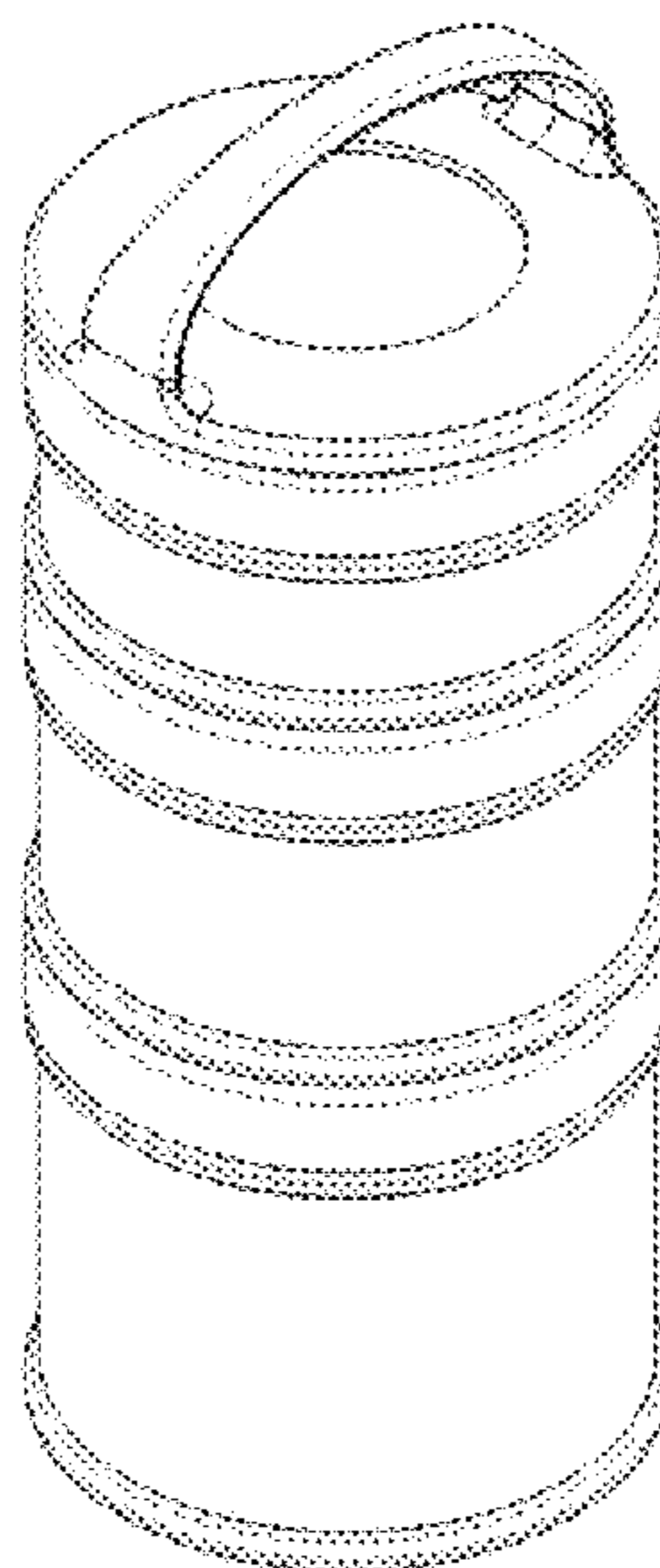
(57) **CLAIM**

The ornamental design for a stackable container system with handle, as shown.

**DESCRIPTION**

FIG. 1 is a front elevation view of the stackable container system with handle (the rear elevation view is symmetrical to the front elevation view);  
FIG. 2 is a left, side elevation view thereof (the right, side elevation view is symmetrical to the left, side elevation view);  
FIG. 3 is a top plan view thereof;  
FIG. 4 is a bottom plan view thereof; and,  
FIG. 5 is a perspective view thereof.

**1 Claim, 5 Drawing Sheets**



(56)

References Cited

U.S. PATENT DOCUMENTS

4,022,352 A 5/1977 Pehr  
 4,136,799 A 1/1979 Albert  
 4,158,902 A 6/1979 Chernack et al.  
 D261,088 S \* 10/1981 Akimov et al. .... D7/608  
 4,399,926 A \* 8/1983 Eidels-Dubovoy ..... 220/288  
 4,457,458 A 7/1984 Heinol  
 4,474,303 A \* 10/1984 Maccise ..... 220/4.27  
 4,519,518 A 5/1985 Wiles et al.  
 4,537,044 A \* 8/1985 Putnam ..... 62/371  
 4,735,333 A 4/1988 Lay et al.  
 4,776,501 A 10/1988 Ostrowsky  
 4,805,790 A 2/1989 Leonetti et al.  
 4,932,225 A \* 6/1990 Bighouse ..... 62/457.4  
 5,064,911 A 11/1991 Rohr et al.  
 5,065,877 A 11/1991 Karppinen et al.  
 5,088,614 A 2/1992 Dumestre  
 D330,862 S 11/1992 Shibley et al.  
 5,228,584 A 7/1993 Williams, Jr.  
 D342,898 S 1/1994 Baschmackoff  
 5,289,930 A 3/1994 Inouye  
 D350,460 S \* 9/1994 Picozza et al. .... D7/629  
 5,386,922 A 2/1995 Jordan  
 D356,499 S 3/1995 Cautereels et al.  
 5,547,111 A 8/1996 Geiger et al.  
 5,609,277 A 3/1997 McDonald  
 D382,968 S 8/1997 Giles et al.  
 D404,305 S 1/1999 De Baschmakoff  
 D405,654 S \* 2/1999 Moran ..... D7/629  
 D421,547 S 3/2000 Demers  
 6,161,713 A 12/2000 Krich  
 6,283,333 B1 9/2001 Knickerbocker et al.  
 6,299,005 B1 10/2001 Higgins  
 6,379,032 B1 4/2002 Sorensen  
 D458,081 S 6/2002 Bodum  
 D461,420 S 8/2002 Kerman  
 D497,431 S 10/2004 Bentley  
 6,832,412 B2 12/2004 Kim  
 6,860,397 B1 3/2005 Walters, Jr.  
 D504,273 S 4/2005 Ancona  
 D508,185 S 8/2005 Gauss  
 D510,235 S 10/2005 Sorensen  
 D518,336 S \* 4/2006 Hirani ..... D7/629  
 7,073,678 B1 7/2006 Dibdin et al.  
 D526,827 S \* 8/2006 Allen et al. .... D7/306  
 D528,862 S 9/2006 Li  
 D529,339 S 10/2006 Carreno et al.  
 D532,650 S 11/2006 de Groote  
 D543,454 S 5/2007 Leoncavallo et al.  
 D546,131 S \* 7/2007 Morales ..... D7/608  
 D547,607 S 7/2007 Forsman  
 D565,353 S 4/2008 Roth et al.  
 D574,190 S 8/2008 Homma  
 D580,227 S 11/2008 Roth et al.  
 D586,184 S 2/2009 Miller et al.  
 D587,069 S 2/2009 Bodum  
 D589,751 S 4/2009 Liu et al.  
 D592,913 S 5/2009 Pinelli et al.  
 7,533,783 B2 5/2009 Choi et al.  
 D593,811 S \* 6/2009 Carreno ..... D7/629  
 D599,664 S 9/2009 Fujinami et al.  
 D604,103 S 11/2009 Alviar et al.  
 D609,970 S 2/2010 Richau et al.  
 D613,110 S 4/2010 Lane et al.  
 D622,089 S \* 8/2010 Daniel et al. .... D7/313  
 D622,554 S \* 8/2010 Carreno ..... D7/629  
 7,806,284 B2 10/2010 Mangano  
 D626,837 S 11/2010 Meyers et al.  
 D626,838 S 11/2010 Meyers et al.  
 D628,483 S 12/2010 McKinney et al.  
 D629,657 S \* 12/2010 Carreno ..... D7/629  
 7,870,980 B2 1/2011 Wilson et al.  
 D641,594 S \* 7/2011 Huang ..... D7/629  
 D644,065 S 8/2011 Llerena  
 8,020,257 B2 9/2011 Merten et al.  
 D646,546 S 10/2011 Robinson et al.

D646,919 S 10/2011 Nilsson  
 D647,760 S 11/2011 Pearson  
 D652,256 S 1/2012 Eyal  
 D655,131 S 3/2012 Nilsson  
 D655,967 S 3/2012 Bodum  
 D656,357 S 3/2012 Enghard  
 D661,551 S 6/2012 Gilbert  
 D666,047 S 8/2012 Lin  
 D666,061 S \* 8/2012 Ying ..... D7/629  
 D667,694 S 9/2012 Meyers et al.  
 8,302,796 B1 11/2012 Johnson  
 8,342,349 B2 1/2013 Lu  
 D677,121 S 3/2013 Meyers et al.  
 D686,885 S 7/2013 Meyers et al.  
 D686,886 S 7/2013 Meyers et al.  
 D686,887 S 7/2013 Meyers et al.  
 D686,888 S 7/2013 Meyers et al.  
 2002/0074334 A1 6/2002 Karp  
 2003/0085228 A1 5/2003 Oakes  
 2004/0217139 A1 11/2004 Roth et al.  
 2004/0262306 A1 12/2004 Smith  
 2005/0045634 A1 3/2005 Ward et al.  
 2005/0045636 A1 3/2005 Lown et al.  
 2007/0012693 A1 1/2007 Kummer  
 2007/0175931 A1 8/2007 Leoncavallo et al.  
 2008/0099514 A1 5/2008 Carter et al.  
 2009/0178940 A1 7/2009 Said  
 2009/0188884 A1 7/2009 Nelson et al.  
 2009/0188933 A1 7/2009 Daams  
 2009/0301990 A1 12/2009 Cresswell et al.  
 2010/0200438 A1 8/2010 Davies  
 2010/0206835 A1 8/2010 Yu  
 2010/0224631 A1 9/2010 Roth et al.  
 2010/0282703 A1 11/2010 Yang  
 2011/0017760 A1 1/2011 Newman  
 2011/0253733 A1 10/2011 Meyers et al.

OTHER PUBLICATIONS

U.S. Appl. No. 13/232,891, filed Sep. 14, 2011, Meyers, et al.  
 U.S. Appl. No. 13/232,935, filed Sep. 14, 2011, Meyers, et al.  
 U.S. Appl. No. 29/431,544, filed Sep. 7, 2012, Meyers, et al.  
 U.S. Appl. No. 13/609,238, filed Sep. 10, 2012, Meyers, et al.  
 U.S. Appl. No. 13/610,445, filed Sep. 11, 2012, Meyers, et al.  
 U.S. Appl. No. 13/633,864, filed Oct. 2, 2012, Meyers, et al.  
 U.S. Appl. No. 29/457,097, filed Jun. 6, 2013, Sorensen, et al.  
 U.S. Appl. No. 29/457,096, Jun. 6, 2013, Sorensen, et al.  
 U.S. Appl. No. 61/832,085, filed Jun. 6, 2013, Sorensen, et al.  
 Kor One, <http://www.korwater.com/buyONE>, accessed Apr. 21, 2010.  
 Core 77, <http://www.core77.com/blog/materials/kor.sub.--one.sub.--water.su-b.--vessel.sub.--actual.sub.--size.sub.--10211.asp>, accessed Apr. 21, 2010.  
 Koyono, <http://www.koyono.com/KOR-ONE-Green-Zen-Water-Hydration-Vessel.sub-.-p/kor-one.htm>, accessed Apr. 21, 2010.  
 Fit Sugar, [www.fitsugar.com/2496788](http://www.fitsugar.com/2496788), accessed Apr. 21, 2010.  
 Thermos, <http://www.shopthermos.com/detail/TMS+HP4000GR6>, accessed Apr. 21, 2010.  
 Goodlifter, <http://www.goodlifter.com/2009/02/360-paper-water-bottle/>, accessed Apr. 21, 2010.  
 Advisory Action from U.S. Appl. No. 12/762,292 dated May 24, 2013.  
 Office Action from U.S. Appl. No. 12/762,292 dated Jul. 1, 2013.  
 Office Action from U.S. Appl. No. 12/762,292 dated Oct. 2, 2012.  
 Office Action from U.S. Appl. No. 12/762,292 dated Jul. 17, 2012.  
 Office Action from U.S. Appl. No. 12/762,292 dated Feb. 10, 2012.  
 Notice of Allowance from U.S. Appl. No. 29/431,544 dated Aug. 14, 2013.  
 Office Action from U.S. Appl. No. 29/431,544 dated Mar. 25, 2013.  
 Office Action from U.S. Appl. No. 13/610,445 dated Mar. 29, 2013.  
 Office Action from U.S. Appl. No. 13/633,864 dated Mar. 29, 2013.  
 Office Action from U.S. Appl. No. 13/232,891 dated Jul. 19, 2013.  
 Office Action from U.S. Appl. No. 13/609,238 dated May 30, 2013.  
 International Search Report from PCT Application No. PCT/US2011/026508 dated Sep. 29, 2011.

(56)

**References Cited**

OTHER PUBLICATIONS

Written Opinion from PCT Application No. PCT/US2011/026508 dated Sep. 29, 2011.

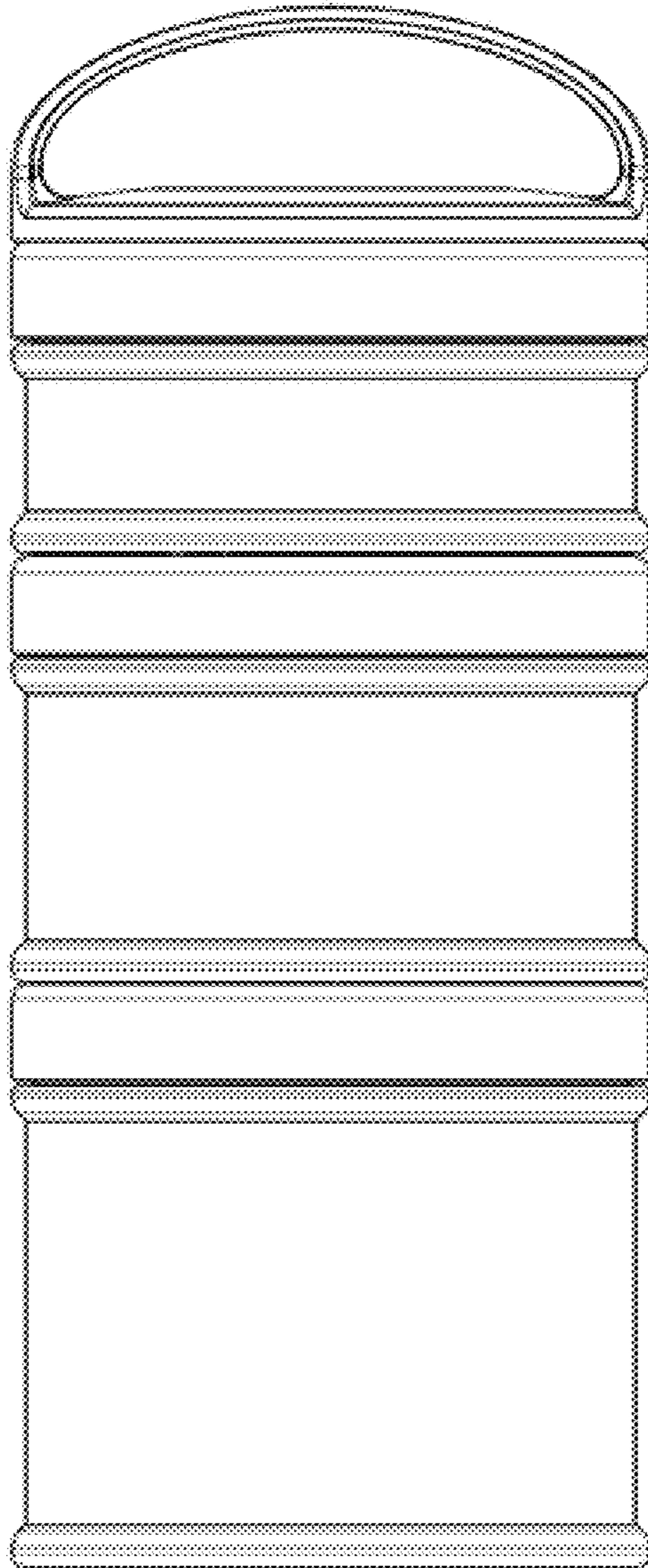
International Preliminary Report on Patentability from PCT Application No. PCT/US2011/026508 dated Oct. 16, 2012.

International Search Report from PCT Application No. PCT/US2012/054483 dated Nov. 16, 2012.

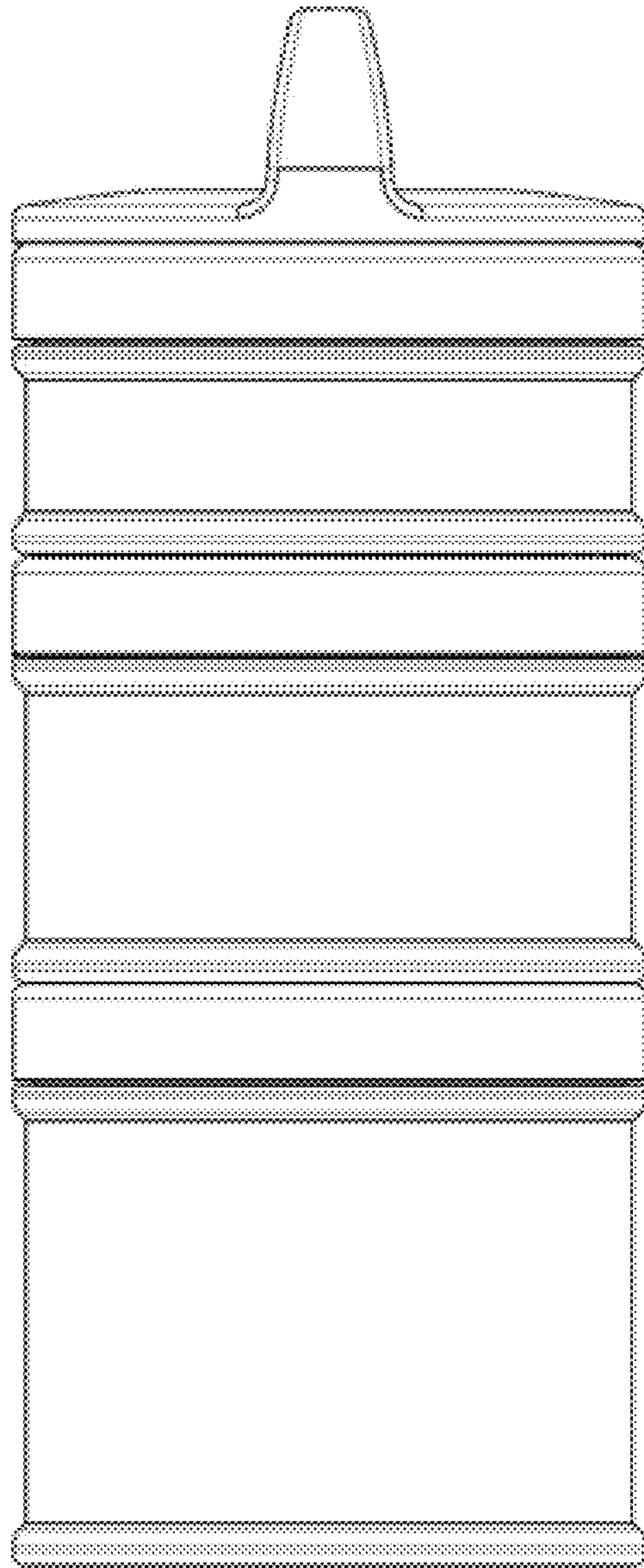
International Search Report and Written Opinion from PCT Application No. PCT/US2012/054497 dated Nov. 20, 2012.

International Search Report and Written Opinion from PCT Application No. PCT/US2013/052132 dated Aug. 16, 2013.

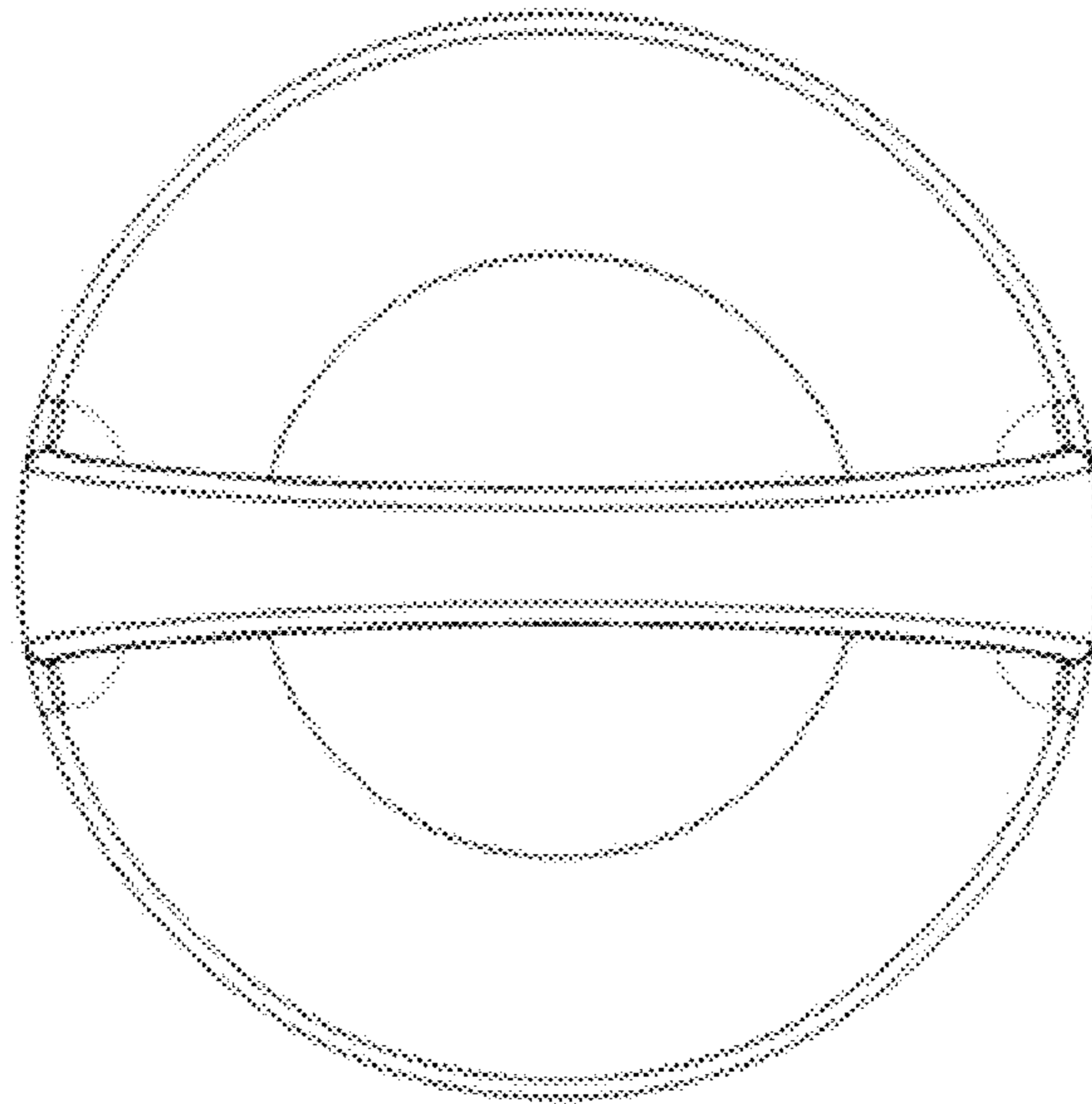
\* cited by examiner



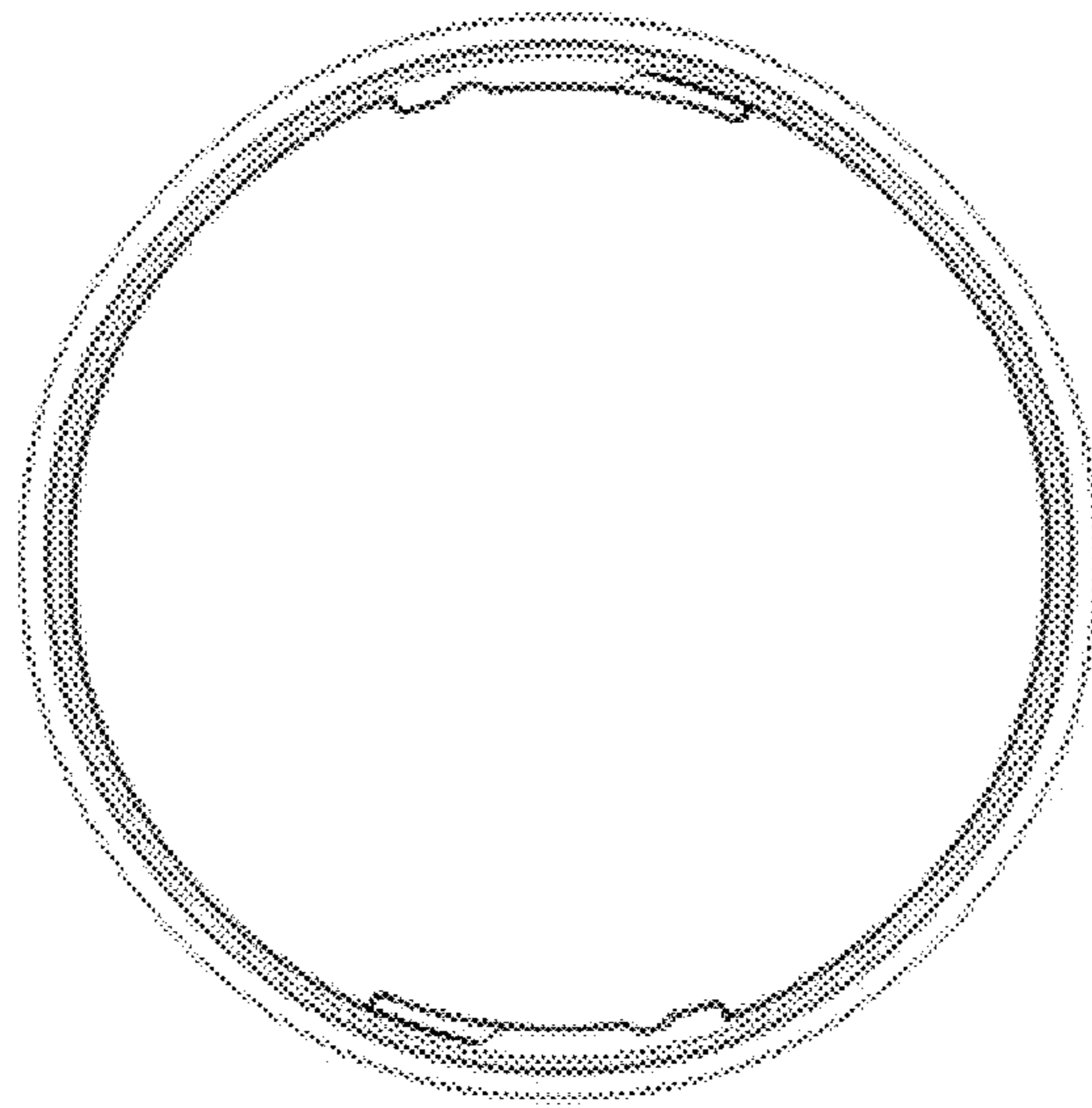
*Fig. 1*



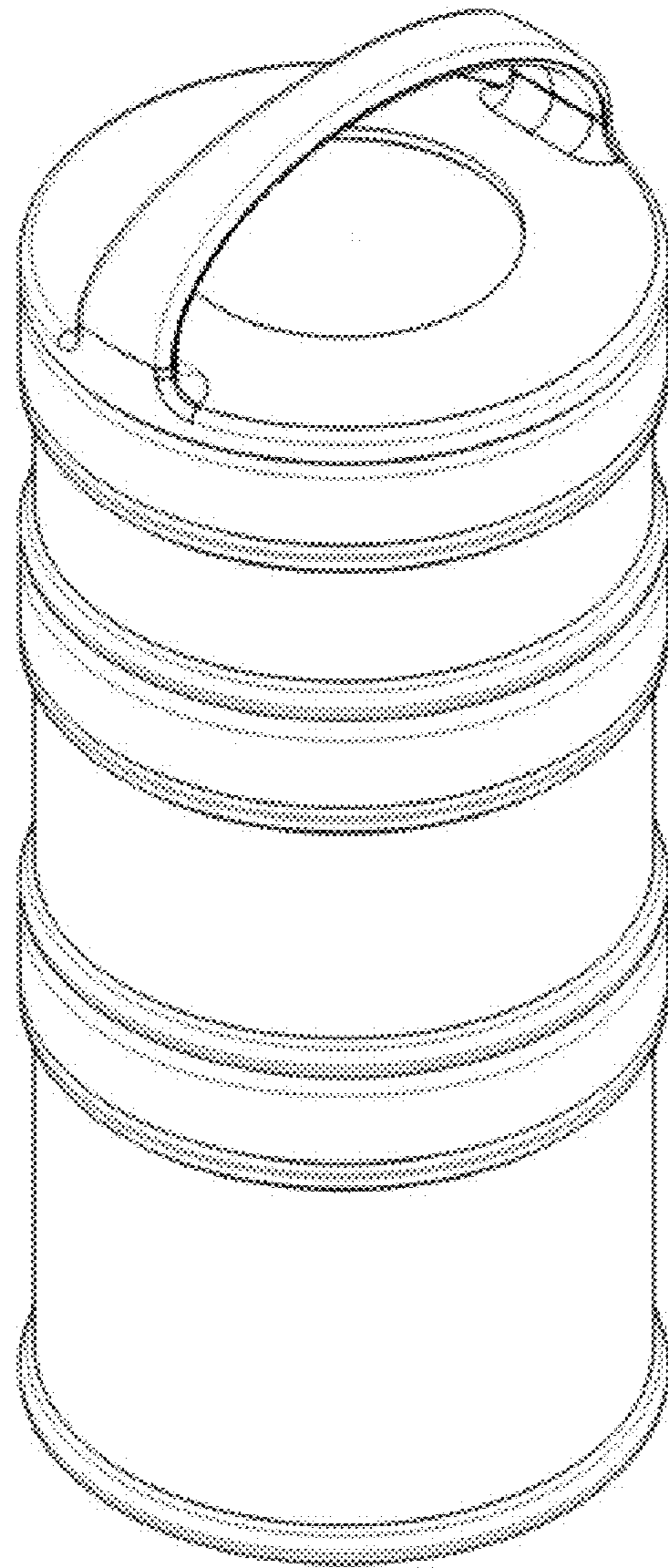
*Fig. 2*



**Fig. 3**



**Fig. 4**



**Fig. 5**