



US00D696074S

(12) **United States Design Patent**  
**Shamoon**

(10) **Patent No.:** **US D696,074 S**

(45) **Date of Patent:** **\*\* Dec. 24, 2013**

(54) **COLLAPSIBLE BOWL WITH TILT MECHANISM**

(71) Applicant: **Ellis N. Shamoon**, Dallas, TX (US)

(72) Inventor: **Ellis N. Shamoon**, Dallas, TX (US)

(\*\*) Term: **14 Years**

(21) Appl. No.: **29/435,021**

(22) Filed: **Oct. 18, 2012**

(51) **LOC (9) Cl.** ..... **07-01**

(52) **U.S. Cl.**  
USPC ..... **D7/584**; D7/527; D7/543

(58) **Field of Classification Search**  
USPC ..... D7/545, 586, 500, 543, 566, 620, 629,  
D7/552.1, 354, 584, 360, 361, 505, 587;  
220/751, 23.4, 574; D9/432; D30/127  
See application file for complete search history.

(56) **References Cited**

U.S. PATENT DOCUMENTS

|           |    |   |         |                  |       |           |
|-----------|----|---|---------|------------------|-------|-----------|
| D222,177  | S  | * | 10/1971 | Tondu            | ..... | D7/543    |
| D250,565  | S  | * | 12/1978 | Stowell          | ..... | D7/543    |
| 4,377,191 | A  | * | 3/1983  | Yamaguchi        | ..... | 220/665   |
| 4,875,576 | A  | * | 10/1989 | Torgimson et al. | ..... | 206/219   |
| D347,969  | S  | * | 6/1994  | Cousins et al.   | ..... | D7/548    |
| 5,423,452 | A  | * | 6/1995  | Tardif           | ..... | 220/574   |
| D373,050  | S  | * | 8/1996  | Brewer et al.    | ..... | D7/505    |
| D403,921  | S  | * | 1/1999  | Zirbes           | ..... | D7/543    |
| D405,561  | S  | * | 2/1999  | Willinger et al. | ..... | D30/129   |
| D447,012  | S  | * | 8/2001  | Owens et al.     | ..... | D7/620    |
| D452,417  | S  | * | 12/2001 | Whitmore et al.  | ..... | D7/543    |
| D477,186  | S  | * | 7/2003  | de Groote et al. | ..... | D7/543    |
| 6,619,230 | B1 | * | 9/2003  | Kimbrough et al. | ..... | 119/61.56 |
| D484,363  | S  | * | 12/2003 | de Groote et al. | ..... | D7/543    |
| 7,048,317 | B2 | * | 5/2006  | Netsch           | ..... | 294/180   |
| D522,809  | S  | * | 6/2006  | Kusuma et al.    | ..... | D7/602    |
| D524,603  | S  | * | 7/2006  | Kishbaugh et al. | ..... | D7/543    |
| D545,629  | S  | * | 7/2007  | Mellen et al.    | ..... | D7/543    |
| D562,159  | S  | * | 2/2008  | Griffith et al.  | ..... | D10/46.2  |

|              |    |   |         |                |       |         |
|--------------|----|---|---------|----------------|-------|---------|
| D564,138     | S  | * | 3/2008  | Dunn et al.    | ..... | D30/129 |
| D571,614     | S  | * | 6/2008  | Curtin         | ..... | D7/545  |
| D577,466     | S  |   | 9/2008  | Shamoon        |       |         |
| D582,101     | S  | * | 12/2008 | Shamoon        | ..... | D30/129 |
| D584,967     | S  |   | 1/2009  | Shamoon        |       |         |
| D601,385     | S  | * | 10/2009 | Savage         | ..... | D7/566  |
| D618,862     | S  |   | 6/2010  | Shamoon et al. |       |         |
| D645,705     | S  |   | 9/2011  | Shamoon        |       |         |
| D665,541     | S  |   | 8/2012  | Shamoon        |       |         |
| D669,738     | S  | * | 10/2012 | Chen           | ..... | D7/543  |
| 2005/0127073 | A1 | * | 6/2005  | Kusuma et al.  | ..... | 220/6   |

\* cited by examiner

*Primary Examiner* — Cynthia Underwood

(74) *Attorney, Agent, or Firm* — Daniel V. Thompson

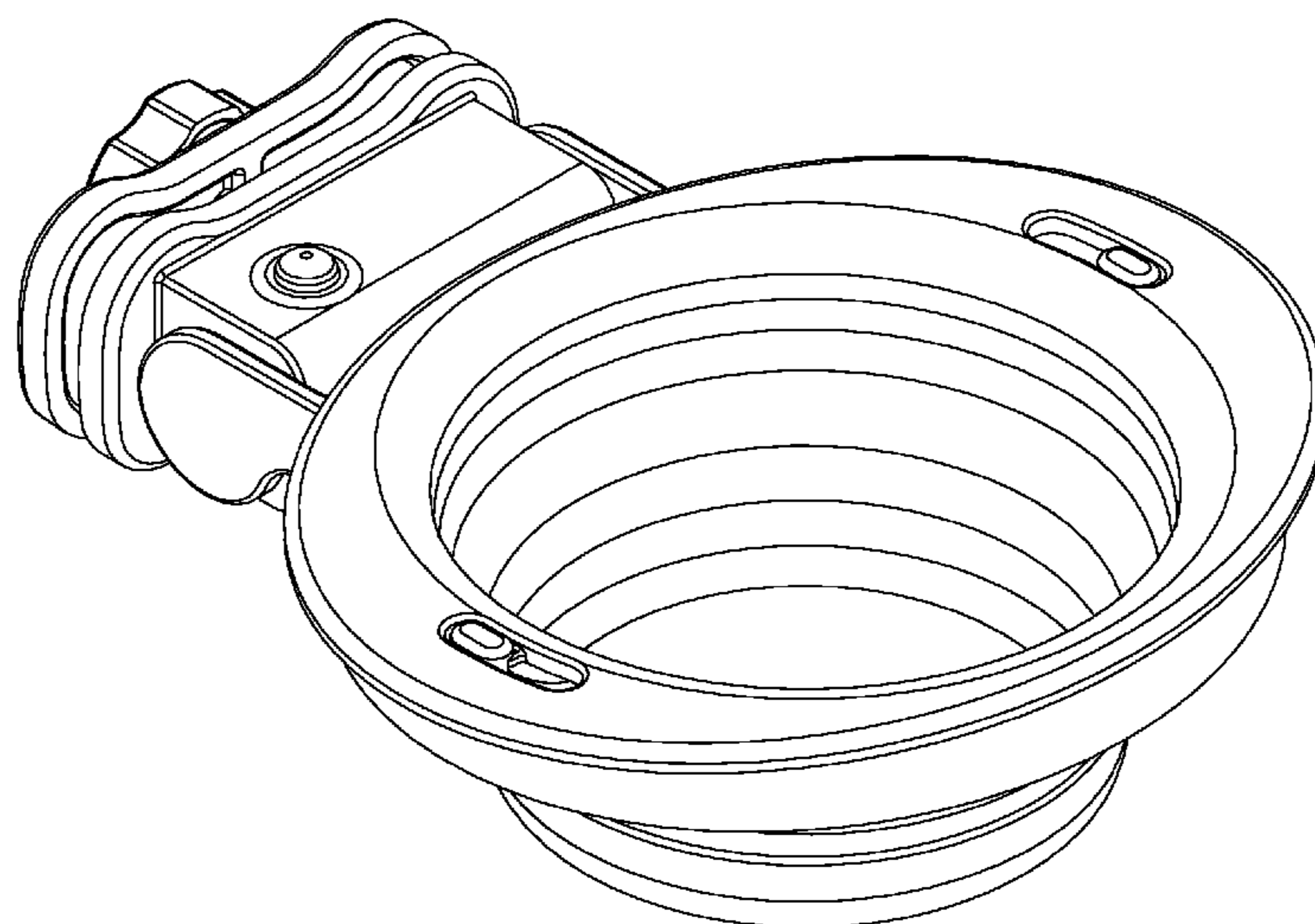
(57) **CLAIM**

The ornamental design for a collapsible bowl with tilt mechanism, as shown and described.

**DESCRIPTION**

FIG. 1 is a top, front perspective view of the collapsible bowl with tilt mechanism showing my new design;  
 FIG. 2 is a top plan view thereof;  
 FIG. 3 is a bottom plan view thereof;  
 FIG. 4 is a front-side elevational view thereof;  
 FIG. 5 is a right-side elevational view thereof, with the left-side elevational view being a mirror-image;  
 FIG. 6 is a back-side elevational view thereof  
 FIG. 7 is an enlarged view of the portion taken from the encircled area "7" of FIG. 2; and  
 FIG. 8 is an enlarged view of the portion taken from the encircled area "8" of FIG. 3; and  
 FIG. 9 is an enlarged view of the portion taken from the encircled area "9" of FIG. 3; and,  
 FIG. 10 is an enlarged view of the portion taken from the encircled area "10" of FIG. 3.  
 The broken lines are included for the purpose of illustrating portions of the invention and form no part of the claim.

**1 Claim, 8 Drawing Sheets**



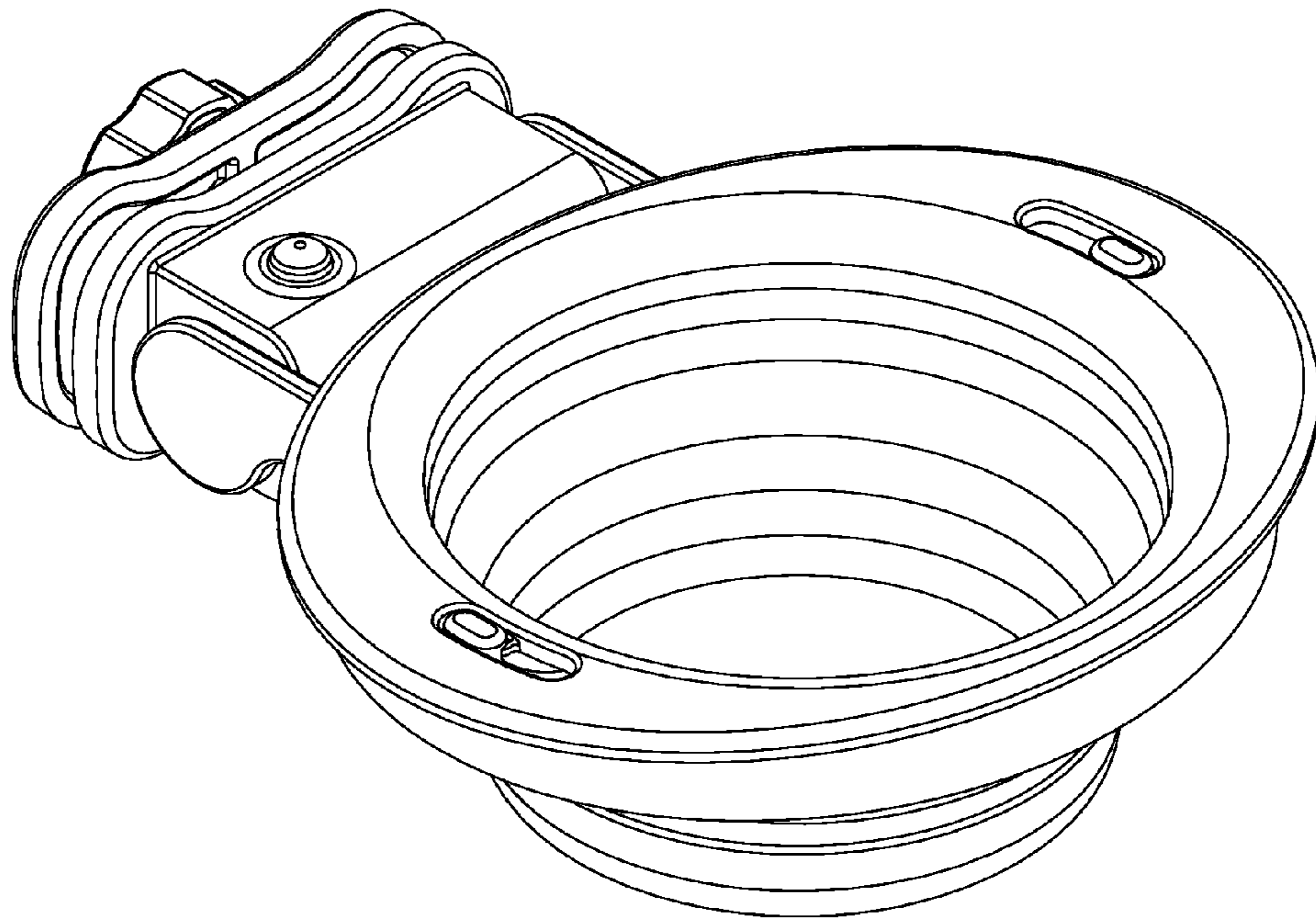


Fig. 1

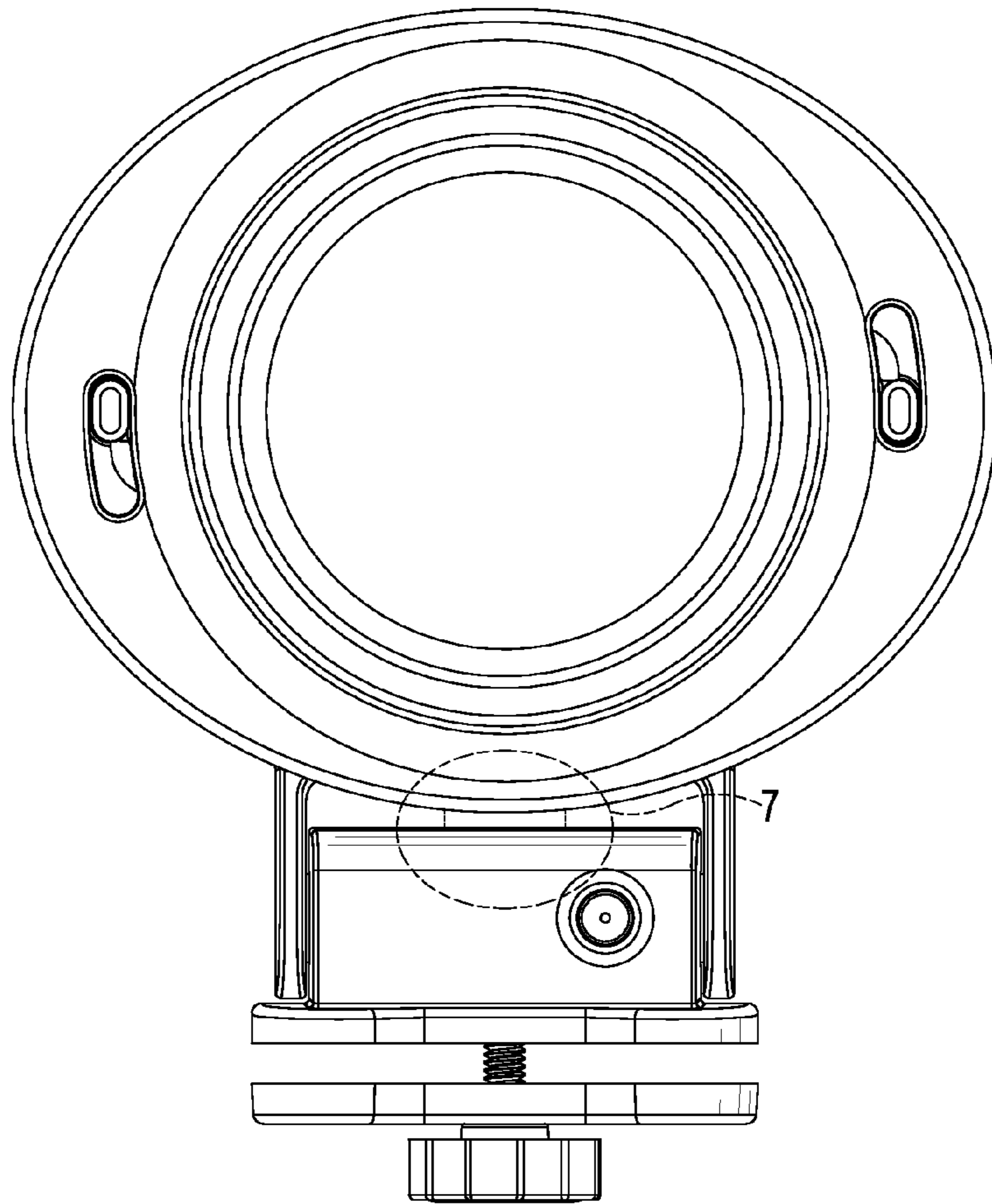


Fig. 2

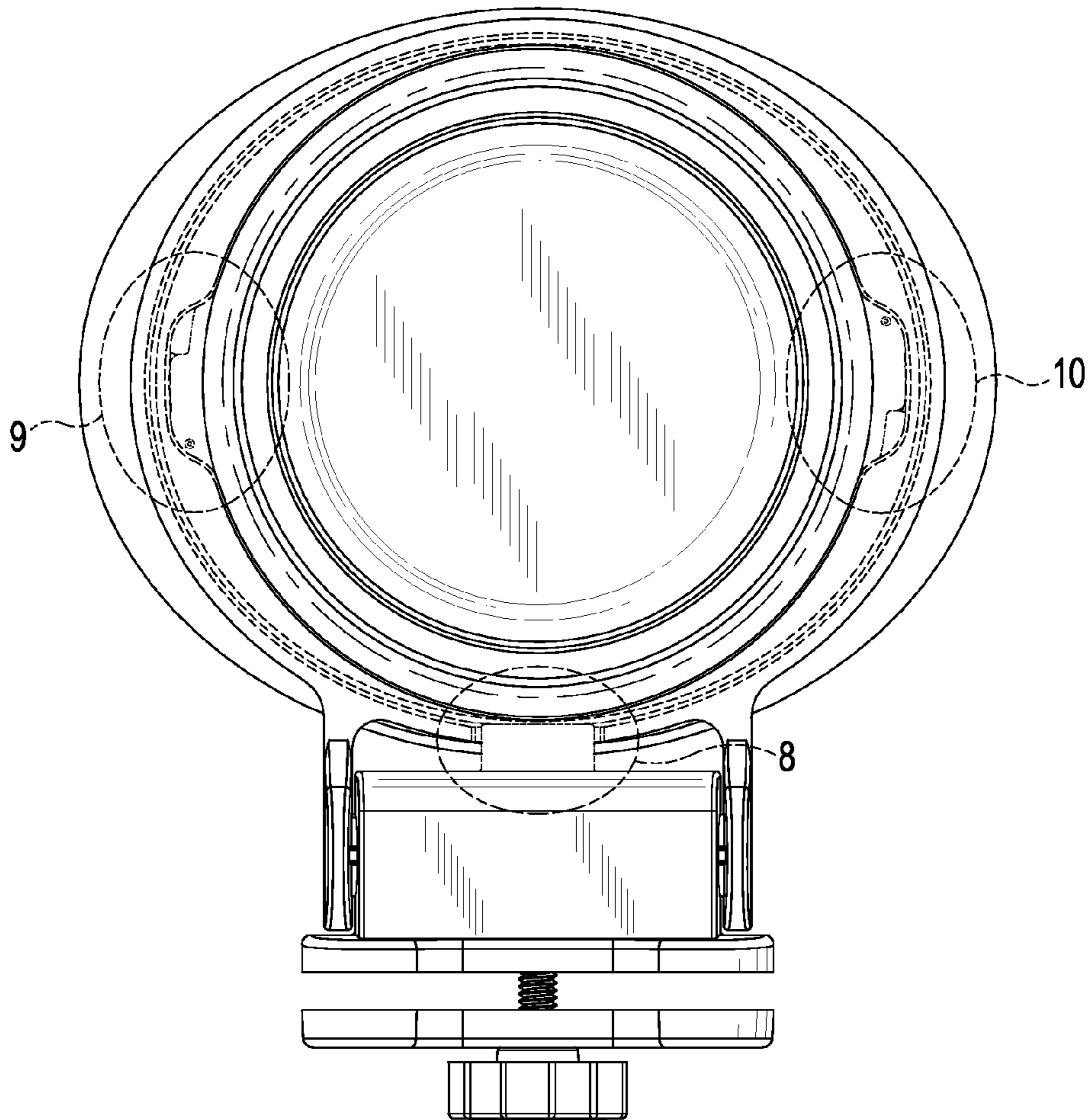


Fig. 3

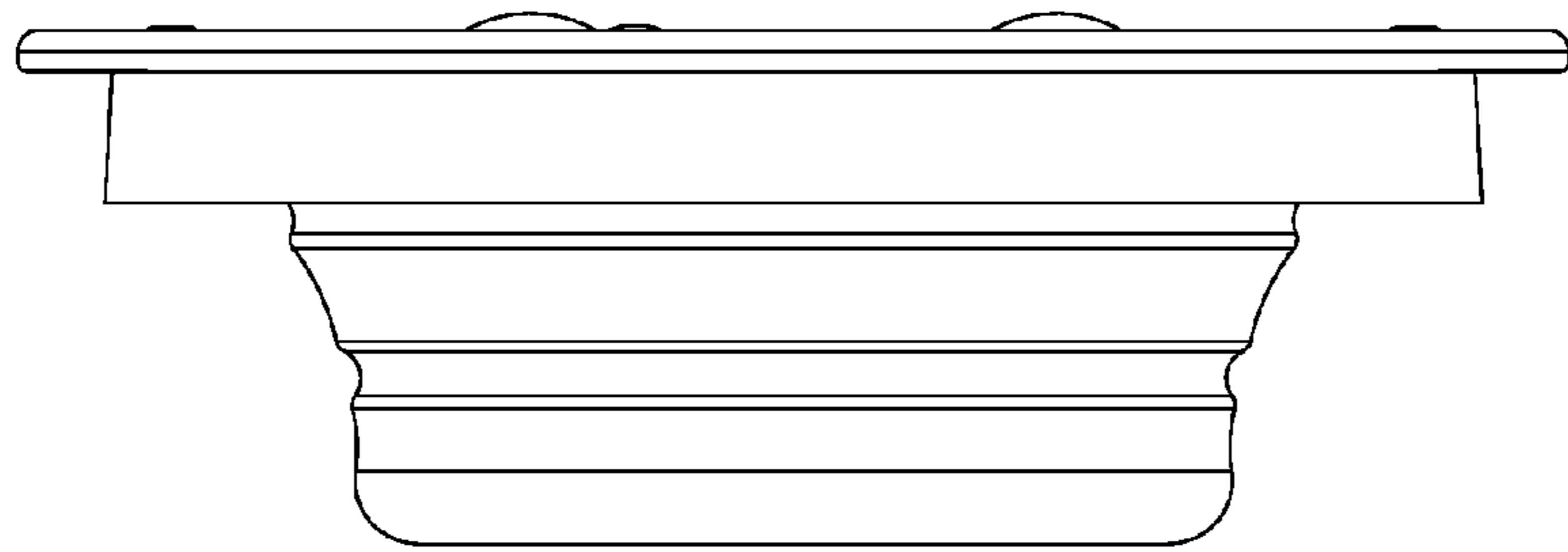


Fig. 4

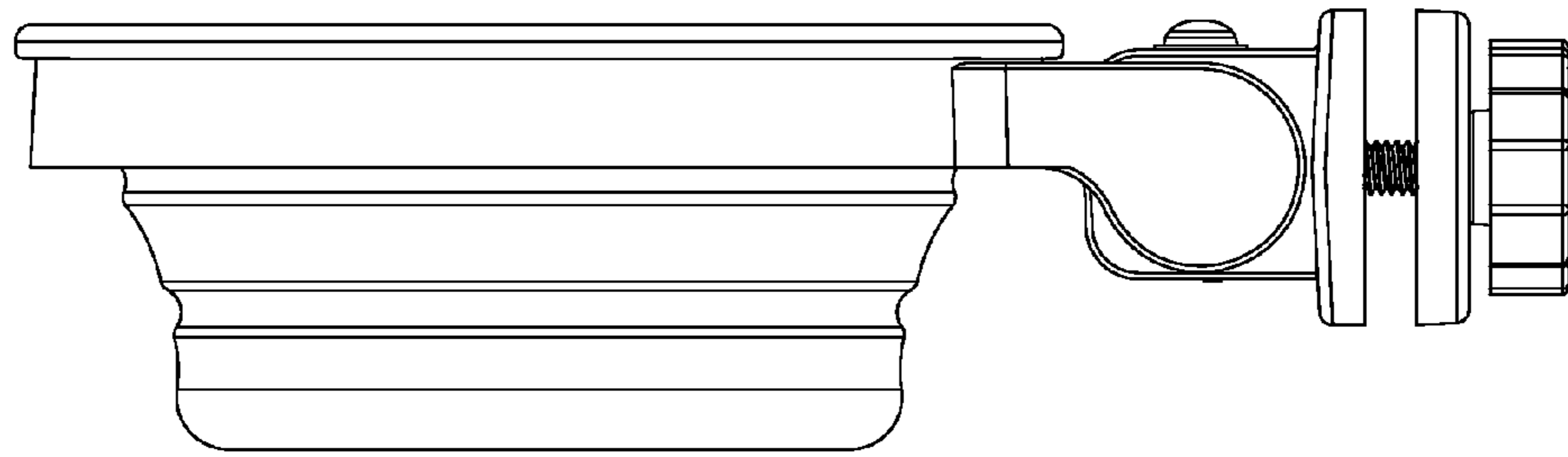


Fig. 5

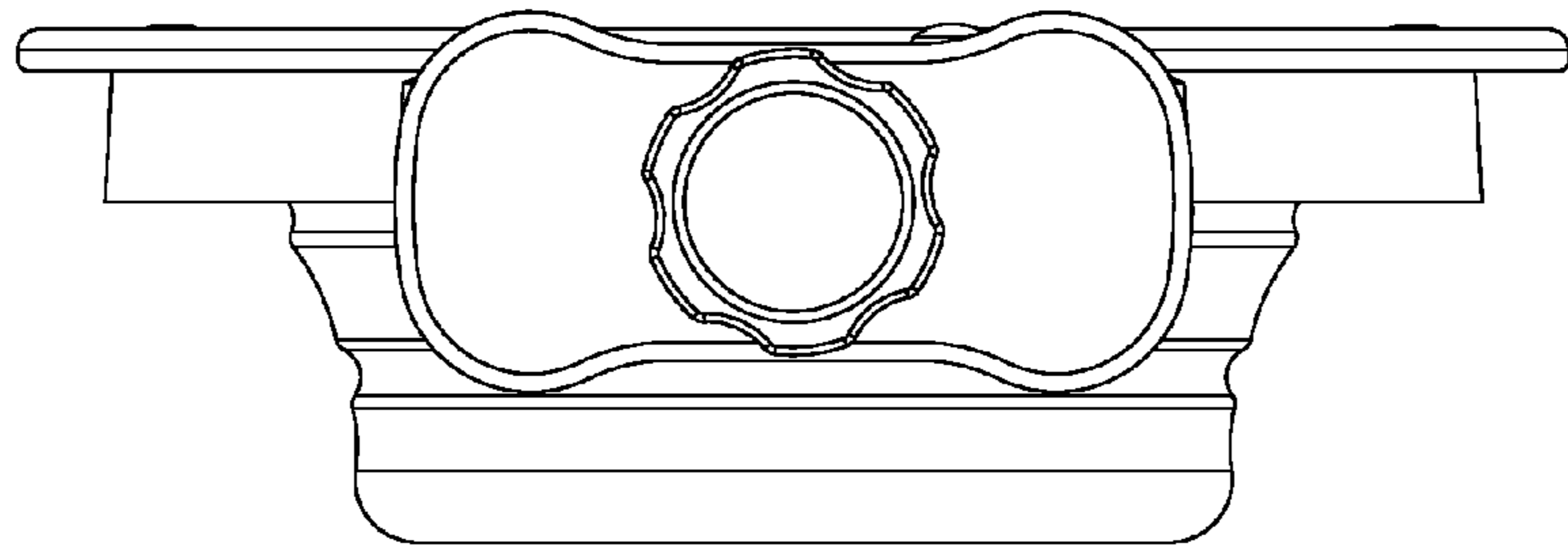


Fig. 6

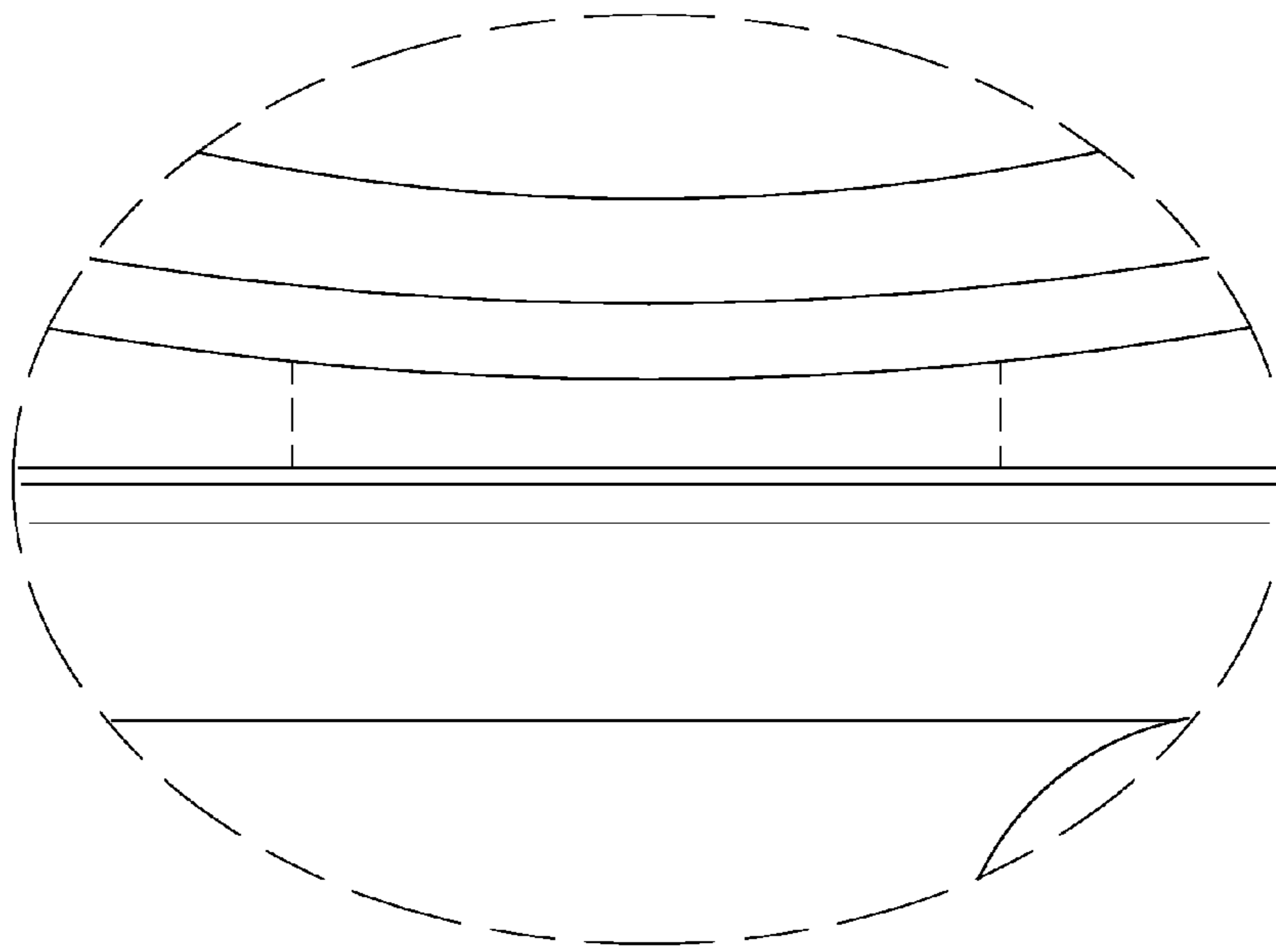


Fig. 7

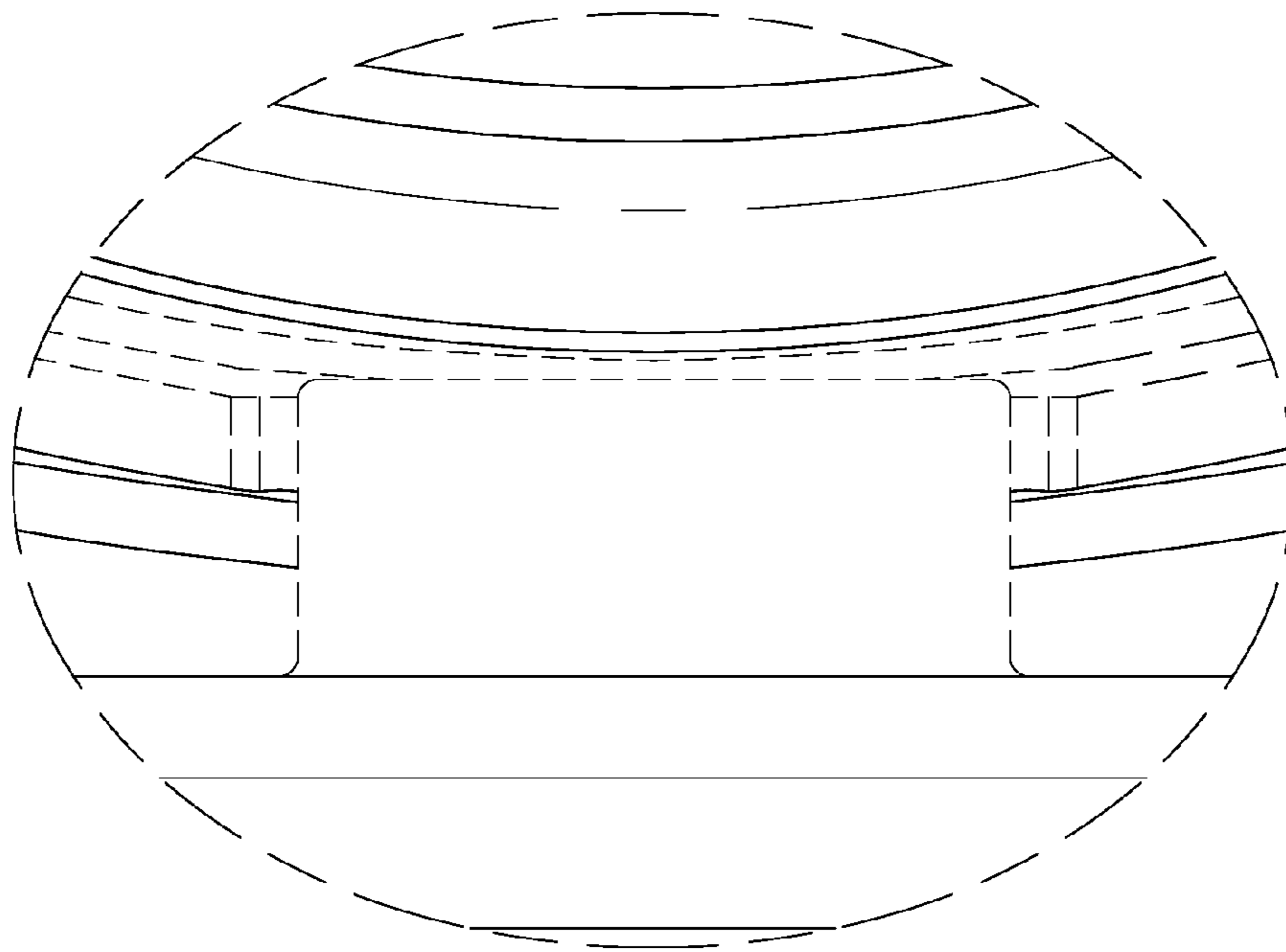


Fig. 8

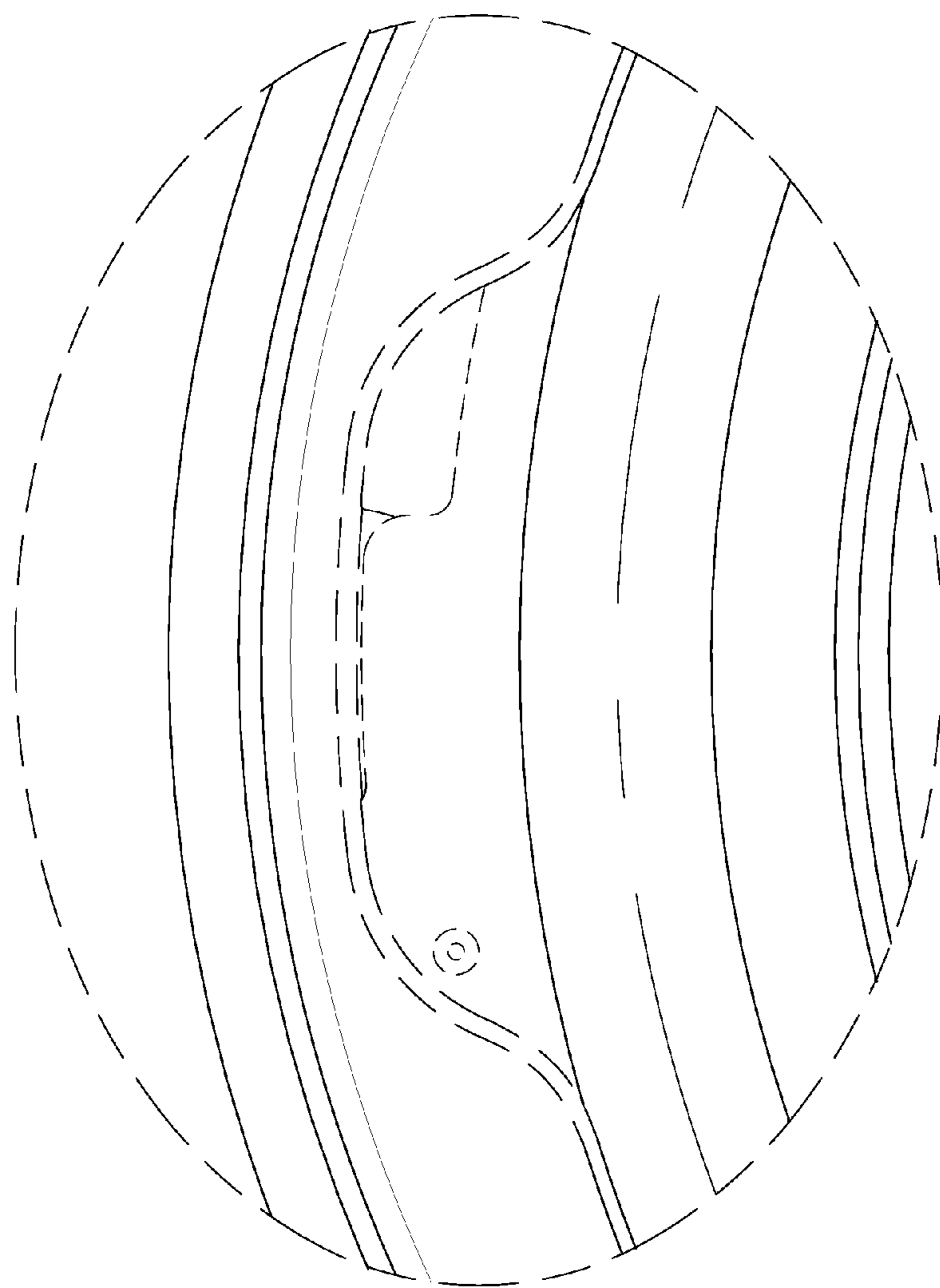


Fig. 9



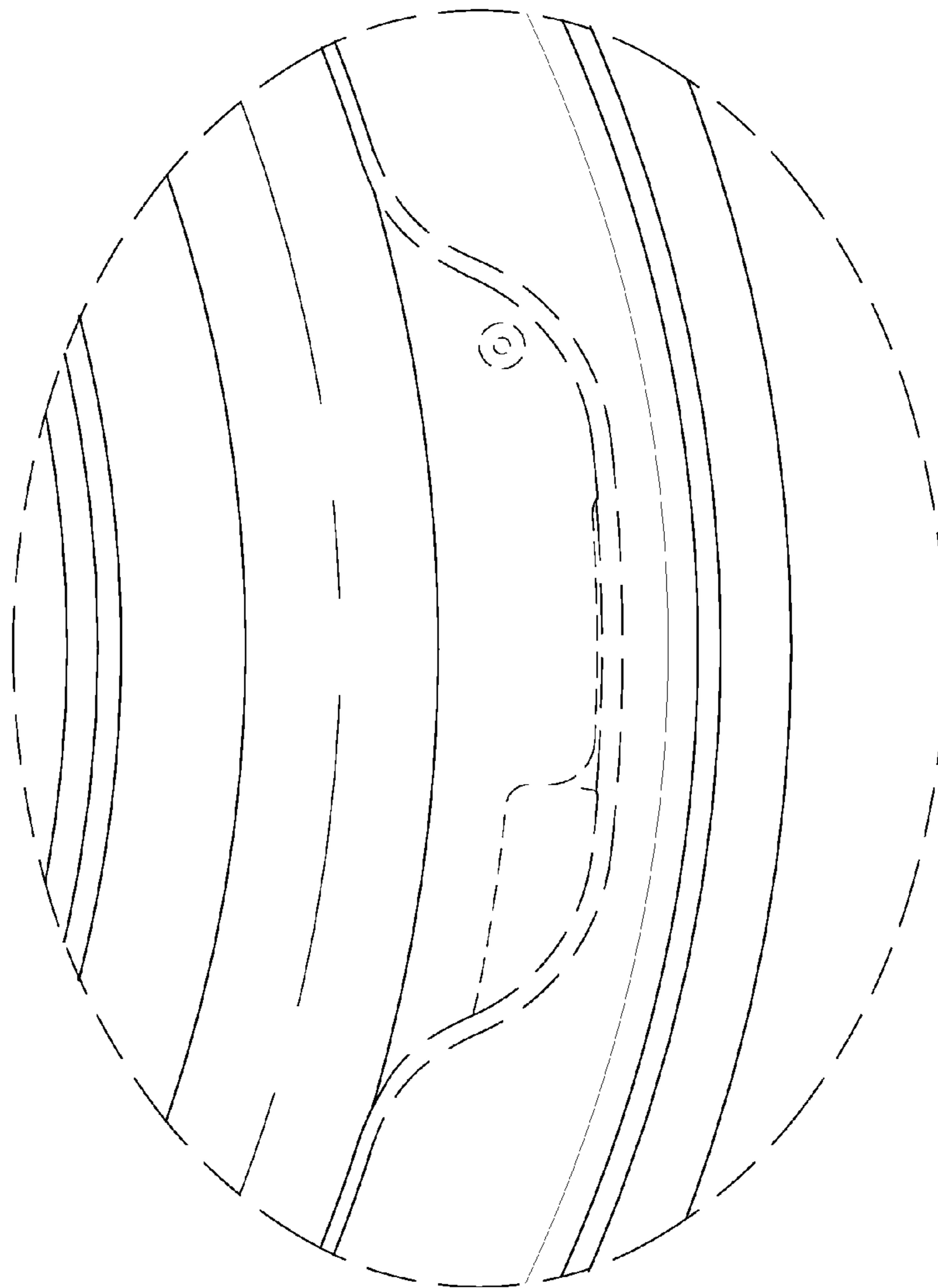


Fig. 10