

US00D696073S

(12) **United States Design Patent**
Miller et al.

(10) **Patent No.:** **US D696,073 S**
(45) **Date of Patent:** **** Dec. 24, 2013**

(54) **BEVERAGE CONTAINER**
(71) Applicant: **Ignite USA, LLC**, Chicago, IL (US)
(72) Inventors: **Blair Miller**, Chicago, IL (US); **David Joseph**, Oak Park, IL (US)
(73) Assignee: **Ignite USA, LLC**, Chicago, IL (US)
(**) Term: **14 Years**

3,967,748 A 7/1976 Albert
3,972,443 A 8/1976 Albert
4,094,433 A 6/1978 Numbers
4,099,642 A 7/1978 Nergard
4,133,446 A 1/1979 Albert
4,136,799 A 1/1979 Albert
4,171,060 A 10/1979 Howard et al.
4,212,408 A 7/1980 Valenzona
4,276,992 A 7/1981 Susich
4,303,173 A 12/1981 Nergard
D288,667 S 3/1987 Miner
D291,537 S * 8/1987 Crawford et al. D9/440

(21) Appl. No.: **29/440,968**

(22) Filed: **Dec. 28, 2012**

Related U.S. Application Data

(62) Division of application No. 29/406,589, filed on Nov. 16, 2011, now Pat. No. Des. 675,873.

(51) **LOC (9) Cl.** **07-01**

(52) **U.S. Cl.**
USPC **D7/510; D7/396.2**

(58) **Field of Classification Search**
USPC D7/510, 511, 536, 532, 523, 531;
D9/551, 529; 215/121, 382, 387;
220/674, 715, 713, 718, 592.16,
220/592.17, 709, 708
See application file for complete search history.

(56) **References Cited**

U.S. PATENT DOCUMENTS

830,142 A 9/1906 Ebbing
1,072,588 A 9/1913 Duncan
2,193,232 A 3/1940 Hacmac
2,447,870 A 8/1948 Polcyn
2,622,420 A 12/1952 Rice
2,799,437 A 7/1957 Jepson
3,059,816 A 10/1962 Goldstein
D209,483 S * 12/1967 Frank D9/454
3,635,380 A 1/1972 Fitzgerald
3,739,938 A 6/1973 Paz
3,964,631 A 6/1976 Albert

(Continued)

Primary Examiner — Susan Bennett Hattan

Assistant Examiner — Janice Hallmark

(74) *Attorney, Agent, or Firm* — McDermott Will & Emery LLP

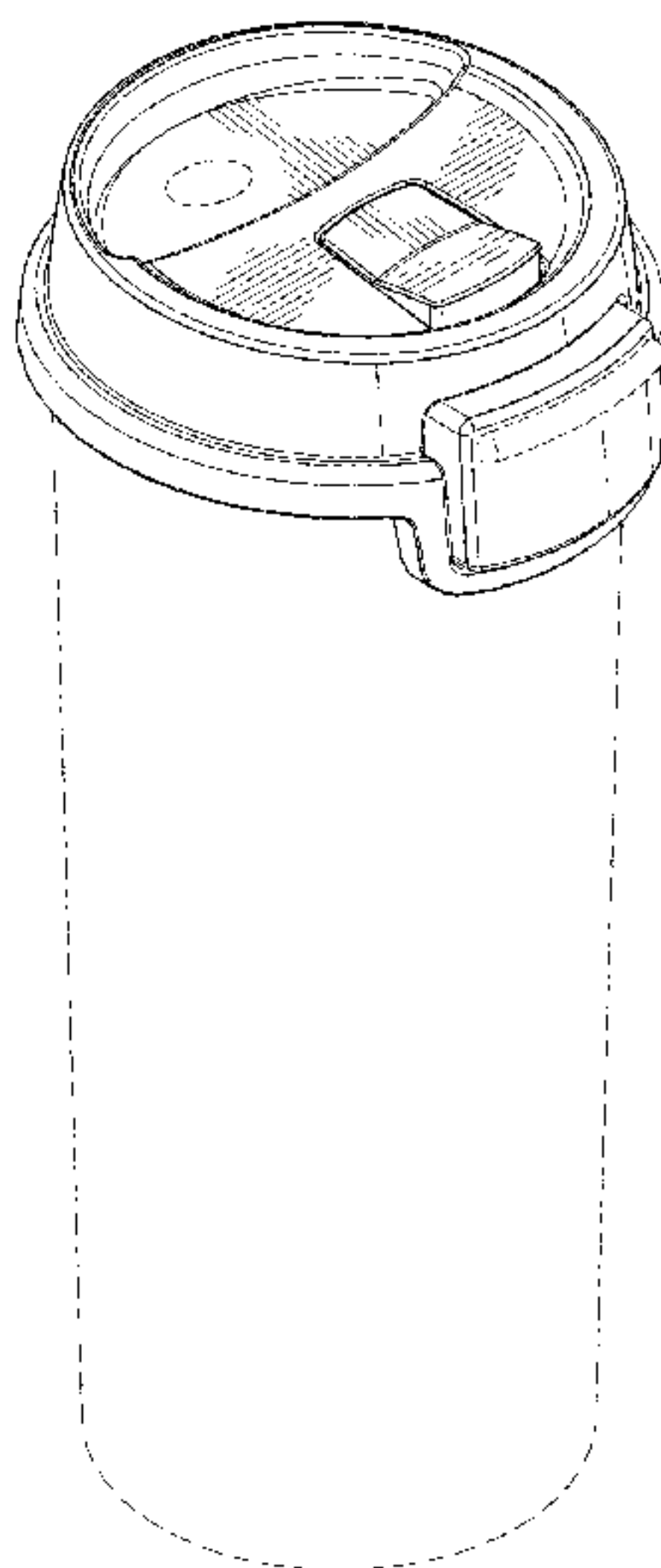
(57) **CLAIM**

We claim the ornamental design for a beverage container, as shown and described.

DESCRIPTION

FIG. 1 is a perspective view of a beverage container according to the new design;
FIG. 2 is a front view of the beverage container shown in FIG. 1;
FIG. 3 is a left side view of the beverage container shown in FIG. 1;
FIG. 4 is a back view of the beverage container shown in FIG. 1;
FIG. 5 is a right side view of the beverage container shown in FIG. 1;
FIG. 6 is a top view of the beverage container shown in FIG. 1; and,
FIG. 7 is a bottom view of the beverage container shown in FIG. 1.
Features shown in broken lines in the drawings depict environment and are not part of the claim.

1 Claim, 4 Drawing Sheets



(56)

References Cited

U.S. PATENT DOCUMENTS

| | | | | | | | |
|-----------|-----|---------|-----------------------------|-----------|-----|---------|---------------------------|
| 4,686,725 | A | 8/1987 | Mitchell | 6,401,990 | B1 | 6/2002 | Walters et al. |
| 4,706,313 | A | 11/1987 | Murphy | D460,894 | S | 7/2002 | Ziegenfus et al. |
| 4,711,372 | A | 12/1987 | Gach | 6,443,325 | B1 | 9/2002 | Schaper et al. |
| 4,712,704 | A | 12/1987 | Ramsey et al. | 6,471,085 | B1 | 10/2002 | Gallo |
| 4,779,766 | A | 10/1988 | Kinsley | D470,009 | S | 2/2003 | Turchi et al. |
| 4,801,053 | A | 1/1989 | Kaster | D471,808 | S | 3/2003 | de Castro Couto |
| 4,881,668 | A | 11/1989 | Kitterman et al. | 6,557,717 | B1 | 5/2003 | Keck |
| 4,901,387 | A | 2/1990 | Luke | 6,623,080 | B2 | 9/2003 | Clapper |
| D315,872 | S | 4/1991 | Bixler | 6,644,490 | B2 | 11/2003 | Clarke |
| 5,025,519 | A | 6/1991 | Spann et al. | 6,679,397 | B2 | 1/2004 | Smith et al. |
| 5,039,158 | A | 8/1991 | Maier | 6,701,556 | B2 | 3/2004 | Romano et al. |
| 5,070,560 | A | 12/1991 | Wilkinson | 6,702,137 | B1 | 3/2004 | Kowa et al. |
| 5,082,134 | A | 1/1992 | Ramsey | 6,732,875 | B2 | 5/2004 | Smith et al. |
| 5,118,014 | A | 6/1992 | Hestehave et al. | 6,732,876 | B2 | 5/2004 | Belcastro |
| 5,153,977 | A | 10/1992 | Toida et al. | 6,732,964 | B2 | 5/2004 | Couchey |
| 5,163,196 | A | 11/1992 | Graebe et al. | 6,763,964 | B1 | 7/2004 | Hurlbut et al. |
| 5,169,016 | A | 12/1992 | Hinz, Jr. | 6,782,574 | B2 | 8/2004 | Totton et al. |
| 5,179,742 | A | 1/1993 | Oberle | D500,428 | S * | 1/2005 | Ward et al. D7/392.1 |
| 5,186,353 | A | 2/1993 | Ramsey | 6,854,615 | B2 | 2/2005 | von Ronn et al. |
| 5,199,597 | A | 4/1993 | Gladish | D502,844 | S | 3/2005 | Roho |
| 5,222,623 | A | 6/1993 | Eger et al. | 6,874,185 | B1 | 4/2005 | Phillips et al. |
| 5,244,113 | A | 9/1993 | Stymiest | 6,901,617 | B2 | 6/2005 | Sprouse, II et al. |
| 5,249,703 | A | 10/1993 | Karp | D508,185 | S | 8/2005 | Gauss |
| 5,252,278 | A | 10/1993 | Spann et al. | 6,922,863 | B2 | 8/2005 | Giori et al. |
| 5,307,950 | A | 5/1994 | Li | 6,928,681 | B1 | 8/2005 | Stacy |
| D355,322 | S | 2/1995 | Ackley et al. | 6,952,852 | B2 | 10/2005 | Reeder et al. |
| 5,412,821 | A | 5/1995 | Wilkinson | 6,976,281 | B2 | 12/2005 | Schunk et al. |
| 5,427,271 | A | 6/1995 | Wang | 6,978,910 | B2 | 12/2005 | Sanders et al. |
| 5,461,741 | A | 10/1995 | Graebe | D513,452 | S | 1/2006 | Parve |
| 5,462,185 | A | 10/1995 | Walker, III | 7,011,227 | B2 | 3/2006 | Ward et al. |
| 5,465,866 | A | 11/1995 | Belcastro | D522,794 | S | 6/2006 | Imar |
| 5,477,980 | A | 12/1995 | Chaffin | D523,340 | S | 6/2006 | Westphal |
| 5,485,938 | A | 1/1996 | Boersma | 7,073,678 | B1 | 7/2006 | Dibdin et al. |
| D367,611 | S | 3/1996 | Wagner et al. | D526,898 | S | 8/2006 | Isono et al. |
| D373,927 | S | 9/1996 | Kramer et al. | D526,899 | S | 8/2006 | Mangin et al. |
| 5,570,797 | A | 11/1996 | Yeh | 7,086,107 | B2 | 8/2006 | Ellis et al. |
| 5,573,139 | A | 11/1996 | Yeh | D529,379 | S * | 10/2006 | Mengeu et al. D9/447 |
| 5,580,504 | A | 12/1996 | Spann et al. | D529,761 | S | 10/2006 | Trombly |
| 5,586,346 | A | 12/1996 | Stacy et al. | D533,064 | S | 12/2006 | Glynn et al. |
| 5,596,781 | A | 1/1997 | Graebe | 7,195,137 | B2 | 3/2007 | Belcastro |
| 5,606,754 | A | 3/1997 | Hand et al. | D540,625 | S | 4/2007 | Sandberg |
| 5,630,238 | A | 5/1997 | Weismiller et al. | 7,201,288 | B2 | 4/2007 | von Ronn et al. |
| 5,649,331 | A | 7/1997 | Wilkinson et al. | D541,572 | S | 5/2007 | Watanabe |
| 5,652,985 | A | 8/1997 | Wilkinson et al. | D544,300 | S | 6/2007 | Tien |
| 5,666,681 | A | 9/1997 | Meyer et al. | 7,229,134 | B2 | 6/2007 | Ito |
| 5,680,951 | A | 10/1997 | Feltman, III et al. | D547,122 | S | 7/2007 | Gluck |
| 5,689,845 | A | 11/1997 | Sobieralski | D547,611 | S | 7/2007 | Seum et al. |
| D386,948 | S | 12/1997 | Wissinger | D548,008 | S | 8/2007 | Lin |
| 5,753,289 | A | 5/1998 | Ness | D548,508 | S | 8/2007 | Tonelli |
| D394,778 | S | 6/1998 | Arns et al. | D552,990 | S | 10/2007 | Vogel |
| D397,905 | S | 9/1998 | Hsu | D554,433 | S | 11/2007 | Gluck |
| 5,845,352 | A | 12/1998 | Matsler et al. | D554,992 | S | 11/2007 | Mangin et al. |
| D404,613 | S | 1/1999 | Hatsumoto et al. | D555,000 | S | 11/2007 | Bunce et al. |
| D405,011 | S * | 2/1999 | DeCoster et al. D9/447 | D555,514 | S | 11/2007 | Munn |
| D406,006 | S | 2/1999 | Hatsumoto et al. | D555,970 | S | 11/2007 | Schreitmueller et al. |
| D408,221 | S | 4/1999 | Asberg | D558,111 | S | 12/2007 | Banks, III |
| D416,755 | S | 11/1999 | Trombly | D560,435 | S | 1/2008 | Meehan |
| 5,987,668 | A | 11/1999 | Ackley | D564,840 | S | 3/2008 | Williams |
| D417,360 | S | 12/1999 | Bickert et al. | D564,841 | S | 3/2008 | Clemens et al. |
| 6,010,029 | A | 1/2000 | Wang | D564,874 | S | 3/2008 | Mangin et al. |
| 6,036,271 | A | 3/2000 | Wilkinson et al. | D569,182 | S | 5/2008 | Homma |
| 6,053,474 | A | 4/2000 | Stucke et al. | D572,531 | S | 7/2008 | Romandy et al. |
| 6,098,834 | A | 8/2000 | Hatsumoto et al. | D573,404 | S | 7/2008 | Wahl |
| 6,102,244 | A | 8/2000 | Kuwano et al. | 7,413,096 | B2 | 8/2008 | Morgan et al. |
| 6,119,291 | A | 9/2000 | Osborne et al. | D577,582 | S | 9/2008 | Walsh et al. |
| 6,126,035 | A | 10/2000 | Schaper et al. | D577,958 | S | 10/2008 | Homma |
| 6,158,608 | A | 12/2000 | Schlattl | D581,727 | S | 12/2008 | Pinelli et al. |
| RE37,016 | E | 1/2001 | Morano | D584,107 | S | 1/2009 | George |
| D437,229 | S | 2/2001 | Andrew | D587,060 | S | 2/2009 | Tong Chi Chung |
| 6,223,369 | B1 | 5/2001 | Maier et al. | D587,969 | S | 3/2009 | Gilbert |
| 6,276,560 | B1 | 8/2001 | Belcastro | D588,411 | S | 3/2009 | Watanabe |
| D447,693 | S | 9/2001 | Warner et al. | D589,750 | S | 4/2009 | Liu et al. |
| 6,324,709 | B1 | 12/2001 | Ikeda et al. | D592,012 | S | 5/2009 | Carreno |
| 6,351,863 | B1 | 3/2002 | Meyer et al. | D592,456 | S | 5/2009 | Pinelli |
| 6,352,166 | B1 | 3/2002 | Copeland | D592,905 | S | 5/2009 | Pinelli |
| | | | | D592,913 | S | 5/2009 | Pinelli |
| | | | | 7,546,933 | B2 | 6/2009 | Pinelli |
| | | | | D611,764 | S | 3/2010 | Wahl et al. |
| | | | | D623,473 | S | 9/2010 | Chen |

(56)

References Cited

U.S. PATENT DOCUMENTS

D623,474 S 9/2010 Carlson et al.
D623,476 S 9/2010 Carlson et al.
D629,653 S 12/2010 Gullickson et al.
D634,161 S 3/2011 Roth et al.
RE42,484 E 6/2011 Kitamura et al.
D640,094 S 6/2011 Carlson et al.
7,997,442 B2 8/2011 Pinelli
D648,985 S 11/2011 Chiu et al.

D656,787 S 4/2012 Phillips et al.
D658,443 S 5/2012 Chiu et al.
D675,873 S * 2/2013 Miller et al. D7/510
D676,278 S * 2/2013 Wong D7/510
D686,074 S * 7/2013 Brinckerhoff et al. D9/447
2003/0071041 A1 4/2003 Vogel
2005/0028289 A1 2/2005 Hakamiun
2006/0043091 A1 3/2006 Pinelli et al.
2006/0226160 A1 10/2006 Elsaden et al.
2012/0285961 A1* 11/2012 Roth et al. 220/254.3
2013/0119060 A1* 5/2013 Chiou et al. 220/254.3

* cited by examiner

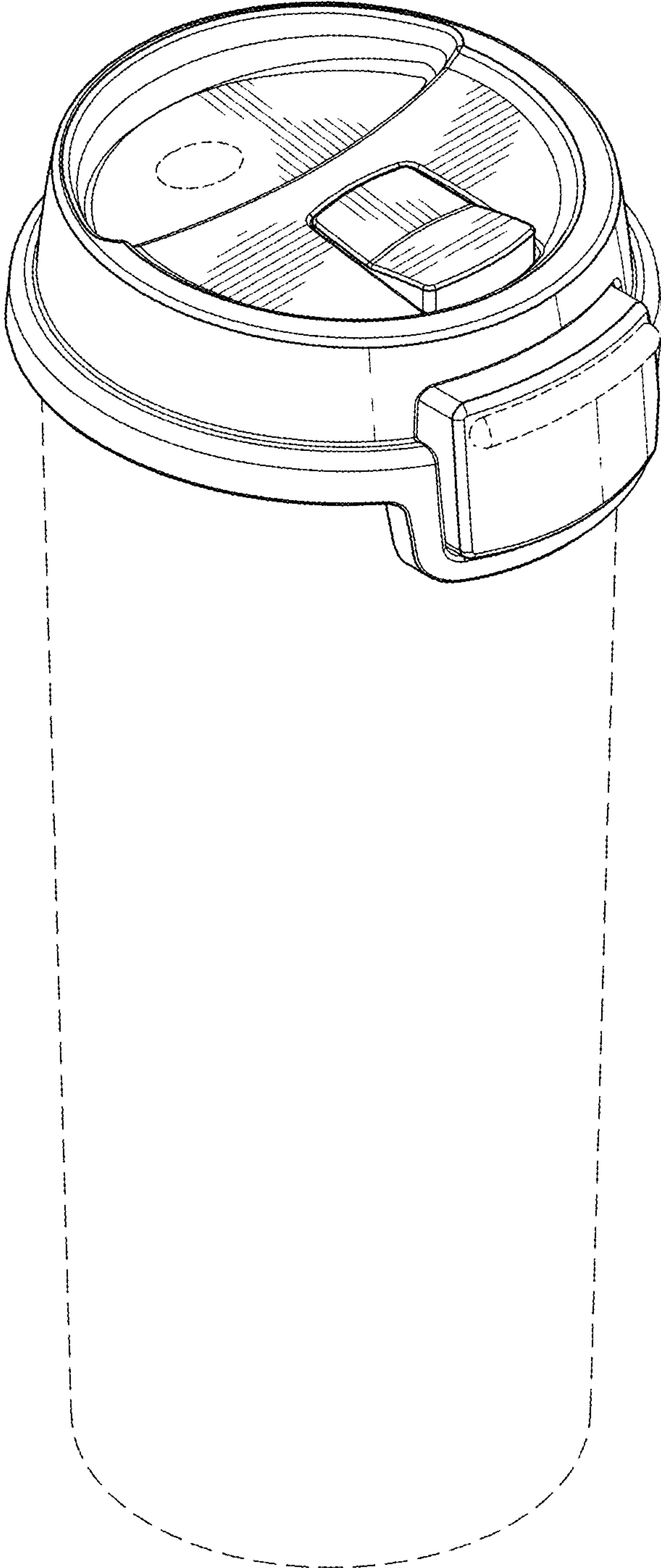


FIG. 1

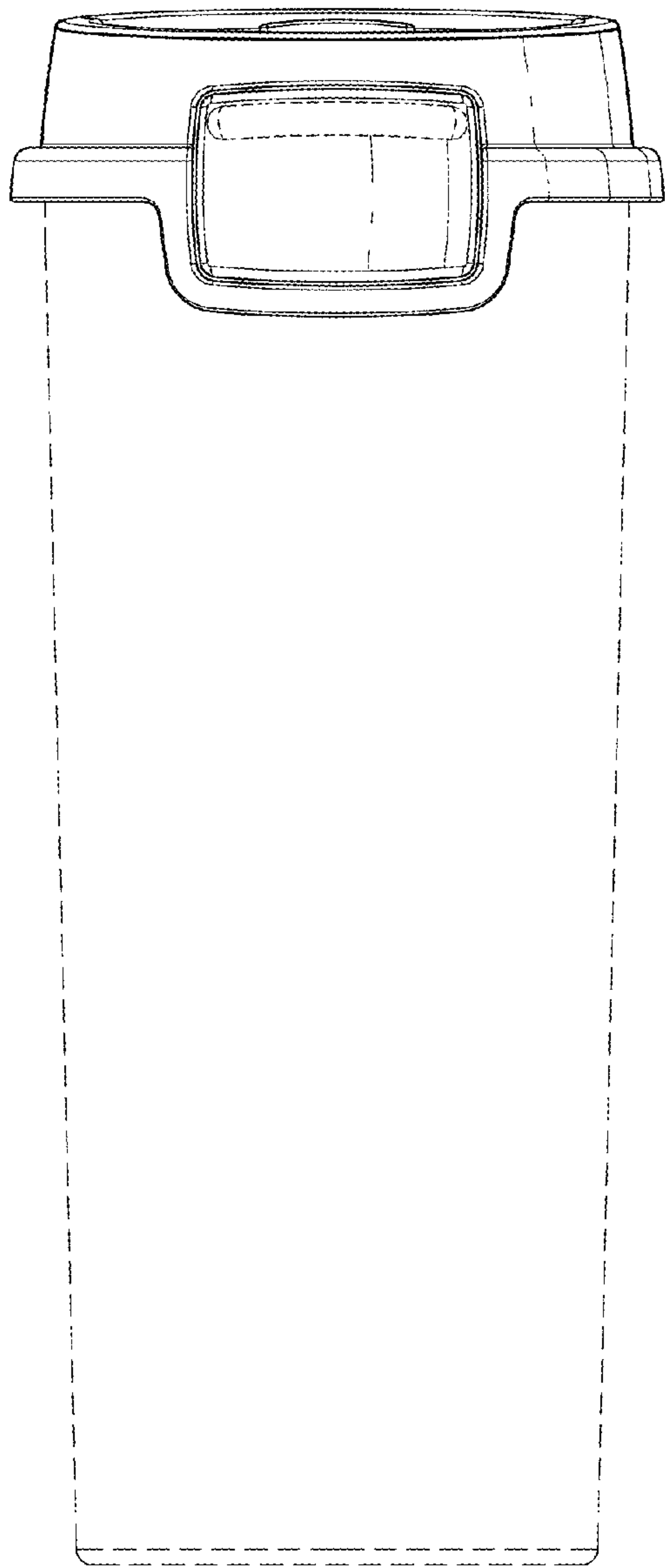


FIG. 2

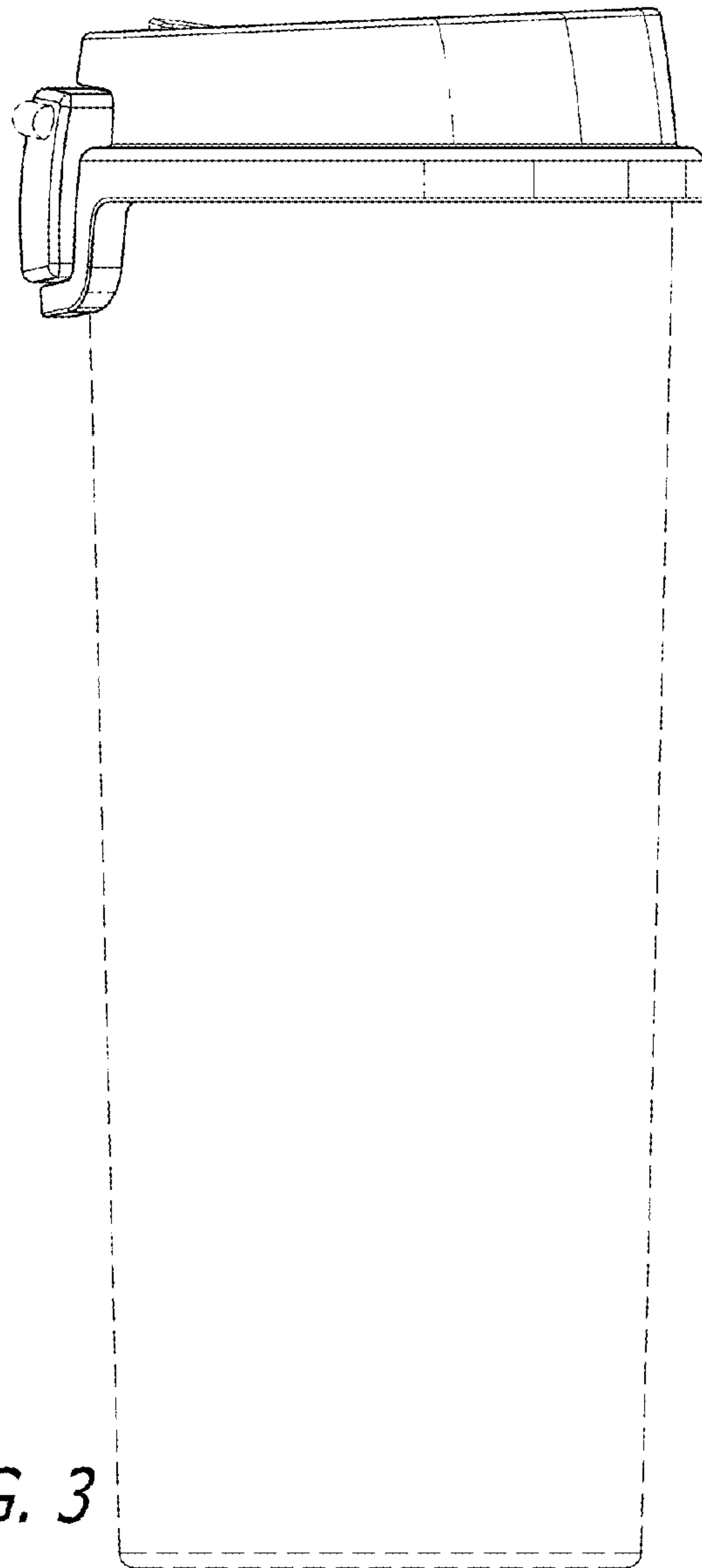


FIG. 3

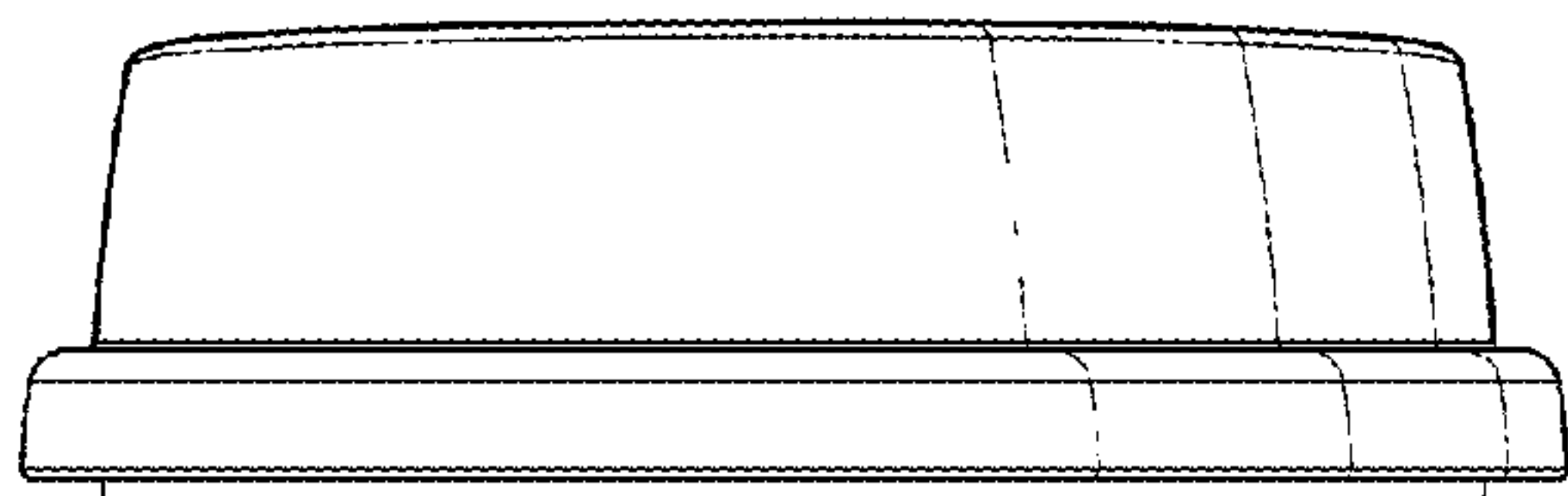


FIG. 4

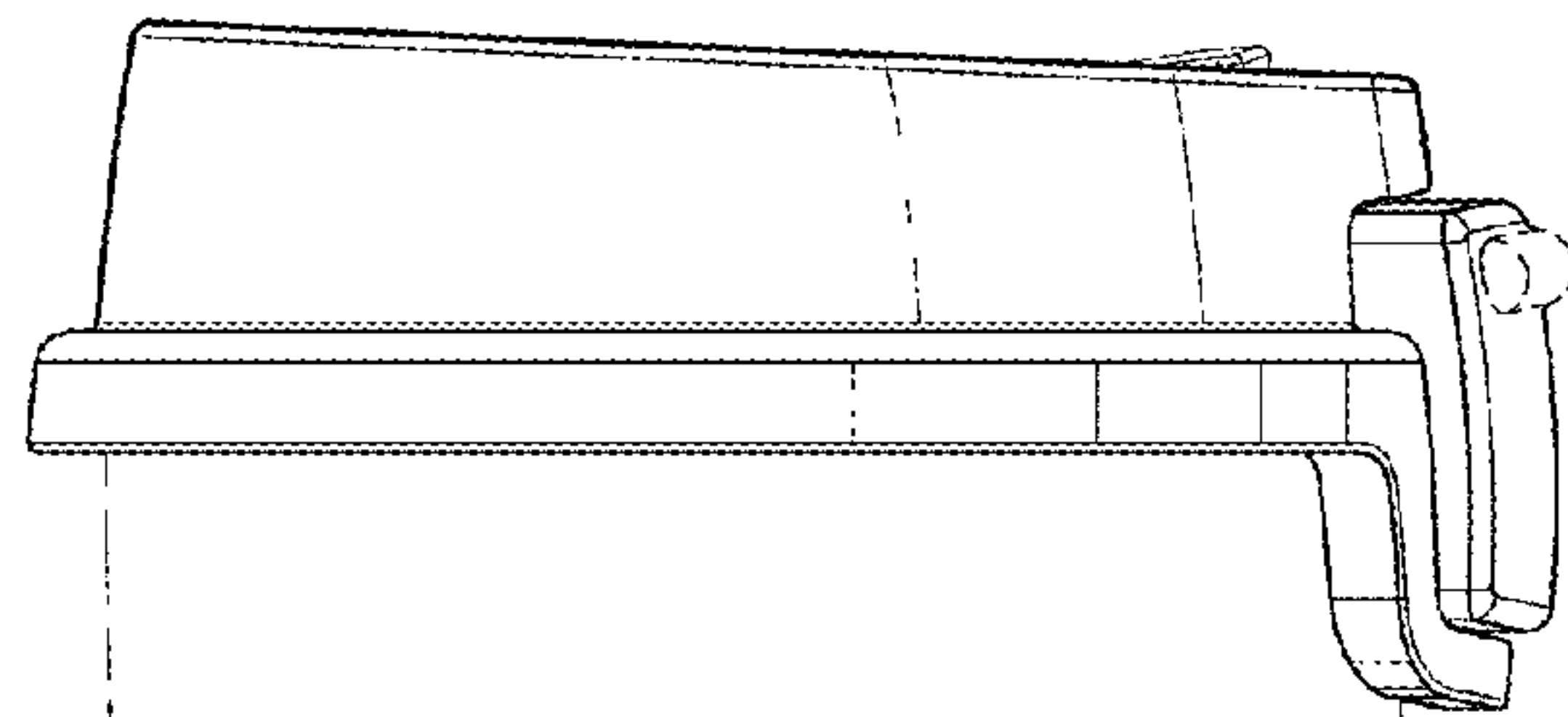


FIG. 5

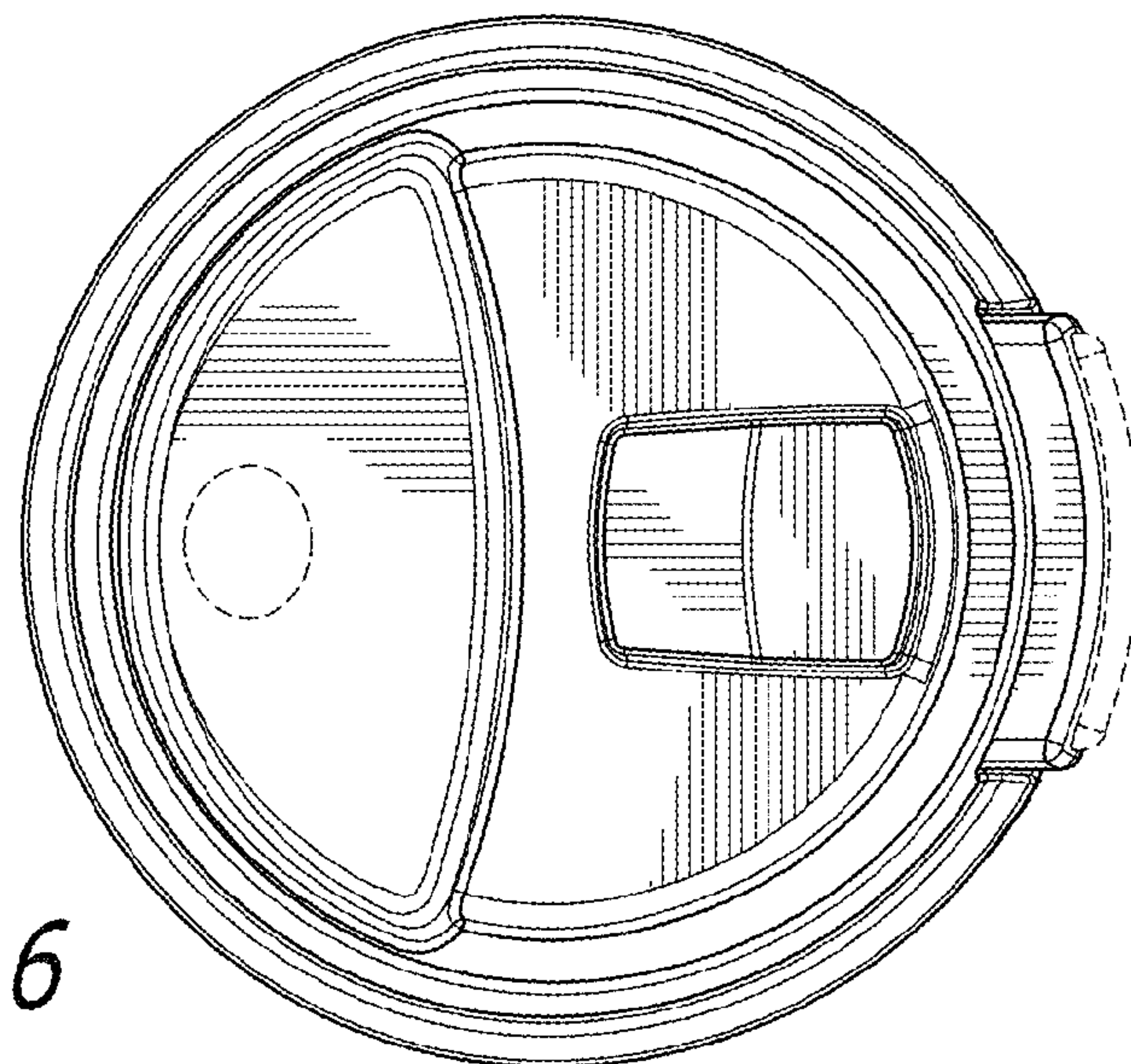


FIG. 6

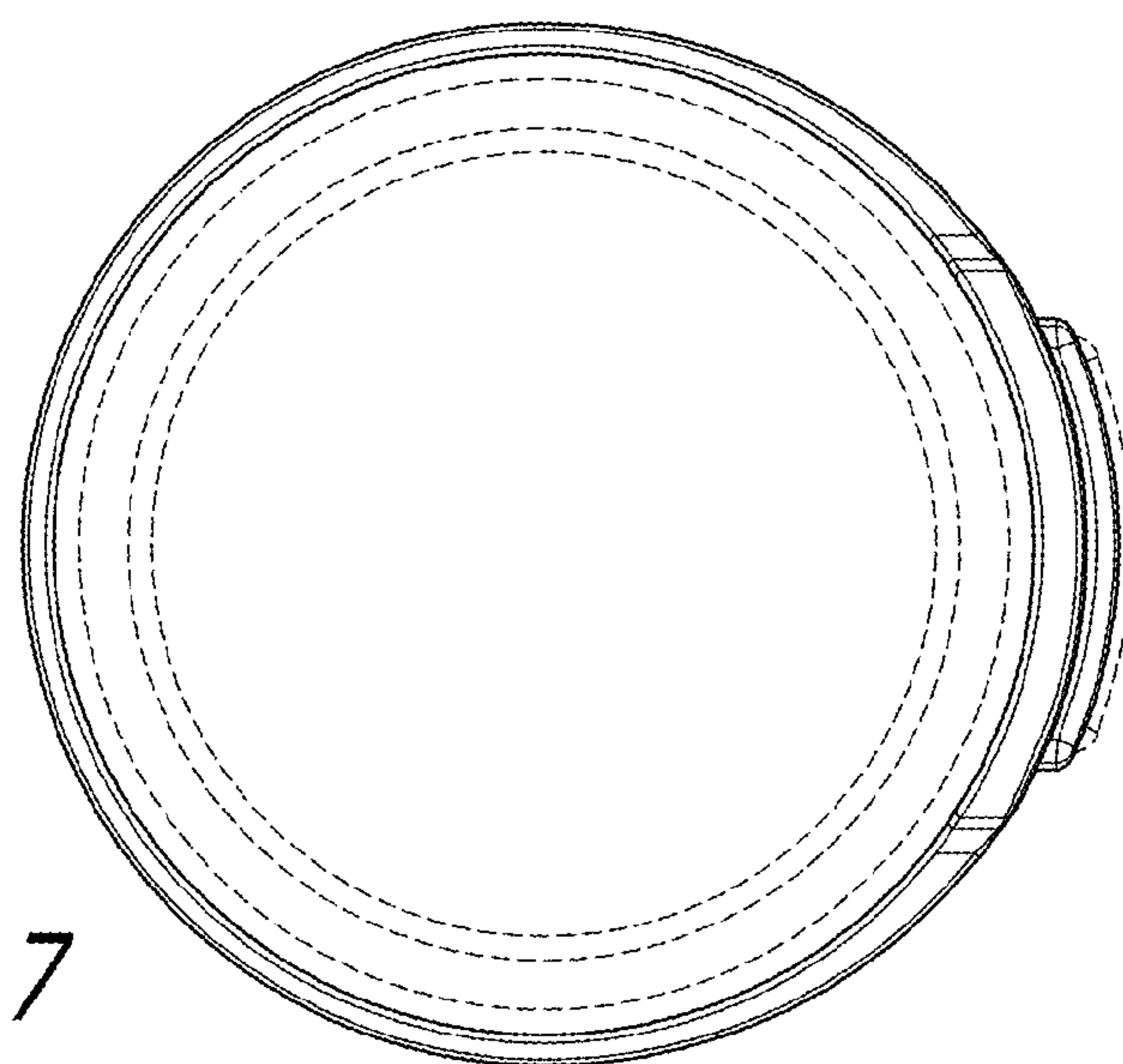


FIG. 7