



US00D696071S

(12) **United States Design Patent**
Hammad

(10) **Patent No.:** **US D696,071 S**

(45) **Date of Patent:** **** Dec. 24, 2013**

(54) **MIXING PADDLE**

(56) **References Cited**

(71) Applicant: **Sunbeam Products, Inc.**, Boca Raton,
FL (US)

U.S. PATENT DOCUMENTS

(72) Inventor: **Jamal Hammad**, Boynton Beach, FL
(US)

2,753,162	A *	7/1956	Conley	416/175
3,154,297	A *	10/1964	Lovgren	416/227 R
4,844,355	A *	7/1989	Kemp et al.	241/172
D306,685	S *	3/1990	Nadeau	D8/70
5,030,011	A *	7/1991	Kronberg	366/279
5,417,493	A *	5/1995	Ericson	366/343
D366,596	S *	1/1996	Hewin	D7/412
D403,920	S *	1/1999	Pytlewski	D7/412
5,865,539	A *	2/1999	Rogers	366/325.8
6,068,395	A *	5/2000	Ondracek	366/129
D440,476	S *	4/2001	Del Gaone	D8/70
6,331,071	B2 *	12/2001	Akamine et al.	366/325.92
D506,354	S *	6/2005	Nguyen	D7/412

(73) Assignee: **Sunbeam Products, Inc.**, Boca Raton,
FL (US)

(**) Term: **14 Years**

* cited by examiner

(21) Appl. No.: **29/453,227**

Primary Examiner — Ricky Pham

(22) Filed: **Apr. 26, 2013**

(74) *Attorney, Agent, or Firm* — Michael J. Corrigan

(51) **LOC (9) Cl.** **31-00**

(52) **U.S. Cl.**
USPC **D7/412; D7/376; D7/378; D7/383**

(57) **CLAIM**

The ornamental design for the mixing paddle, as shown and described.

(58) **Field of Classification Search**
USPC D7/301-313, 316-326, 356-357, 368,
D7/372-386, 391-398, 412-415, 503, 515,
D7/665-666, 679, 691-693; D8/70;
99/280, 326, 348, 492, 508-512;
241/30-37.5, 98, 101.01-101.2,
241/166-169.1, 172, 199.12, 272,
241/282.1-282.2, 285.1-285.3, 291, 292.1;
366/64-67, 98, 129, 142-144,
366/192-211, 241-254, 262, 279, 282.1,
366/282.2, 292, 325.8, 325.92, 341-347;
416/75-77, 70 R, 163, 175, 227 R

DESCRIPTION

FIG. 1 is a perspective view of the mixing paddle;
FIG. 2 is a front view thereof;
FIG. 3 is a rear view thereof;
FIG. 4 is a side view thereof;
FIG. 5 is an opposite side thereof;
FIG. 6 is a top view thereof; and,
FIG. 7 is a bottom view thereof.
The portion shown in dashed lines is shown for illustrative purposes only and forms no part of the claimed design.

See application file for complete search history.

1 Claim, 3 Drawing Sheets

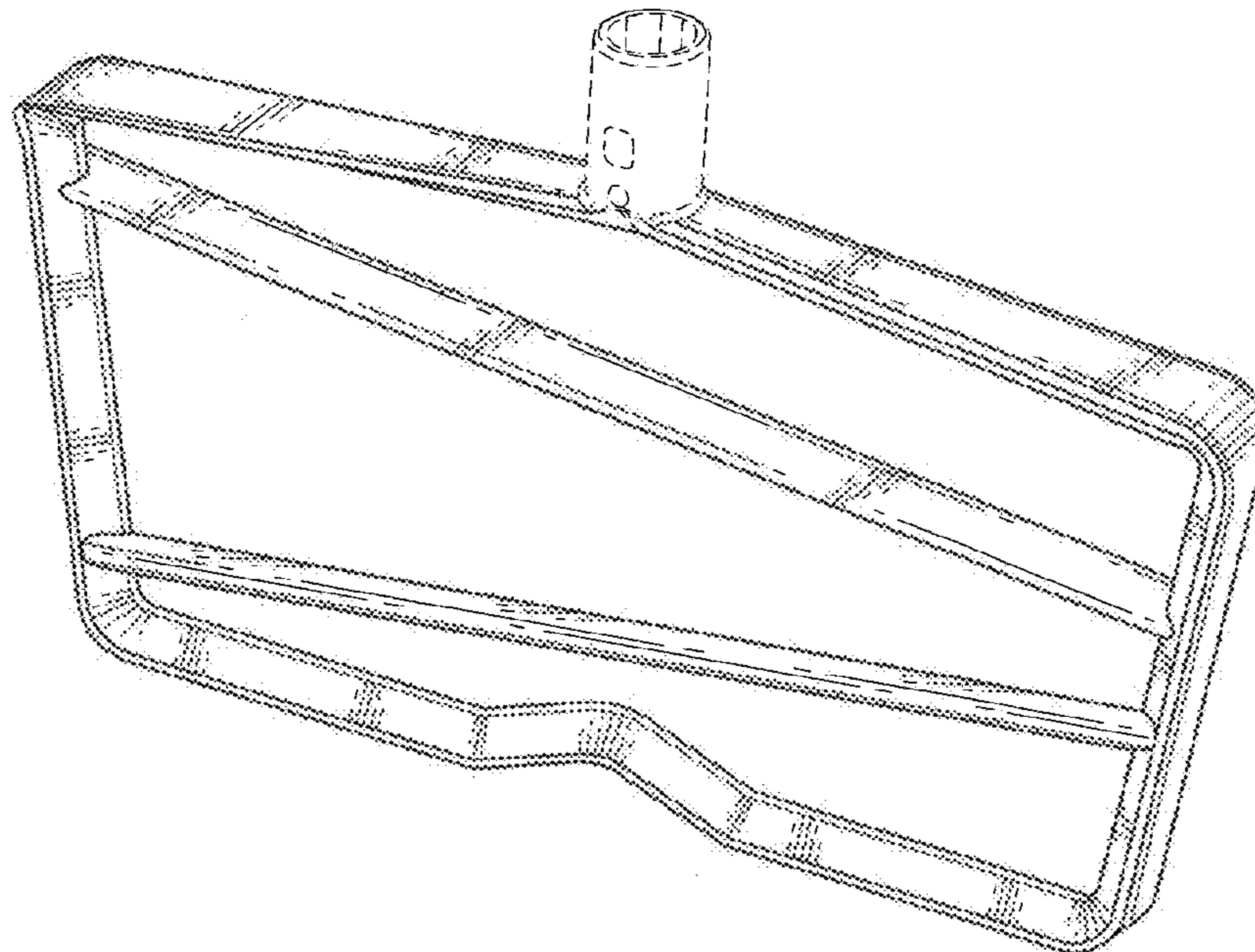


FIG. 1

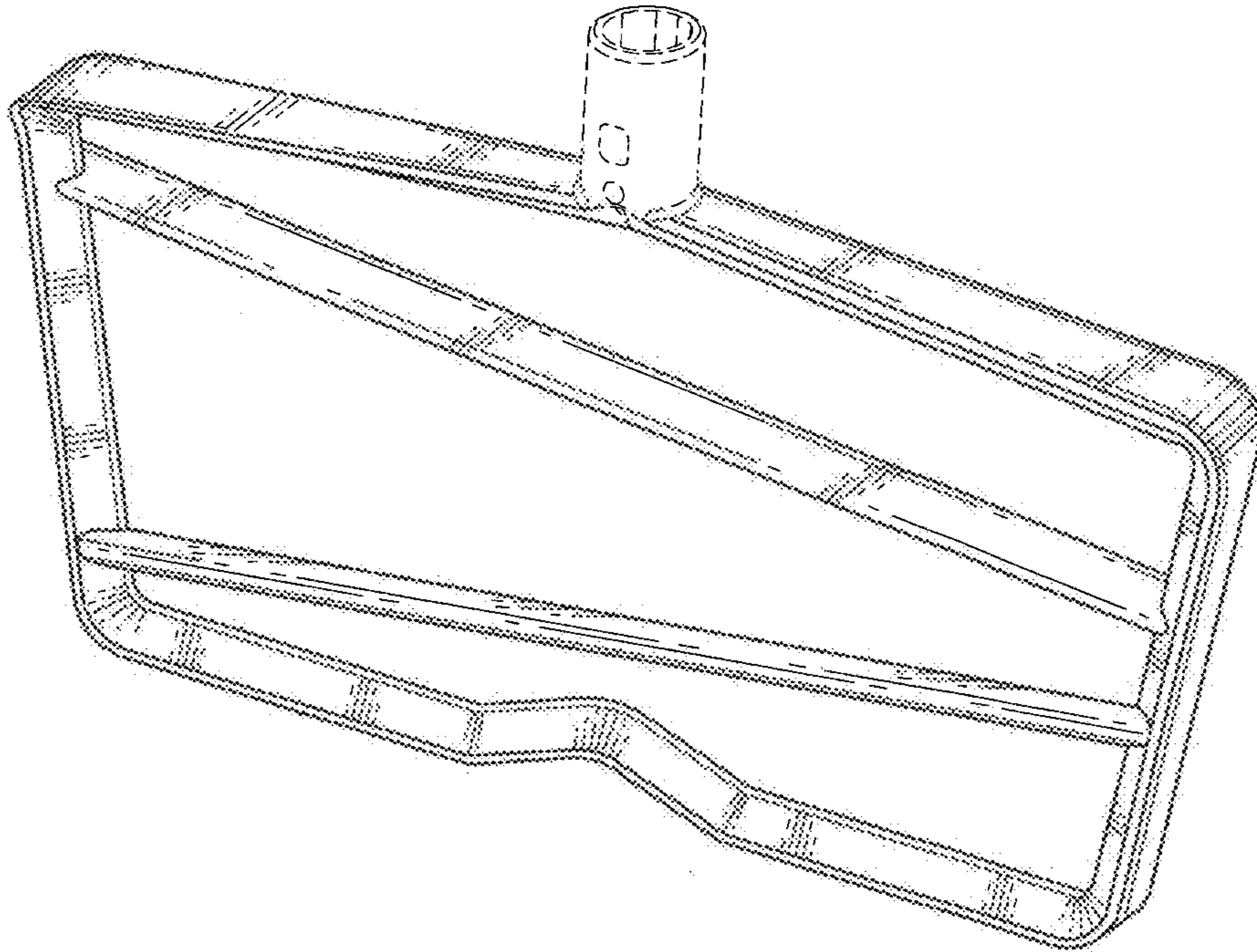


FIG. 2

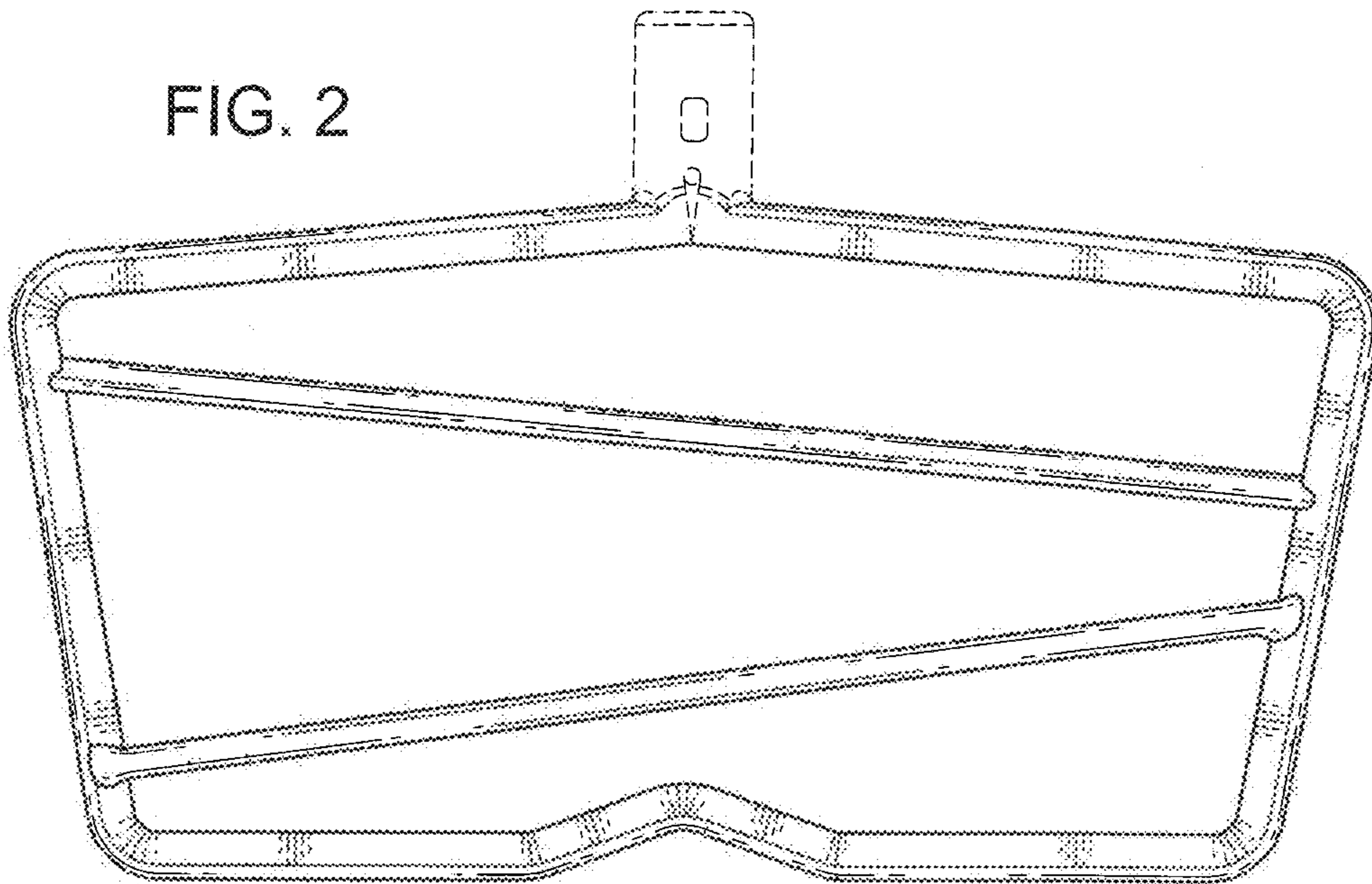


FIG. 3

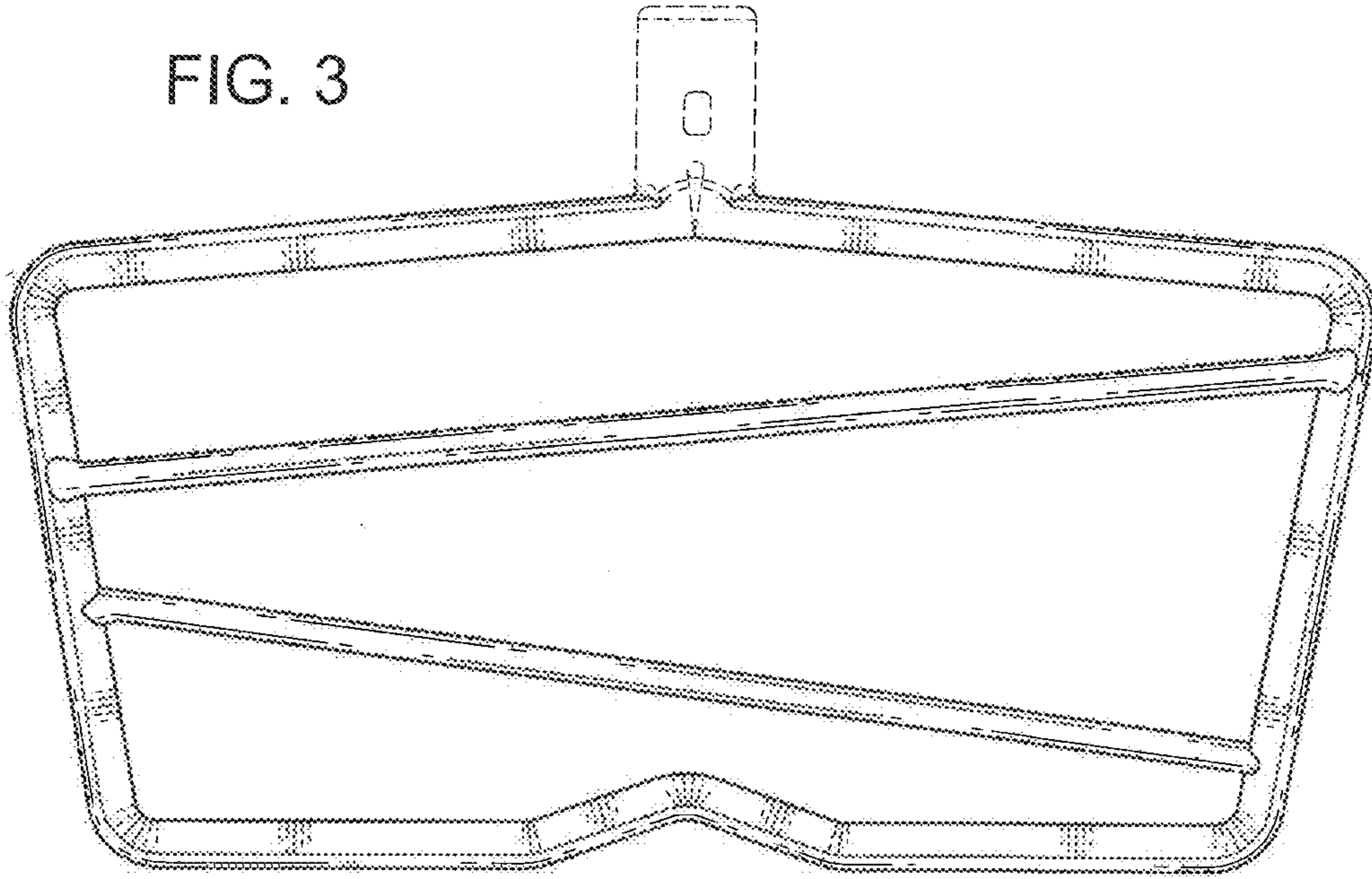


FIG. 4

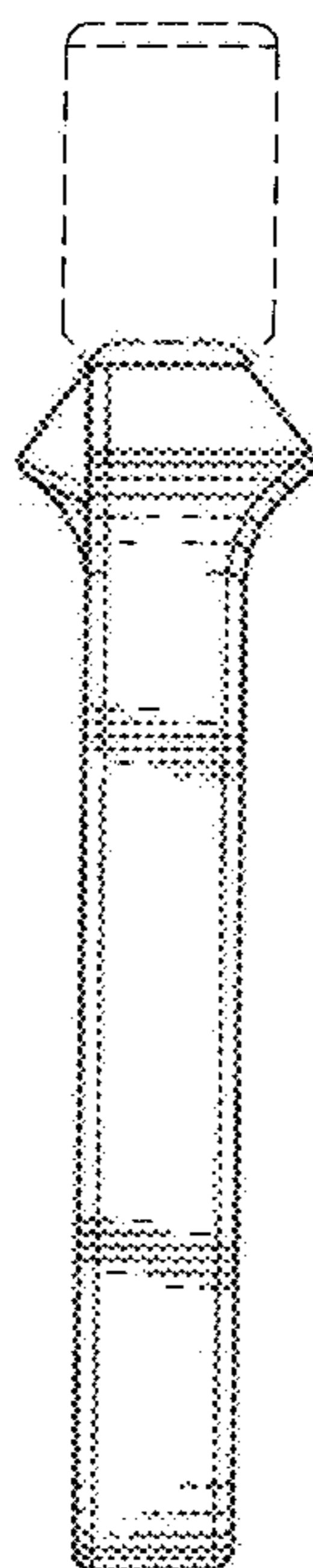


FIG. 5

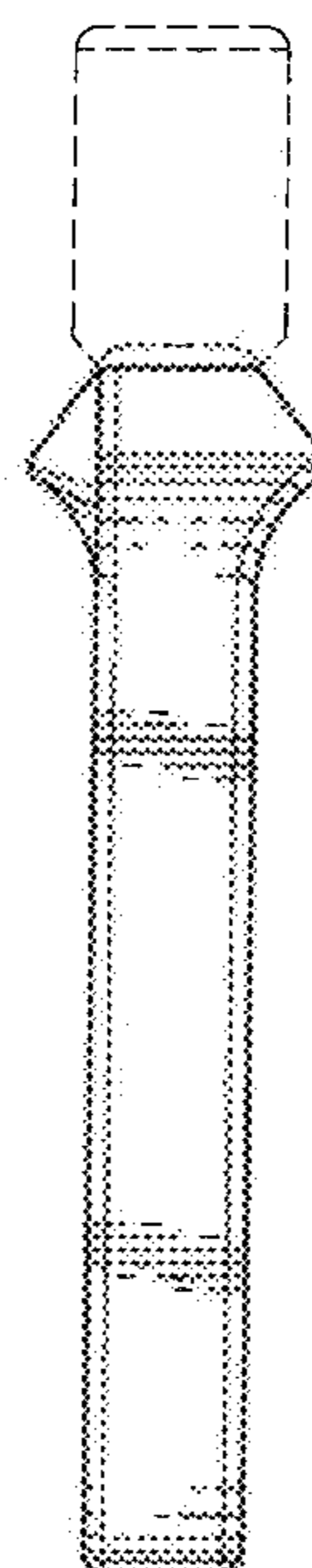


FIG. 6

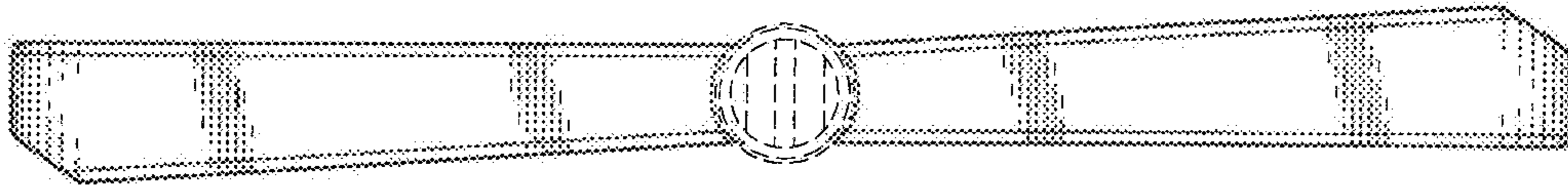


FIG. 7

