

US00D696070S

(12) **United States Design Patent**
Audette

(10) **Patent No.:** **US D696,070 S**

(45) **Date of Patent:** **** Dec. 24, 2013**

(54) **DOUGH HOOK**

(71) Applicant: **Euro-Pro Operating LLC**, Newton, MA (US)

(72) Inventor: **David M. Audette**, Webster, MA (US)

(73) Assignee: **Euro-Pro Operating LLC**, Newton, MA (US)

(**) Term: **14 Years**

(21) Appl. No.: **29/447,102**

(22) Filed: **Feb. 28, 2013**

(51) **LOC (9) Cl.** **31-00**

(52) **U.S. Cl.**

USPC **D7/412**; D7/376; D7/378; D7/383

(58) **Field of Classification Search**

USPC D7/301-313, 316-326, 356-357, 368, D7/372-386, 391-398, 412-415, 503, 515, D7/665-666, 679, 691-693; 99/280, 326, 99/348, 492, 508-512; 241/30-37.5, 98, 241/101.01-101.2, 166-169.1, 172, 199.12, 241/272, 285.1-285.3, 291, 292.1; 366/64-67, 98, 129, 142-144, 366/192-211, 241-254, 262, 279, 282.1, 366/282.2, 292, 325.8, 325.92, 341-347; 416/75-77, 70 R, 163

See application file for complete search history.

(56) **References Cited**

U.S. PATENT DOCUMENTS

3,139,917	A *	7/1964	Elmore	241/199.12
3,461,933	A *	8/1969	Mantelet	241/199.12
4,173,310	A *	11/1979	Schaeffer	241/282.1
4,331,300	A *	5/1982	Hicks et al.	241/282.1
4,733,827	A *	3/1988	Williams	241/101.2
4,817,878	A *	4/1989	Shibata	241/282.2
4,930,709	A *	6/1990	Steffens	241/282.2

D366,595	S *	1/1996	Dobson et al.	D7/384
D421,201	S *	2/2000	Crescenzi et al.	D7/412
D421,546	S *	3/2000	Ekstrom	D7/412
6,532,863	B1 *	3/2003	Lee	99/348
D499,303	S *	12/2004	Huang	D7/412
D501,628	S *	2/2005	Feil	D7/412
D572,076	S *	7/2008	Ling	D7/384
D604,101	S *	11/2009	Sands	D7/412
7,641,380	B2 *	1/2010	Behar et al.	366/205
D647,364	S *	10/2011	Audette et al.	D7/412
D647,365	S *	10/2011	Audette et al.	D7/412
8,132,752	B1 *	3/2012	Hotaling et al.	241/282.1

(Continued)

OTHER PUBLICATIONS

U.S. Appl. No. 29/447,259, filed Mar. 1, 2013, Audette.

(Continued)

Primary Examiner — Ricky Pham

(74) *Attorney, Agent, or Firm* — Wolf, Greenfield & Sacks, P.C.

(57) **CLAIM**

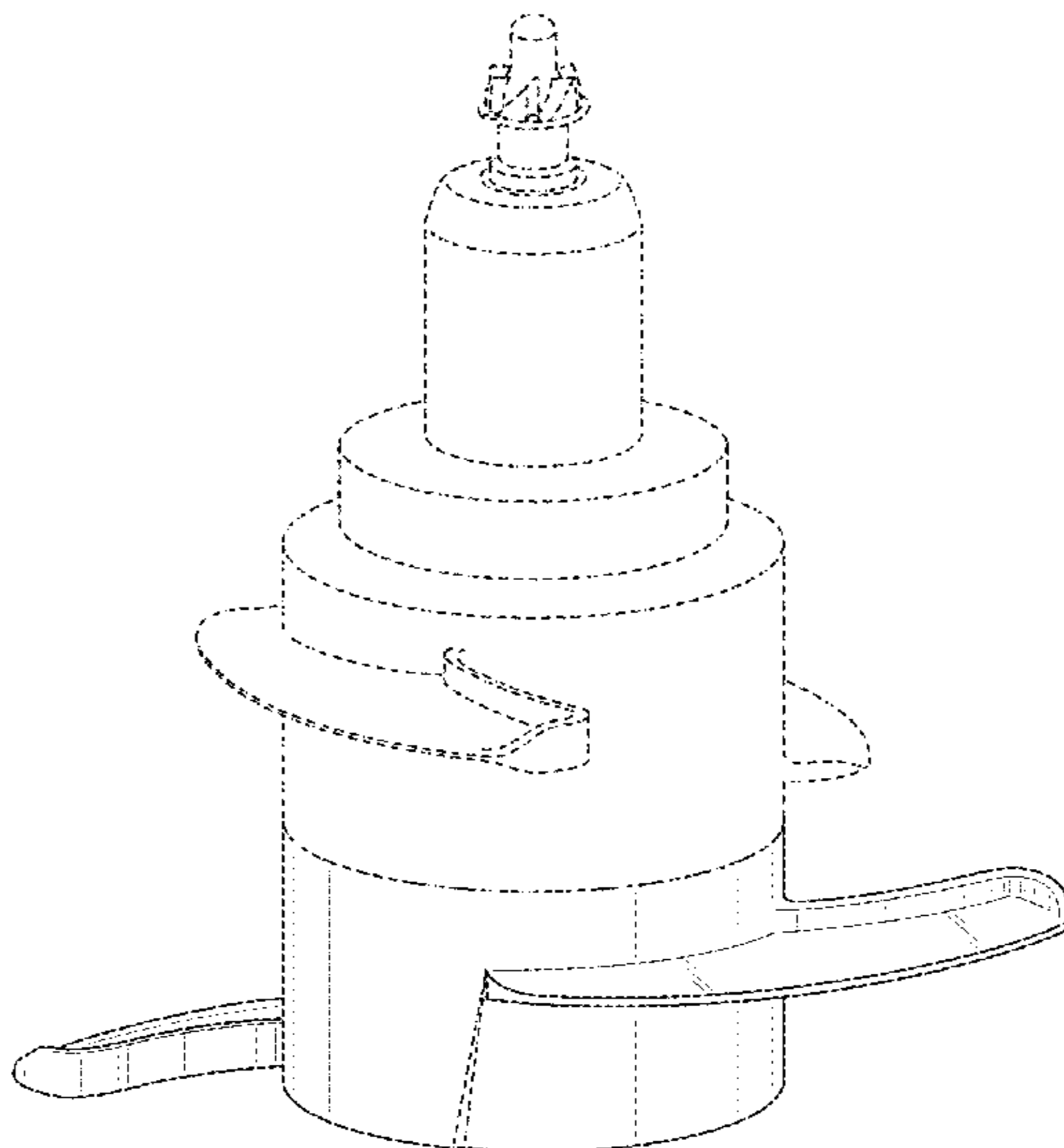
The ornamental design for a dough hook, as shown and described.

DESCRIPTION

FIG. 1 is a top, front, left side perspective view of a dough hook showing my new design; FIG. 2 is a front elevational view thereof; FIG. 3 is a rear elevational view thereof; FIG. 4 is a left side elevational view thereof; FIG. 5 is a right side elevational view thereof; FIG. 6 is a top plan view thereof; and, FIG. 7 is a bottom plan view thereof.

The broken lines of FIGS. 1-7 illustrate portions of the dough hook that form no part of the claimed design. The dash-dot-dash broken lines shown in FIGS. 1-5 define boundaries of the claimed design.

1 Claim, 7 Drawing Sheets



(56)

References Cited

U.S. PATENT DOCUMENTS

8,197,121 B2 * 6/2012 Sands 366/246
D663,586 S * 7/2012 Audette D7/412
D668,115 S * 10/2012 Potter D7/412
D682,030 S * 5/2013 Ezechukwu D7/412
2010/0246320 A1 * 9/2010 Sands 366/246

2012/0080549 A1 * 4/2012 Rukavina 241/282.1
2012/0091245 A1 * 4/2012 Menashes 241/282.1

OTHER PUBLICATIONS

U.S. Appl. No. 29/447,112, filed Feb. 28, 2013, Audette.
U.S. Appl. No. 29/447,113, filed Feb. 28, 2013, Potter et al.

* cited by examiner

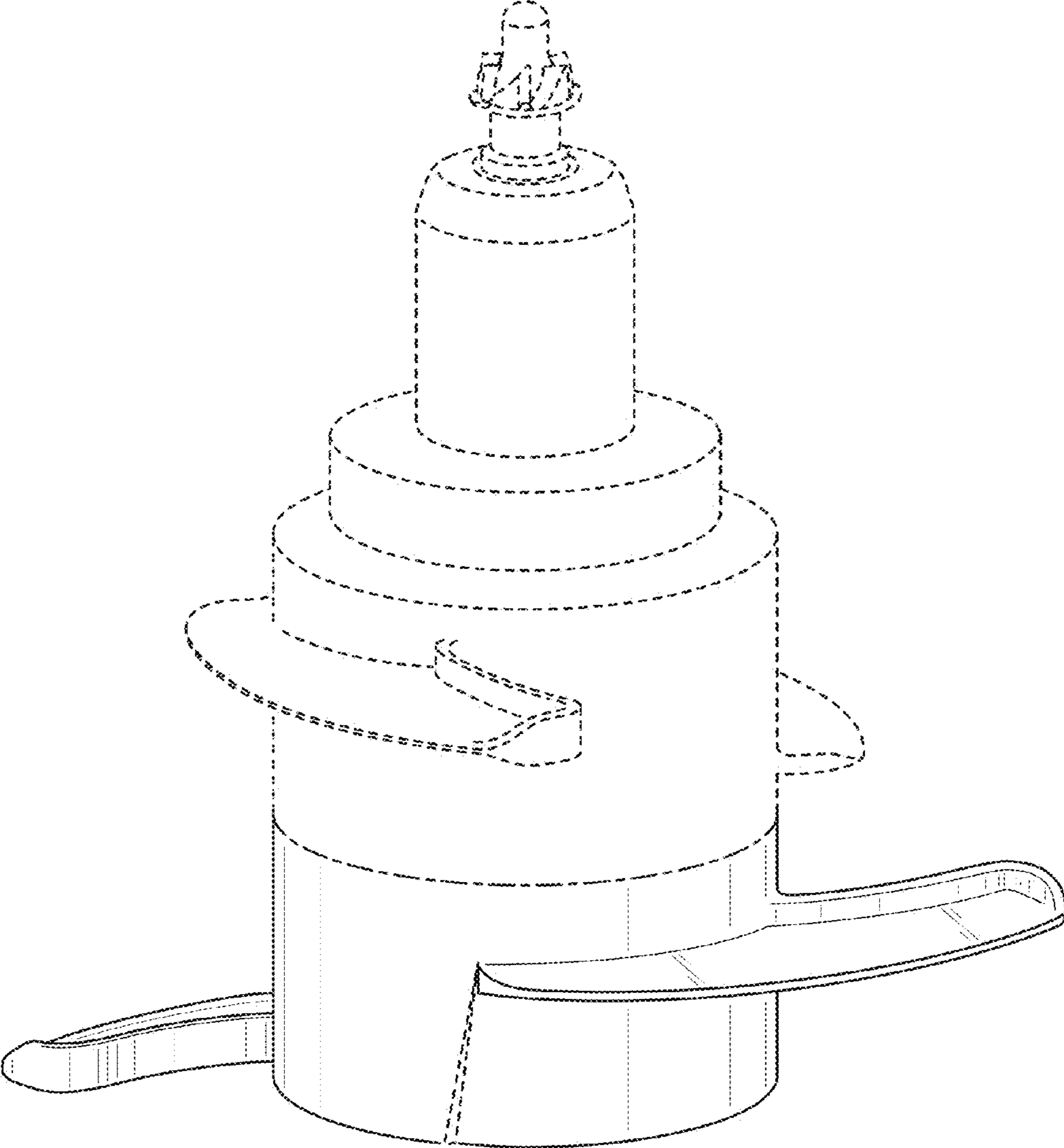


FIG. 1

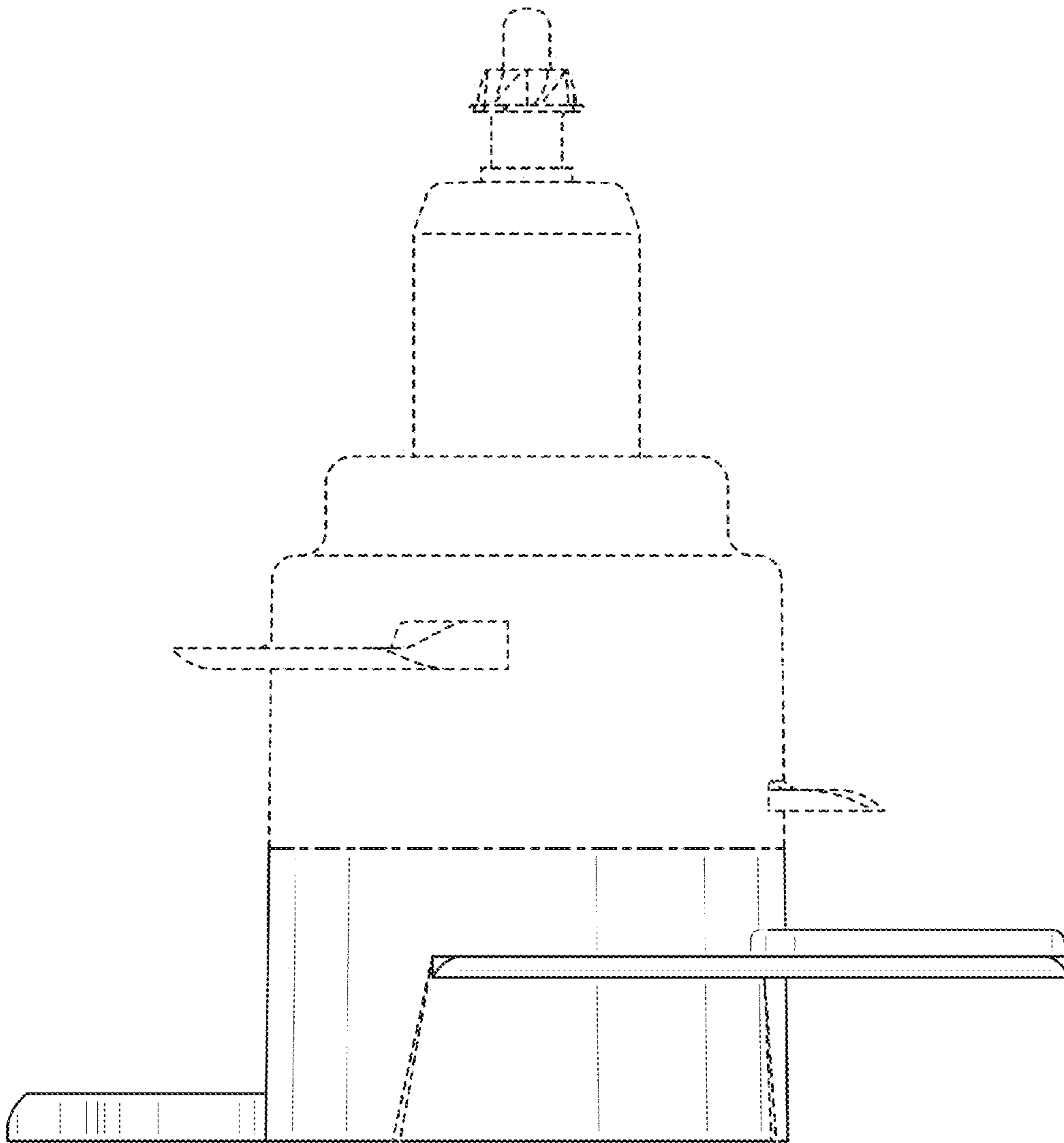


FIG. 2

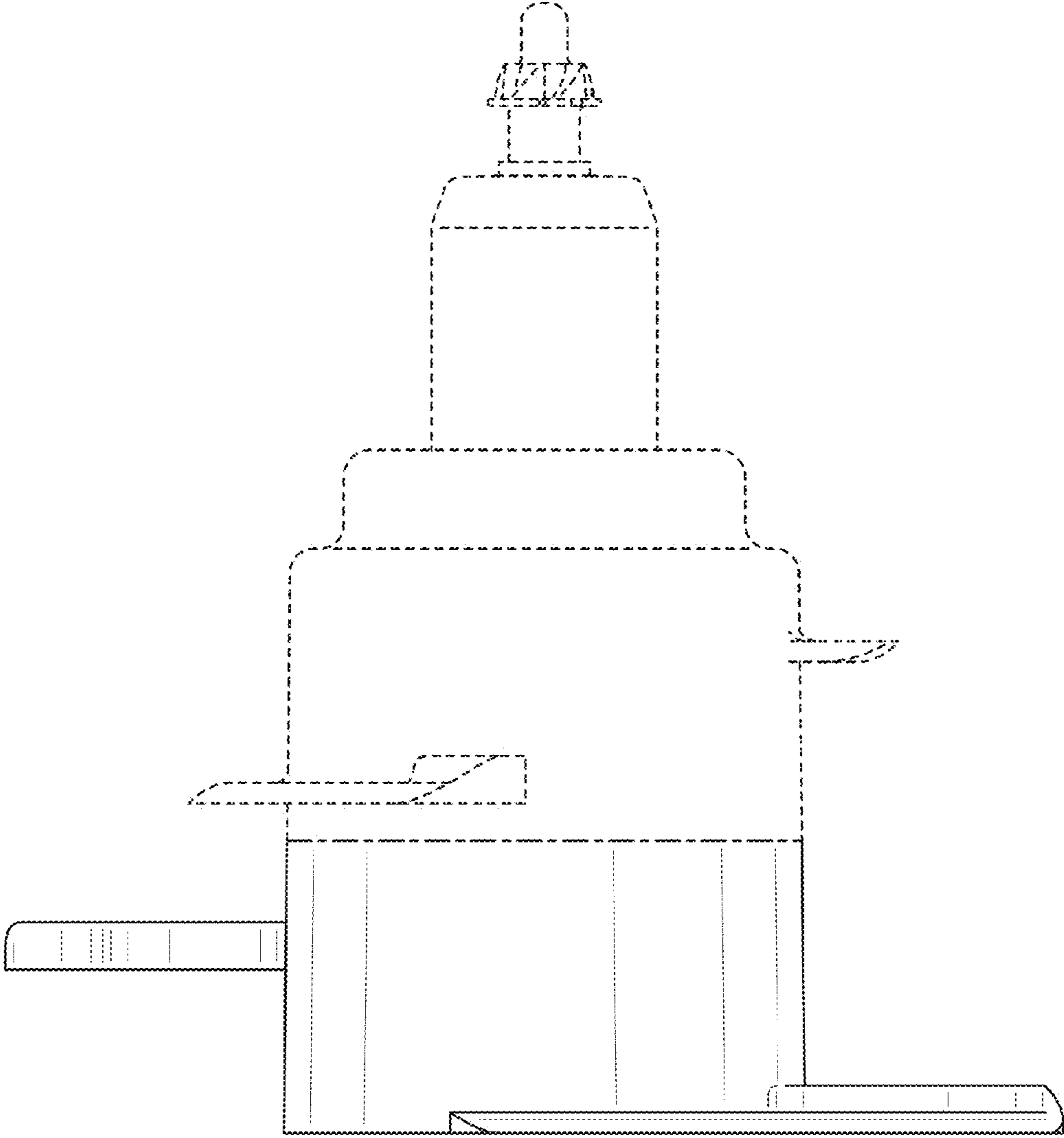


FIG. 3

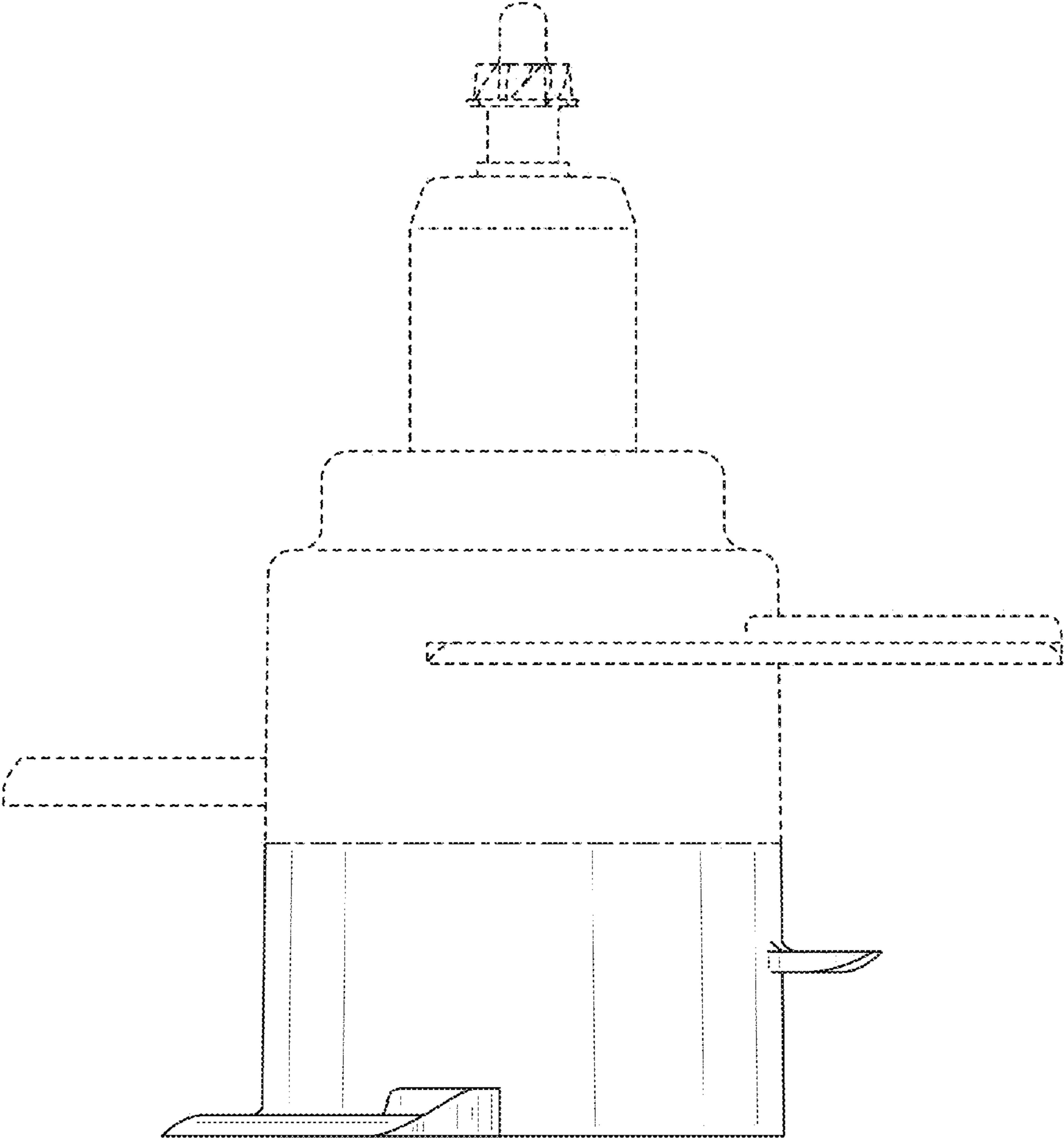


FIG. 4

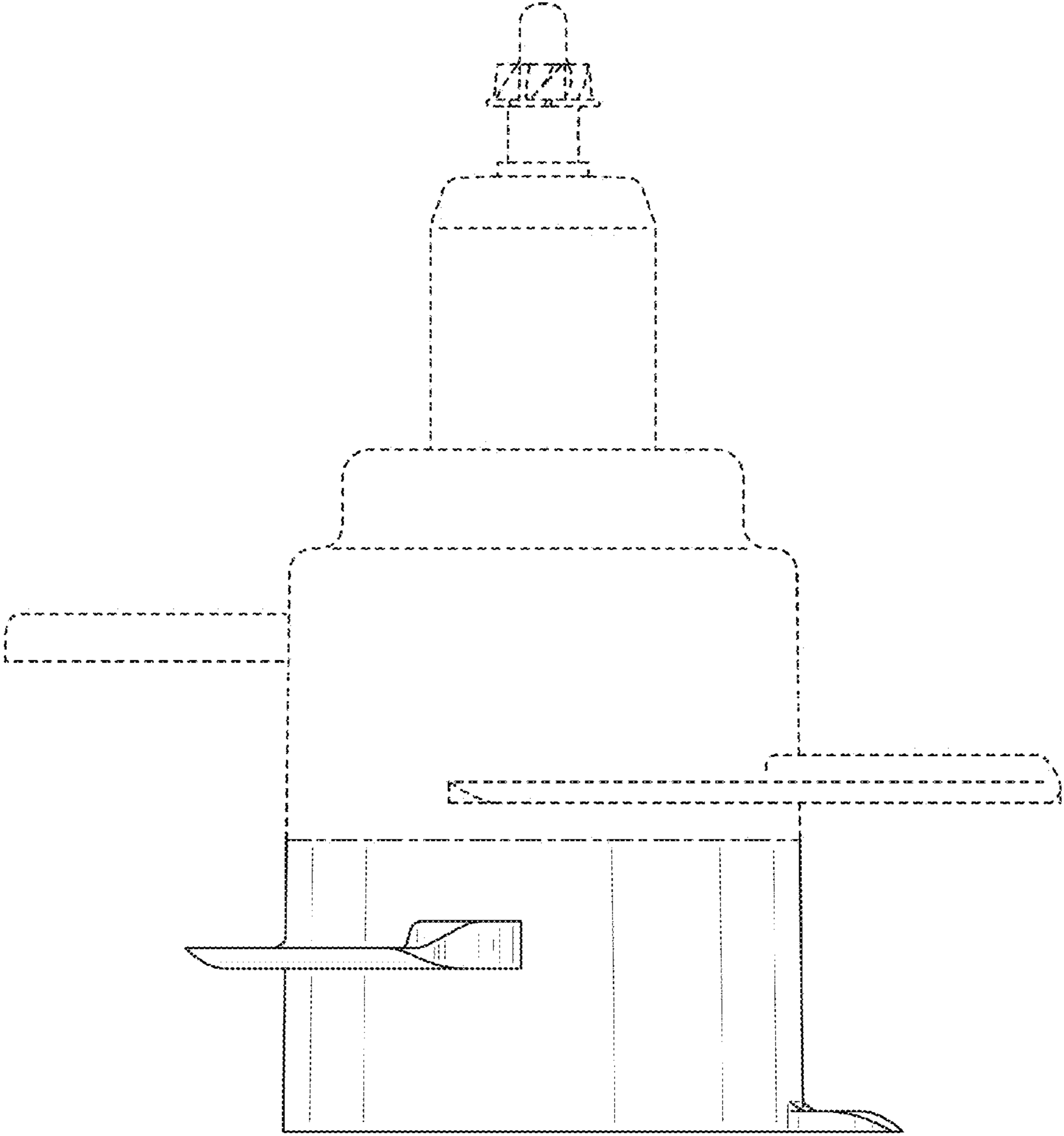


FIG. 5

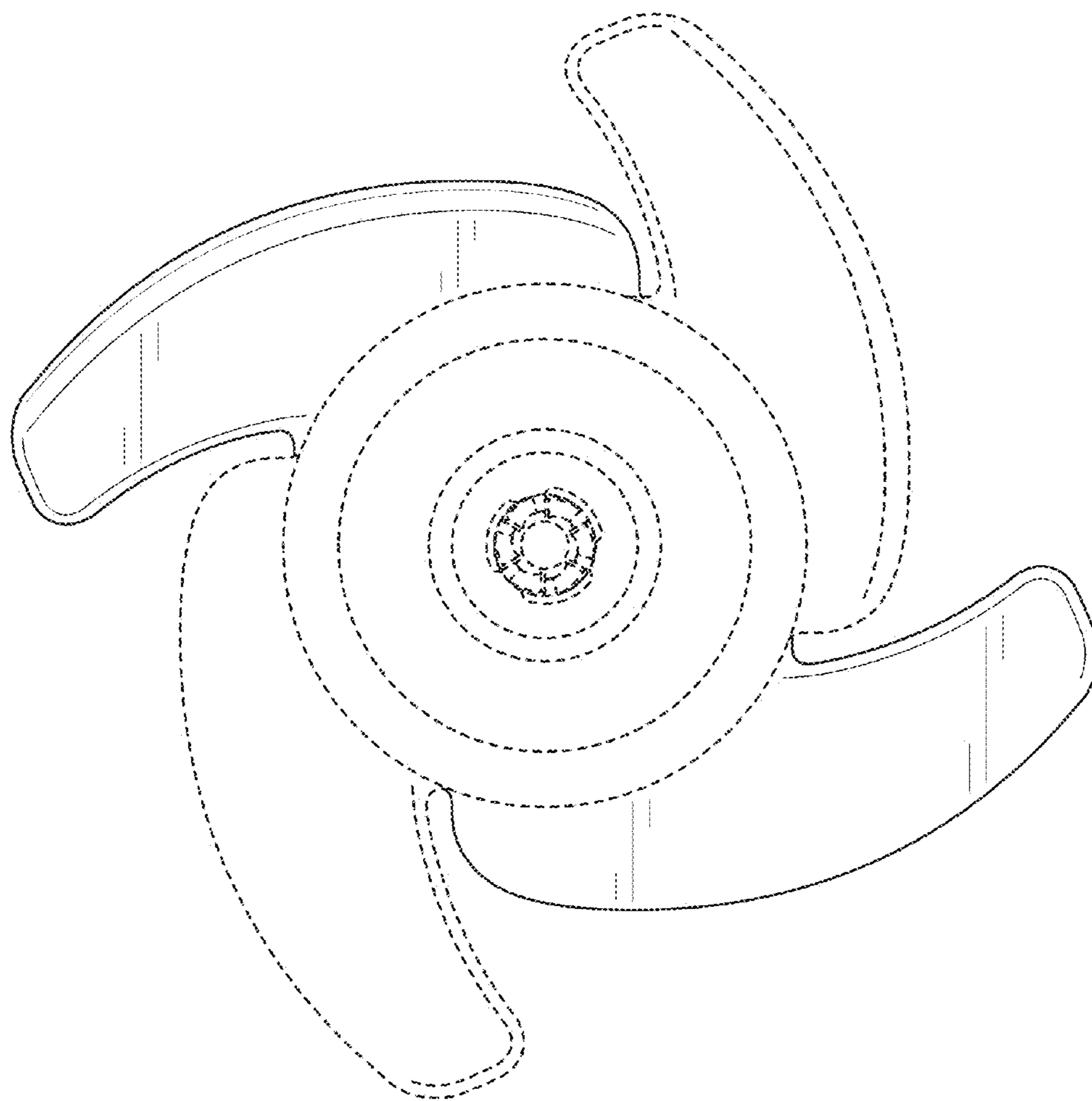


FIG. 6

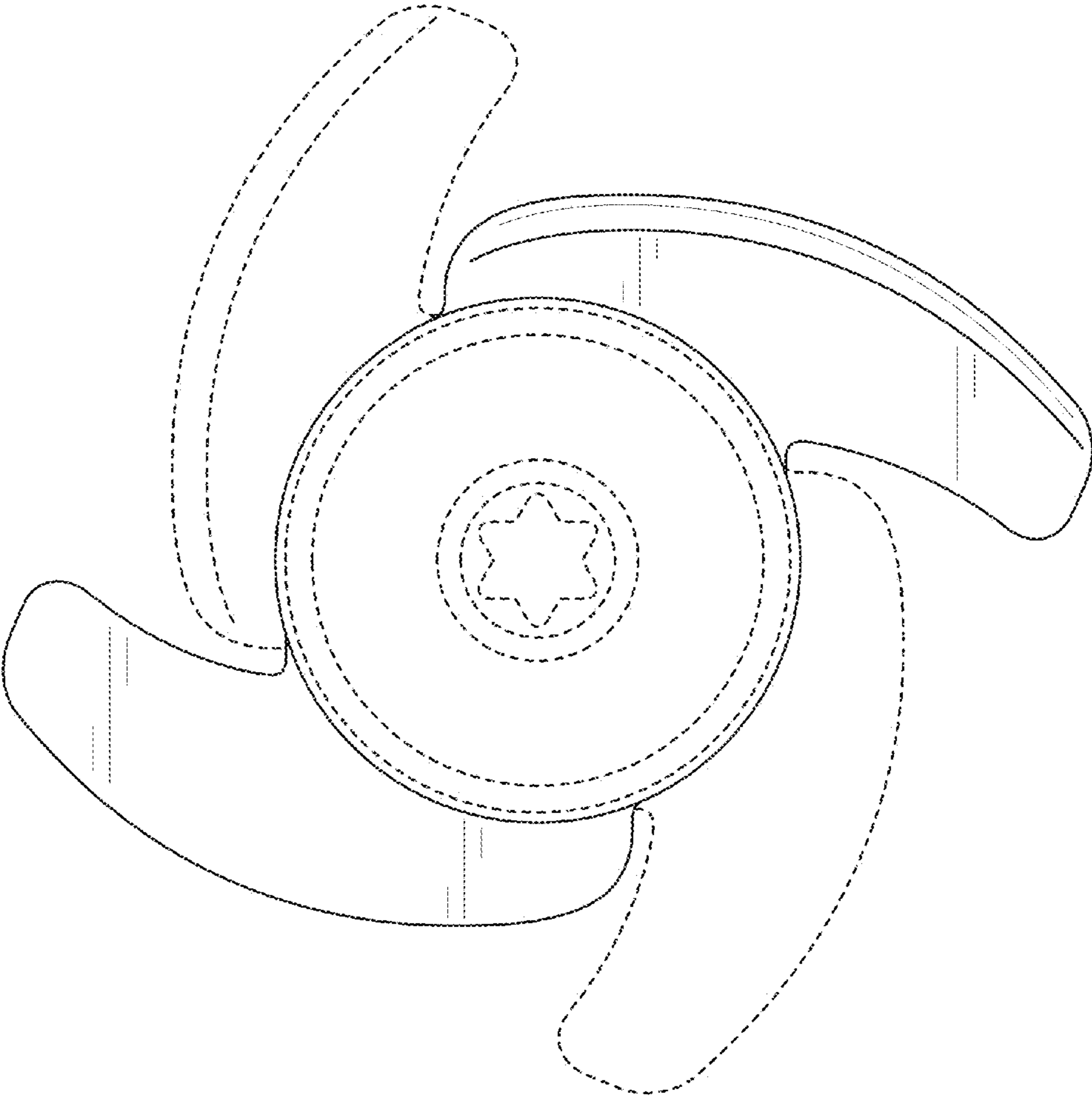


FIG. 7