



US00D696068S

(12) **United States Design Patent**
Baacke et al.

(10) **Patent No.:** **US D696,068 S**

(45) **Date of Patent:** **** Dec. 24, 2013**

(54) **COOKING APPLIANCE KNOB**

74/558.5; 200/316, 336; 116/309, 315,
116/311, 312, 319–320

(75) Inventors: **Sven Baacke**, München (DE);
Hermann-Reinhard Segers, München
(DE)

See application file for complete search history.

(73) Assignee: **BSH Bosch und Siemens Hausgeraete
GmbH**, Munich (DE)

(56) **References Cited**

(**) Term: **14 Years**

(21) Appl. No.: **29/414,813**

(22) Filed: **Mar. 5, 2012**

U.S. PATENT DOCUMENTS

| | | | | |
|--------------|---------|---------------|-------|--------|
| D400,778 S * | 11/1998 | Holbrook, Jr. | | D8/311 |
| D443,496 S * | 6/2001 | DeCosse | | D8/310 |
| D498,657 S * | 11/2004 | Milrud et al. | | D8/311 |
| D521,314 S * | 5/2006 | Ball | | D7/393 |
| D619,874 S * | 7/2010 | Bhattacharya | | D8/311 |
| D644,912 S * | 9/2011 | Benold | | D8/311 |
| D668,928 S * | 10/2012 | Butan et al. | | D8/312 |

* cited by examiner

Related U.S. Application Data

(62) Division of application No. 29/403,348, filed on Oct. 5, 2011, now Pat. No. Des. 661,546, which is a division of application No. 29/396,028, filed on Jun. 24, 2011, now Pat. No. Des. 651,463, which is a division of application No. 29/376,366, filed on Oct. 6, 2010, now Pat. No. Des. 645,702, which is a division of application No. 29/359,525, filed on Apr. 13, 2010, now Pat. No. Des. 630,472, which is a division of application No. 29/345,167, filed on Oct. 12, 2009, now Pat. No. Des. 620,311, which is a division of application No. 29/285,903, filed on Apr. 16, 2007, now Pat. No. Des. 610,404.

Primary Examiner — T. Chase Nelson

Assistant Examiner — Mark Cavanna

(74) *Attorney, Agent, or Firm* — James E. Howard; Andre Pallapies

(30) **Foreign Application Priority Data**

Nov. 30, 2006 (EM) 000640362

(51) **LOC (9) Cl.** **07-02**

(52) **U.S. Cl.**
USPC **D7/402**; D8/311

(58) **Field of Classification Search**
USPC D7/402, 405–406, 393; D8/300–303,
D8/305–312, 321, DIG. 2; D13/174, 169;
16/441, 110 R, 118, 121; 74/548, 553,

(57) **CLAIM**

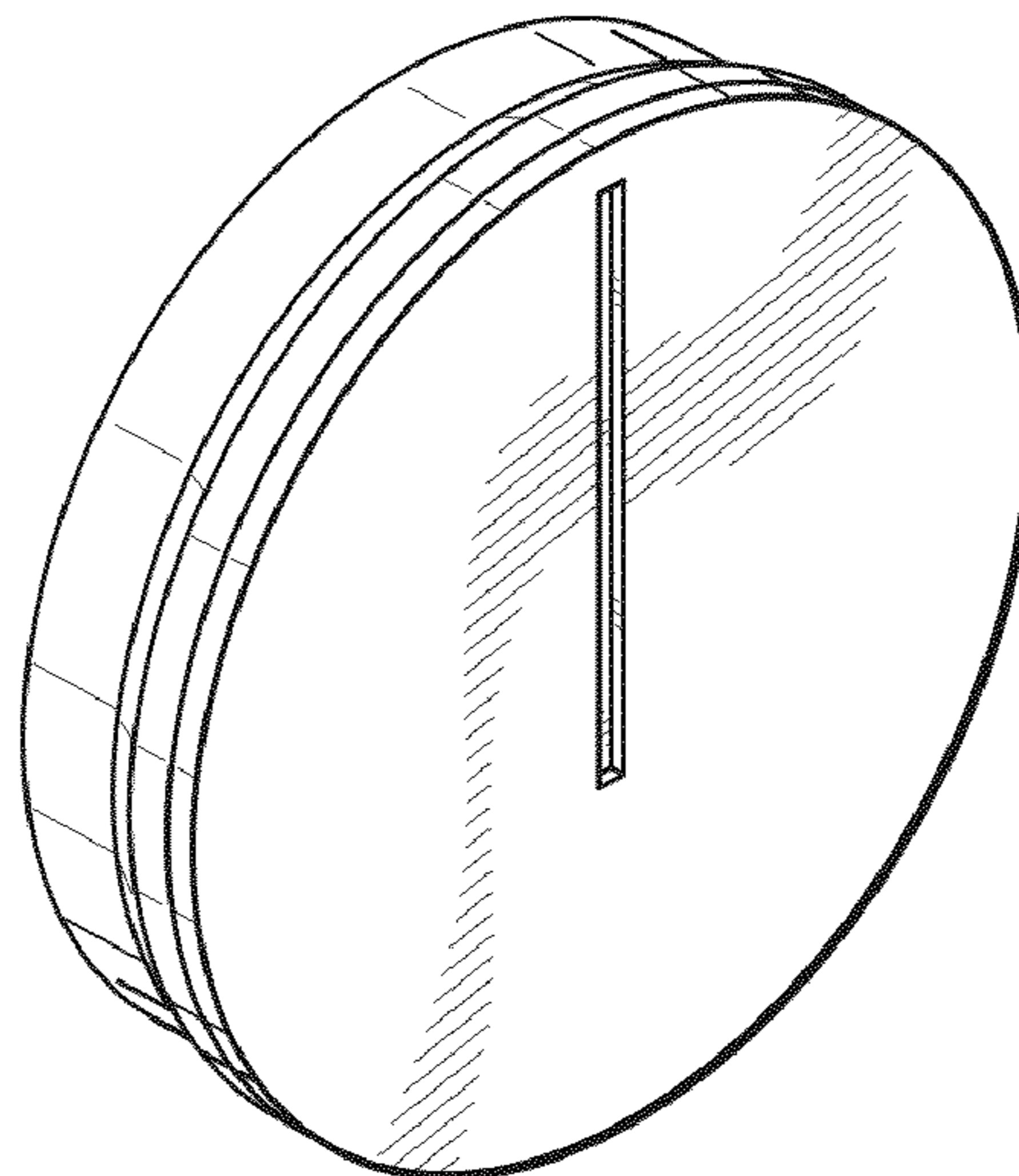
The ornamental design for a cooking appliance knob, as shown and described.

DESCRIPTION

FIG. 1 is a perspective view showing a cooking appliance knob according to our new ornamental design;
FIG. 2 is a front view thereof;
FIG. 3 is a top view thereof;
FIG. 4 is a rear view thereof;
FIG. 5 is a left side view thereof;
FIG. 6 is a right side view thereof; and,
FIG. 7 is a bottom view thereof.

The broken lines seen in FIGS. 3-7 are included for the purpose of illustrating the boundaries of the claimed design. The broken lines and adjacent surfaces form no part of the claimed design.

1 Claim, 1 Drawing Sheet



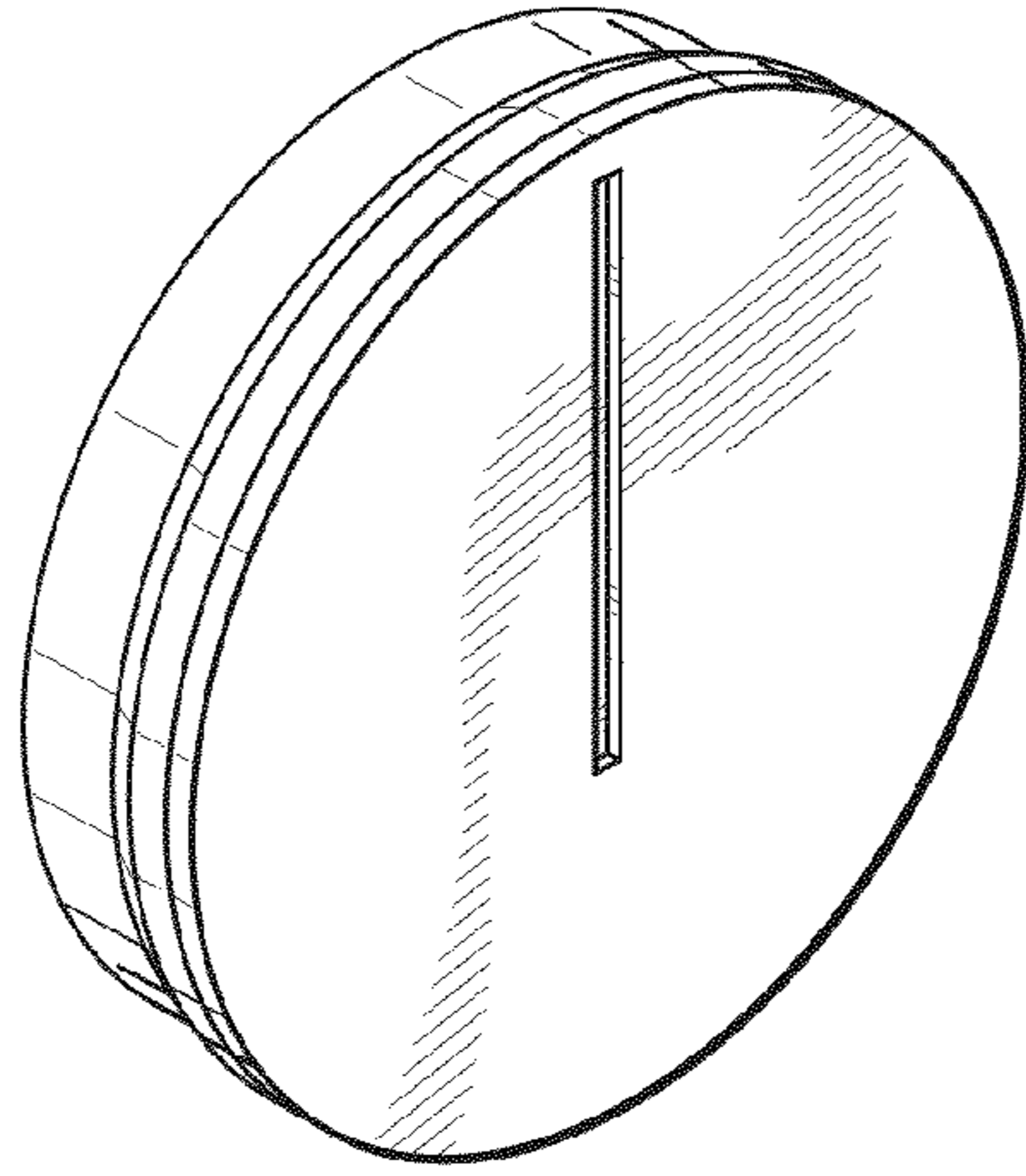


FIG. 1

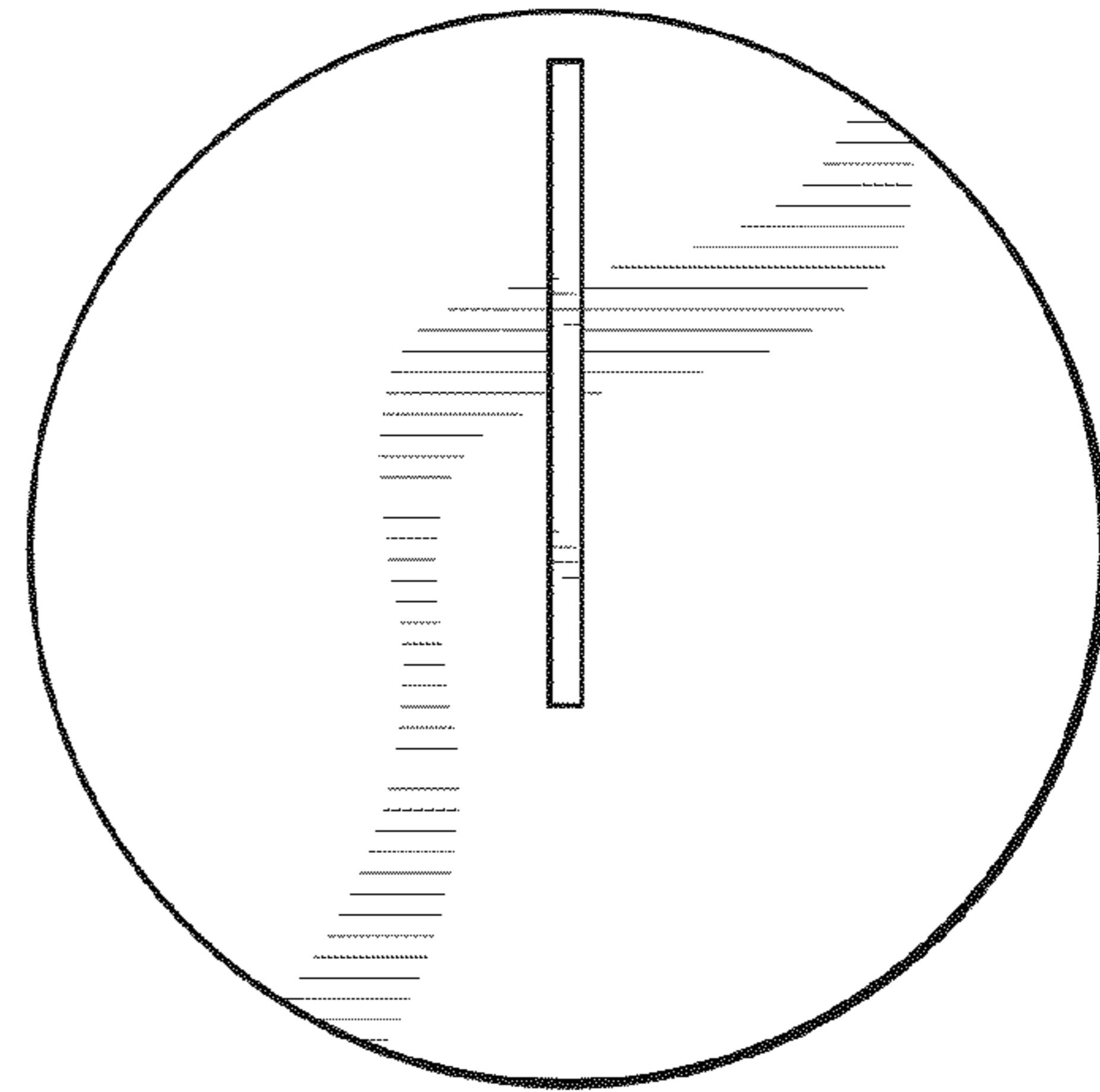


FIG. 2

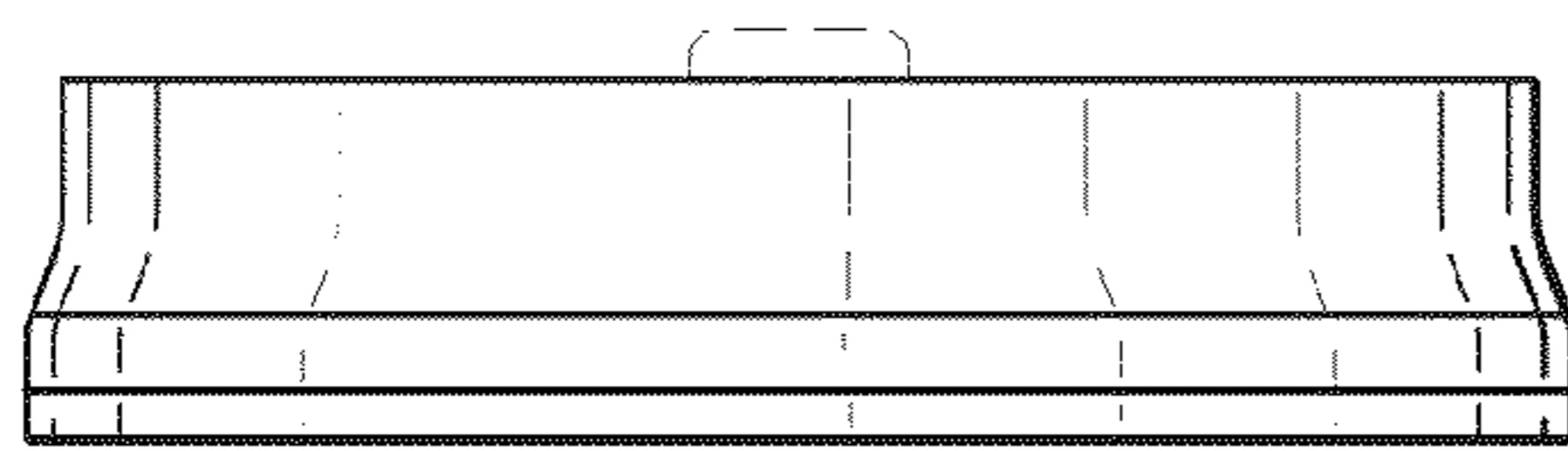


FIG. 3

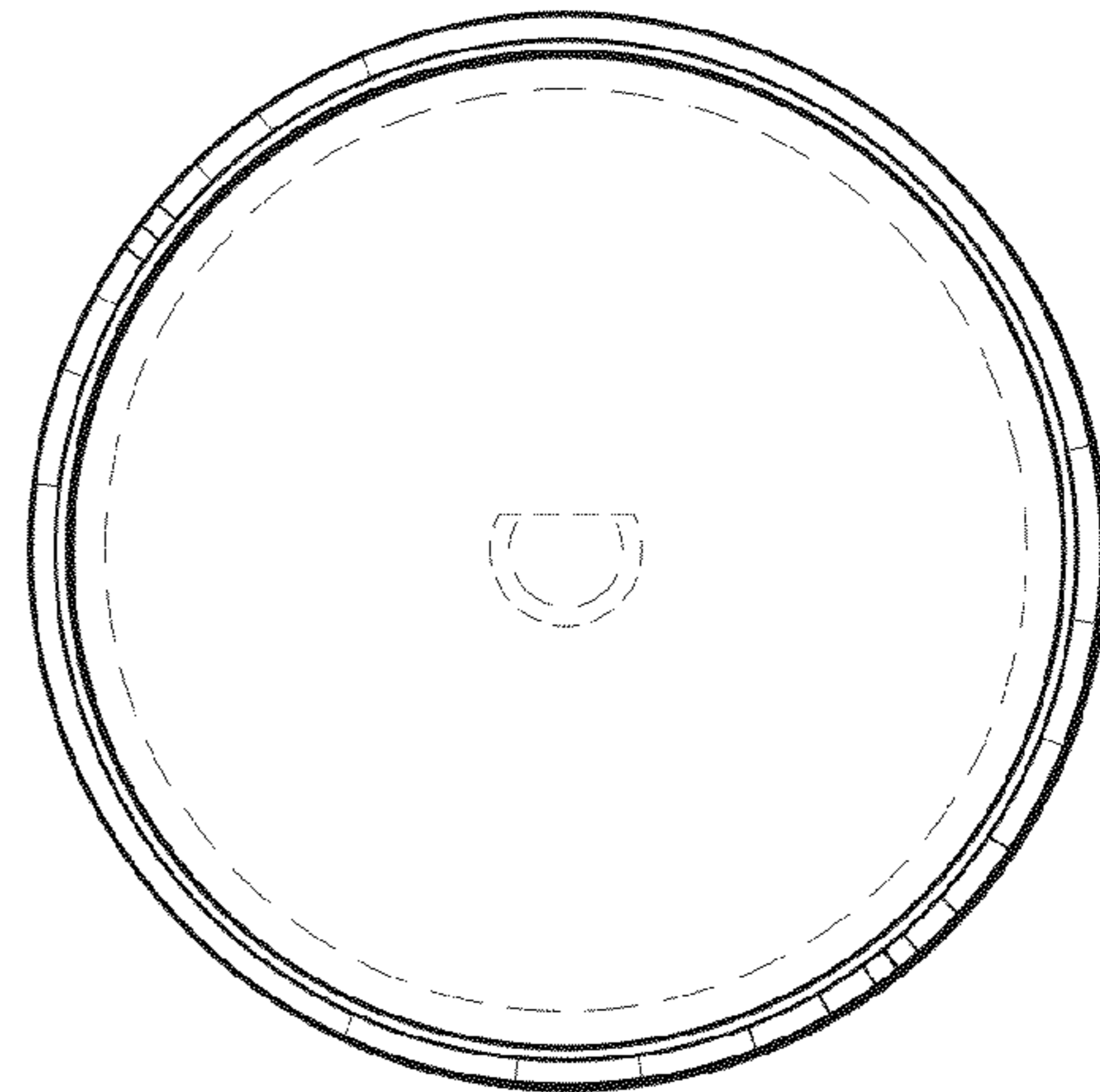


FIG. 4

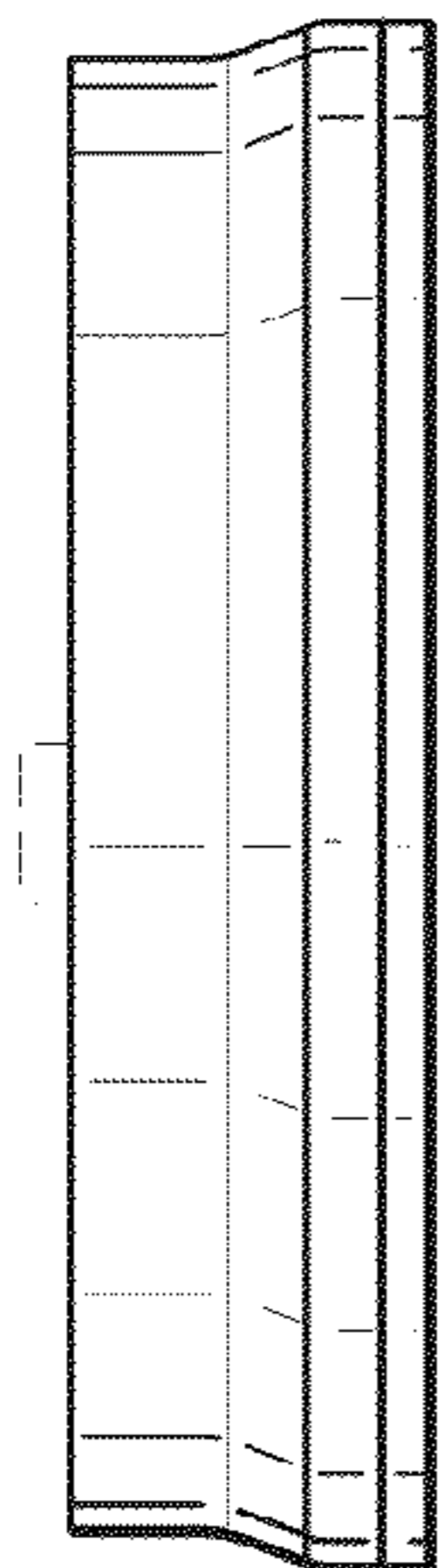


FIG. 5

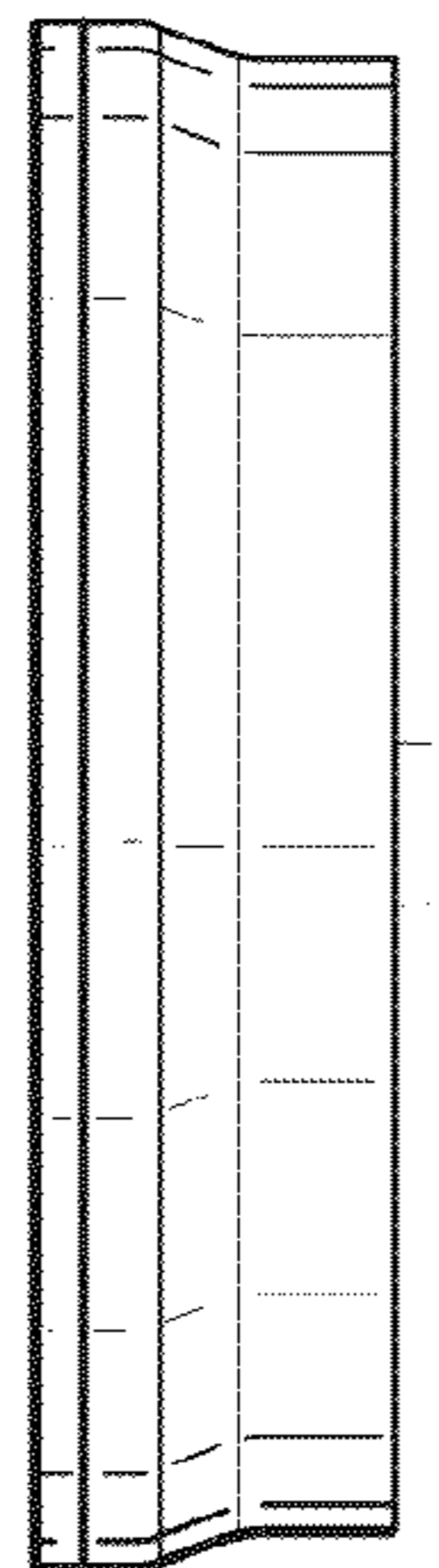


FIG. 6

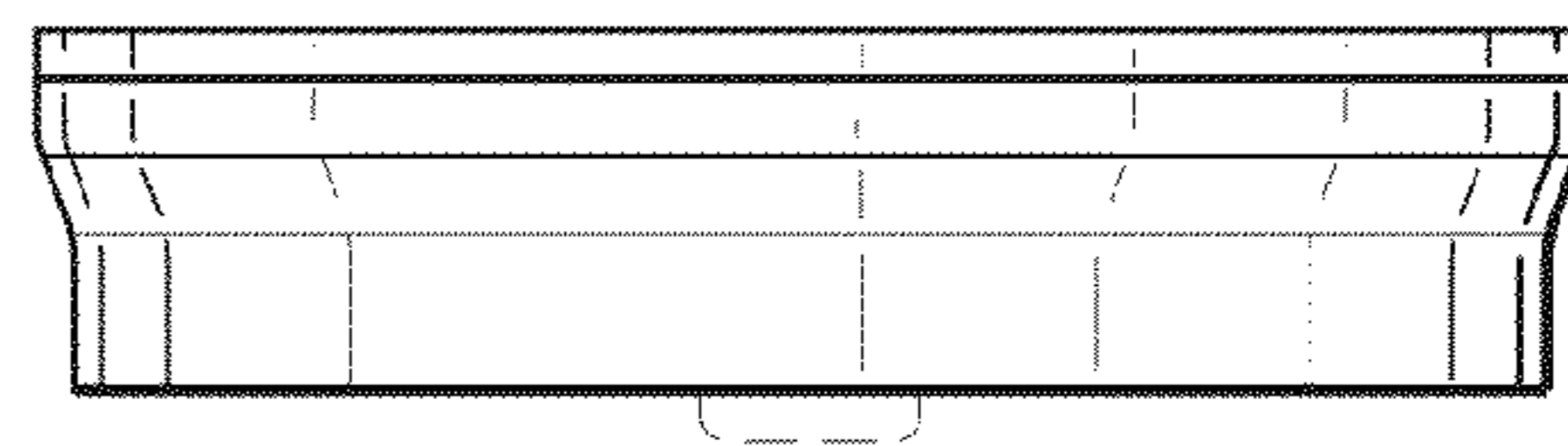


FIG. 7