

US00D696066S

(12) **United States Design Patent**
Parikh

(10) **Patent No.:** **US D696,066 S**

(45) **Date of Patent:** **** Dec. 24, 2013**

(54) **BOWL WITH WAVE CONTOUR**

(71) Applicant: **Par-Pak Ltd.**, Brampton (CA)

(72) Inventor: **Samir R. Parikh**, Brampton (CA)

(73) Assignee: **Par-Pak Ltd.**, Brampton (CA)

(**) Term: **14 Years**

(21) Appl. No.: **29/453,092**

(22) Filed: **Apr. 25, 2013**

(51) **LOC (9) Cl.** **07-01**

(52) **U.S. Cl.**

USPC **D7/396.1**

(58) **Field of Classification Search**

USPC D7/562, 586, 545, 561, 560, 500, 543,
D7/360, 361, 552.1, 354, 555, 566, 504,
D7/587, 565, 601, 602, 558, 585, 396.1;
D1/122; D30/130; 220/751, 23.4, 574;
D9/643, 424, 759, 432; 215/382, 400

See application file for complete search history.

(56) **References Cited**

U.S. PATENT DOCUMENTS

D77,281 S *	12/1928	Bartlett	D7/529
D104,342 S *	5/1937	Duncan, 3D et al.	D7/529
D104,343 S *	5/1937	Duncan, 3D et al.	D7/565
D348,589 S *	7/1994	Cautereels et al.	D7/558
D353,518 S *	12/1994	Cautereels et al.	D7/560
D397,906 S *	9/1998	Briggs et al.	D7/392.1
D444,351 S *	7/2001	Lillelund et al.	D7/629
D482,936 S *	12/2003	Miller et al.	D7/629
D507,933 S *	8/2005	Carmichael	D7/505
D533,080 S *	12/2006	Darin	D9/761
D539,643 S *	4/2007	Abel	D9/424
D613,125 S *	4/2010	Sierra et al.	D7/584
D684,855 S *	6/2013	BeVier et al.	D9/429

* cited by examiner

Primary Examiner — Cynthia Underwood

(74) *Attorney, Agent, or Firm* — Bereskin & Parr LLP/S.E.N.C.R.L., s.r.l.

(57) **CLAIM**

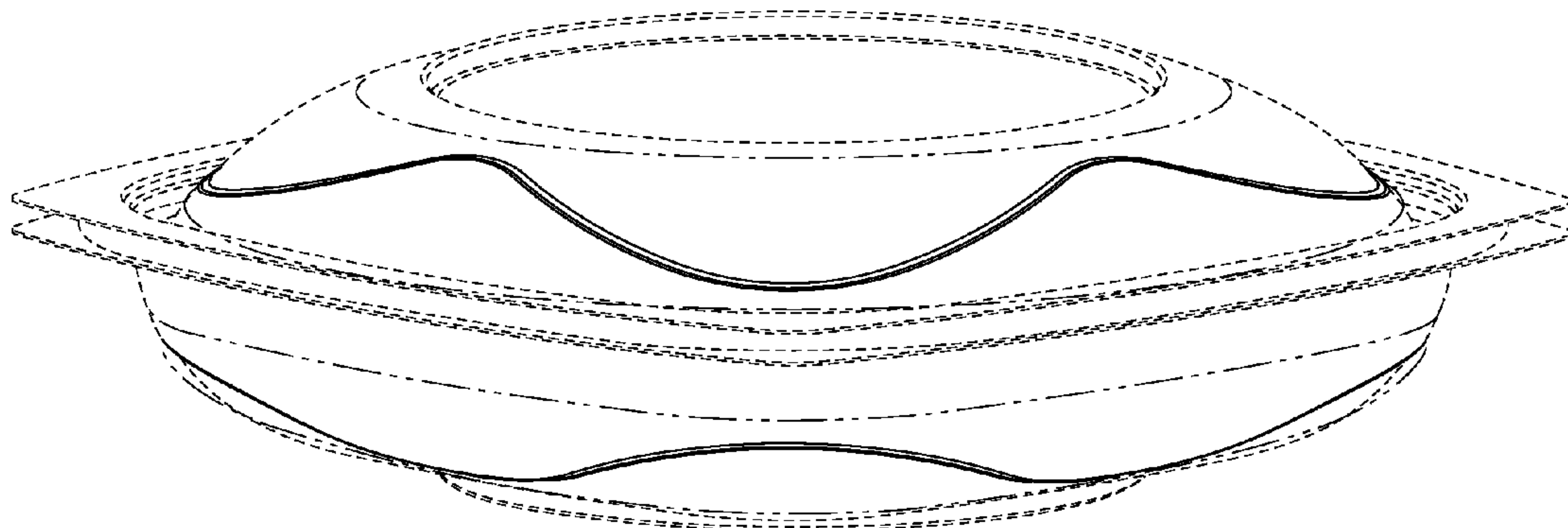
The ornamental design for a bowl with wave contour, as shown and described.

DESCRIPTION

FIG. 1 is an upper perspective view of a first embodiment of a bowl with wave contour;
 FIG. 2 is a lower perspective view of thereof;
 FIG. 3 is a side view of thereof;
 FIG. 4 is a top view of thereof;
 FIG. 5 is a bottom view of thereof;
 FIG. 6 is an upper perspective view of a second embodiment of FIG. 1;
 FIG. 7 is a lower perspective view thereof;
 FIG. 8 is a side view of thereof;
 FIG. 9 is a top view thereof;
 FIG. 10 is a bottom view thereof;
 FIG. 11 is an upper perspective view of a third embodiment of FIG. 1;
 FIG. 12 is a lower perspective view thereof;
 FIG. 13 is a side view thereof;
 FIG. 14 is a top view thereof;
 FIG. 15 is a bottom view thereof;
 FIG. 16 is an upper perspective view of a fourth embodiment of FIG. 1;
 FIG. 17 is a lower perspective view thereof;
 FIG. 18 is a side view of the fourth thereof;
 FIG. 19 is a top view of the fourth thereof;
 FIG. 20 is a bottom view of the fourth thereof;
 FIG. 21 is an upper perspective view of a fifth embodiment of FIG. 1;
 FIG. 22 is a lower perspective view thereof;
 FIG. 23 is a side view thereof;
 FIG. 24 is a top view thereof; and,
 FIG. 25 is a bottom view thereof.

The broken lines represent features that form no part of the claim. The dot-dot-dash-dot-dot-dash boundary line represents the boundaries of the claim.

1 Claim, 23 Drawing Sheets



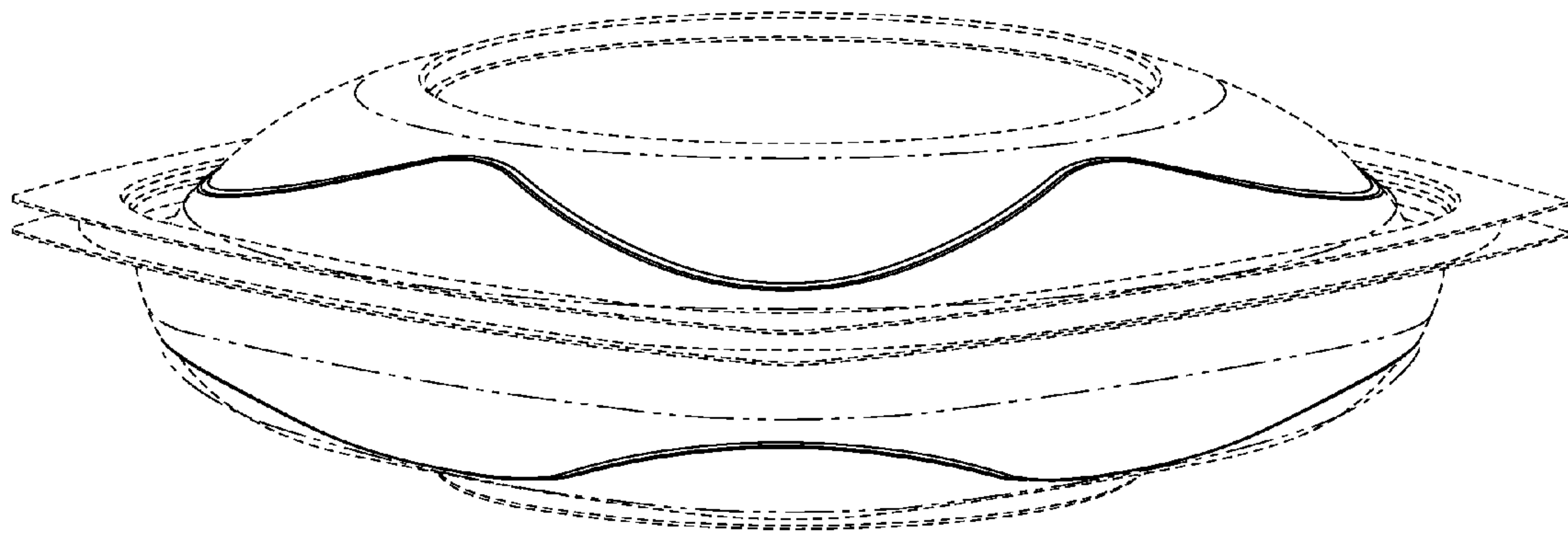


FIG. 1

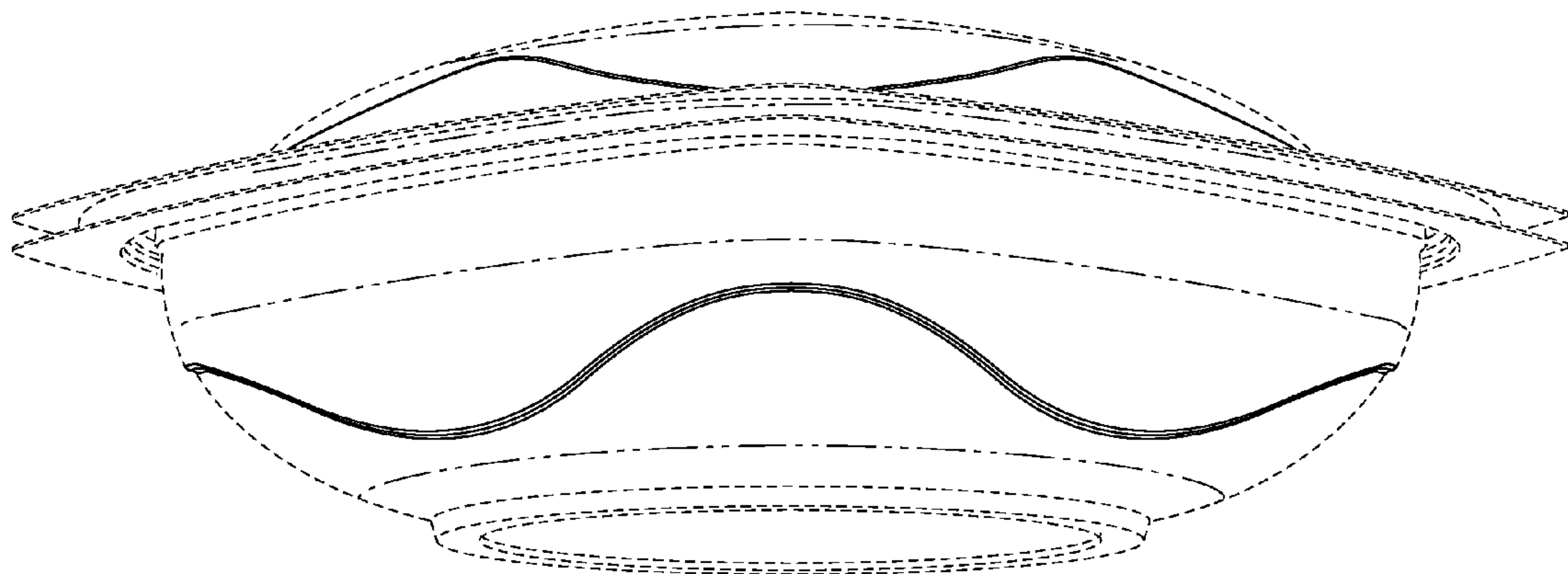


FIG. 2

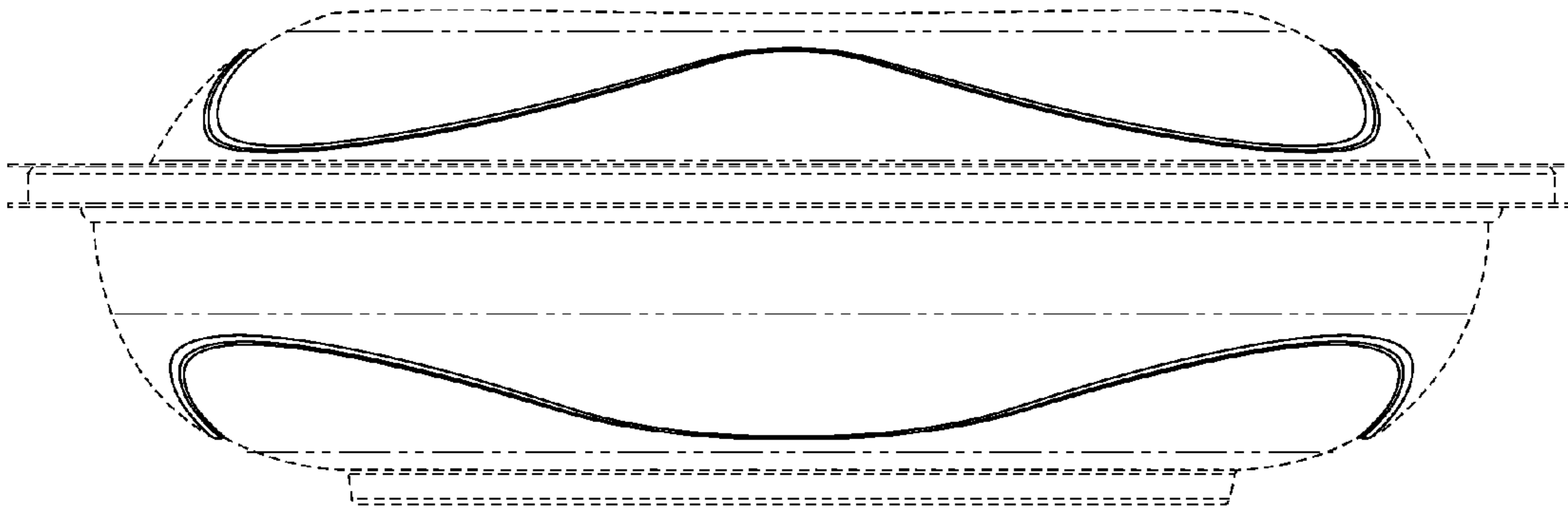


FIG. 3

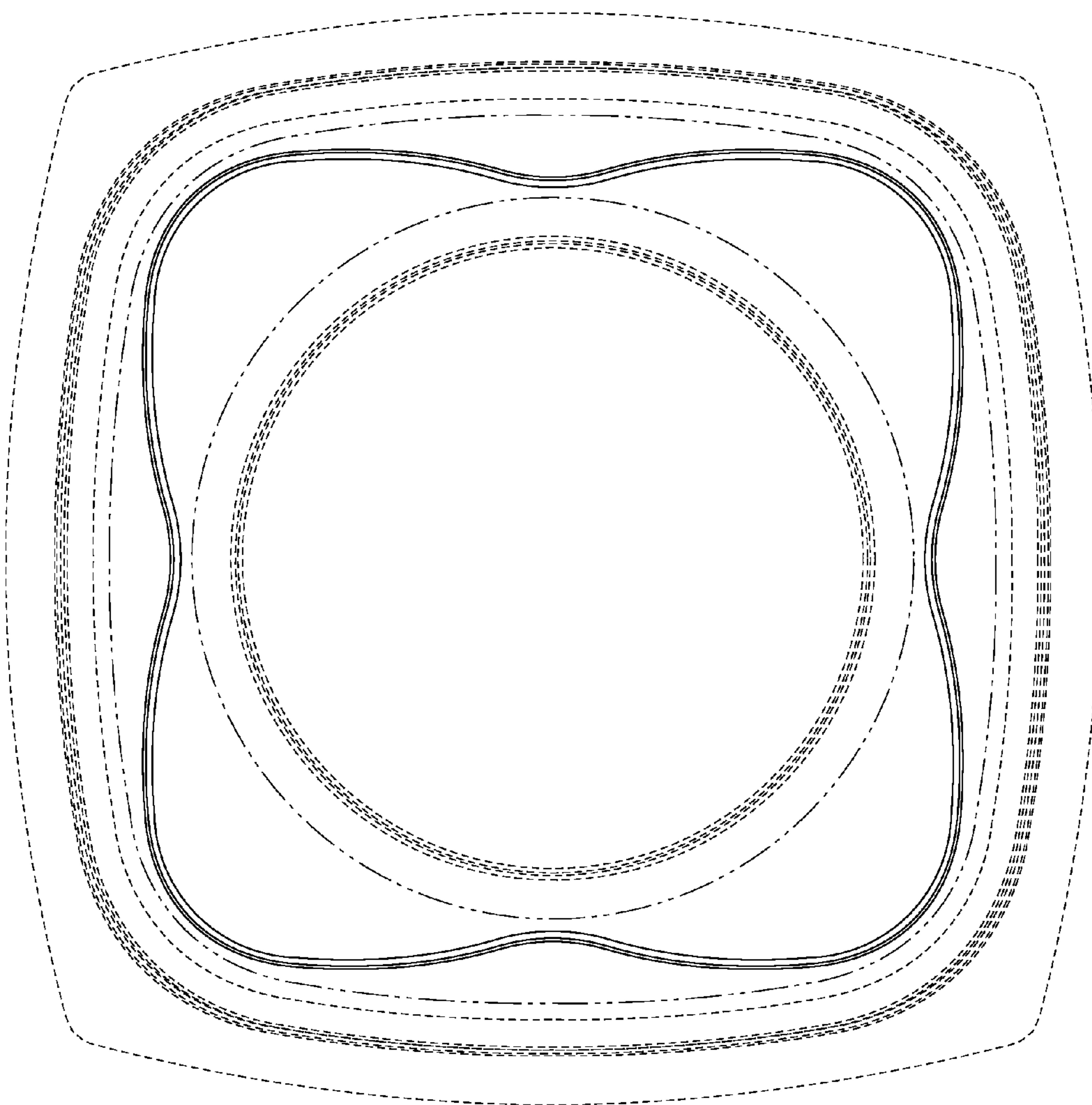


FIG. 4

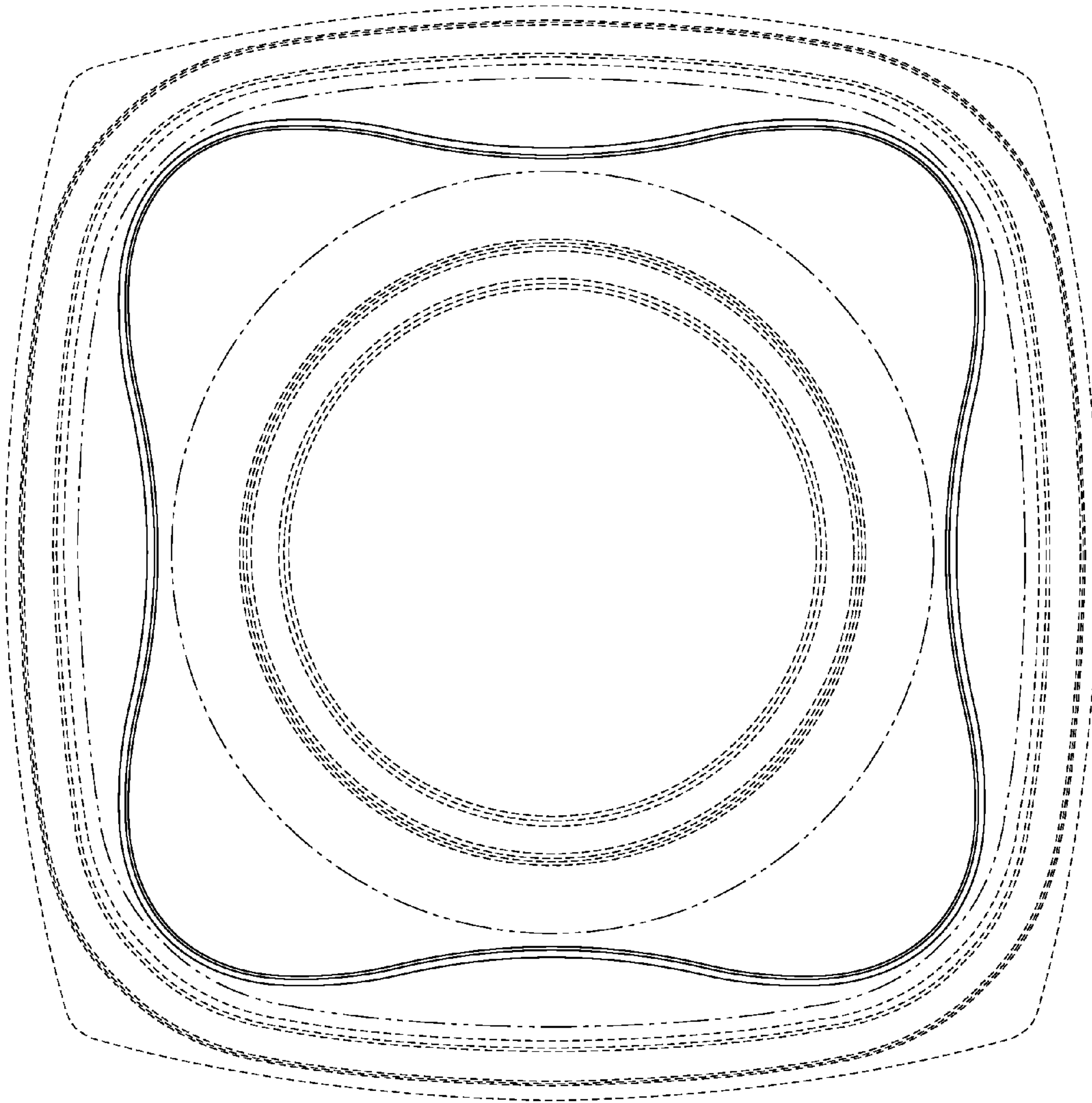


FIG. 5

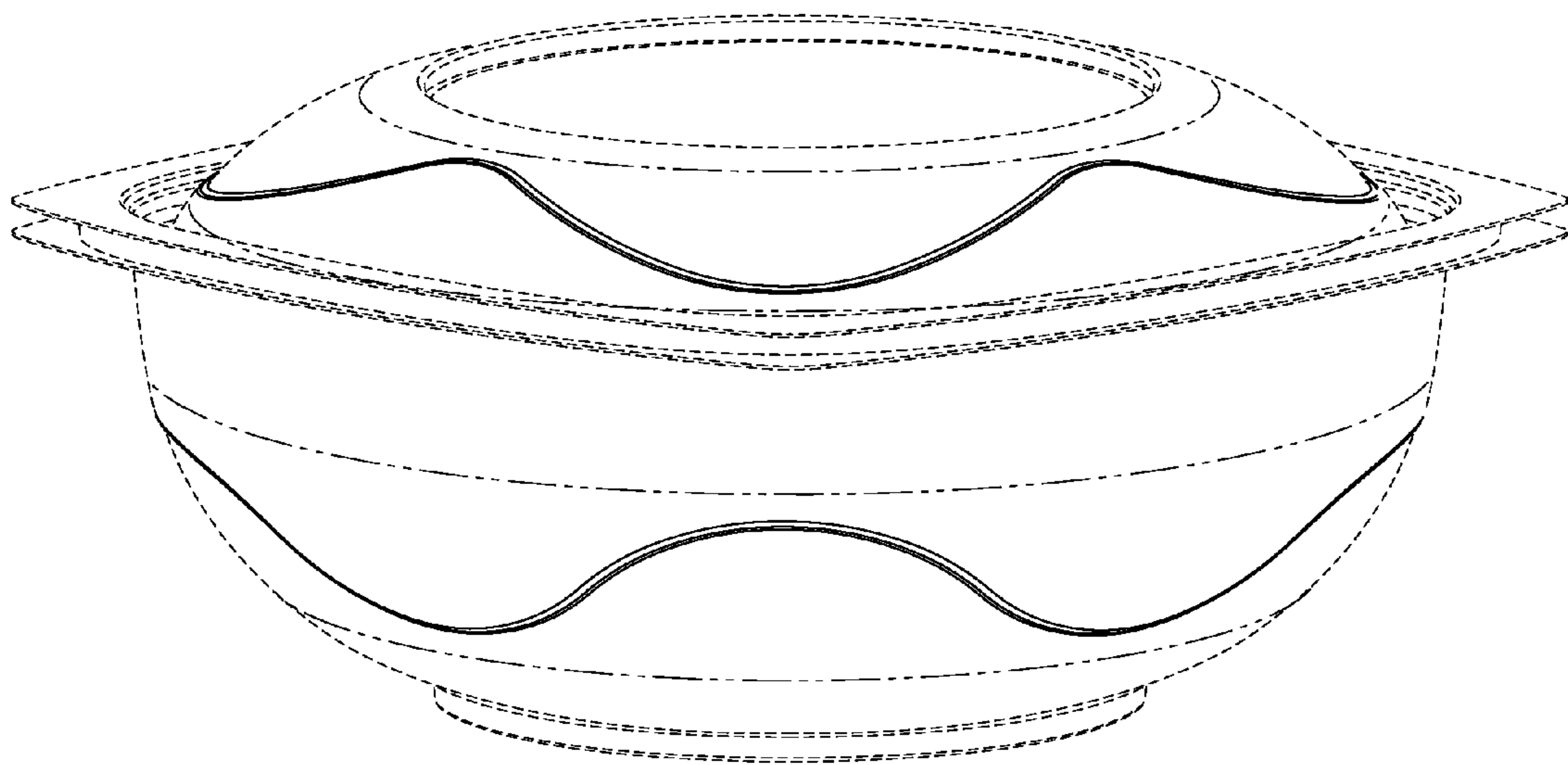


FIG. 6

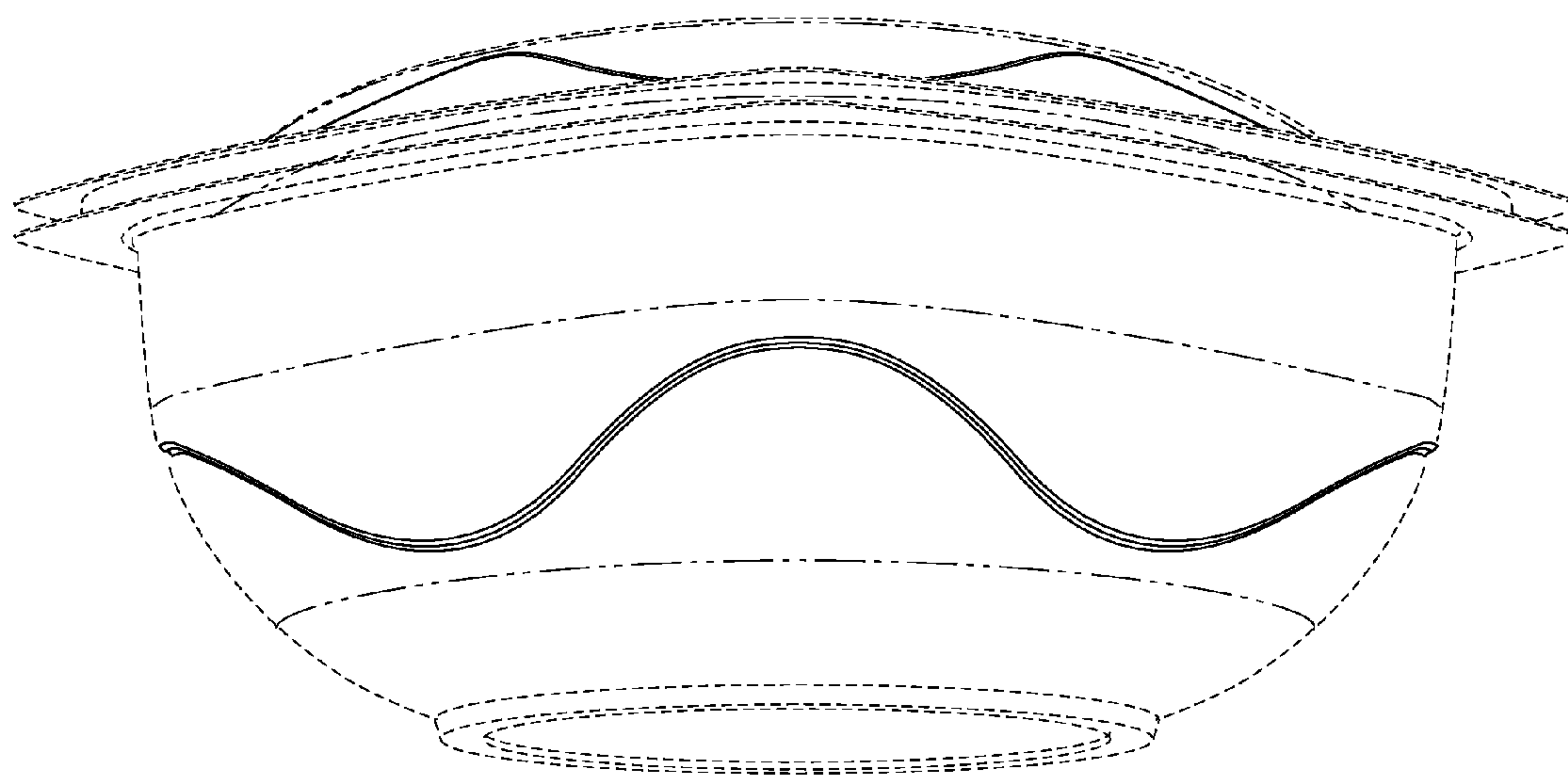


FIG. 7

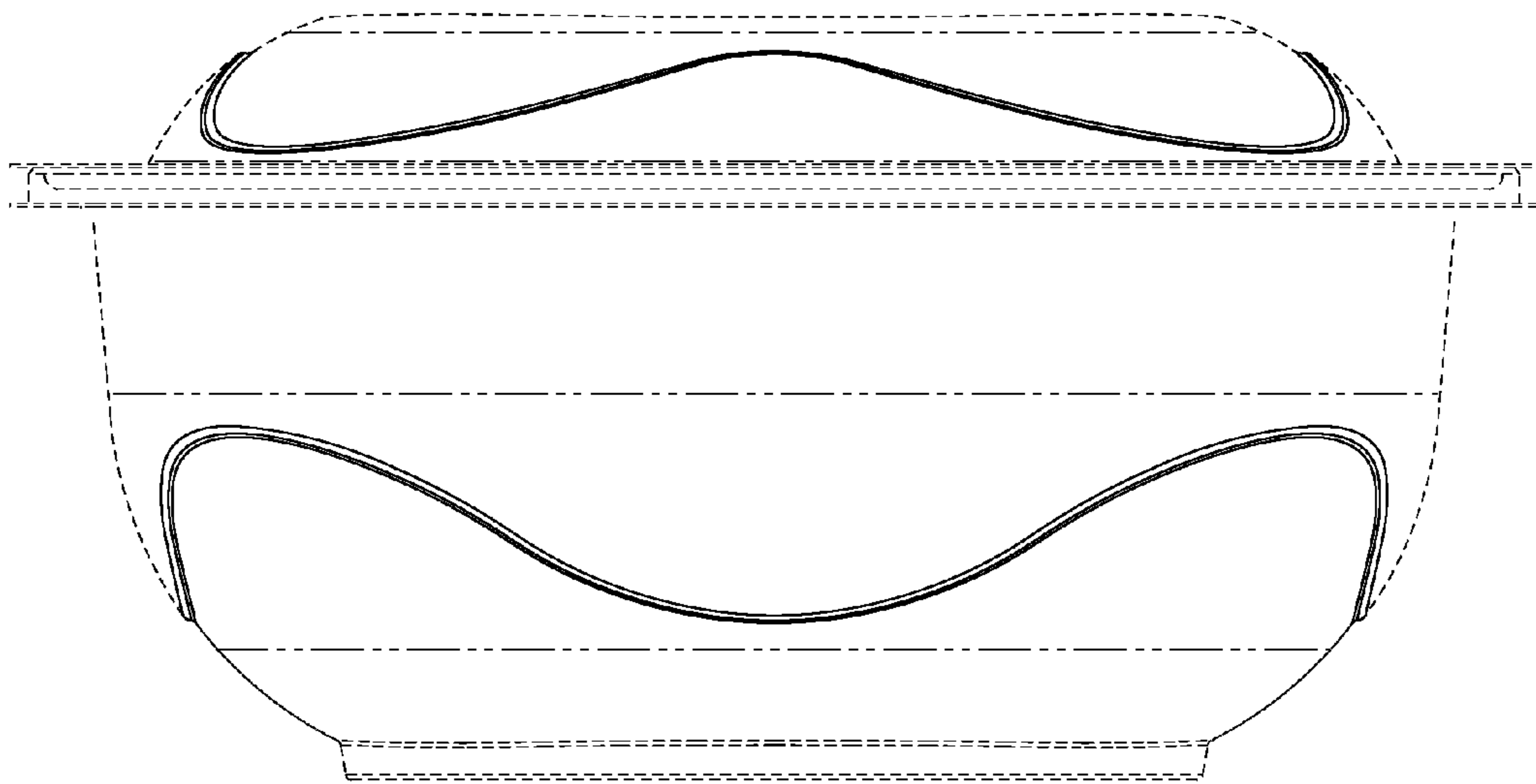


FIG. 8

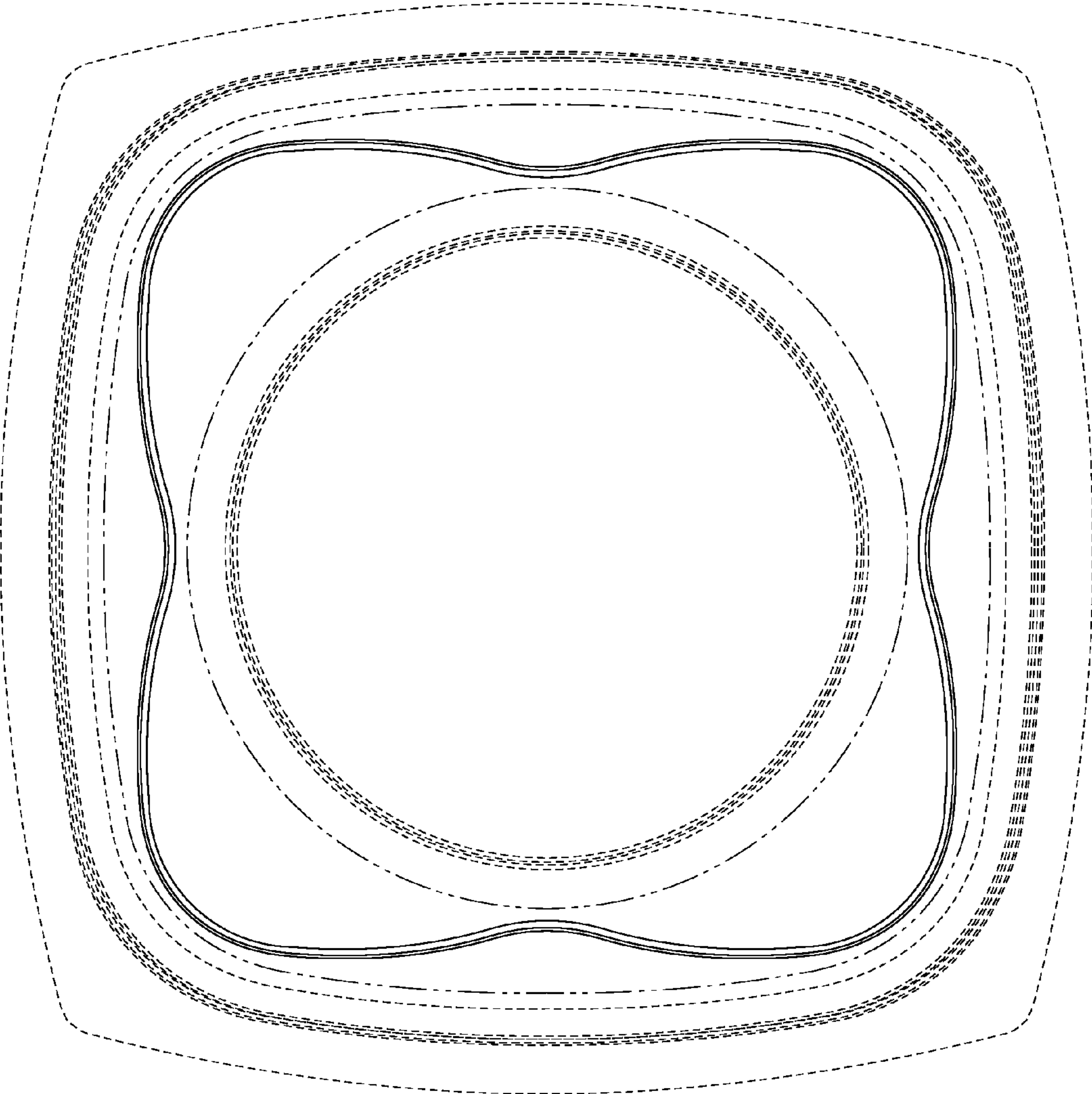


FIG. 9

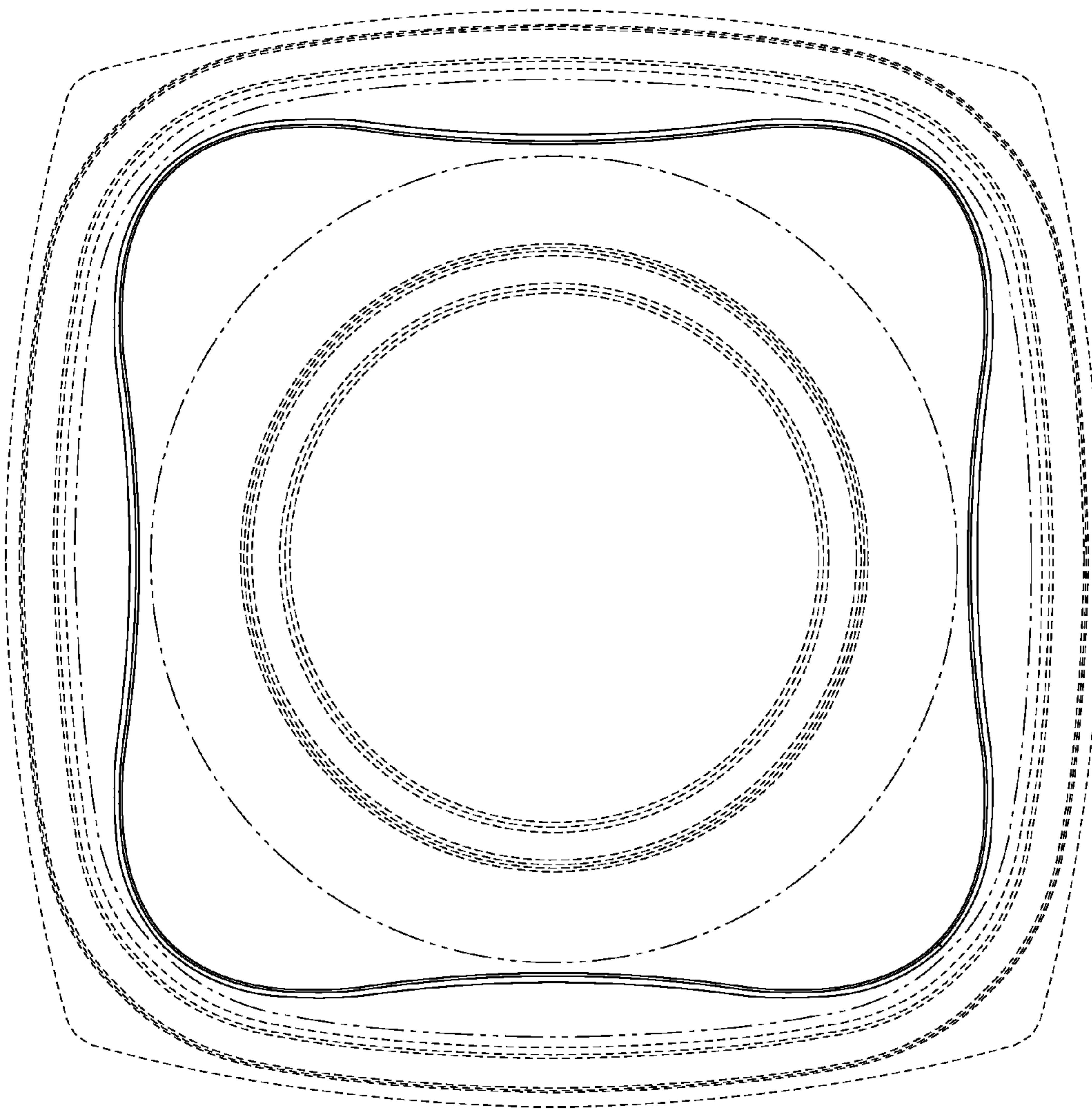


FIG. 10

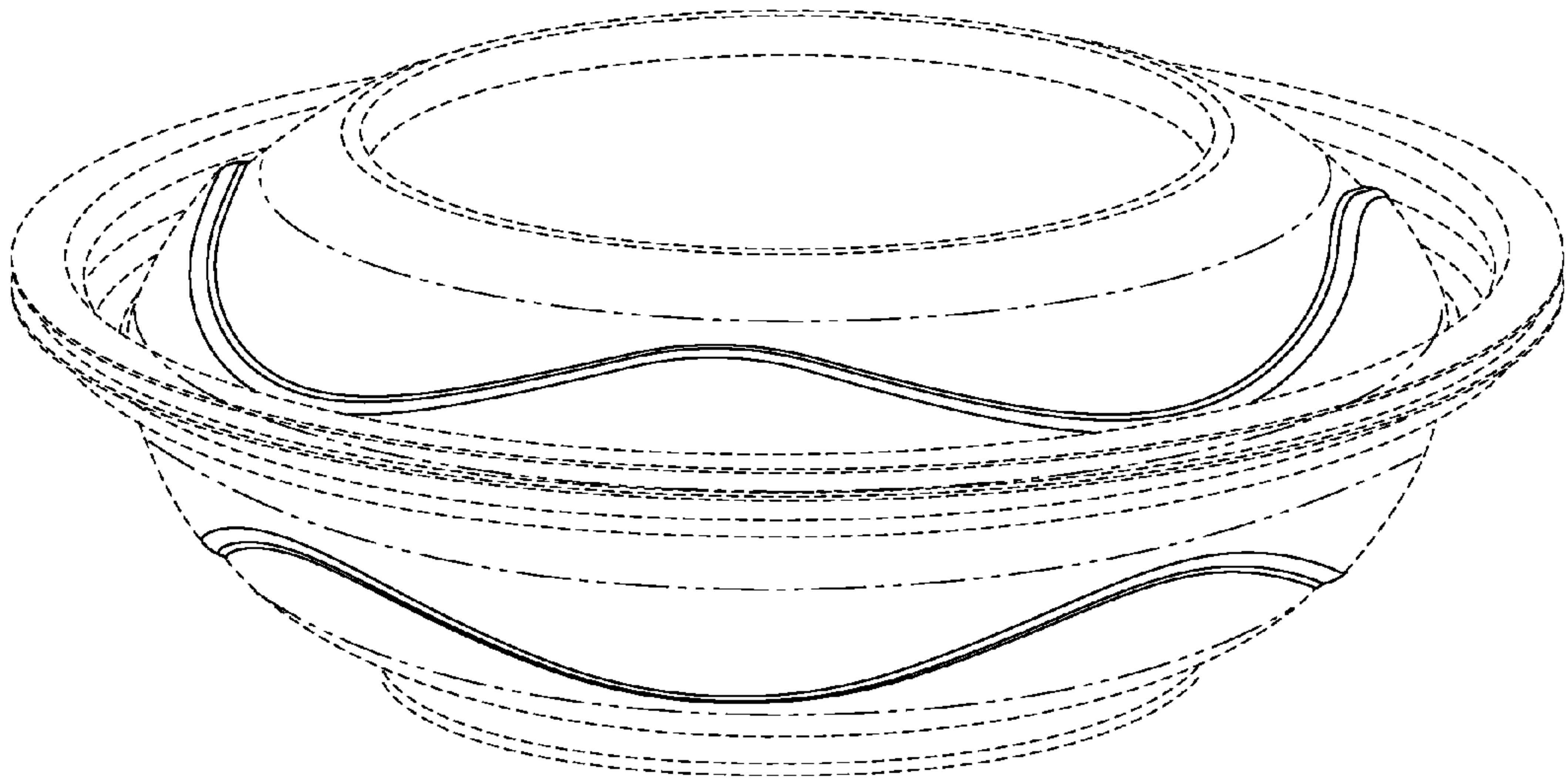


FIG. 11

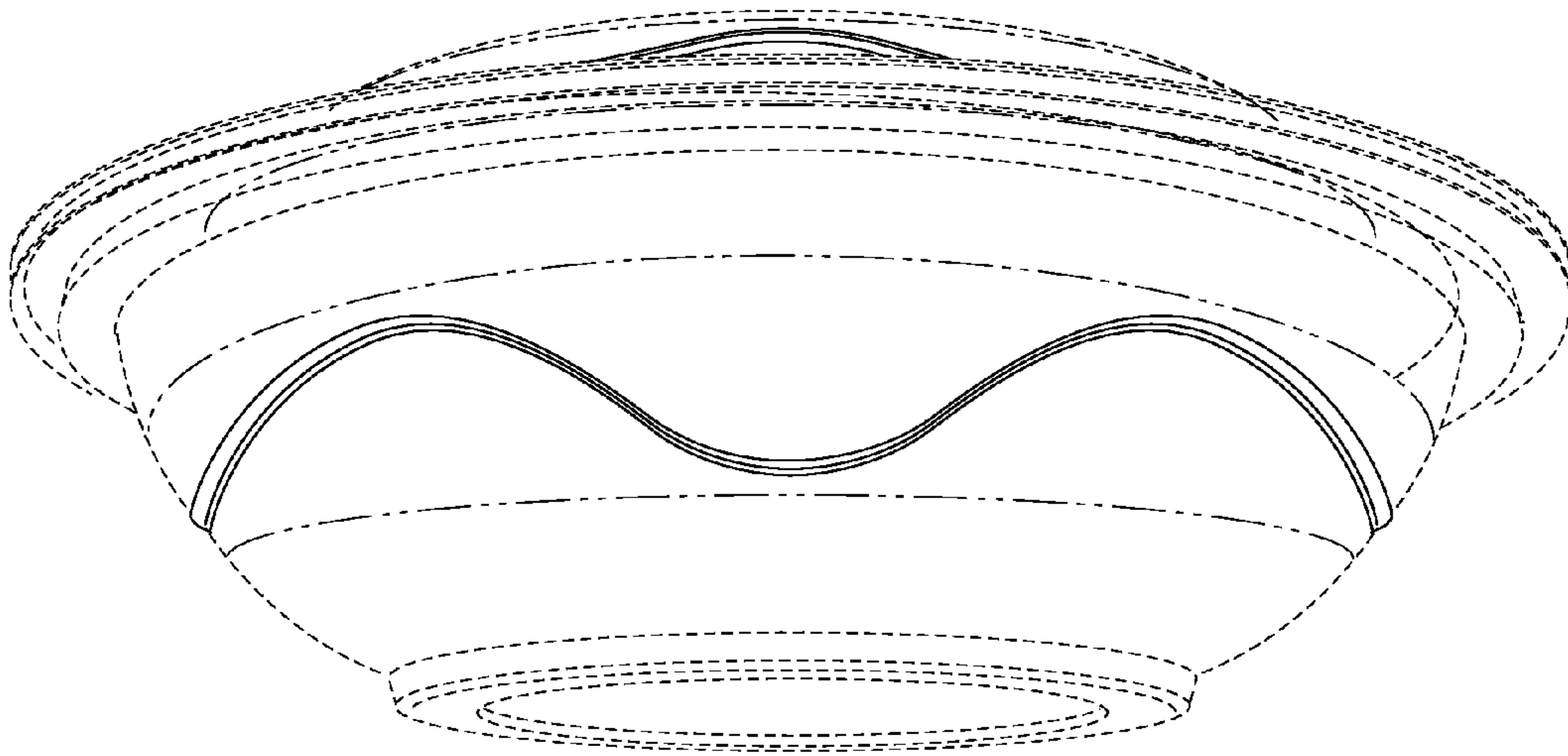


FIG. 12

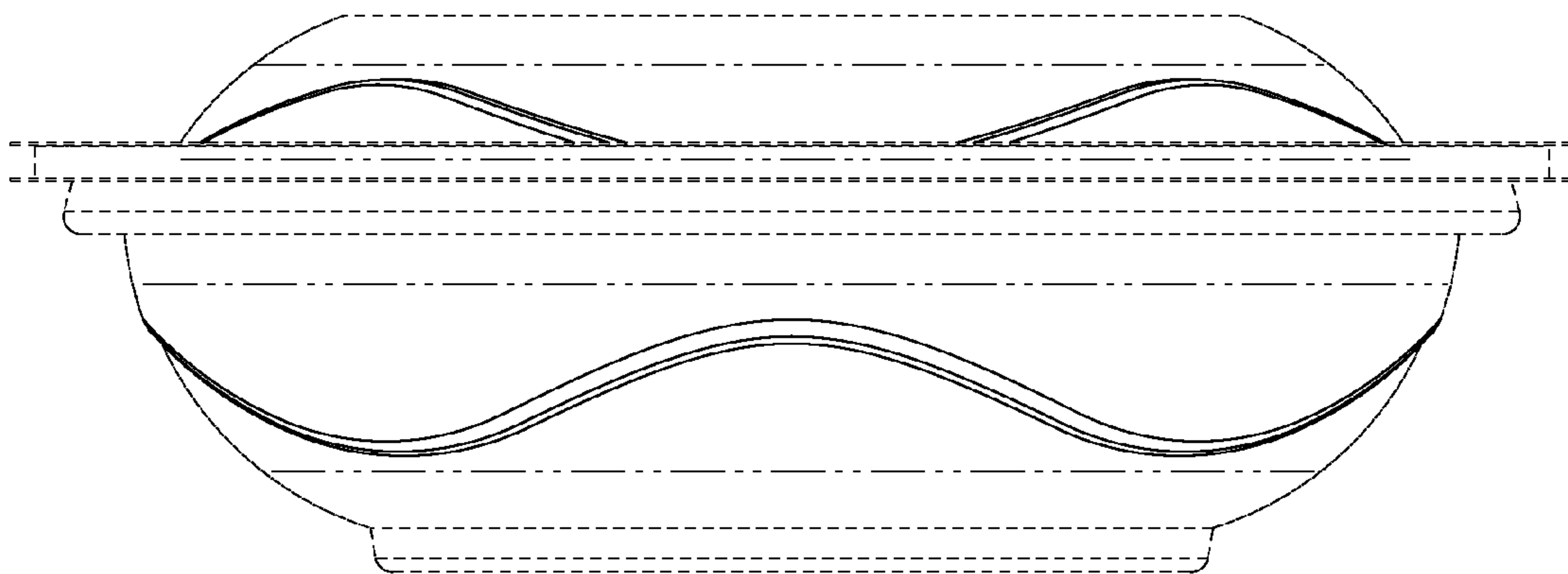


FIG. 13

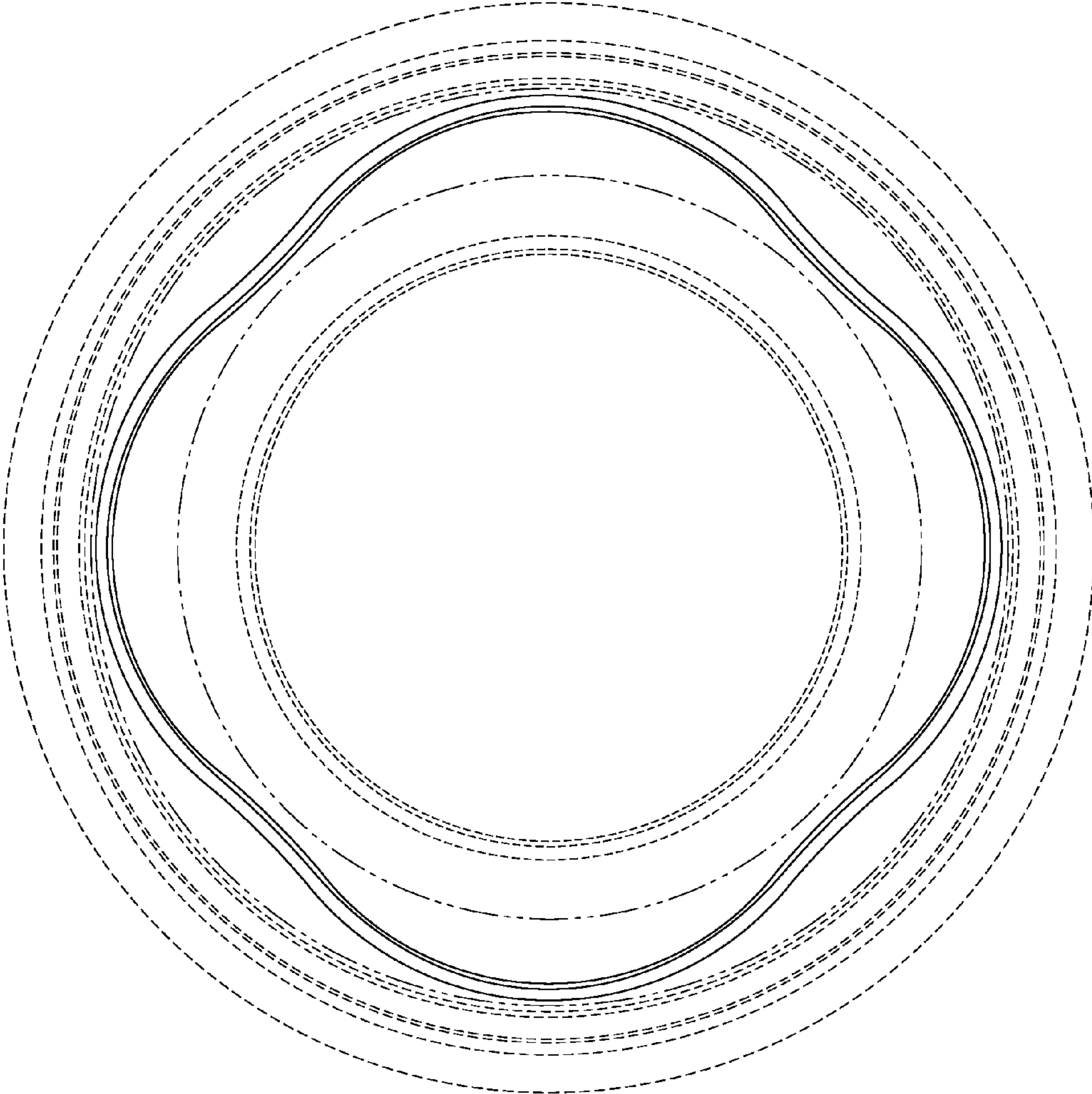


FIG. 14

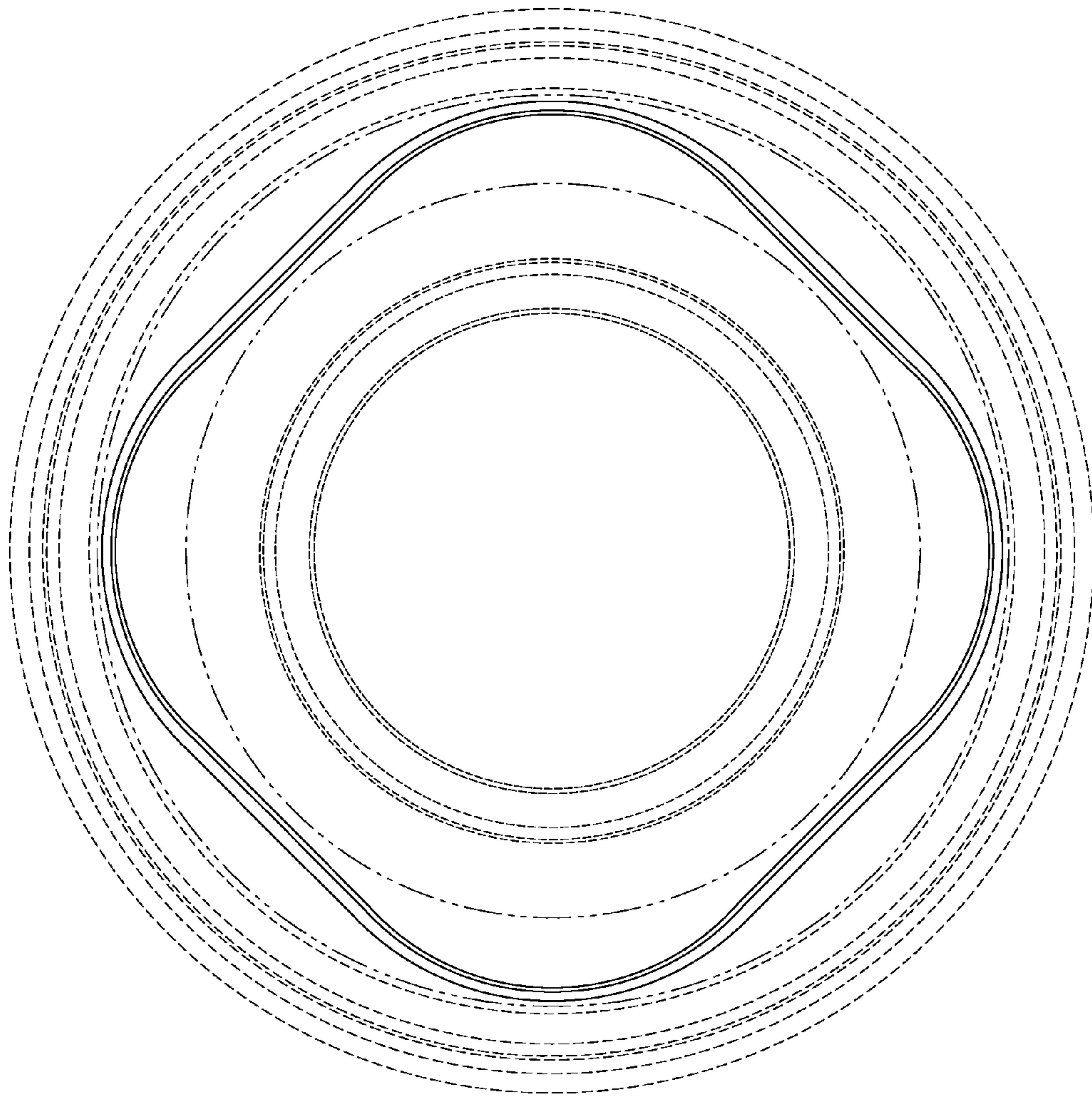


FIG. 15

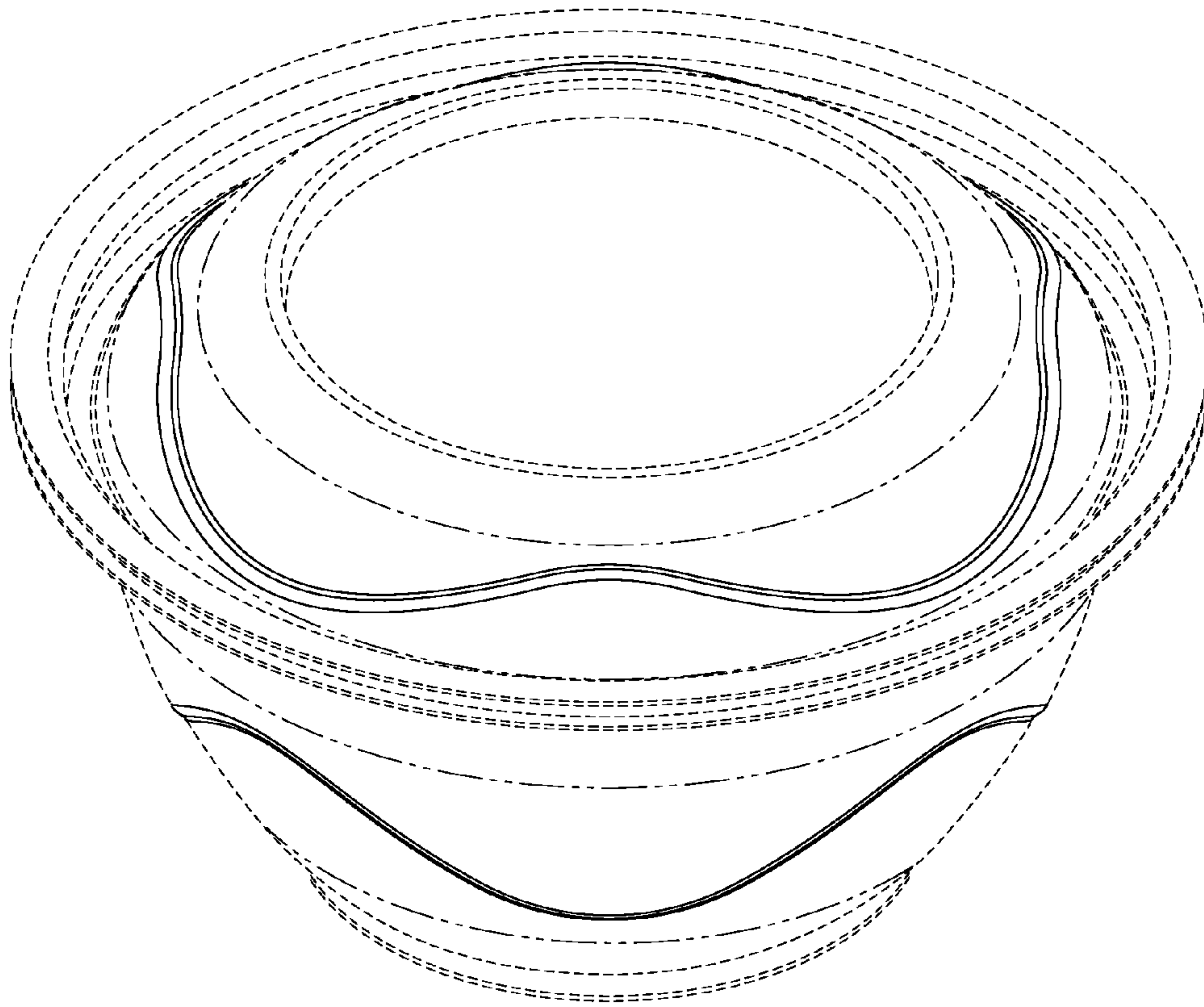


FIG. 16

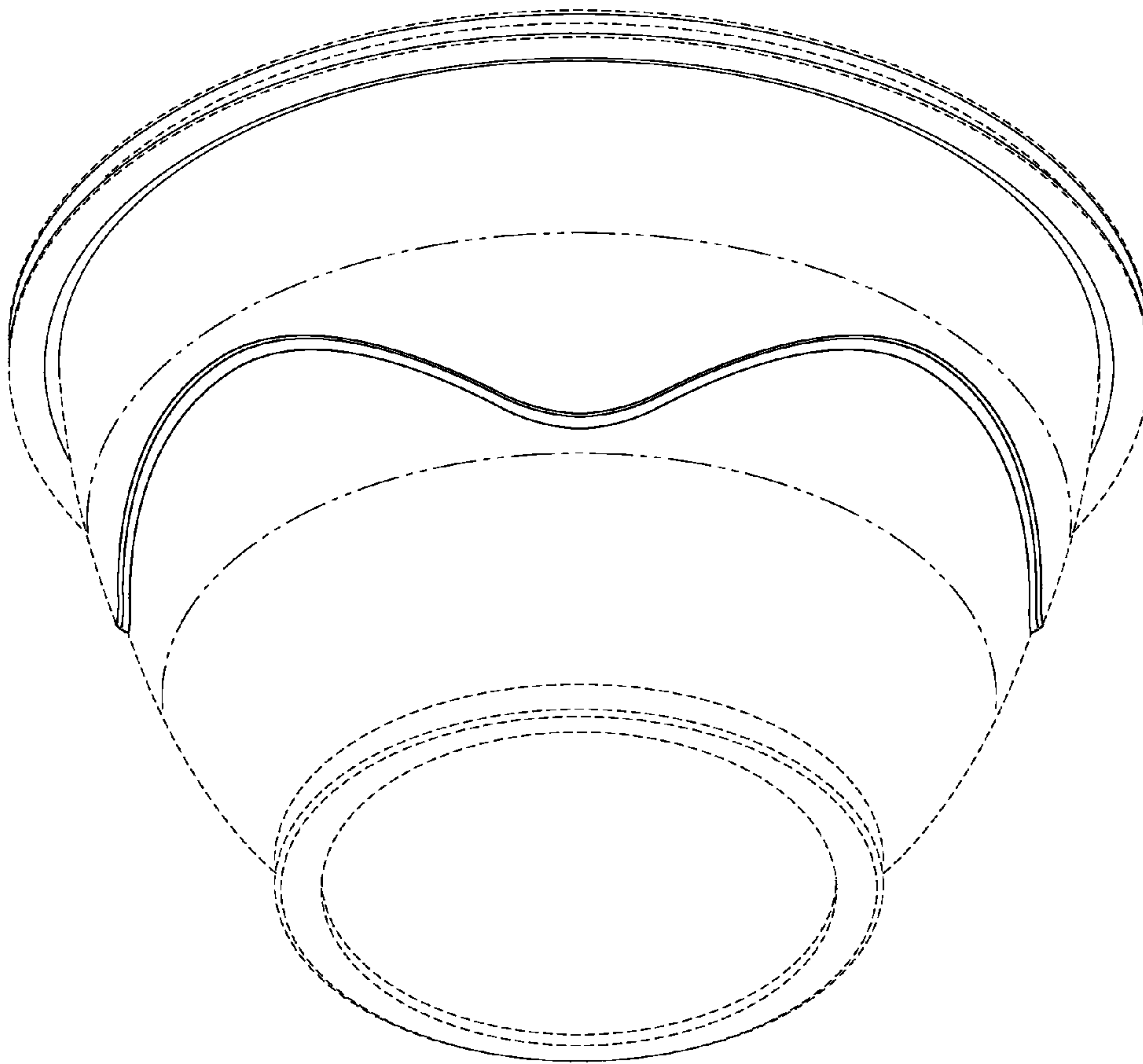


FIG. 17

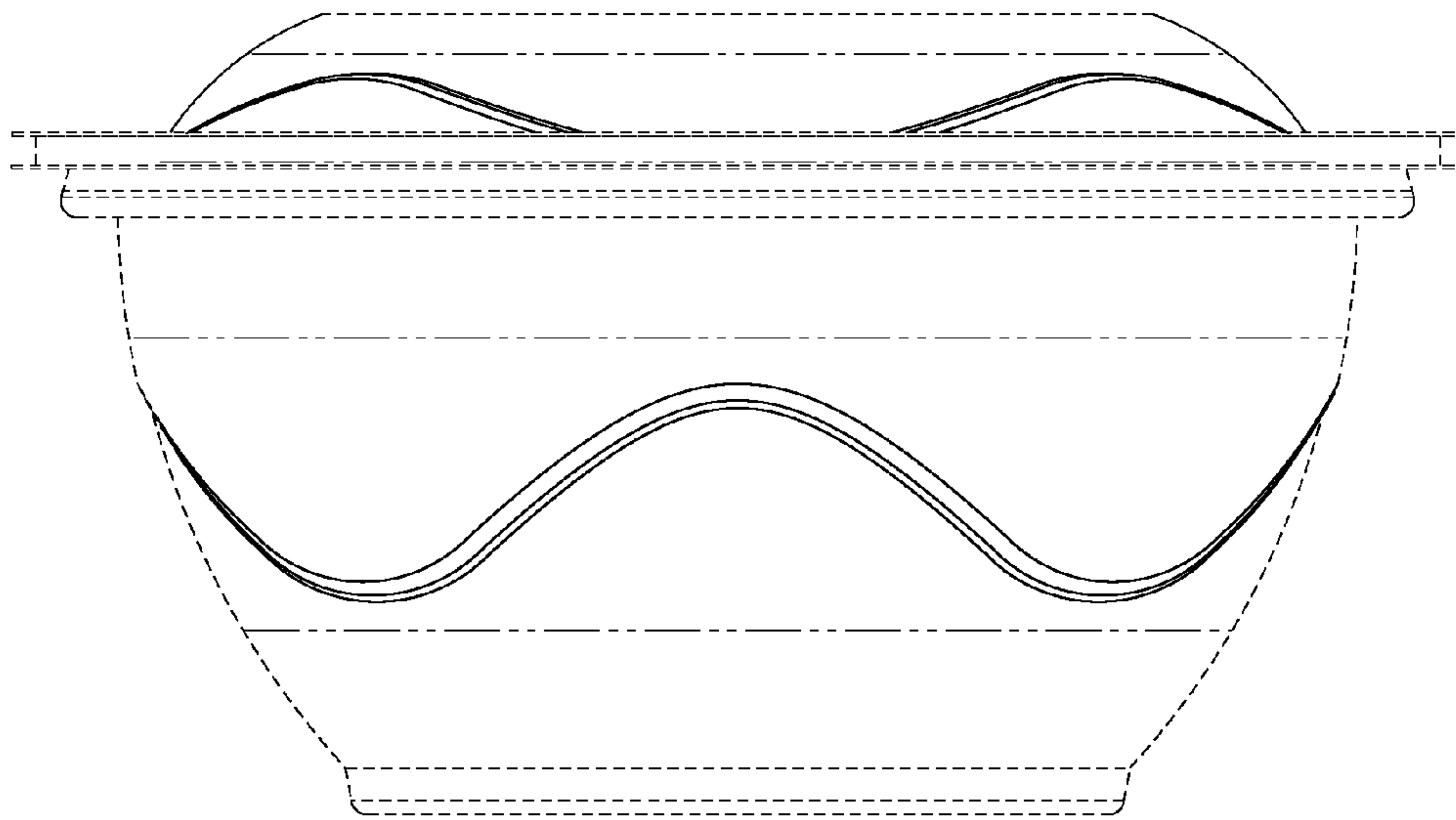


FIG. 18

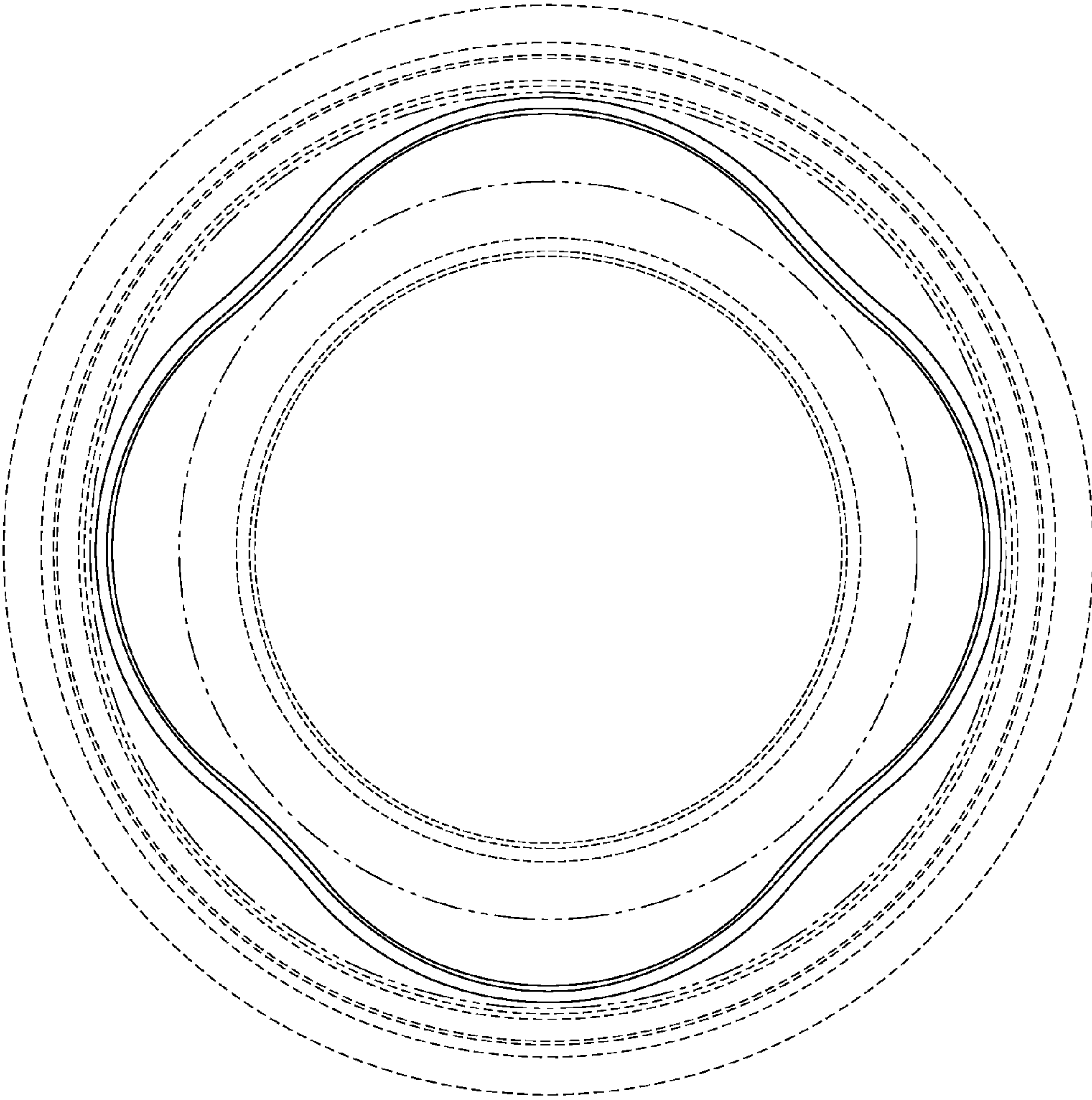


FIG. 19

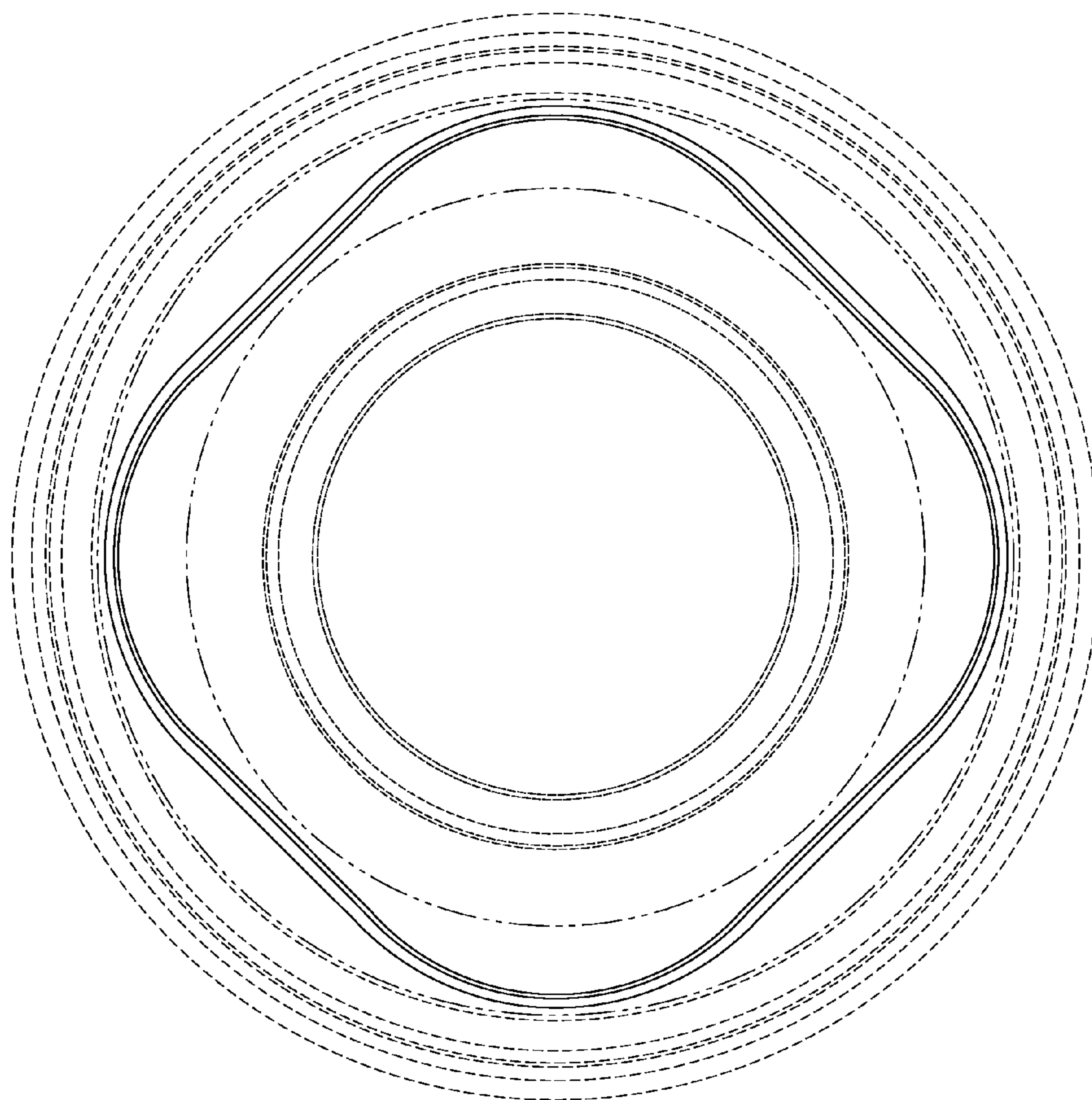


FIG. 20

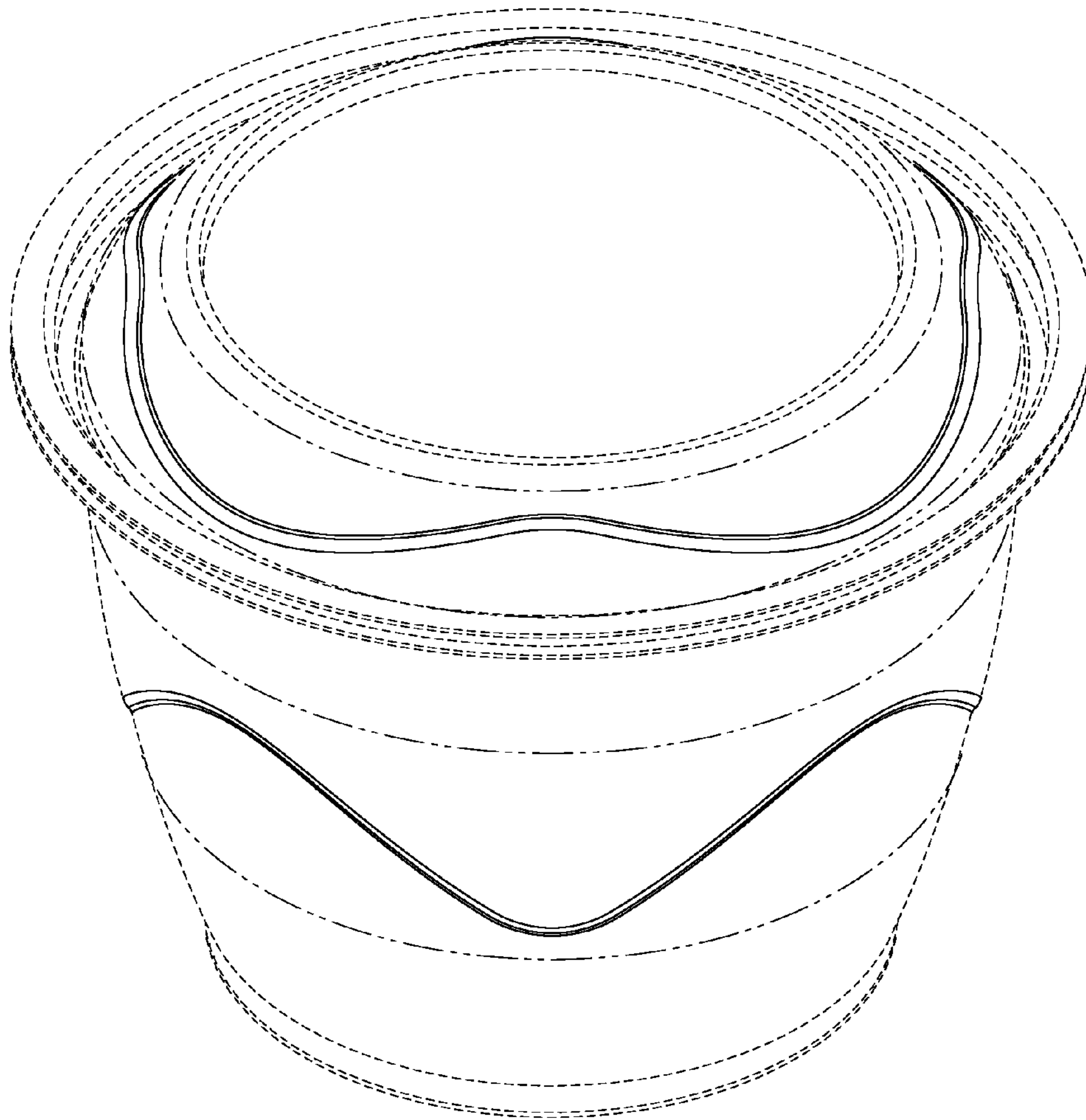


FIG. 21

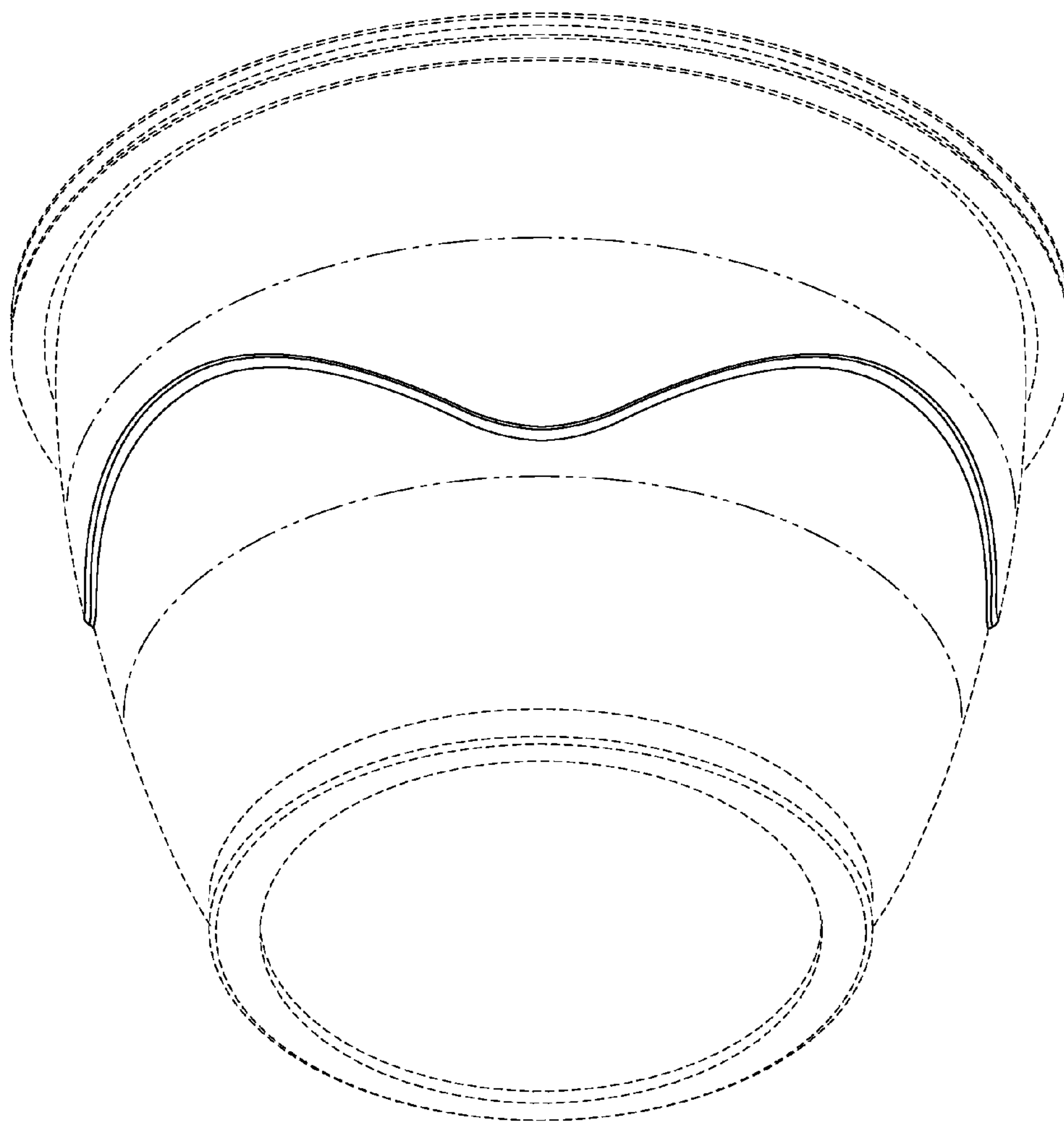


FIG. 22

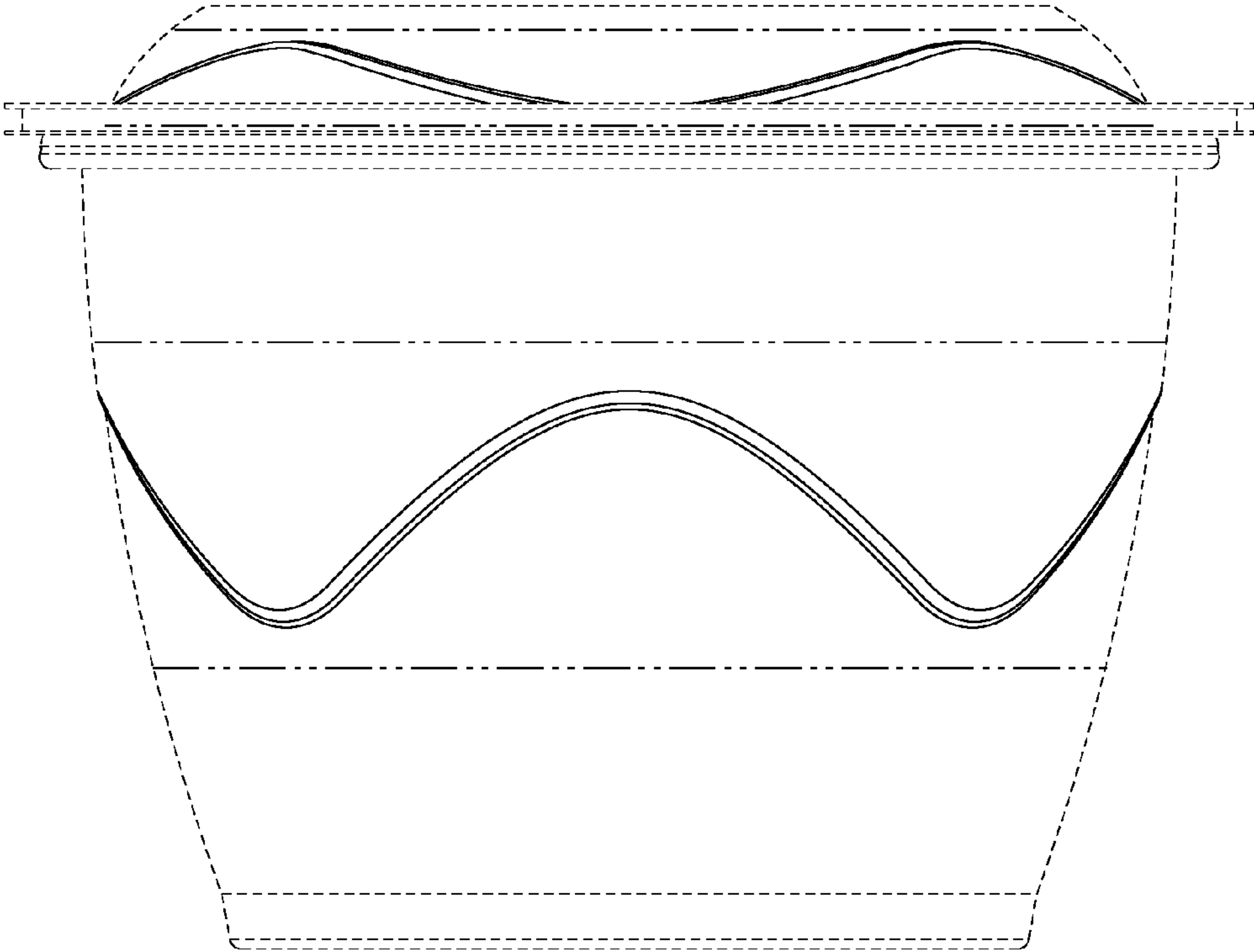


FIG. 23

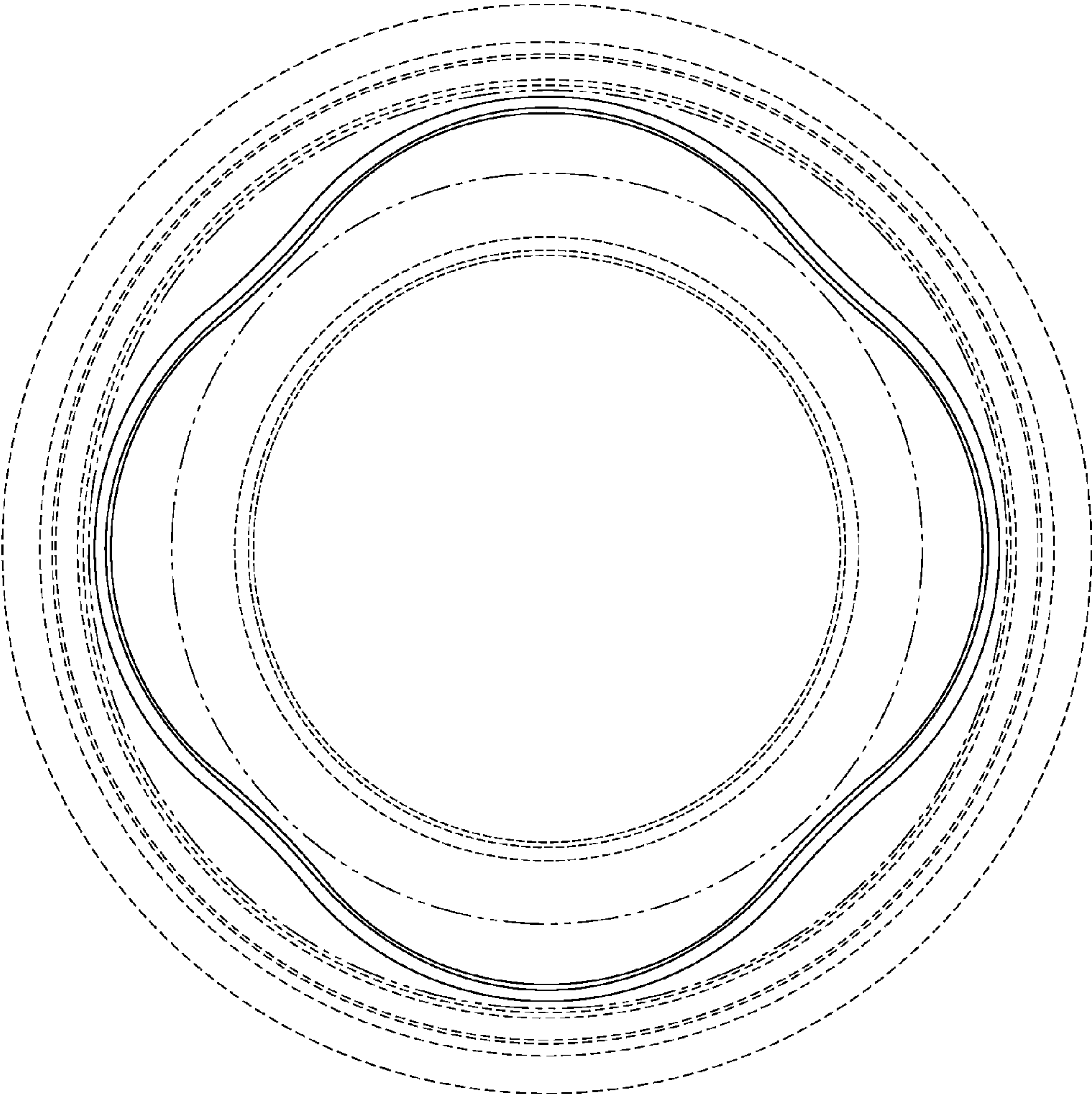


FIG. 24

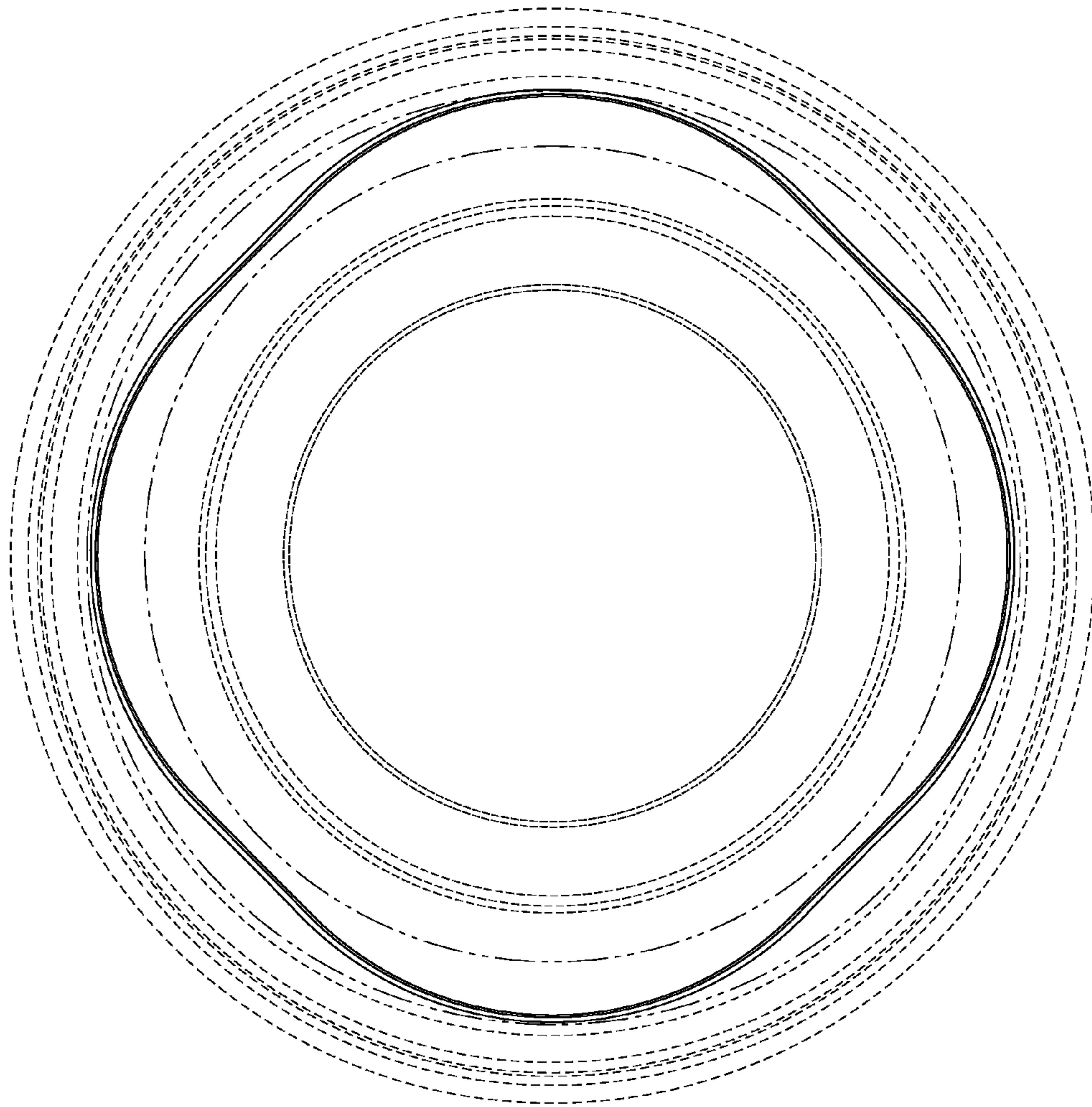


FIG. 25