



US00D696065S

(12) **United States Design Patent**
Rae

(10) **Patent No.:** **US D696,065 S**

(45) **Date of Patent:** **** Dec. 24, 2013**

(54) **COOKWARE SIDE HANDLE**

(71) Applicant: **Robert A. Rae**, Las Vegas, NV (US)

(72) Inventor: **Robert A. Rae**, Las Vegas, NV (US)

(73) Assignee: **Meyer Intellectual Properties Limited**
(VG)

(**) Term: **14 Years**

(21) Appl. No.: **29/457,802**

(22) Filed: **Jun. 13, 2013**

Related U.S. Application Data

(62) Division of application No. 29/426,241, filed on Jul. 2, 2012, now Pat. No. Des. 687,260.

(51) **LOC (9) Cl.** **07-02**

(52) **U.S. Cl.**
USPC **D7/394**

(58) **Field of Classification Search**

USPC D7/354-361, 391, 393-395, 396.2, 514,
D7/664; D8/107, 300, 301, 306, 315, 316,
D8/317, 319, 320, 321; 16/430, 431,
16/110.1, 114.1, 407, 416, 429, 443, 441;
220/377, 573.1-573.5, 752, 753, 755,
220/756, 760, 772, 773, 912; D3/318;
138/121, 145, 173

See application file for complete search history.

(56) **References Cited**

U.S. PATENT DOCUMENTS

D344,430 S * 2/1994 Raoult D7/394
D391,444 S * 3/1998 Munari D7/394

D444,346 S * 7/2001 Rae D7/394
D457,385 S * 5/2002 Dodane D7/393
D505,268 S * 5/2005 Potempa D4/129
D525,079 S * 7/2006 Munari D7/394
D607,270 S * 1/2010 Munari D7/394

* cited by examiner

Primary Examiner — Cynthia M Chin

(74) *Attorney, Agent, or Firm* — Edward S. Sherman

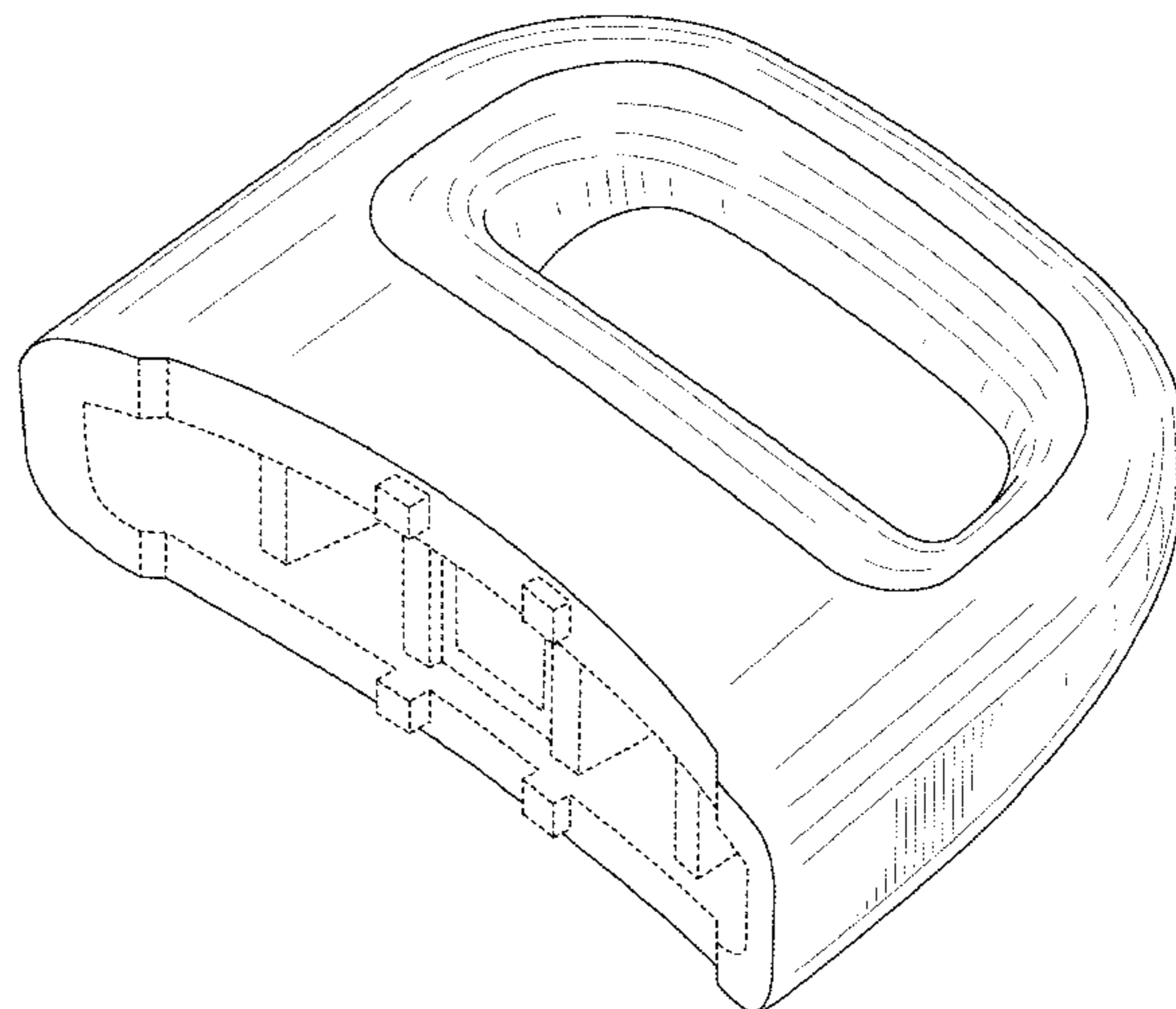
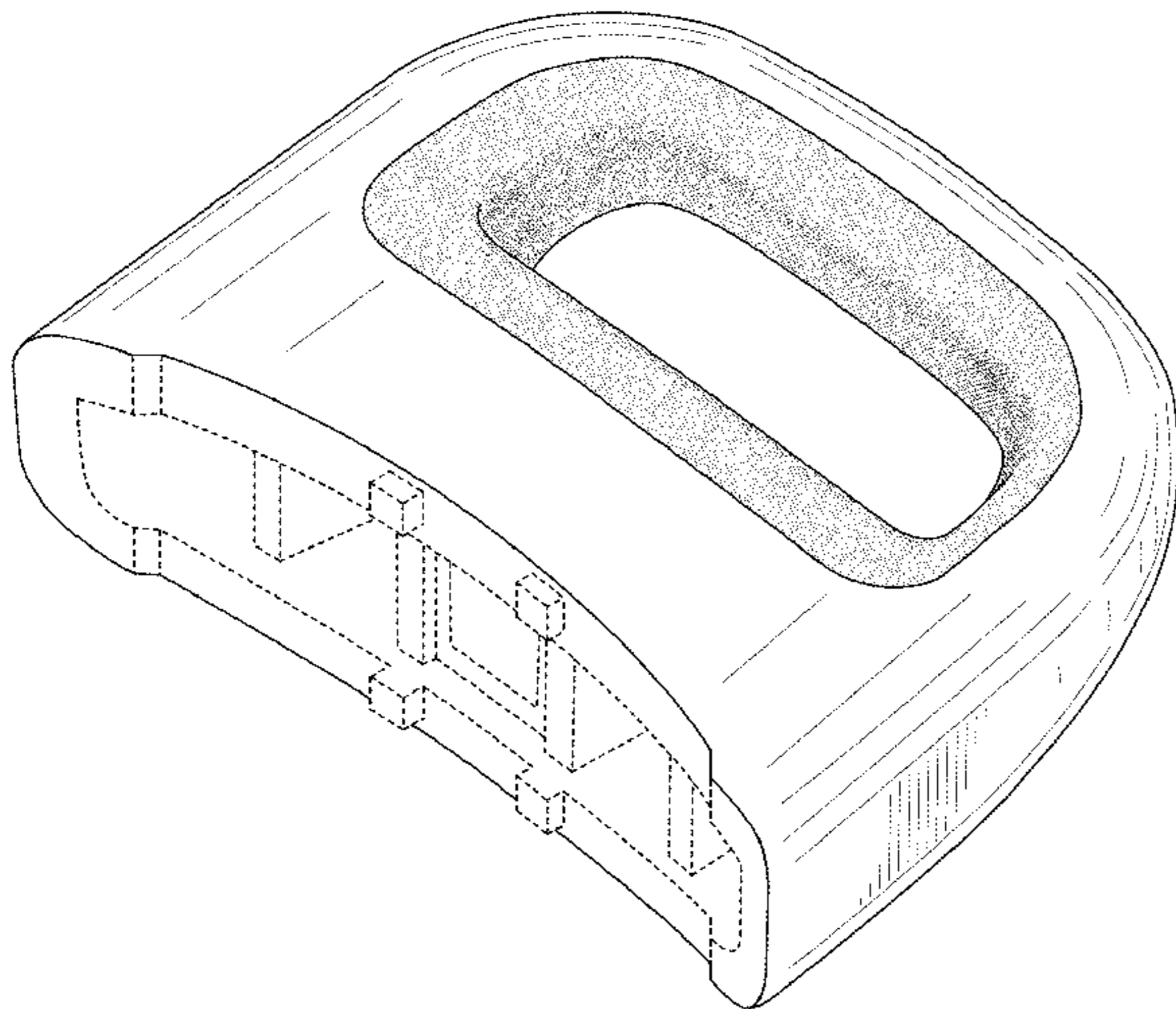
(57) **CLAIM**

The ornamental design for a cookware side handle, as shown and described.

DESCRIPTION

FIG. 1 is a perspective view of a first embodiment an “cookware side handle” showing my new design; FIG. 2 is a right side elevation view thereof; the left side elevation view being the mirror image thereof, FIG. 3 is a top plan view thereof; FIG. 4 is a bottom plan view thereof; FIG. 5 is a front elevation view thereof; FIG. 6 is a rear elevation view thereof; FIG. 7 is a perspective view of a second embodiment of my new design; FIG. 8 is a right side elevation view thereof; the left side elevation view being the mirror image thereof, FIG. 9 is a top plan view thereof; FIG. 10 is a bottom plan view thereof; FIG. 11 is a front elevation view thereof; and, FIG. 12 is a rear elevation view thereof. The dash-dot broken lines in FIGS. 6 & 12 represent the bounds of the claim. The regularly-spaced broken lines represent the environment in which the article resides. None of the broken lines form a part of the claimed design.

1 Claim, 12 Drawing Sheets



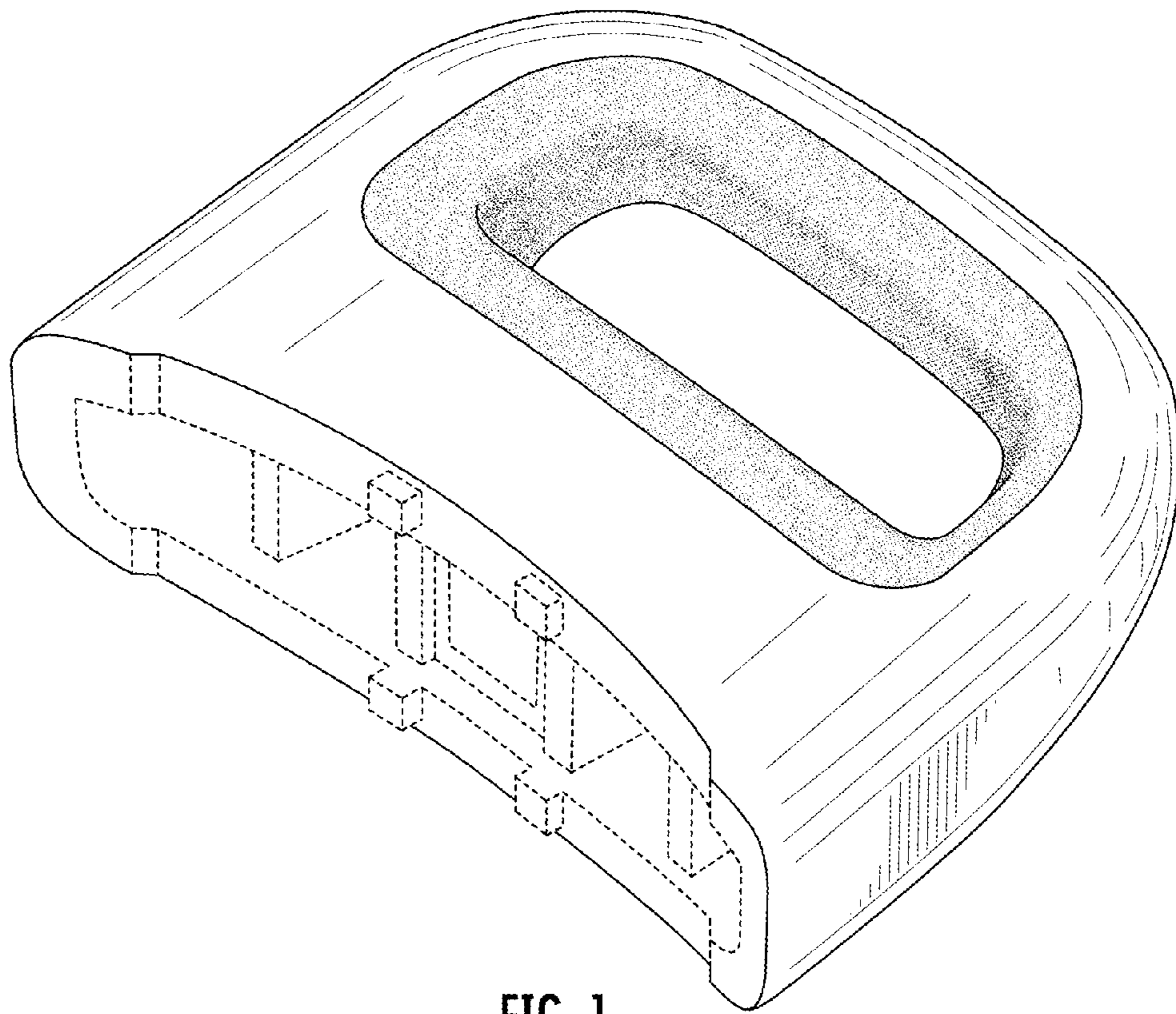


FIG. 1

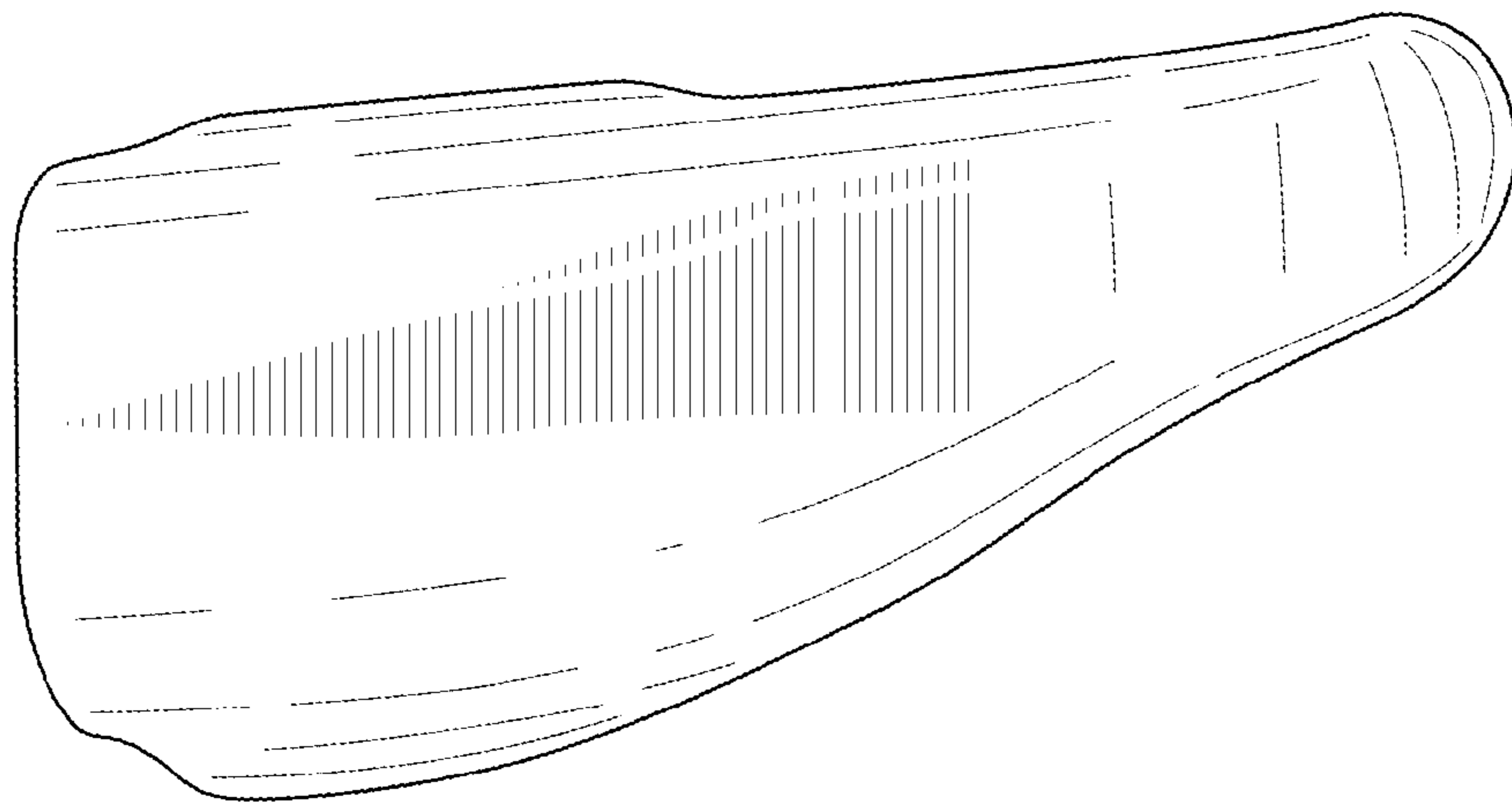


FIG. 2

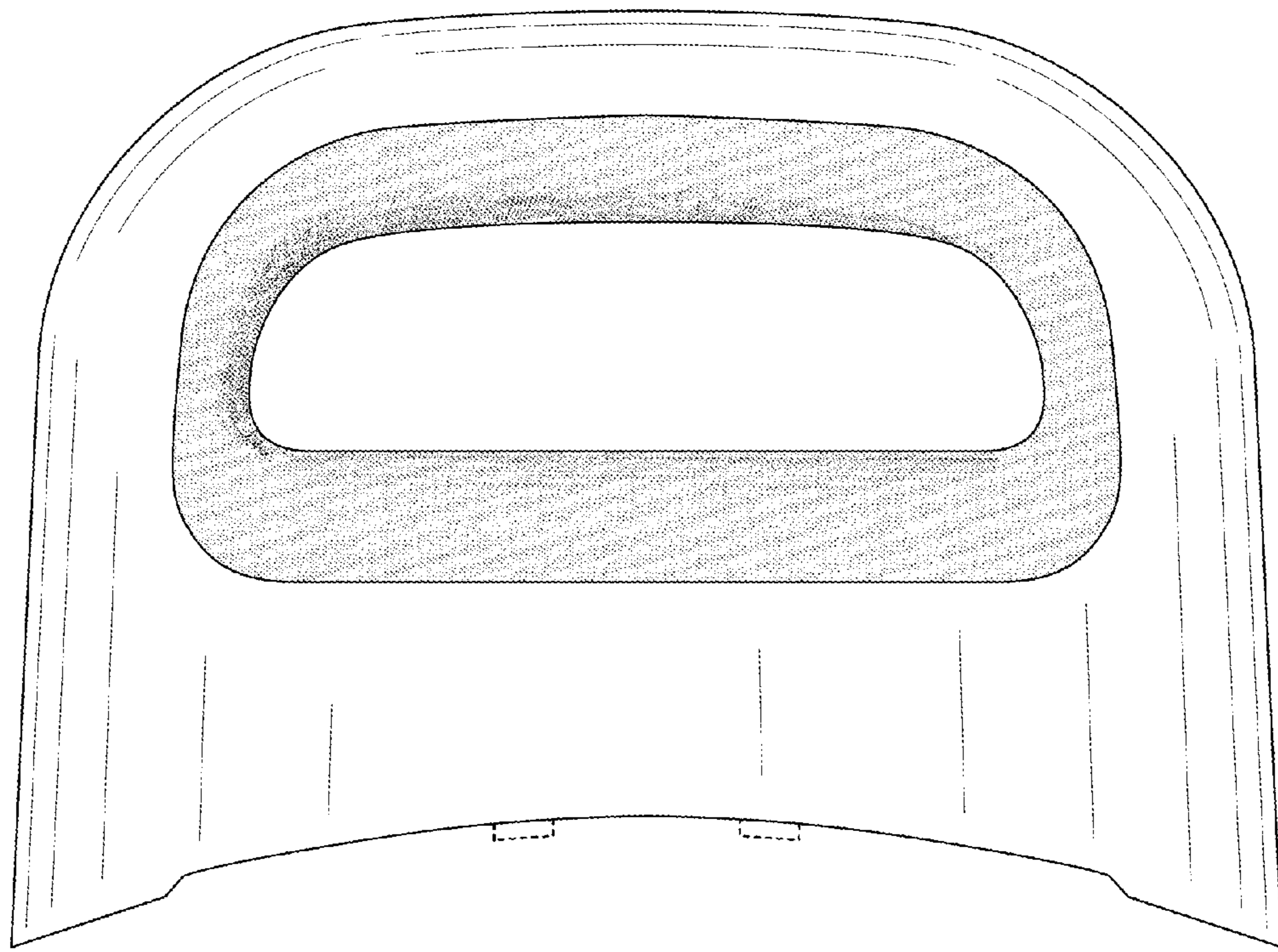


FIG. 3

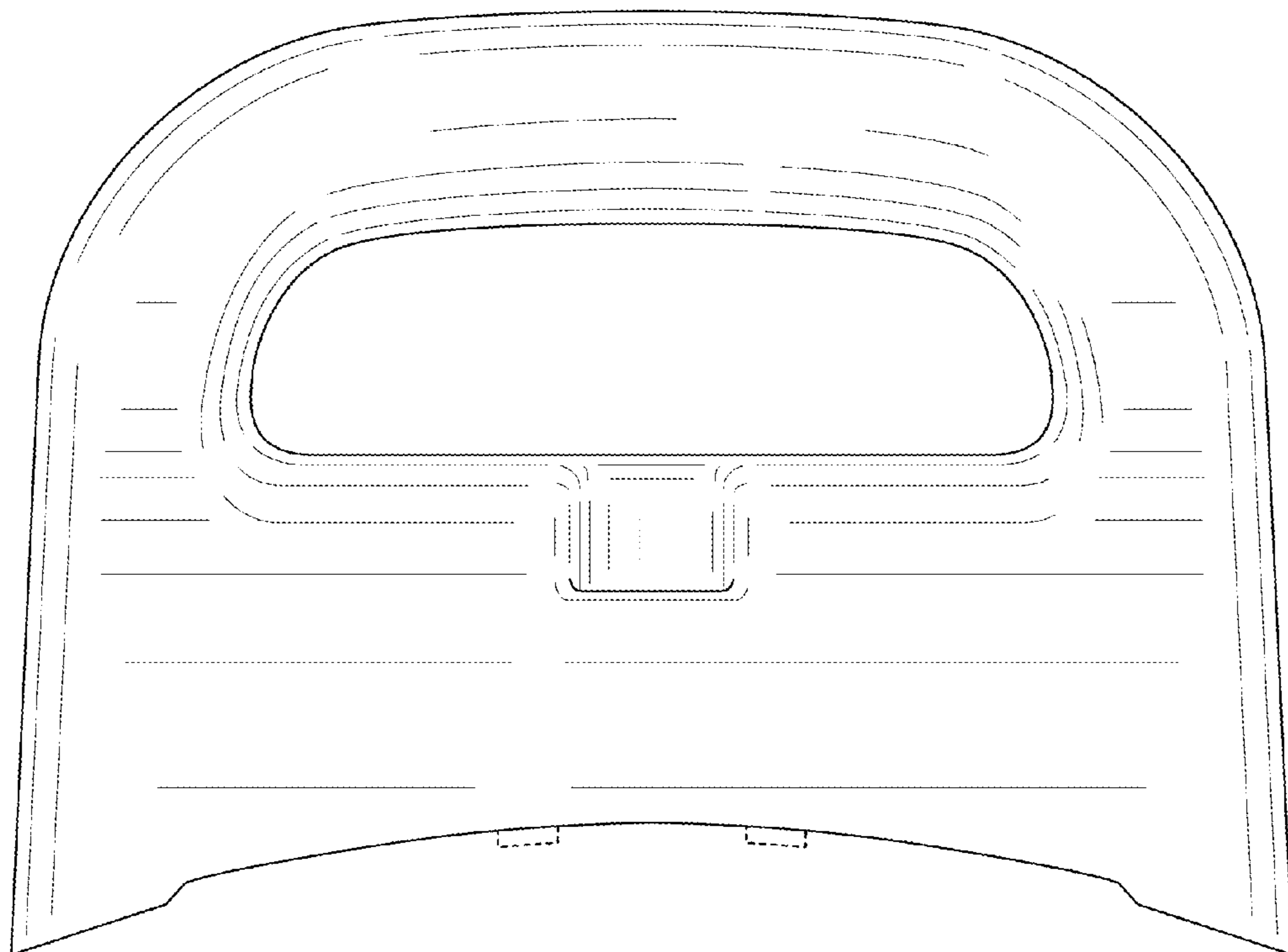


FIG. 4

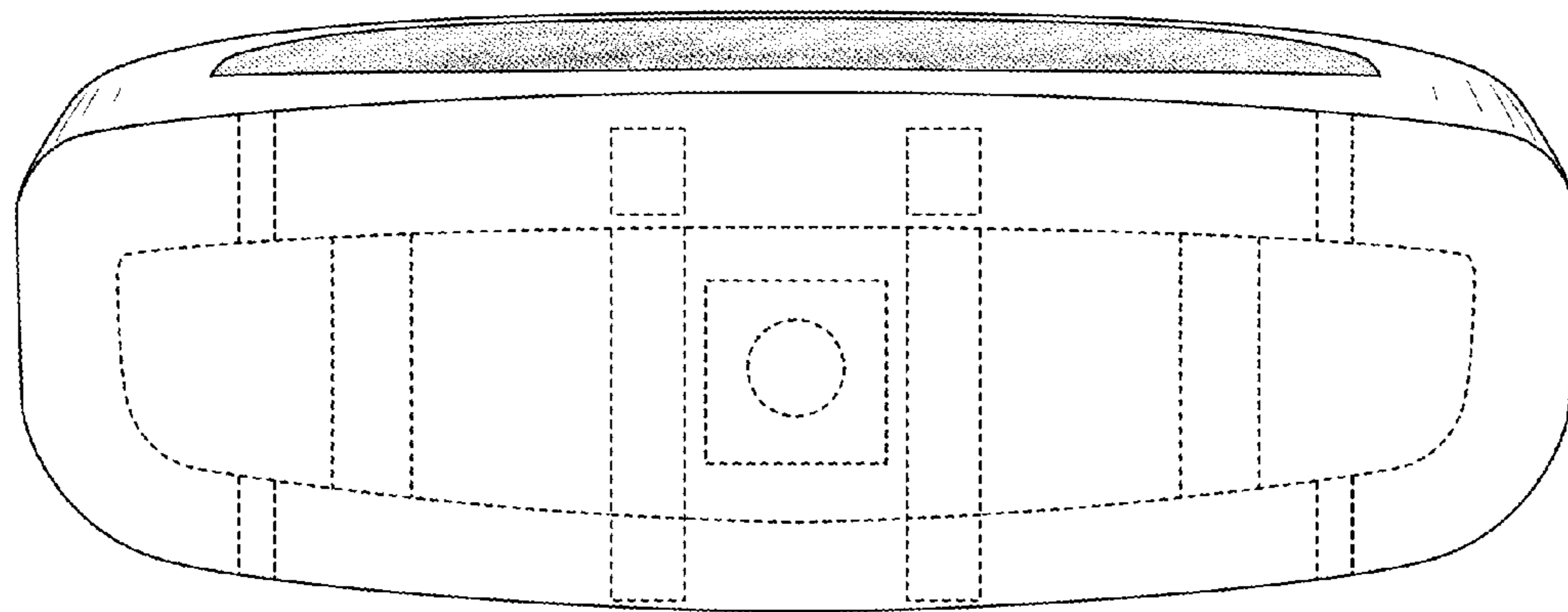


FIG. 5

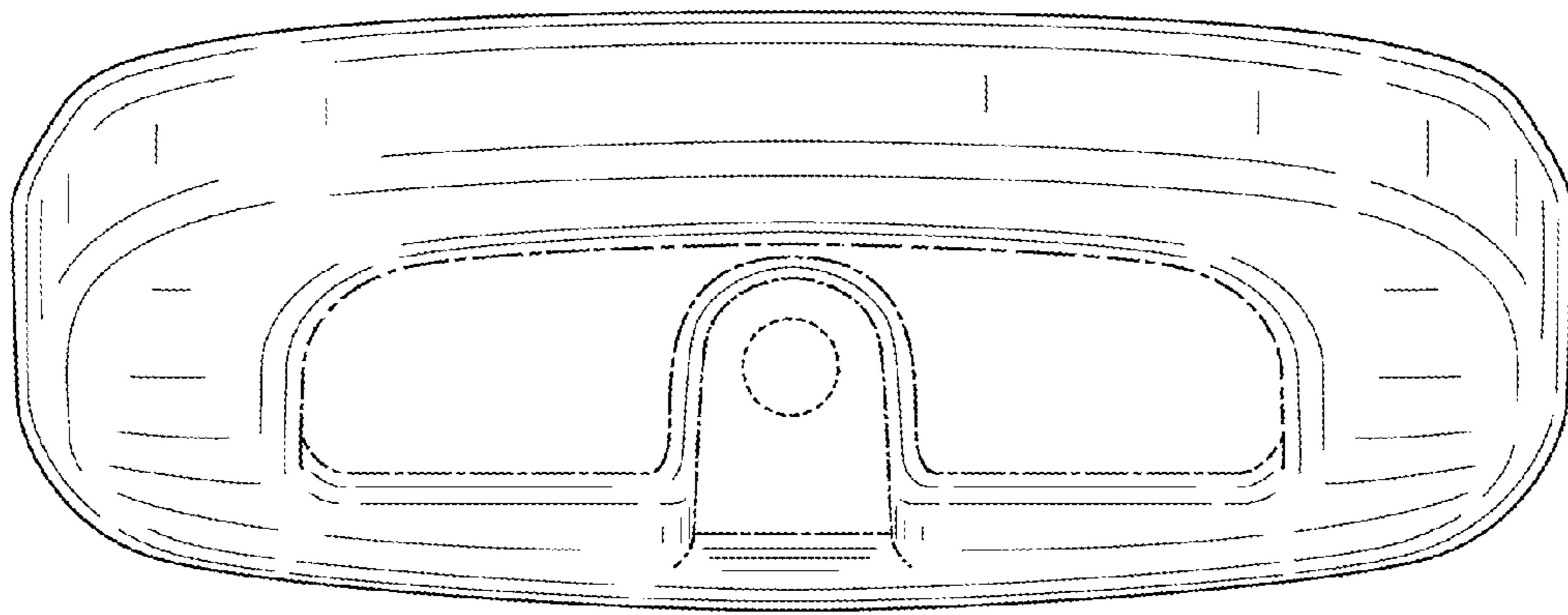


FIG. 6

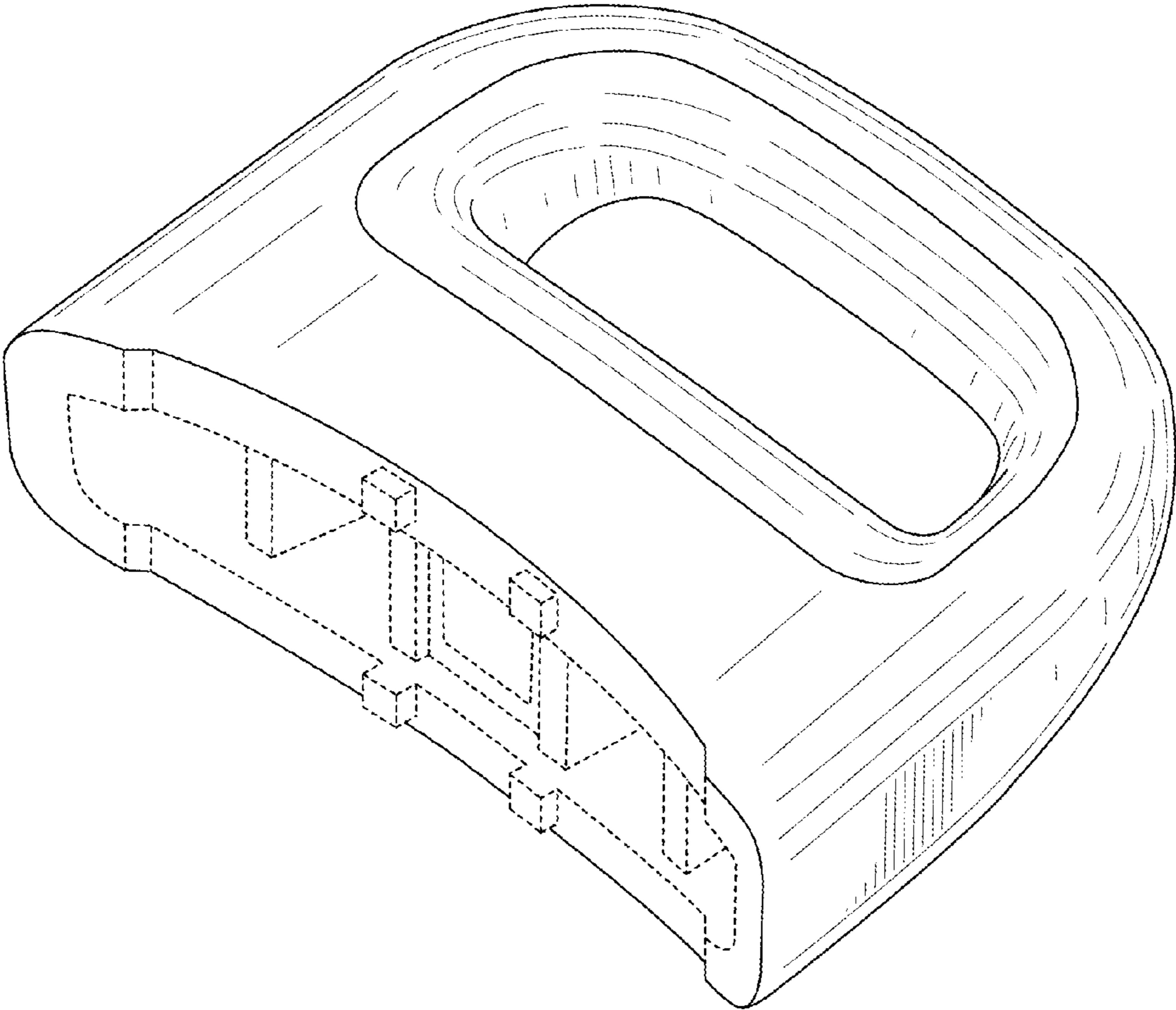


FIG. 7

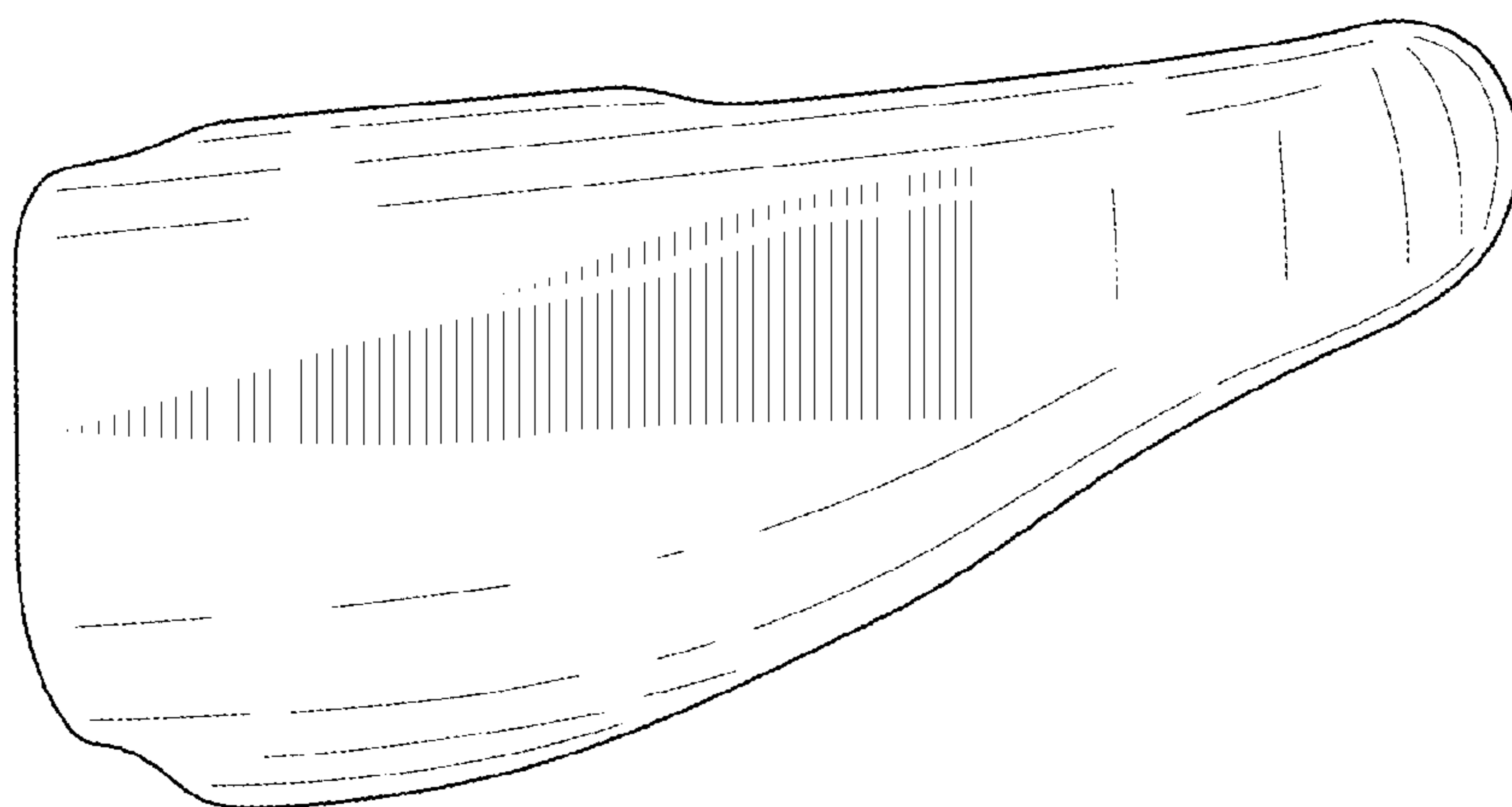


FIG. 8

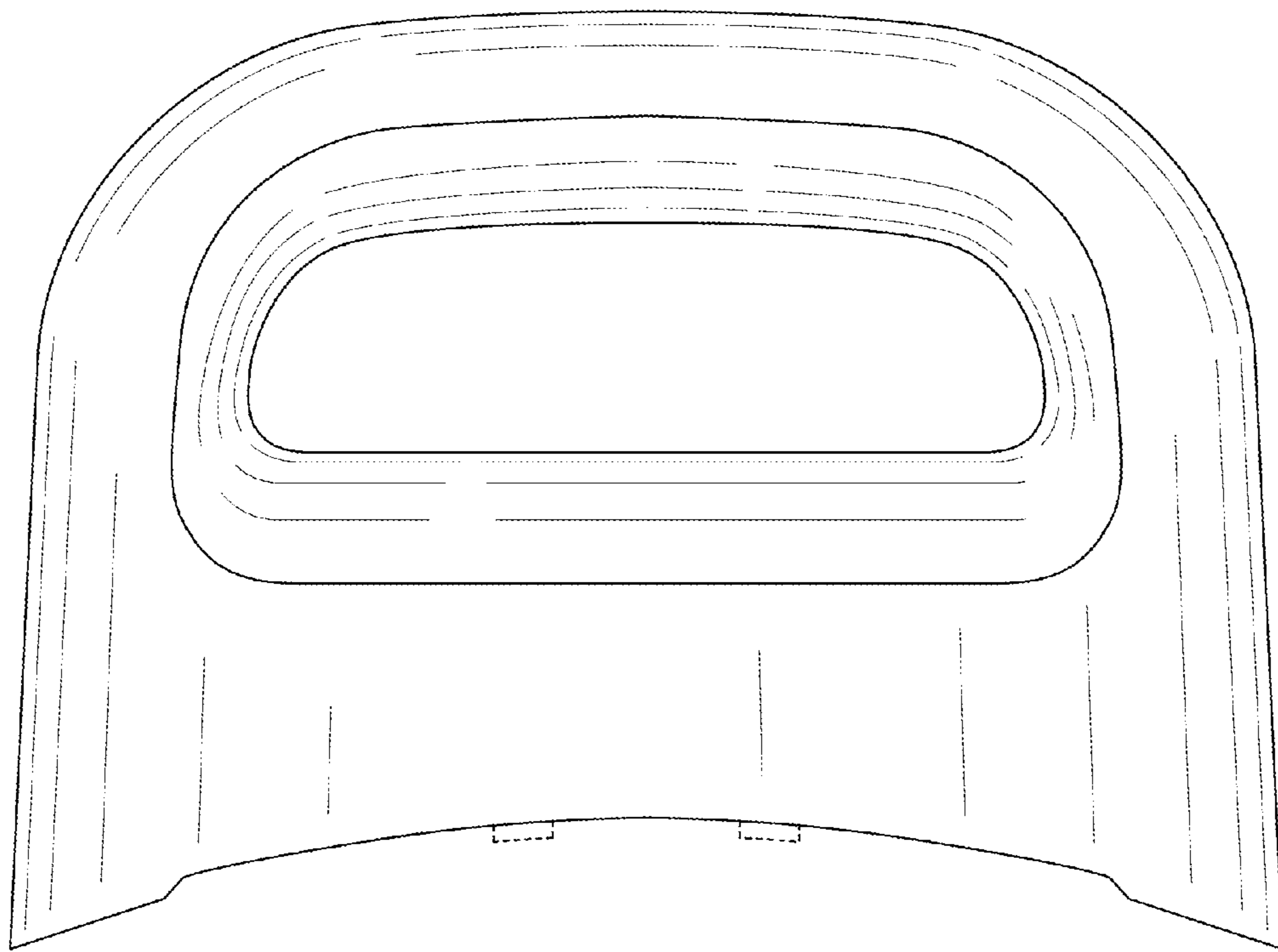


FIG. 9

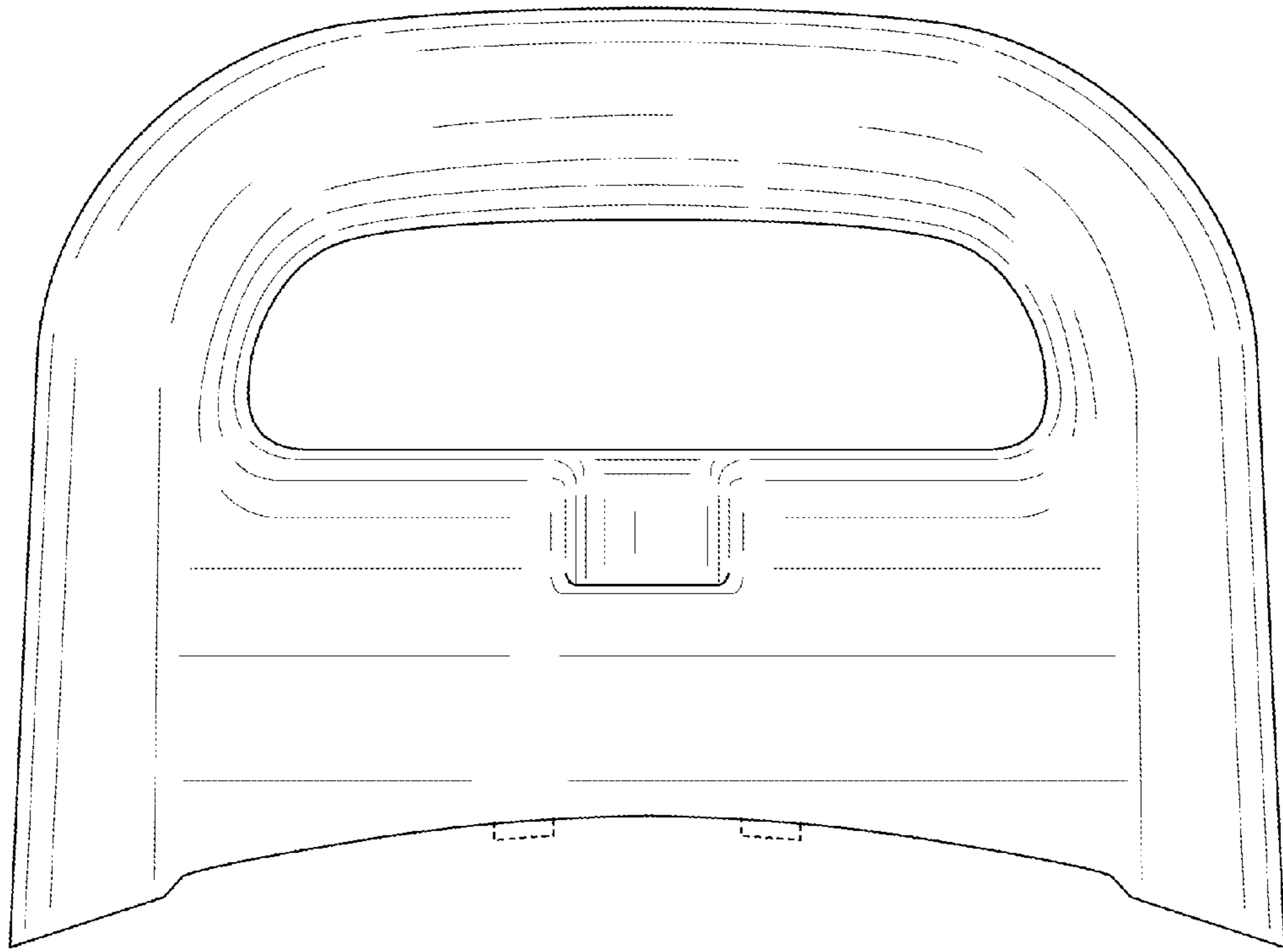


FIG. 10

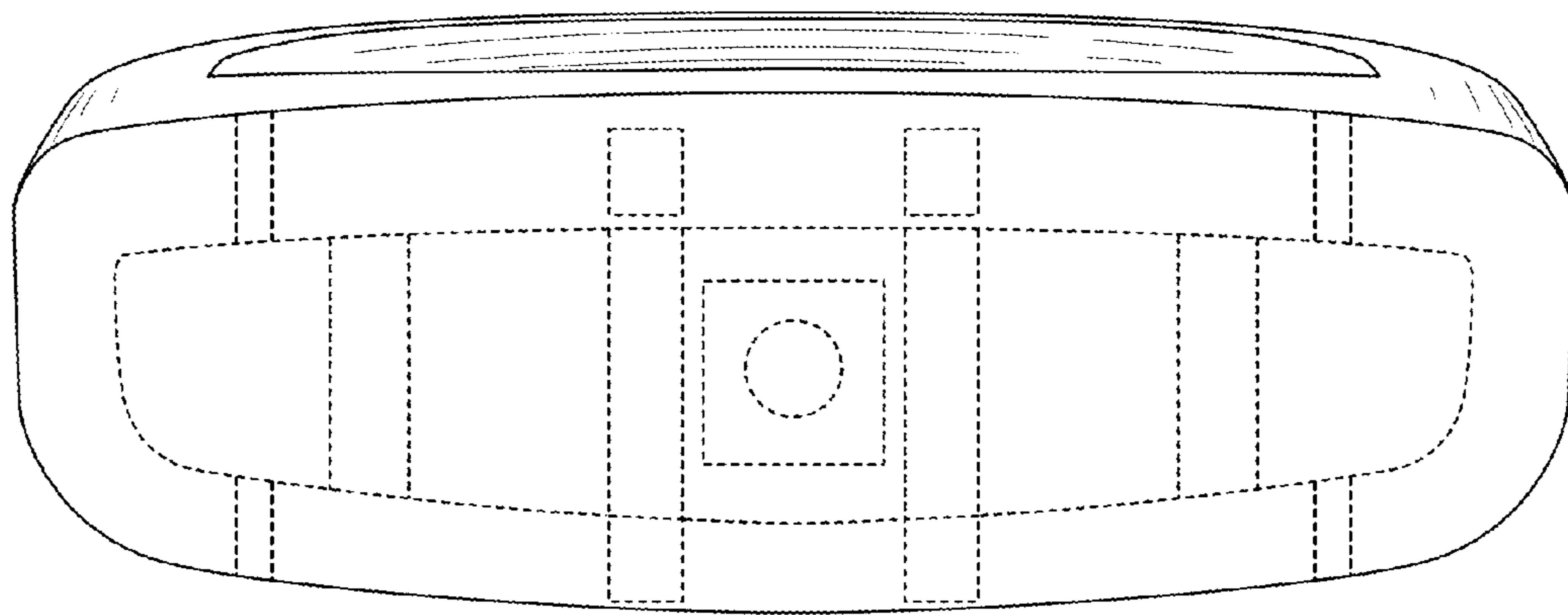


FIG. 11

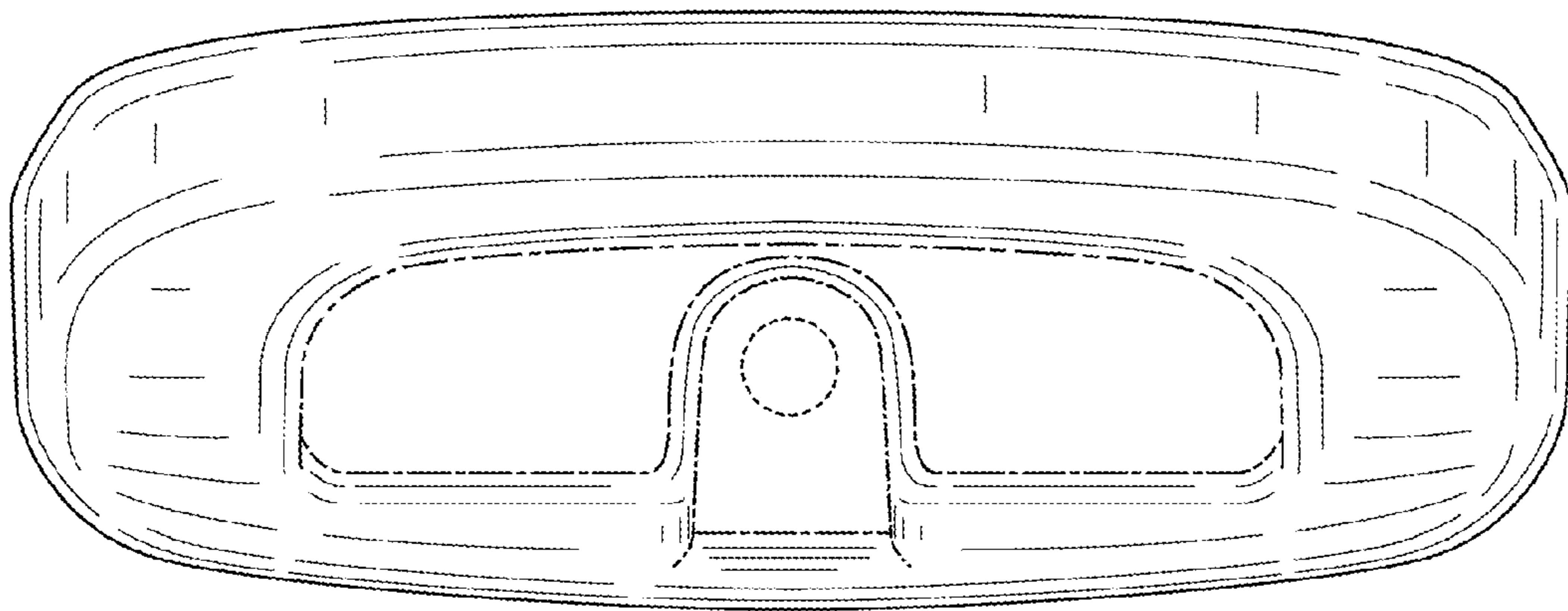


FIG. 12