



US00D696063S

(12) **United States Design Patent**
Coakley et al.

(10) **Patent No.:** **US D696,063 S**

(45) **Date of Patent:** **** Dec. 24, 2013**

(54) **BLENDER BASE**

(71) Applicant: **Euro-Pro Operating LLC**, Newton, MA (US)

(72) Inventors: **Devin Joseph Coakley**, Bellingham, MA (US); **Mark Allen Nichols**, Newton Highlands, MA (US)

(73) Assignee: **Euro-Pro Operating LLC**, Newton, MA (US)

(**) Term: **14 Years**

(21) Appl. No.: **29/447,058**

(22) Filed: **Feb. 28, 2013**

(51) **LOC (9) Cl.** **31-00**

(52) **U.S. Cl.**
USPC **D7/386; D7/376; D7/378; D7/412**

(58) **Field of Classification Search**
USPC D7/301-313, 316-326, 356-357, 368, D7/372-386, 391-398, 412-415, 503, 515, D7/665-666, 679, 691-693; 99/280, 326, 99/348, 489-492, 508-512; 241/30-37.5, 241/98, 101.01-101.2, 166-169.1, 172, 241/272, 285.1-285.3, 291, 292.1; 366/64-67, 98, 129, 142-144, 366/192-211, 241-254, 262, 279-292, 366/325.8, 325.92, 341-347; 416/75-77, 416/70 R, 163

See application file for complete search history.

(56) **References Cited**

U.S. PATENT DOCUMENTS

D181,541 S *	11/1957	Madl	D7/378
D214,227 S *	5/1969	Madl	D7/378
D349,423 S *	8/1994	Burgel	D7/378
D400,757 S *	11/1998	Hippen et al.	D7/378
6,029,568 A *	2/2000	Pascotti et al.	99/489
D444,344 S *	7/2001	Barthelemy et al.	D7/378
D466,362 S *	12/2002	Moore	D7/378
D498,642 S *	11/2004	Huang	D7/378
D654,305 S *	2/2012	Gursel et al.	D7/386
D682,606 S *	5/2013	Machovina et al.	D7/377

* cited by examiner

Primary Examiner — Ricky Pham

(74) *Attorney, Agent, or Firm* — Wolf, Greenfield & Sacks, P.C.

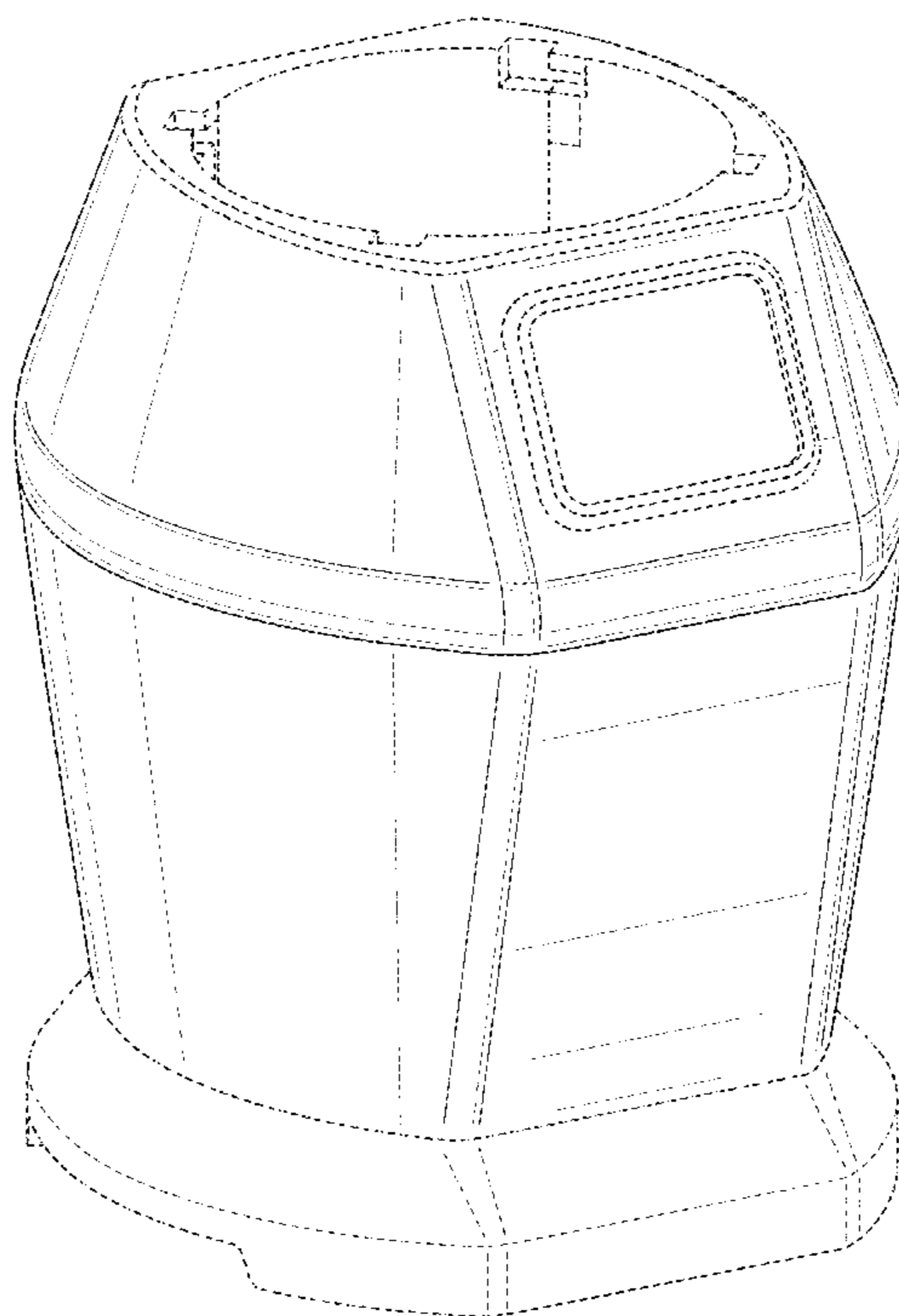
(57) **CLAIM**

The ornamental design for a blender base, as shown and described.

DESCRIPTION

FIG. 1 is a top, front, left side perspective view of a blender base showing our new design;
FIG. 2 is a front elevational view thereof;
FIG. 3 is a rear elevational view thereof;
FIG. 4 is a left side elevational view thereof;
FIG. 5 is a right side elevational view thereof;
FIG. 6 is a top plan view thereof; and,
FIG. 7 is a bottom plan view thereof.
The broken lines of FIGS. 1-7 illustrate portions of the blender base that form no part of the claimed design.

1 Claim, 7 Drawing Sheets



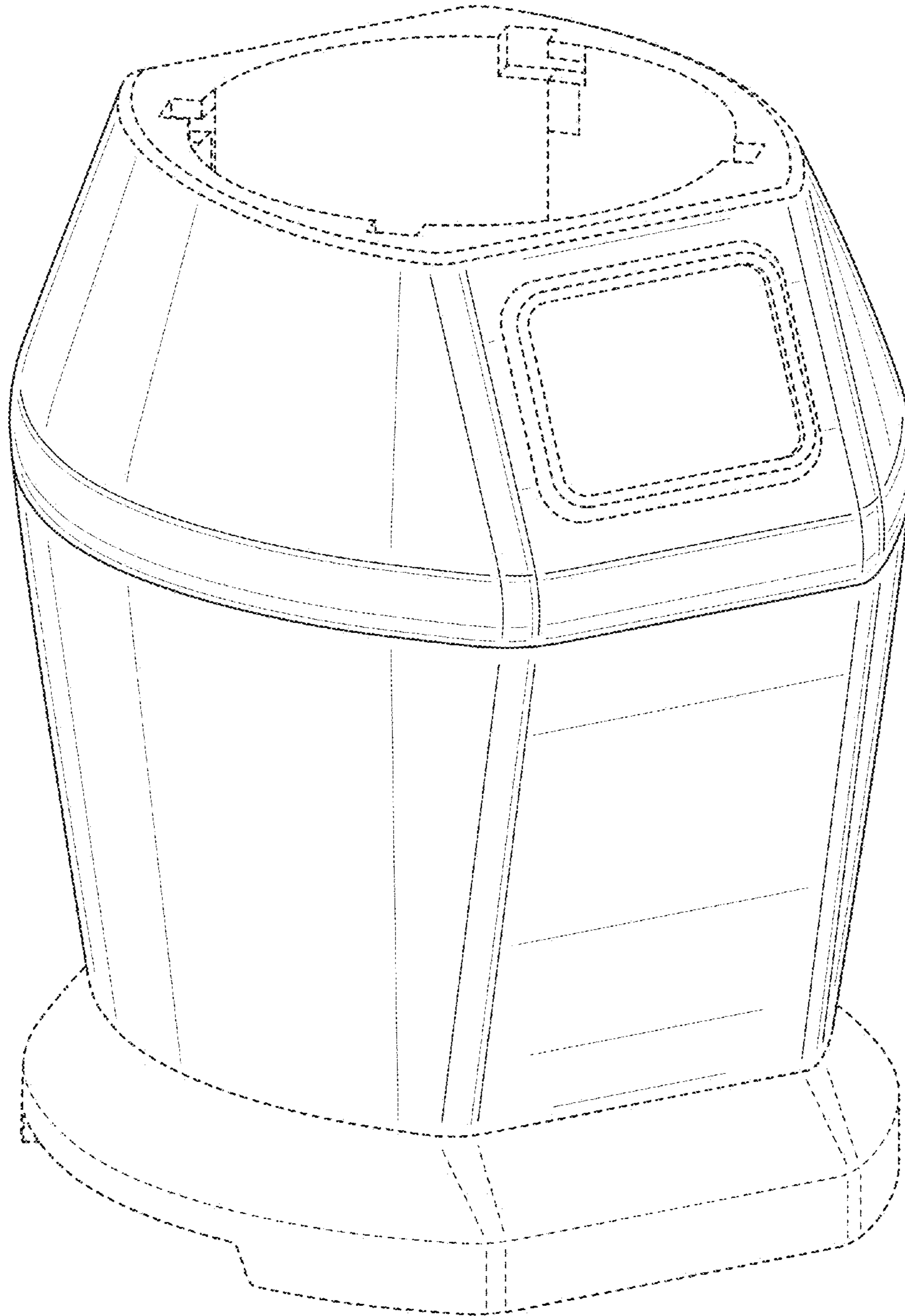


FIG. 1

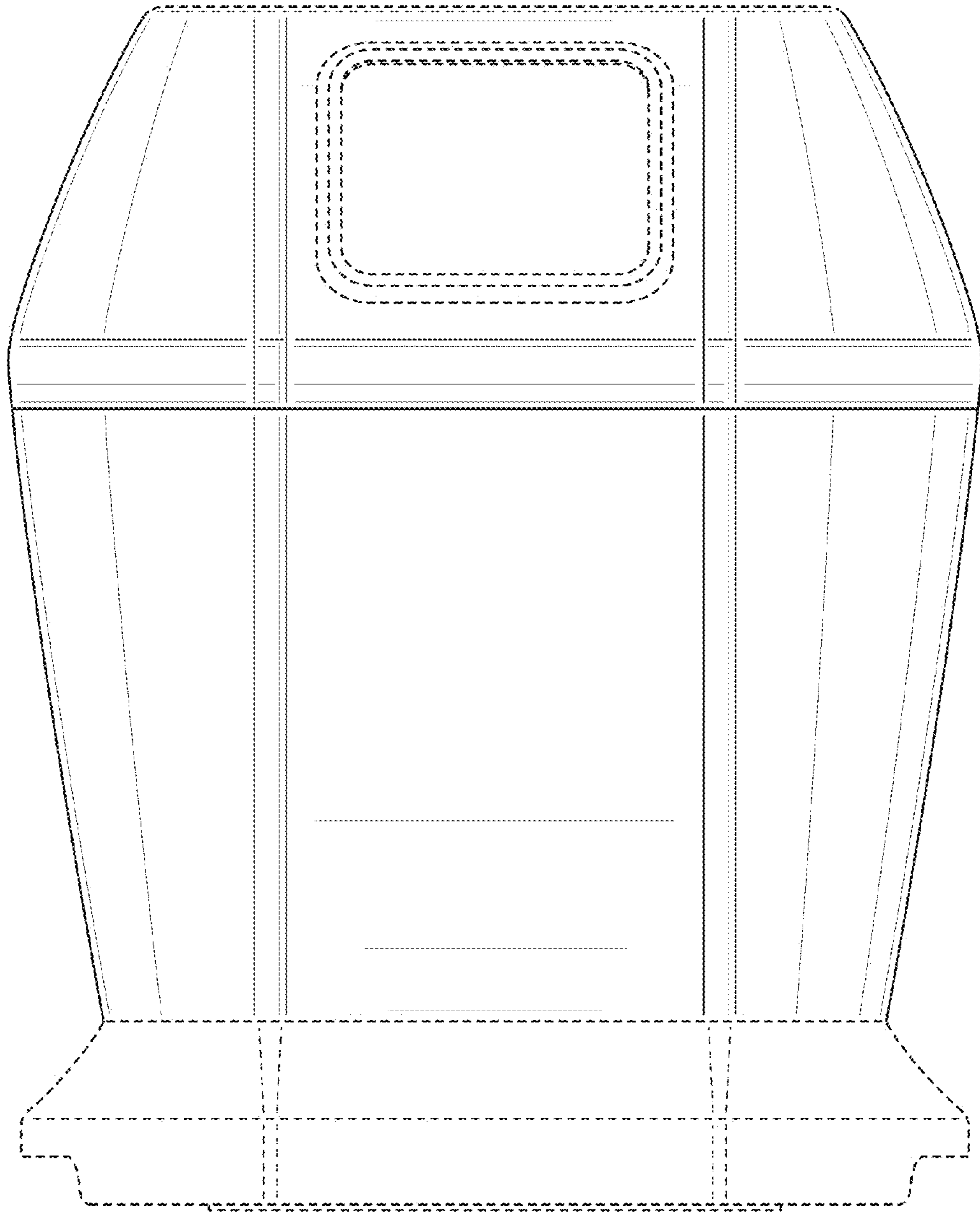


FIG. 2

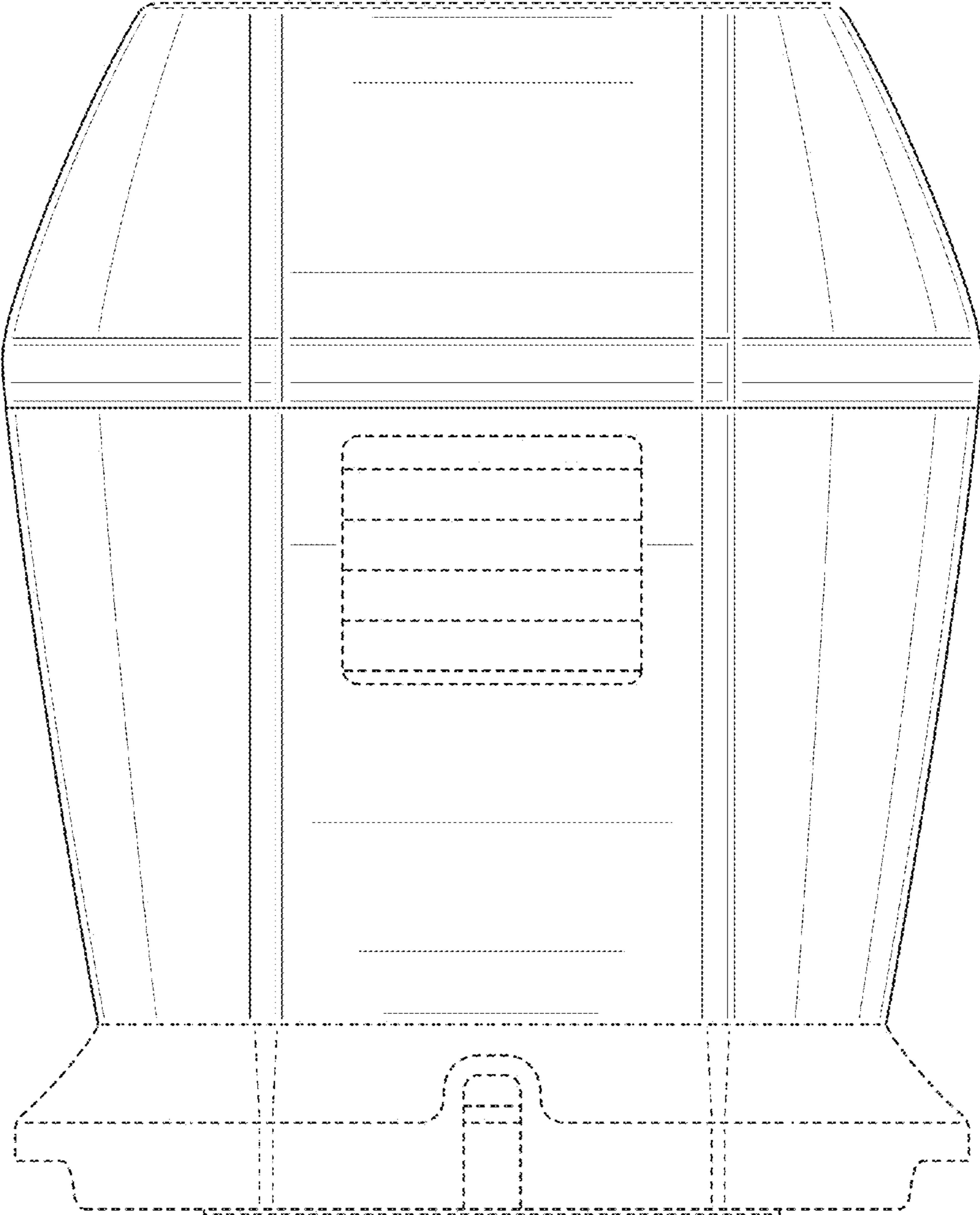


FIG. 3

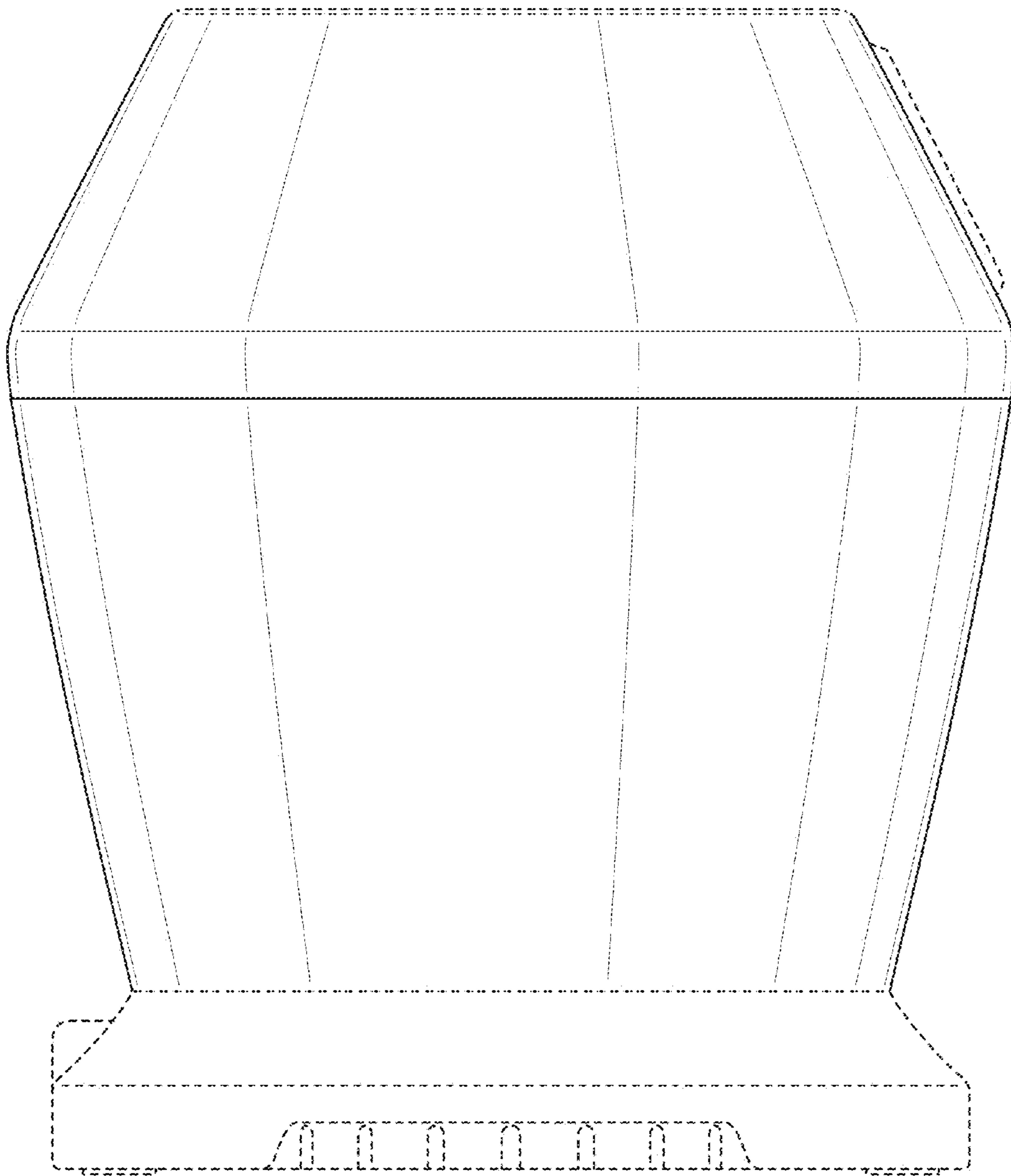


FIG. 4

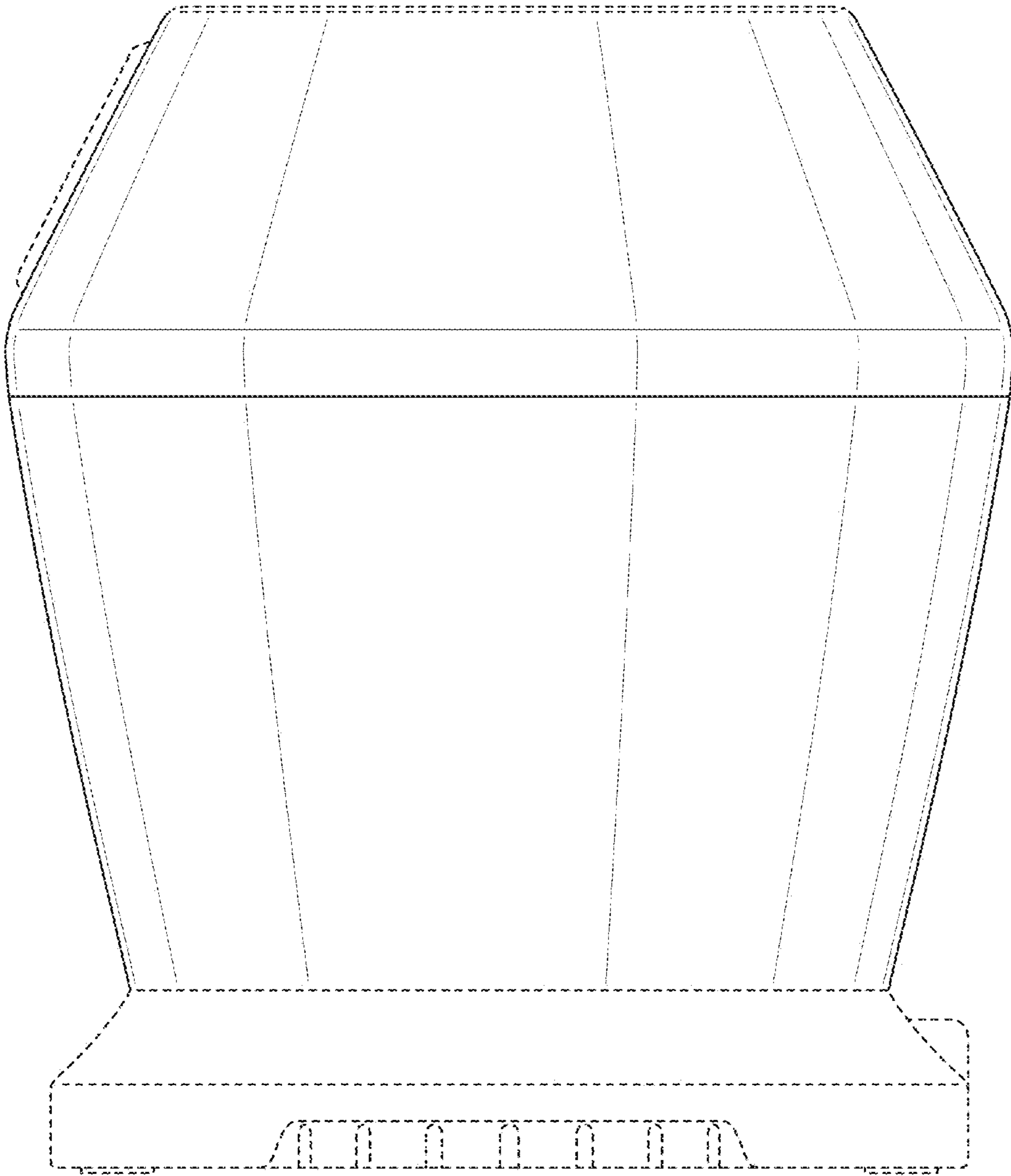


FIG. 5

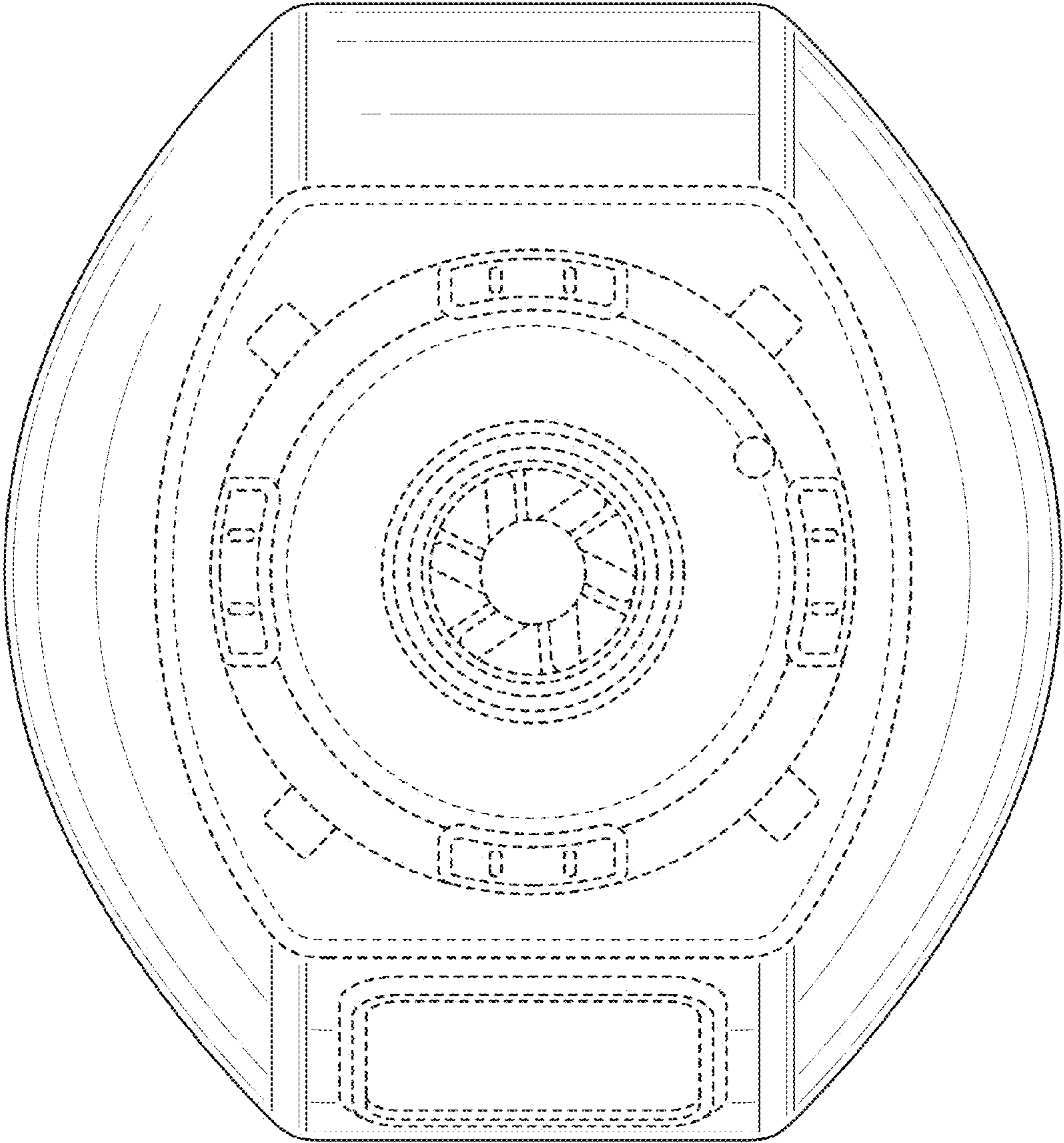


FIG. 6

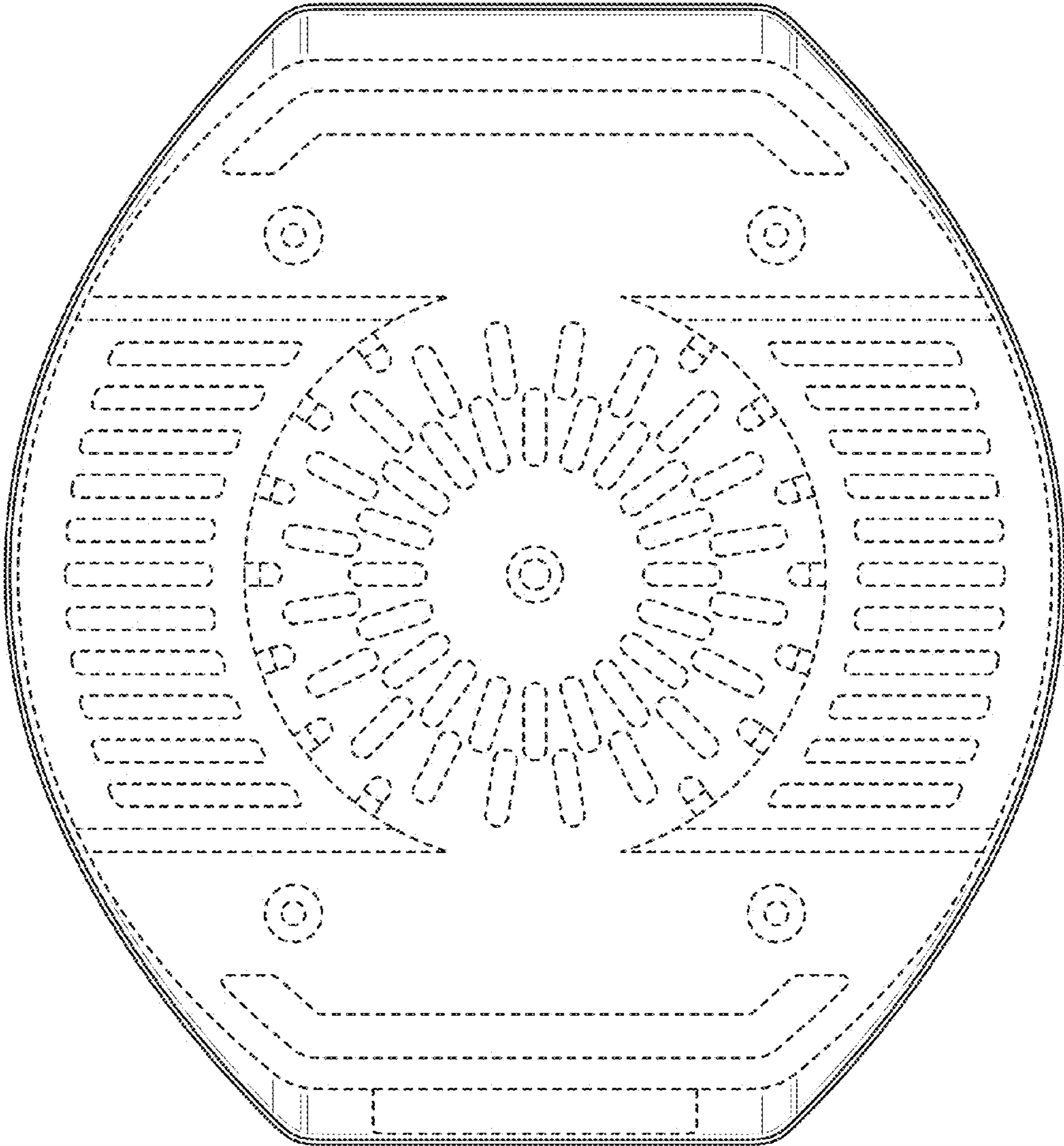


FIG. 7