



US00D696062S

(12) **United States Design Patent**
Picozza et al.

(10) **Patent No.:** **US D696,062 S**
(45) **Date of Patent:** **** Dec. 24, 2013**

- (54) **MILKSHAKE MAKER**
- (71) Applicant: **Sunbeam Products, Inc.**, Boca Raton, FL (US)
- (72) Inventors: **Augusto Picozza**, Boca Raton, FL (US); **Joseph Palermo**, Boynton Beach, FL (US); **Michael Greene**, Boca Raton, FL (US); **Scott Henderson**, Brooklyn, NY (US)
- (73) Assignee: **Sunbeam Products, Inc.**, Boca Raton, FL (US)
- (**) Term: **14 Years**
- (21) Appl. No.: **29/455,029**
- (22) Filed: **May 16, 2013**
- (51) **LOC (9) Cl.** **31-00**
- (52) **U.S. Cl.**
USPC **D7/379; D7/376; D7/377; D7/378**
- (58) **Field of Classification Search**
USPC D7/301-313, 316-326, 354-357, 368, D7/372-386, 391-398, 402, 412-415, 503, D7/515, 543, 584-587, 607, 665-666, 679, D7/691-693; 99/280, 326, 348, 492, 99/508-512; 165/68; 200/550; 241/30-37.5, 82.1, 92, 98, 241/101.01-101.2, 166-169.1, 172, 272, 241/282.2, 285.1-285.3, 291, 292.1; 248/311.2; 261/87; 310/68 B; 366/64-67, 98, 129, 142-144, 169.1, 366/192-211, 241-254, 262, 279-292, 314, 366/325.8, 325.92, 341-347; 416/75-77, 416/70 R, 163; 426/565
See application file for complete search history.

D118,225	S	*	12/1939	Barnes et al.	D7/379
2,288,063	A	*	6/1942	Ashlock, Jr.	261/87
2,319,429	A	*	5/1943	Nelson et al.	165/68
D156,342	S	*	12/1949	Iannelli	D7/379
2,498,570	A	*	2/1950	Myers	366/206
D158,947	S	*	6/1950	Ernst	D7/379
D163,376	S	*	5/1951	Ernst	D7/379
2,564,887	A	*	8/1951	Ernst	366/206
2,585,822	A	*	2/1952	Myers	366/206
D169,829	S	*	6/1953	Seyfried et al.	D7/379
2,654,847	A	*	10/1953	Ernst	310/68 B
2,696,370	A	*	12/1954	Gafford	366/206
3,292,912	A	*	12/1966	Stubler	366/197
3,311,353	A	*	3/1967	Rogenski	366/197
D365,496	S	*	12/1995	McLinden et al.	D7/379
5,730,525	A	*	3/1998	Browne	366/197
5,912,039	A	*	6/1999	Browne	426/565
D413,226	S	*	8/1999	Barker	D7/379
D446,682	S	*	8/2001	Au	D7/379
D532,252	S	*	11/2006	Fouquet	D7/379
D535,851	S	*	1/2007	Vavasseur	D7/379
D539,602	S	*	4/2007	Lin	D7/379
D685,224	S	*	7/2013	Wu	D7/379

* cited by examiner

Primary Examiner — Ricky Pham
(74) *Attorney, Agent, or Firm* — Michael J. Corrigan

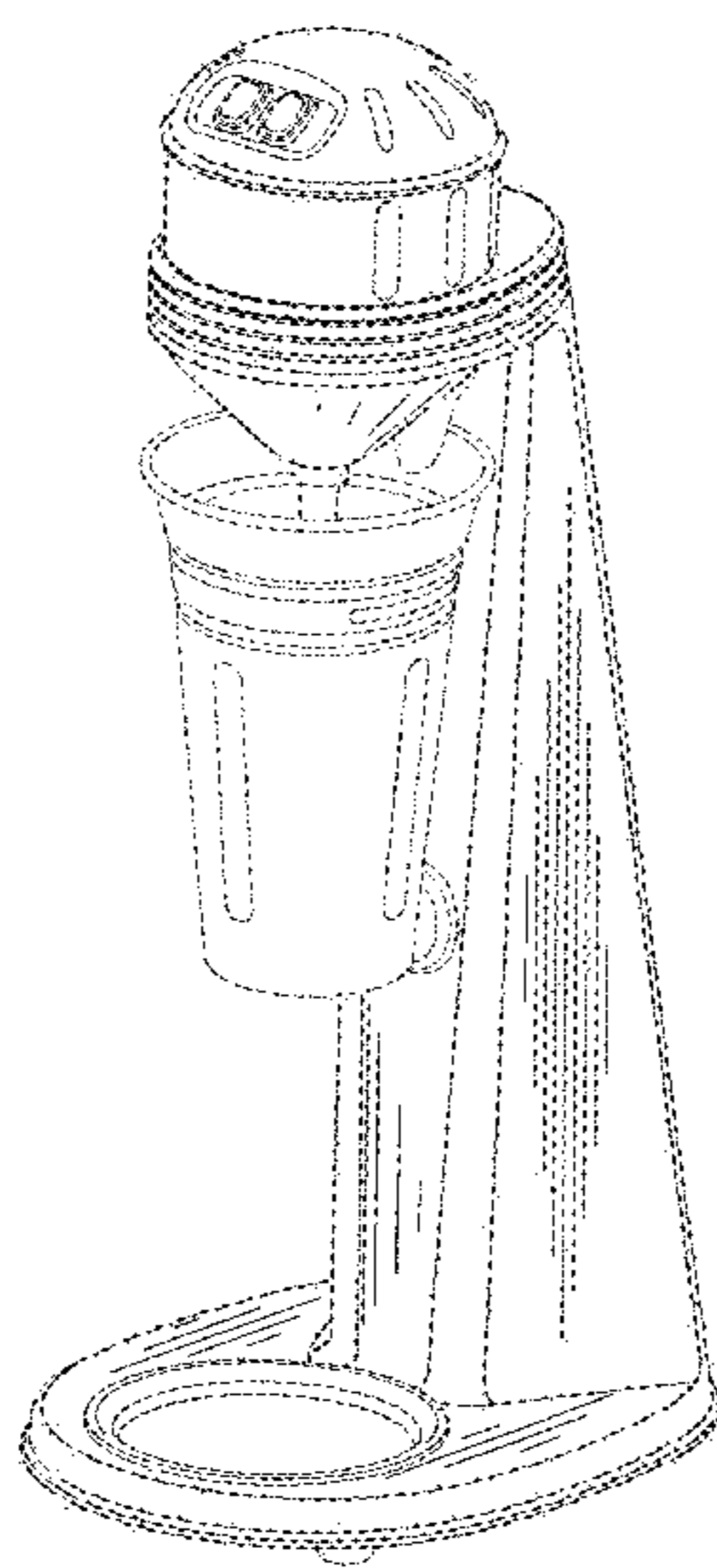
(57) **CLAIM**
The ornamental design for the milkshake maker, as shown and described.

DESCRIPTION

FIG. 1 is a front perspective view of the milkshake maker; FIG. 2 is a front view thereof; FIG. 3 is a right side view thereof; FIG. 4 is a rear view thereof; FIG. 5 is a left side view thereof; FIG. 6 is a top view thereof; and, FIG. 7 is a bottom view thereof. The portion shown in dashed lines is shown for illustrative purposes only and forms no part of the claimed design.

1 Claim, 7 Drawing Sheets

- (56) **References Cited**
U.S. PATENT DOCUMENTS
1,764,337 A * 6/1930 Nielsen 200/550
1,912,350 A * 5/1933 Gilbert 248/311.2
2,134,261 A * 10/1938 Oswell 366/197



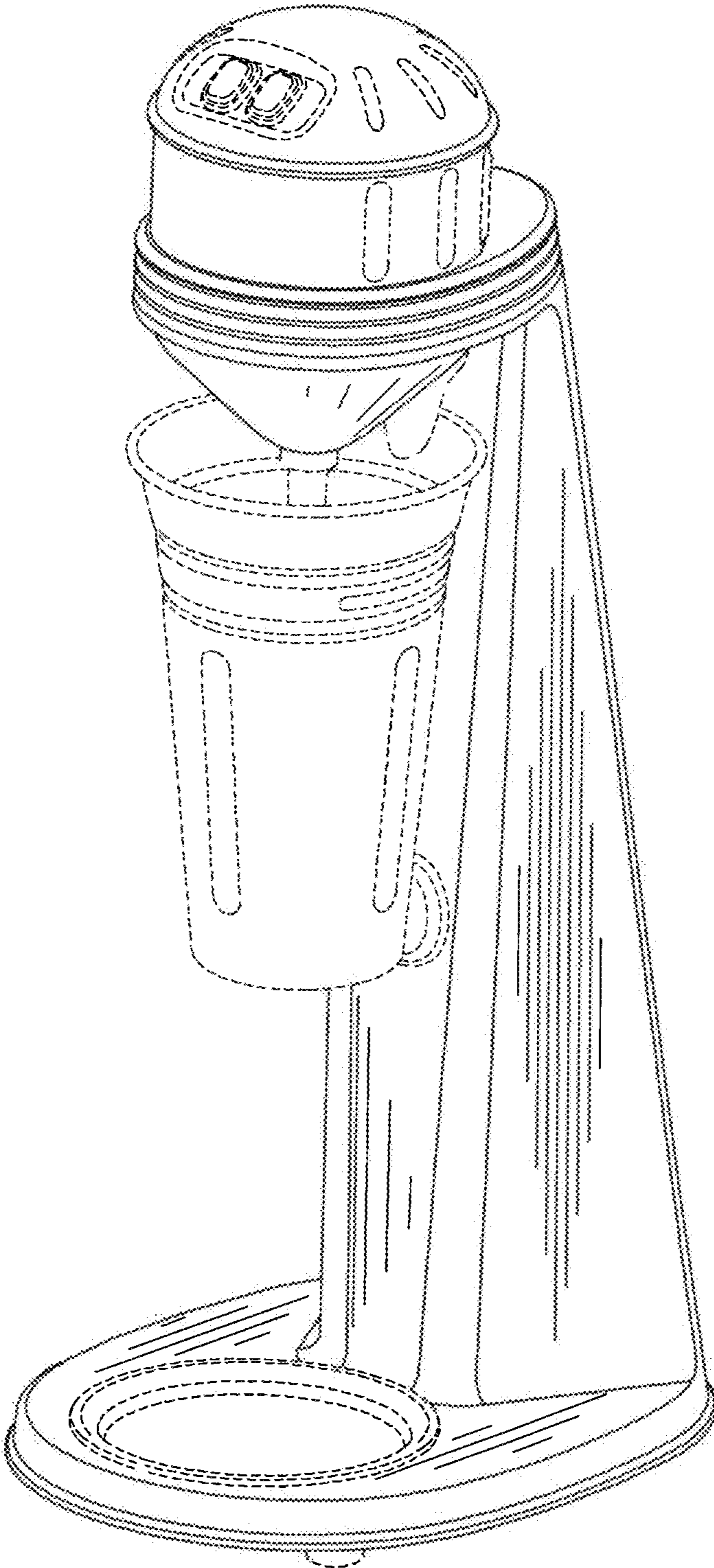


FIG 1

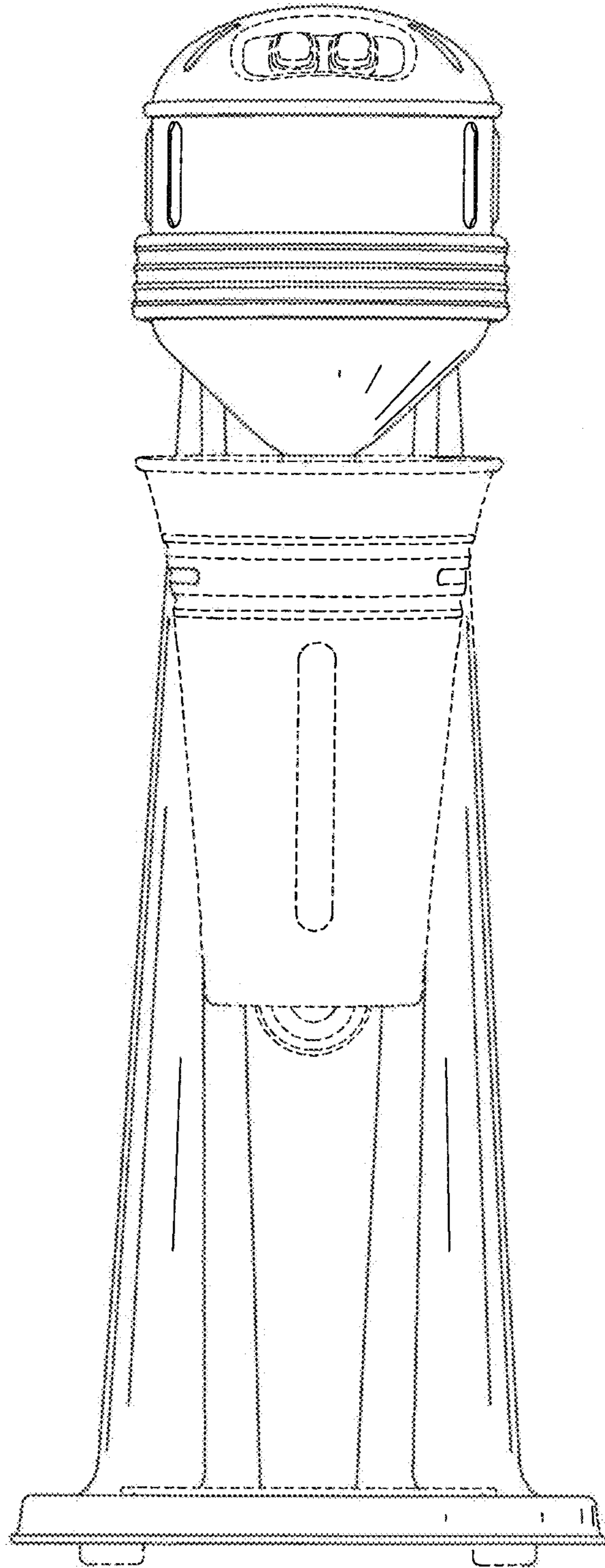


FIG 2

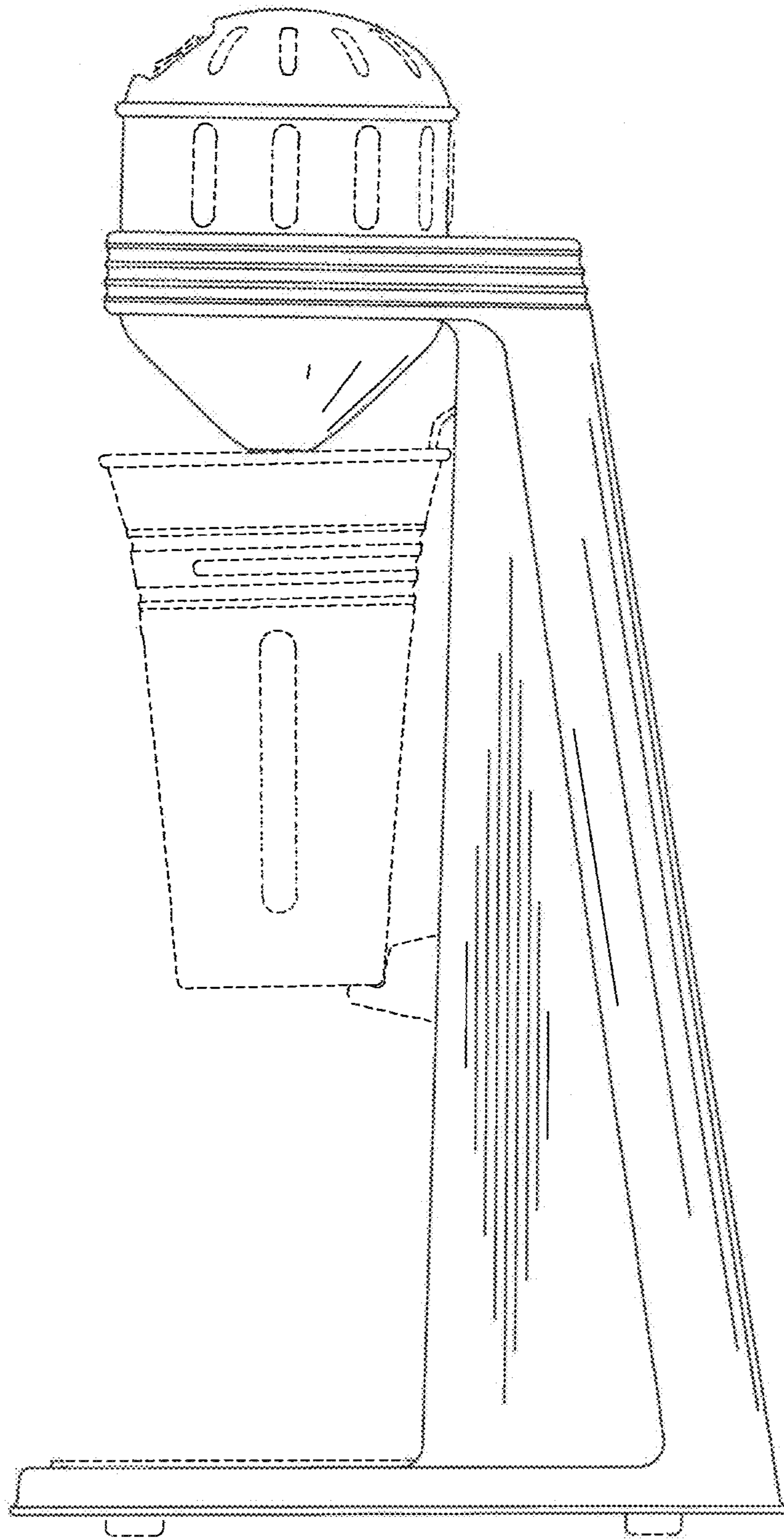


FIG 3

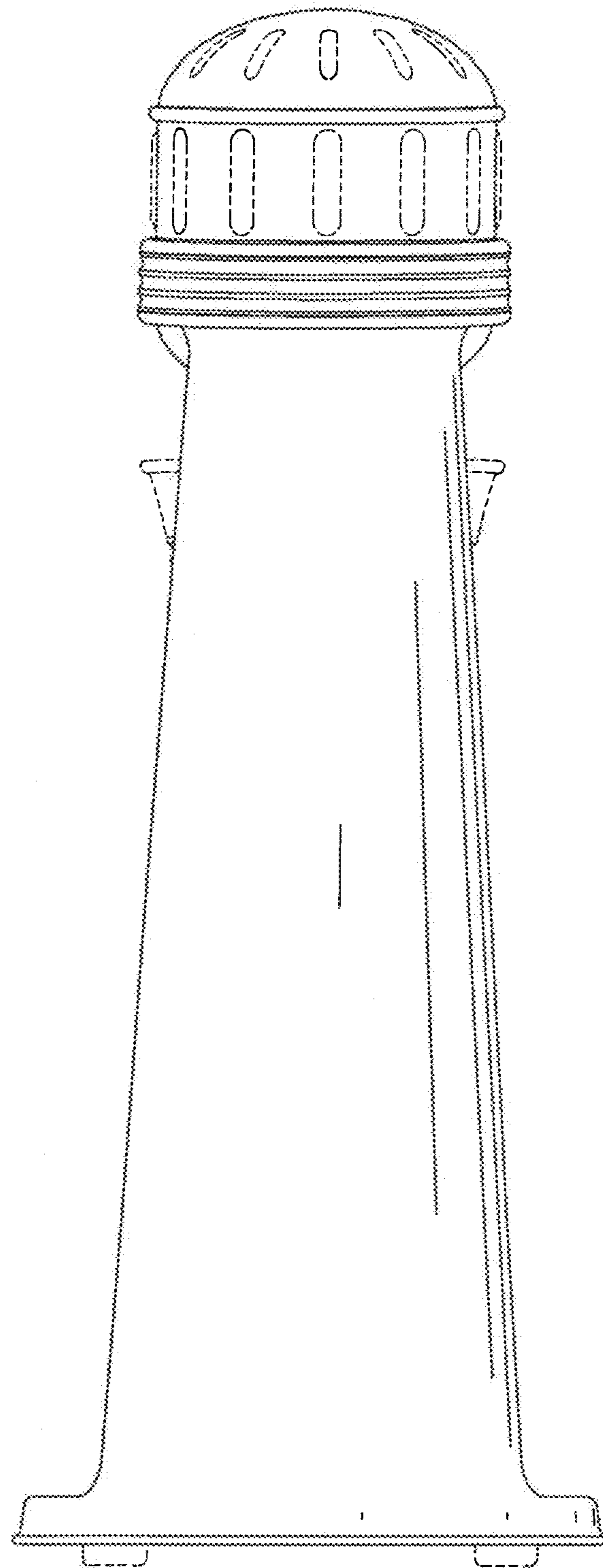


FIG 4

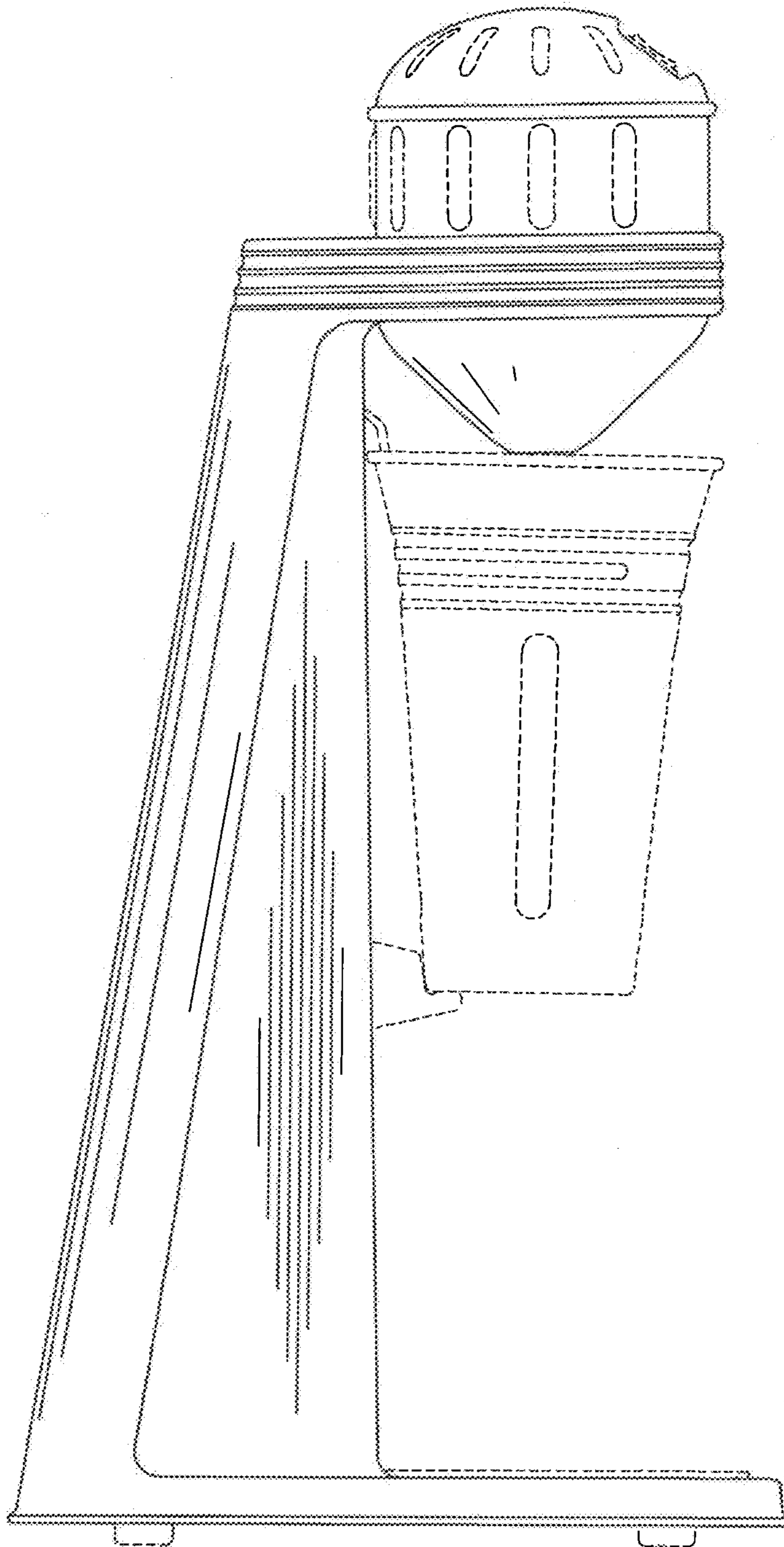


FIG 5

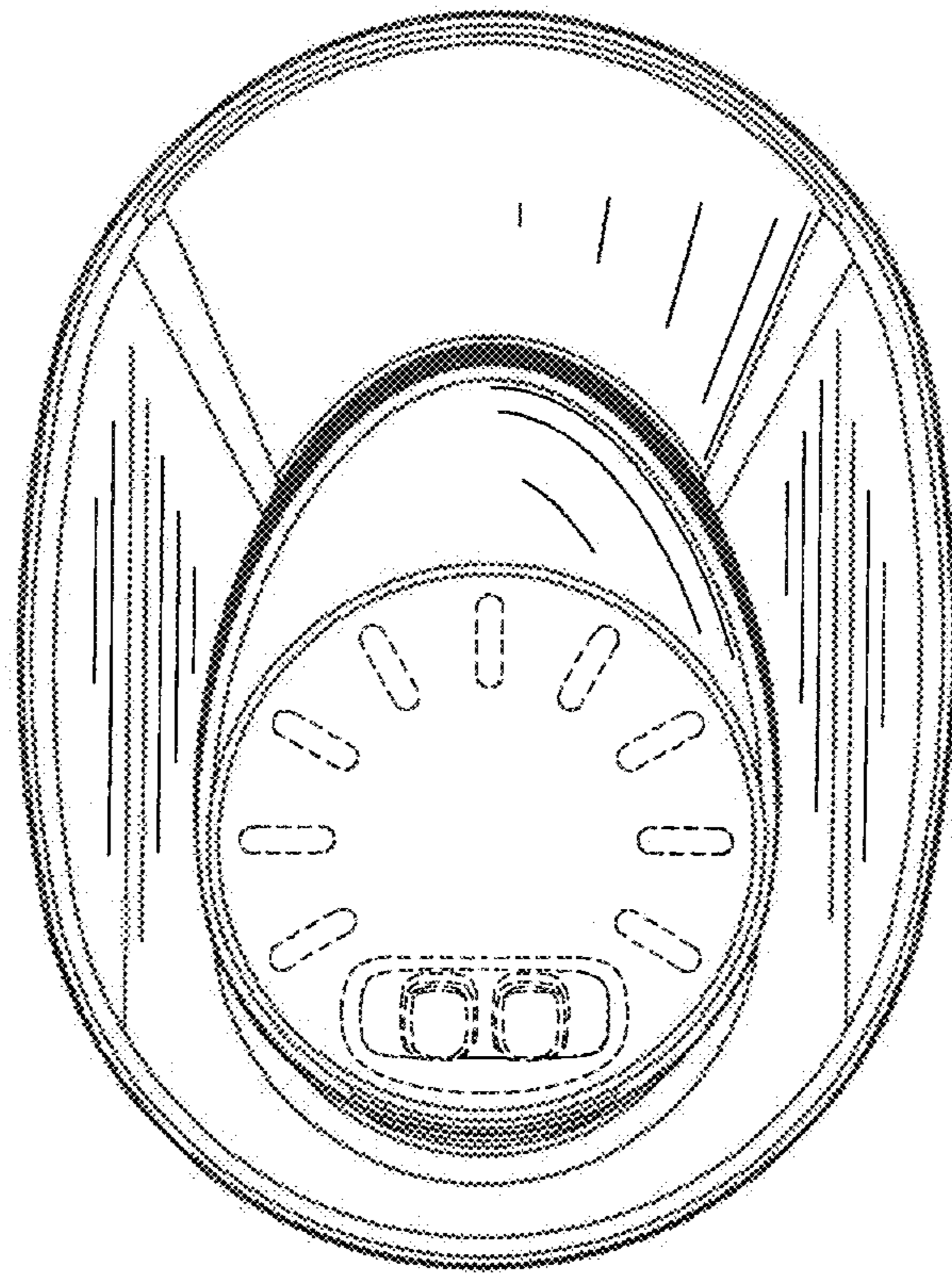


FIG 6

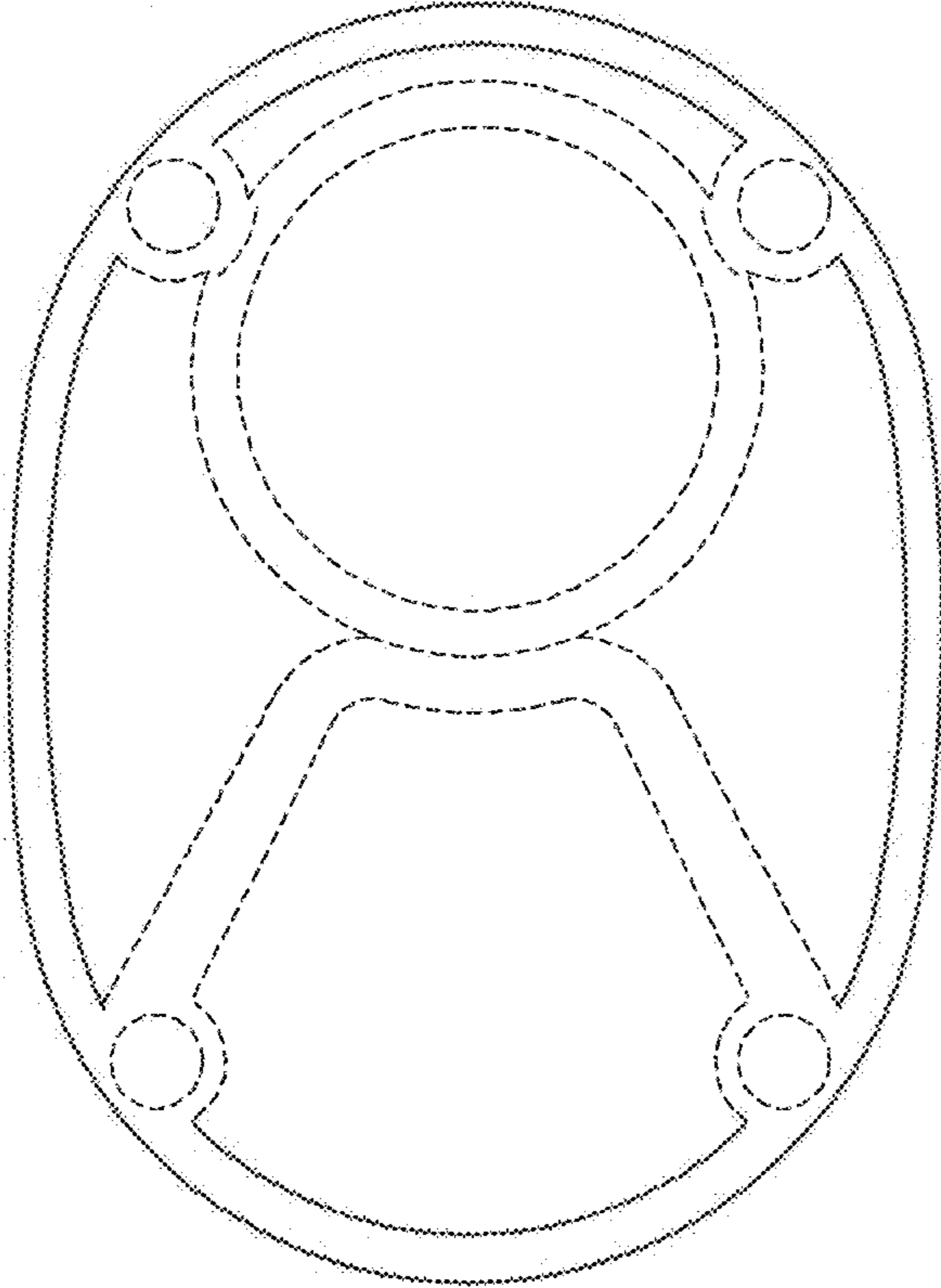


FIG 7