



US00D696061S

(12) **United States Design Patent**
Caswell et al.

(10) **Patent No.:** **US D696,061 S**
(45) **Date of Patent:** **** Dec. 24, 2013**

(54) **COFFEE BEAN ROASTER**

(71) Applicant: **Roasting Plant, Inc.**, New York, NY
(US)

(72) Inventors: **Michael R. Caswell**, New York, NY
(US); **Stephen A. Magliocco**, Fort
Lauderdale, FL (US); **David Phillips**,
Palm Beach Gardens, FL (US)

(73) Assignee: **Roasting Plant, Inc.**, New York, NY
(US)

(**) Term: **14 Years**

(21) Appl. No.: **29/432,703**

(22) Filed: **Sep. 19, 2012**

Related U.S. Application Data

(62) Division of application No. 29/388,969, filed on Apr.
5, 2011, now Pat. No. Des. 670,133.

(51) **LOC (9) Cl.** **31-00**

(52) **U.S. Cl.**
USPC **D7/373; D7/372**

(58) **Field of Classification Search**
USPC D7/301-313, 316-319, 356-357, 368,
D7/372-386, 391-398, 412-415, 503, 515,
D7/665, 679, 691-693; D27/124; 99/326,
99/348, 492-495, 508-512; 241/30-37.5,
241/91, 101.01-101.2, 166-169.1, 172,
241/272, 285.1-285.3, 291, 292.1;
366/64-67, 98, 129, 142-144,
366/192-211, 241-254, 262, 274-292,
366/325.8, 325.92, 341-347; 416/3, 75-77,
416/70 R, 163; 435/302.1

See application file for complete search history.

(56) **References Cited**

U.S. PATENT DOCUMENTS

2,549,121	A	*	4/1951	Osterheld	366/274
2,859,020	A	*	11/1958	Eddy et al.	366/274
2,951,689	A	*	9/1960	Asp et al.	416/3
2,958,517	A	*	11/1960	De Long et al.	435/302.1
D228,485	S	*	10/1973	Cabell	D7/378
4,162,855	A	*	7/1979	Bender	366/274
D268,289	S	*	3/1983	Diebold	D27/124
D281,945	S	*	12/1985	Boyce	D7/378
D424,865	S	*	5/2000	Crescenzi et al.	D7/378
D670,133	S	*	11/2012	Caswell et al.	D7/373

* cited by examiner

Primary Examiner — Ricky Pham

(74) *Attorney, Agent, or Firm* — McCarter & English, LLP;
David R. Burns

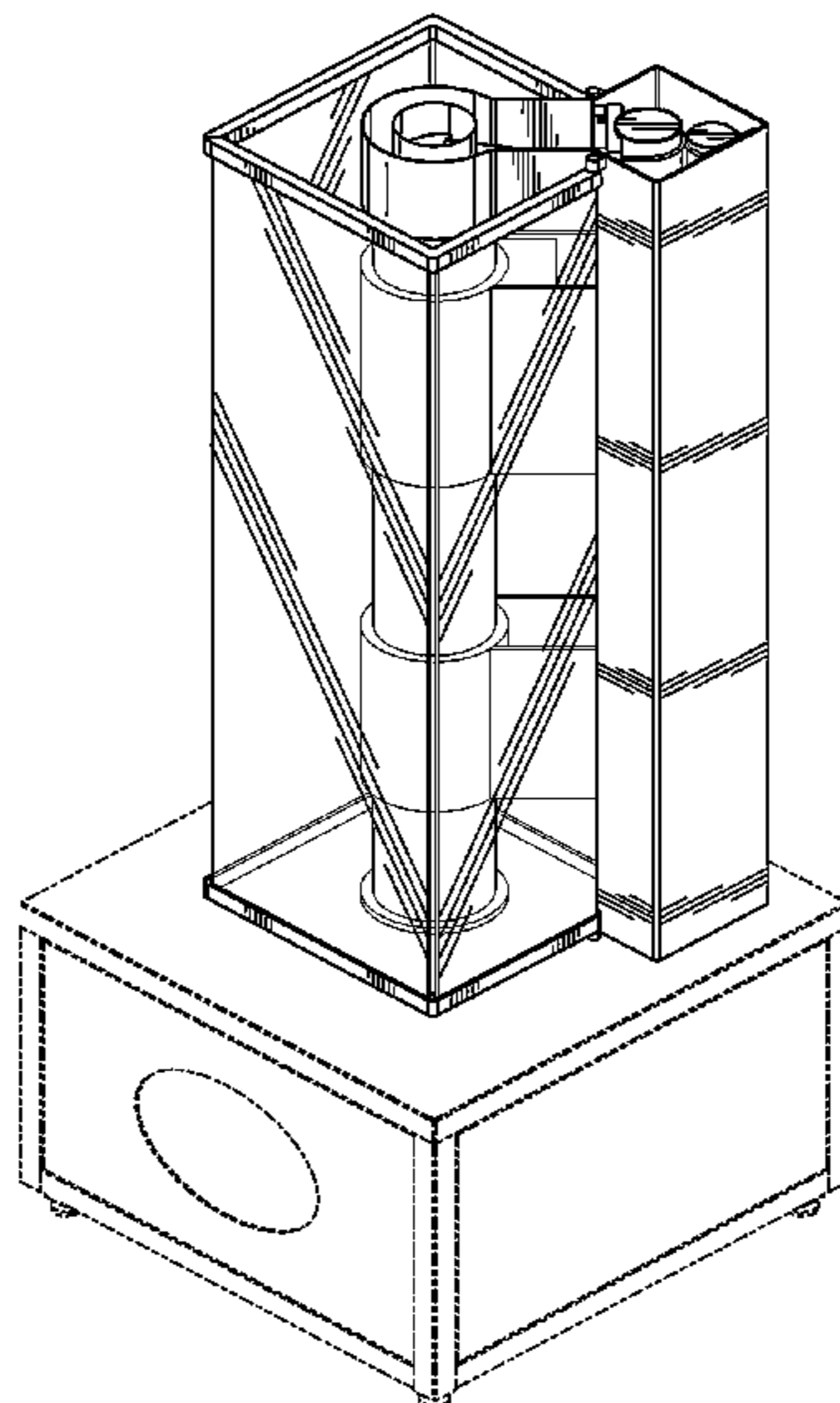
(57) **CLAIM**

The ornamental design for a coffee bean roaster, as shown and
described.

DESCRIPTION

FIG. 1 is a front perspective view of an embodiment of a
coffee bean roaster showing the design;
FIG. 2 is a front elevational view of an embodiment of a coffee
bean roaster showing the design;
FIG. 3 is a rear elevational view of an embodiment of a coffee
bean roaster showing the design;
FIG. 4 is a left side elevational view of an embodiment of a
coffee bean roaster showing the design;
FIG. 5 is a right side elevational view of an embodiment of a
coffee bean roaster showing the design;
FIG. 6 is a top plan view of an embodiment of a coffee bean
roaster showing the design; and,
FIG. 7 is a bottom plan view of an embodiment of a coffee
bean roaster showing the design.
The broken line showing the coffee bean roaster is for the
purpose of illustrating environmental structure and forms no
part of the claimed design.

1 Claim, 6 Drawing Sheets



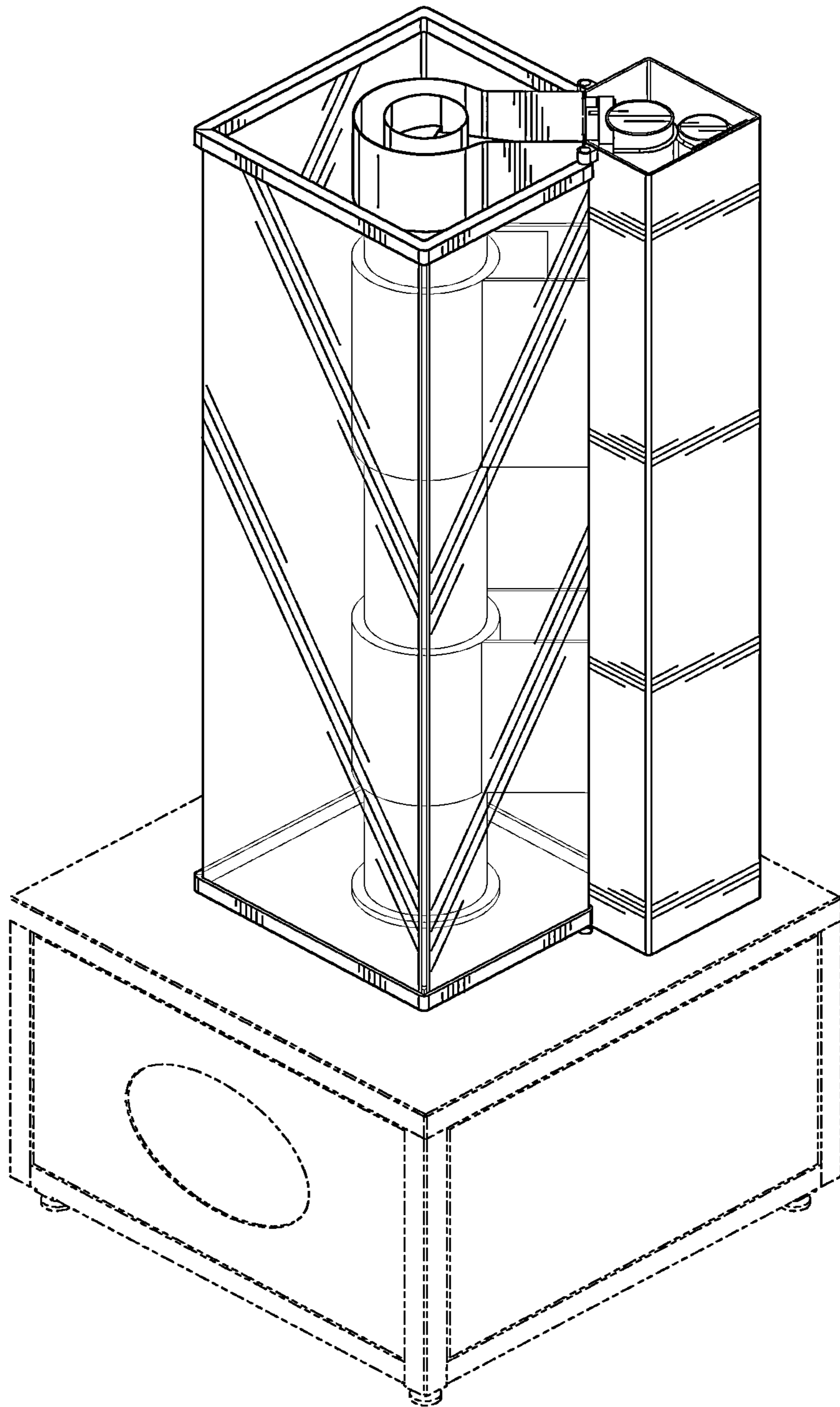


FIG. 1

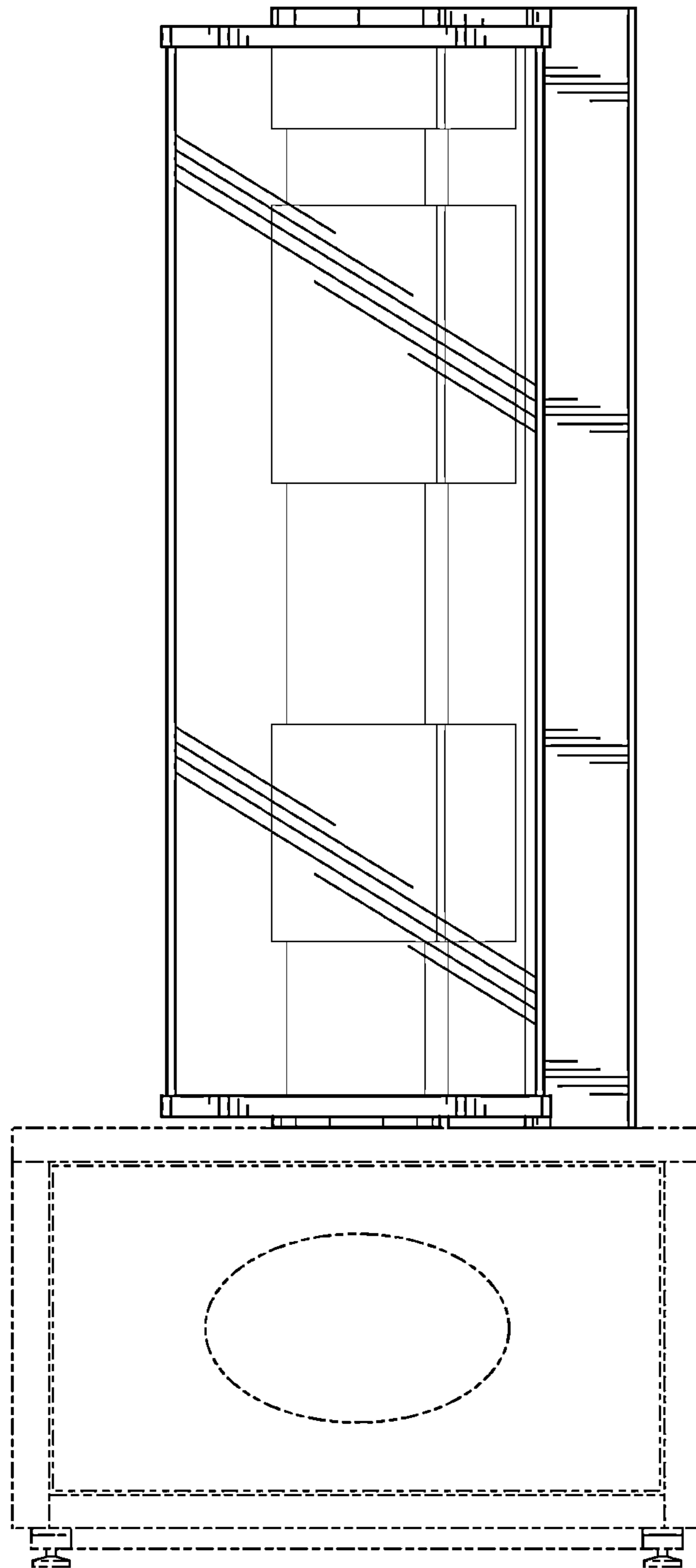


FIG. 2

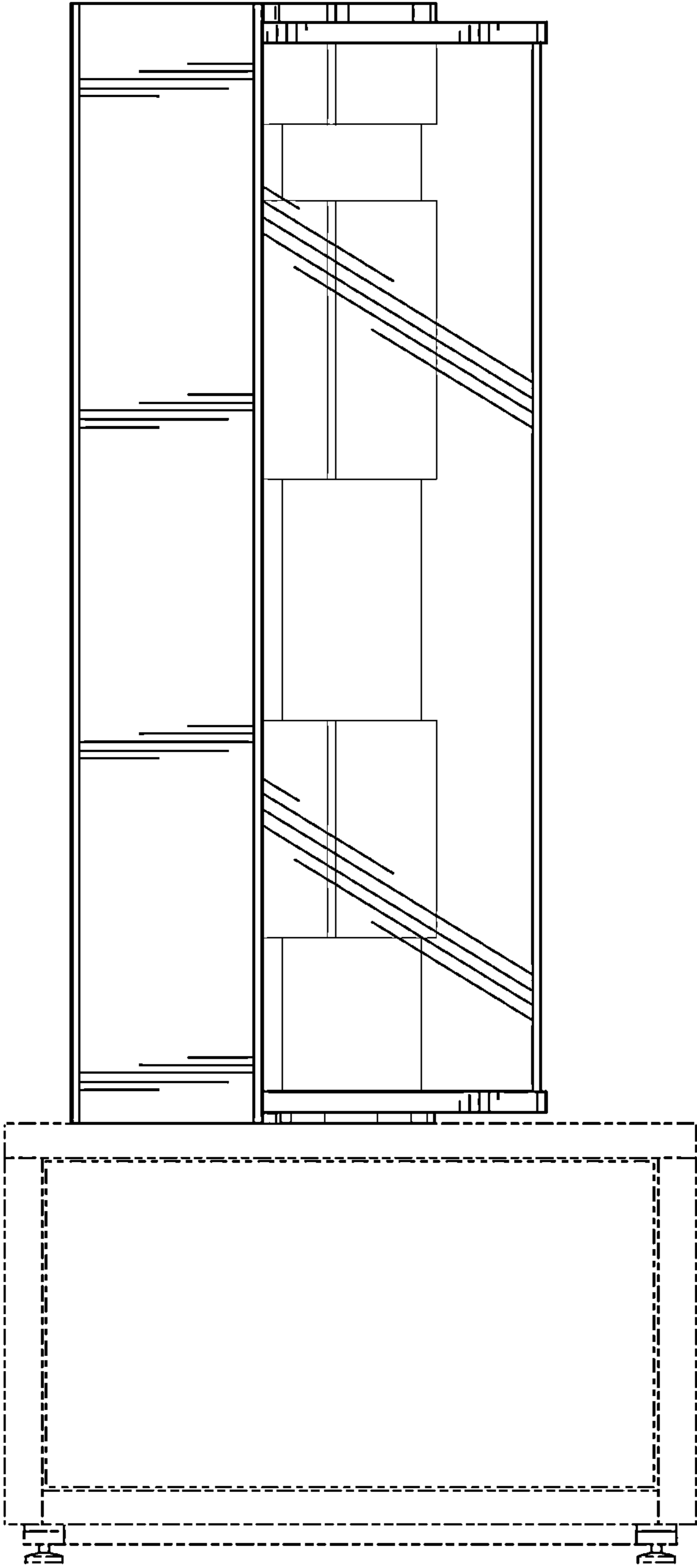


FIG. 3

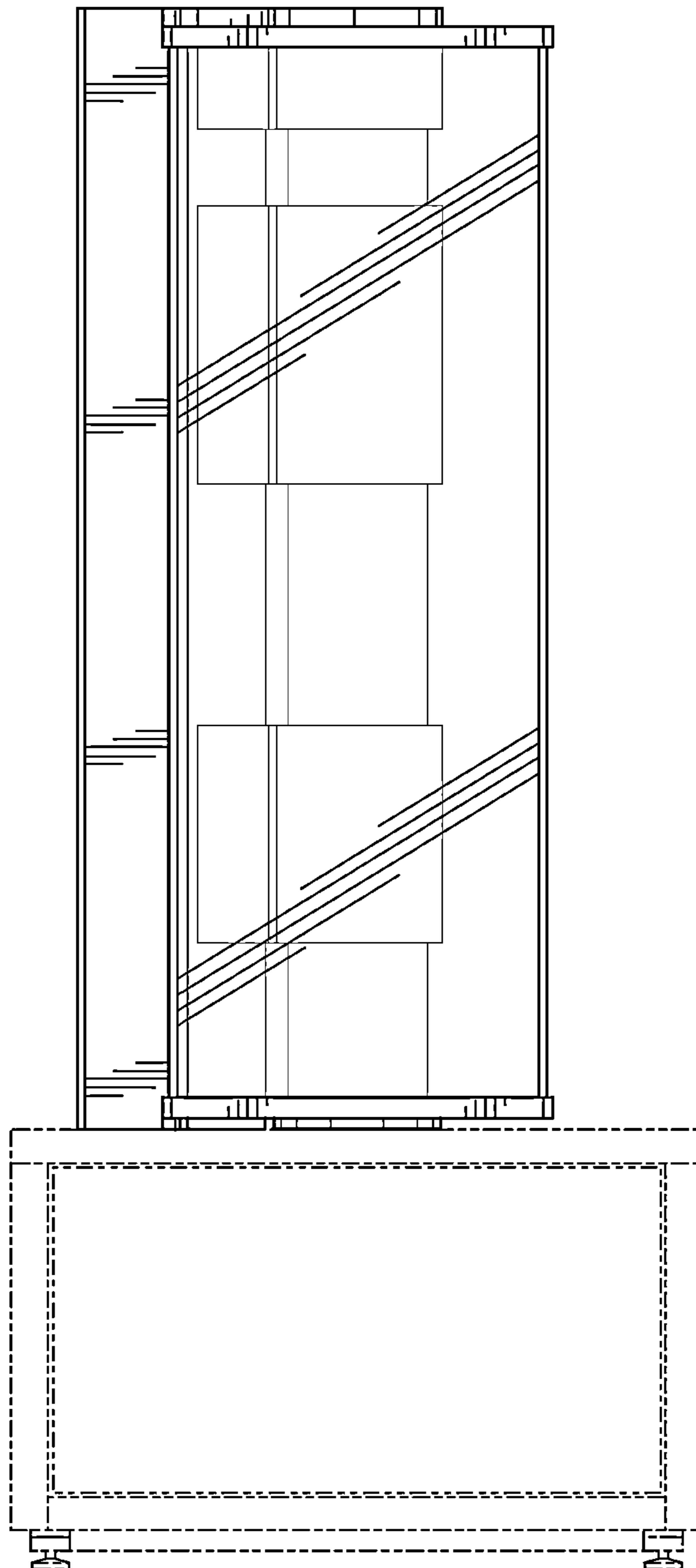


FIG. 4

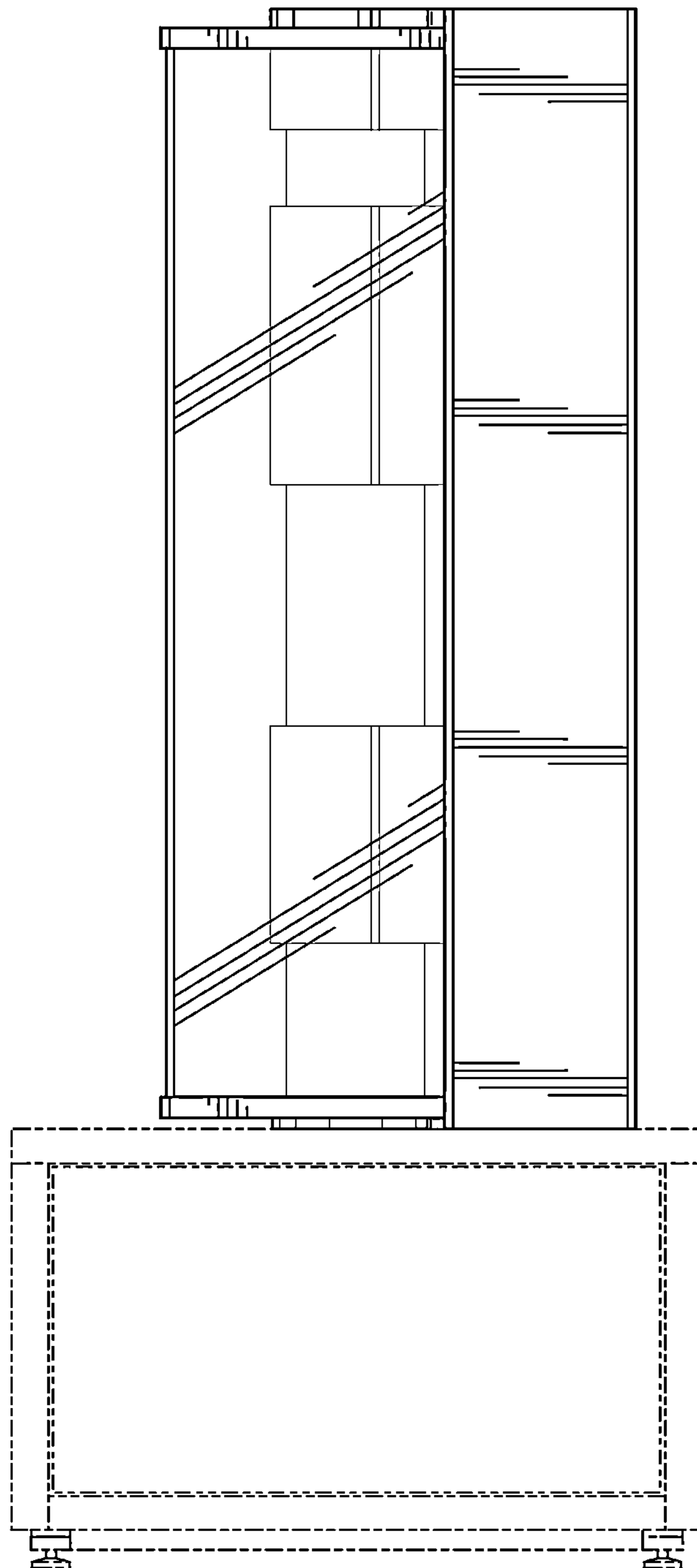


FIG. 5

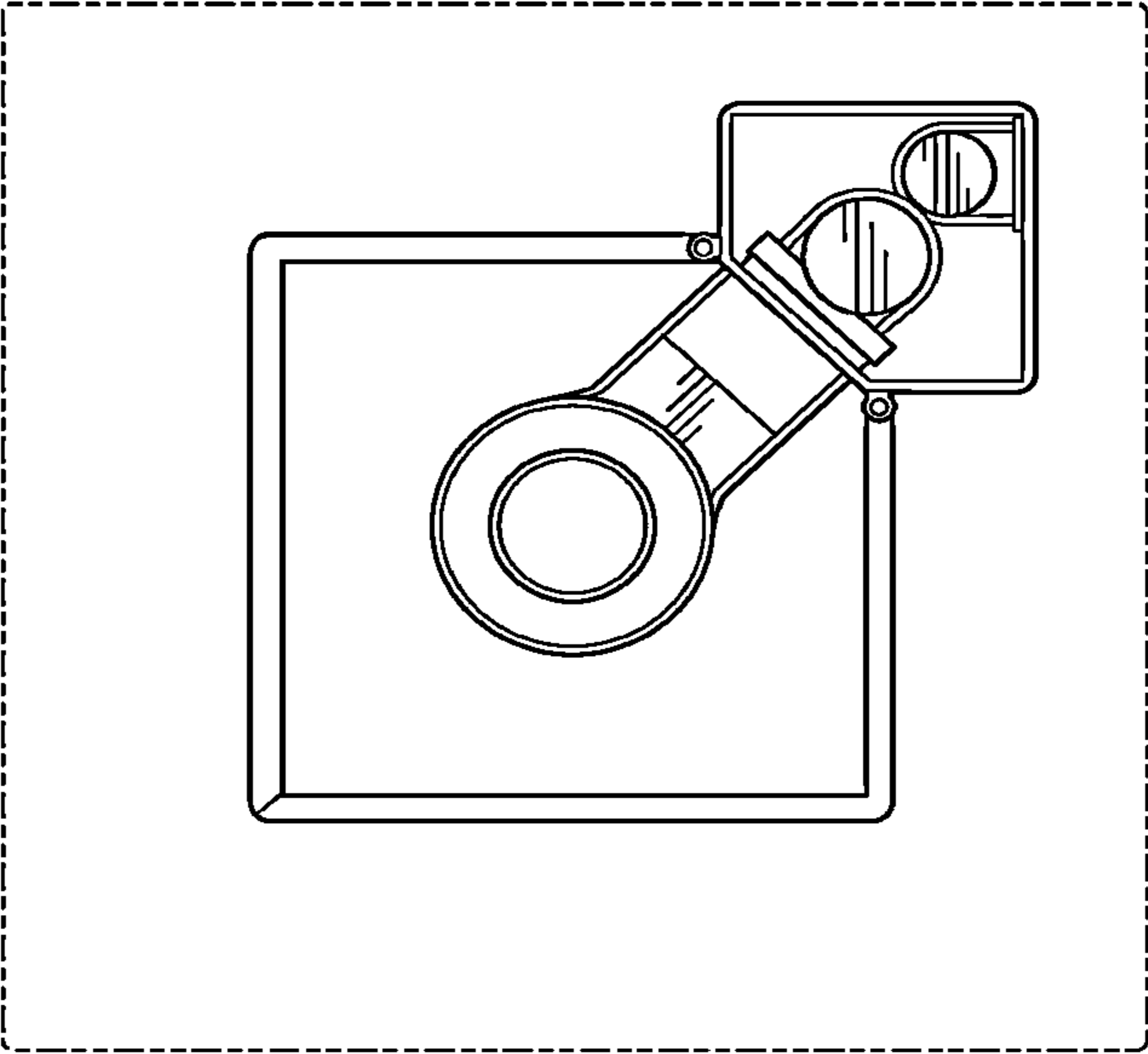


FIG. 6

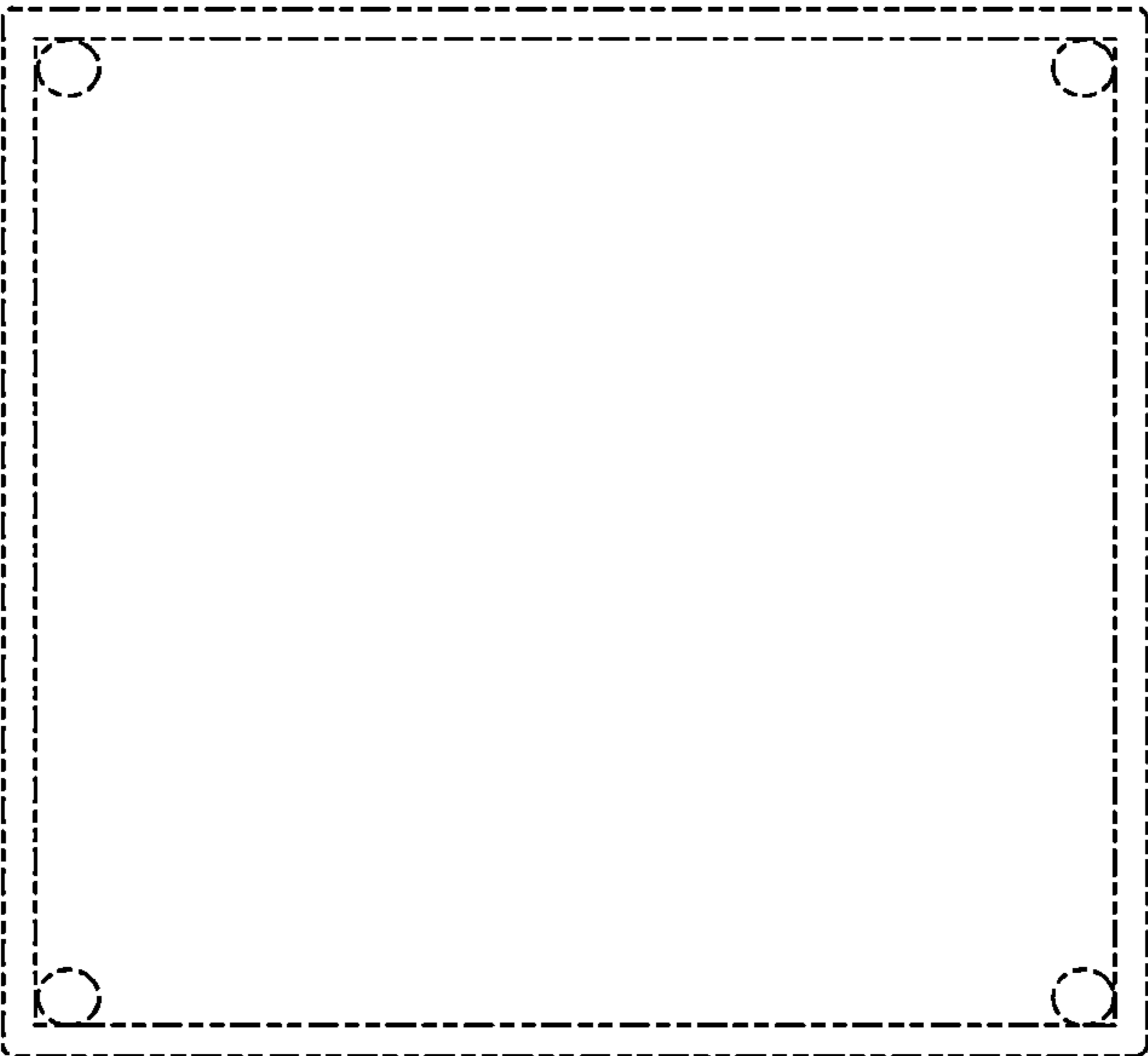


FIG. 7