



US00D696060S

(12) **United States Design Patent**  
**Schleinzer**

(10) **Patent No.:** **US D696,060 S**

(45) **Date of Patent:** **\*\* Dec. 24, 2013**

(54) **ROUND PAN**

219/730-735; 220/4.21, 23.8, 254.1, 315,  
220/573.1-573.5, 912; 426/438, 441, 549

(71) Applicant: **WS-INVENTION trade GmbH, Wr.**  
Neudorf (AT)

See application file for complete search history.

(72) Inventor: **Werner Schleinzer**, Laxenburg (AT)

(56) **References Cited**

(73) Assignee: **WS-INVENTION trade GmbH, Wr.**  
Neudorf (AT)

U.S. PATENT DOCUMENTS

(\*\*) Term: **14 Years**

D366,181 S \* 1/1996 Rossiaud ..... D7/361  
D377,438 S \* 1/1997 Brunianyn ..... D7/361

(21) Appl. No.: **29/442,424**

(Continued)

(22) Filed: **Feb. 28, 2013**

*Primary Examiner* — Ricky Pham

(74) *Attorney, Agent, or Firm* — Olson & Cepuritis, Ltd.

(30) **Foreign Application Priority Data**

(57) **CLAIM**

The ornamental design for a round pan, as shown and described.

Oct. 30, 2012 (EM) ..... 002127696-0001  
Oct. 30, 2012 (EM) ..... 002127696-0002  
Oct. 30, 2012 (EM) ..... 002127696-0003  
Oct. 30, 2012 (EM) ..... 002127696-0004  
Oct. 30, 2012 (EM) ..... 002127696-0005  
Oct. 30, 2012 (EM) ..... 002127696-0006  
Oct. 30, 2012 (EM) ..... 002127696-0007  
Oct. 30, 2012 (EM) ..... 002127696-0008

**DESCRIPTION**

The patent or application file contains at least one drawing executed in color. Copies of this patent or patent application with color drawing(s) will be provided by the Office upon request and payment of the necessary fee.

FIG. 1 is a perspective view of my new design showing a round pan;

FIG. 2 is a top view of the round pan of FIG. 1;

FIG. 3 is a front elevation of the round pan of FIG. 1;

FIG. 4 is side elevation of the round pan of FIG. 1;

FIG. 5 is a rear elevation of the round pan of FIG. 1;

FIG. 6 is a bottom view of the round pan of FIG. 1;

FIG. 7 is a perspective view of the round pan of FIG. 1 showing a red embodiment;

FIG. 8 is a perspective view of the round pan of FIG. 1 showing a grey embodiment;

FIG. 9 is a perspective view of the round pan of FIG. 1 showing a green embodiment; and,

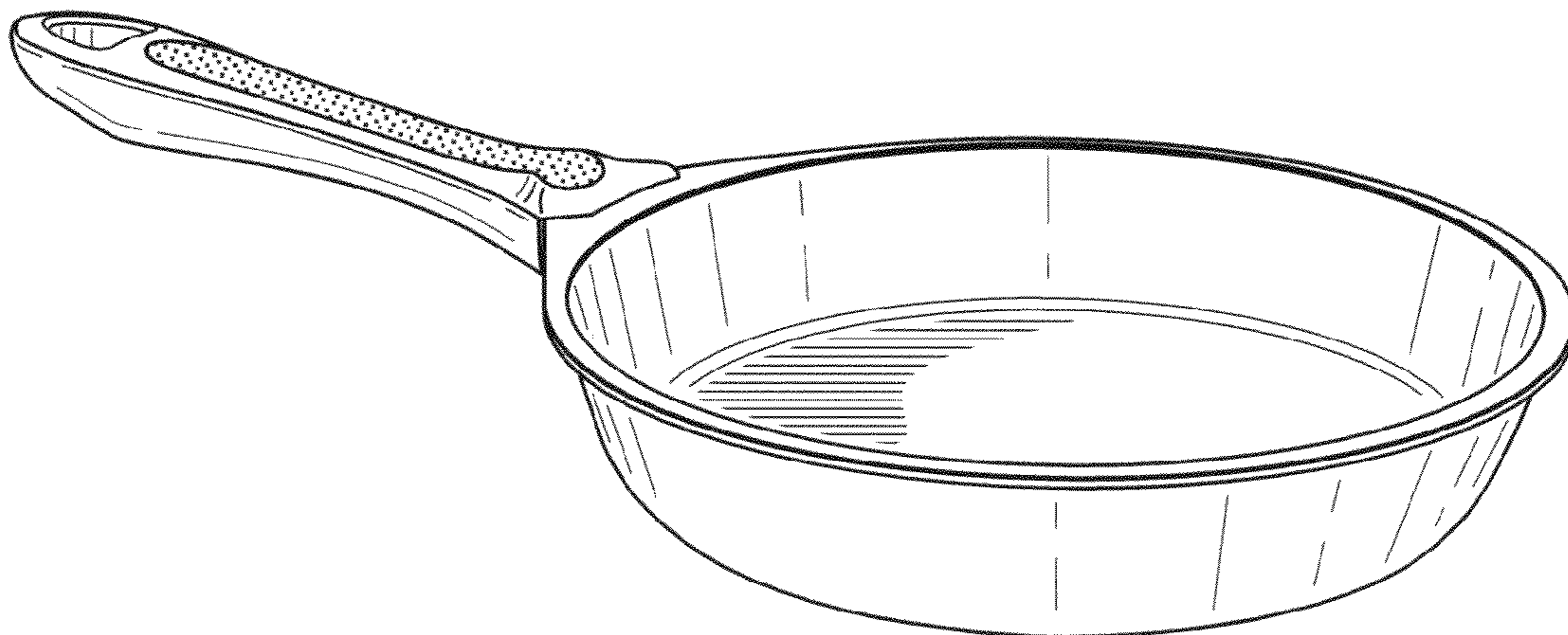
FIG. 10 is a perspective view of the round pan of FIG. 1 showing a blue embodiment.

(51) **LOC (9) Cl.** ..... **07-02**

(52) **U.S. Cl.**  
USPC ..... **D7/361; D7/354**

(58) **Field of Classification Search**  
USPC ..... D7/323, 329-331, 337, 339, 346-347,  
D7/350.1-350.4, 352-367, 388, 393, 395,  
D7/402, 409-410, 538, 542, 672-674;  
D30/159; 99/324-325, 331-332,  
99/337-349, 358, 369-376, 380, 389,  
99/400-418, 422-425, 444-446, 483;  
126/37 R, 261, 378.1; 206/501-505,  
206/507-508; 219/386, 400, 405, 429-442,  
219/450.1, 452.13, 524, 620-624, 725,

**1 Claim, 7 Drawing Sheets**  
**(4 of 7 Drawing Sheet(s) Filed in Color)**



(56)

**References Cited**

U.S. PATENT DOCUMENTS

D470,716 S *	2/2003	Klopsteck .....	D7/361	D586,177 S *	2/2009	Loring .....	D7/361
D544,294 S *	6/2007	Lee .....	D7/354	D614,819 S *	4/2010	Lin .....	D30/159
D564,293 S *	3/2008	Wasserman et al. ....	D7/395	D656,358 S *	3/2012	Cloutier et al. ....	D7/361
D580,214 S *	11/2008	Dodane .....	D7/361	D677,516 S *	3/2013	Cloutier .....	D7/361
				D682,013 S *	5/2013	Huang .....	D7/361
				D684,420 S *	6/2013	Montgomery .....	D7/361
				2004/0060936 A1 *	4/2004	Logiudice .....	220/254.1

\* cited by examiner

FIG. 1

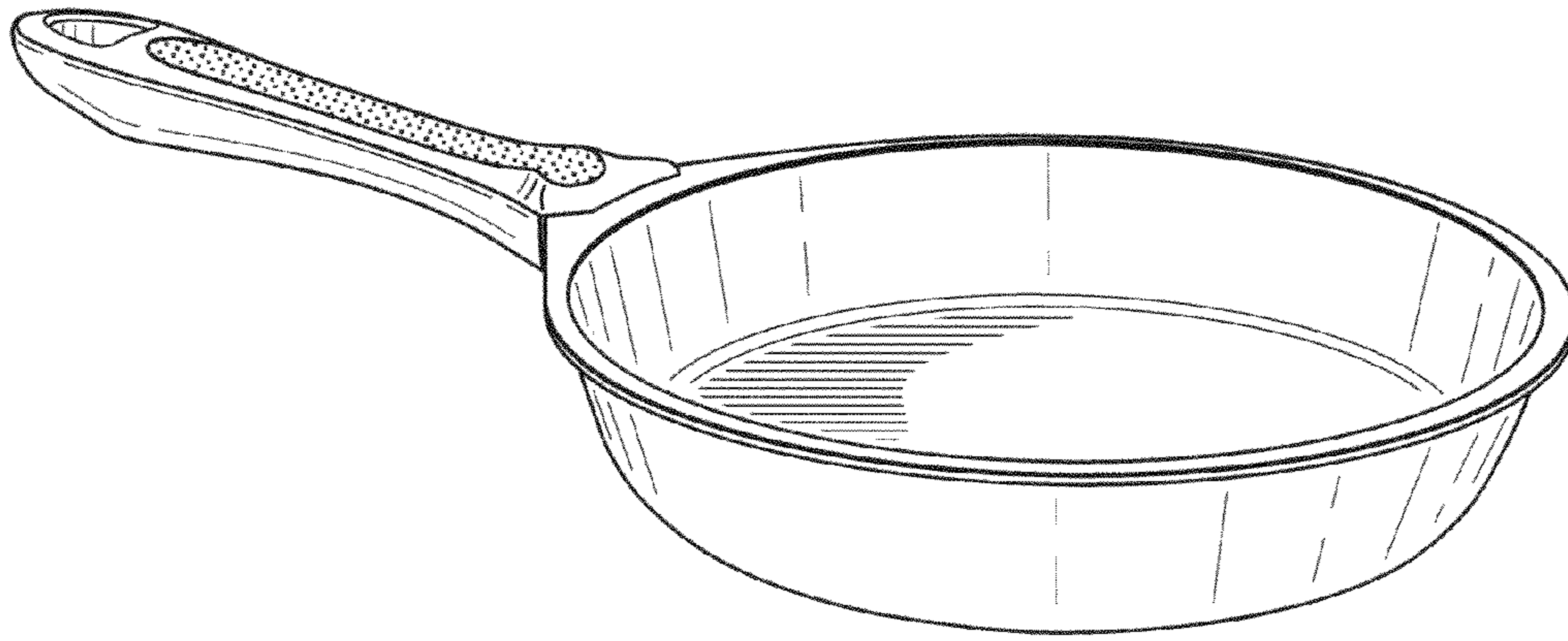


FIG. 2

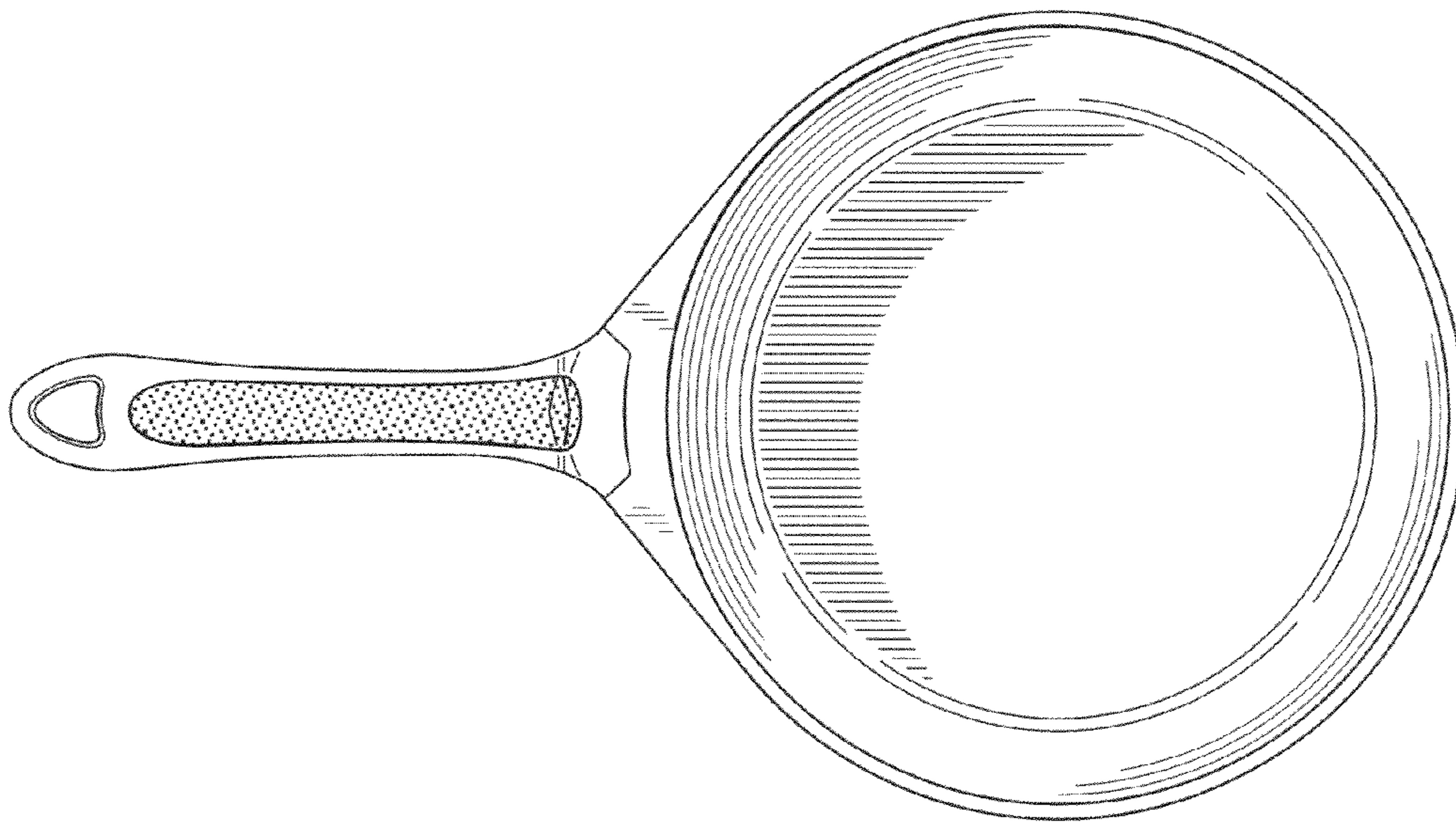


FIG. 3

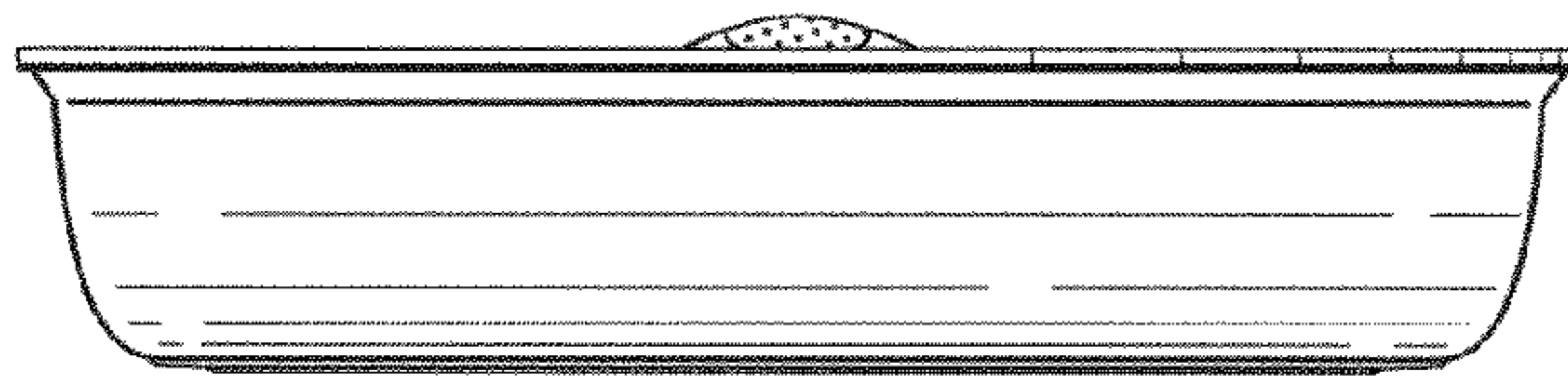


FIG. 4

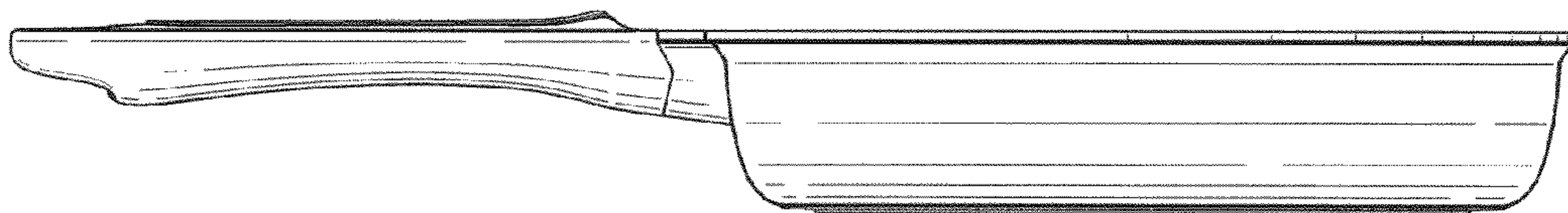


FIG. 5

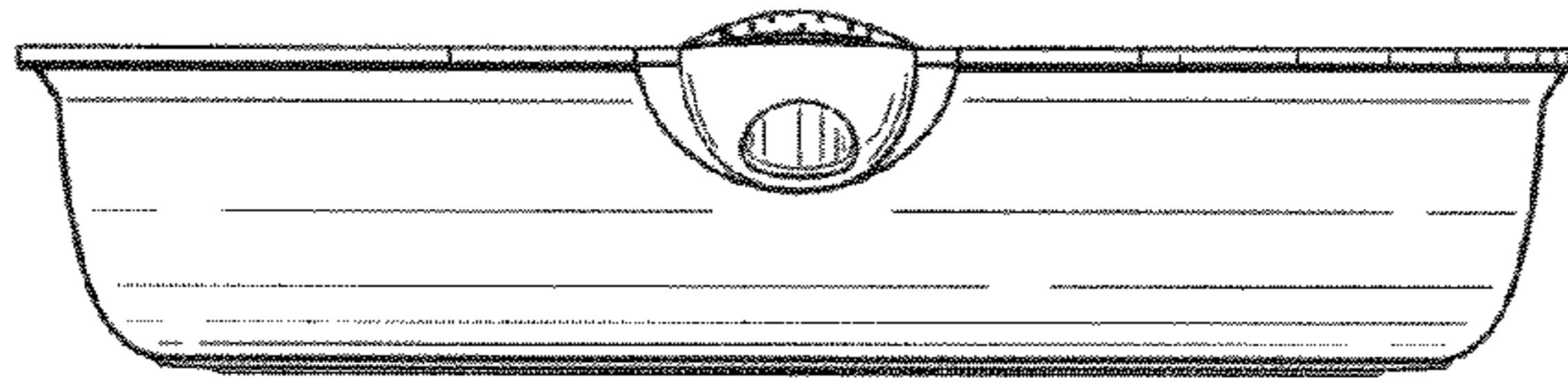


FIG. 6

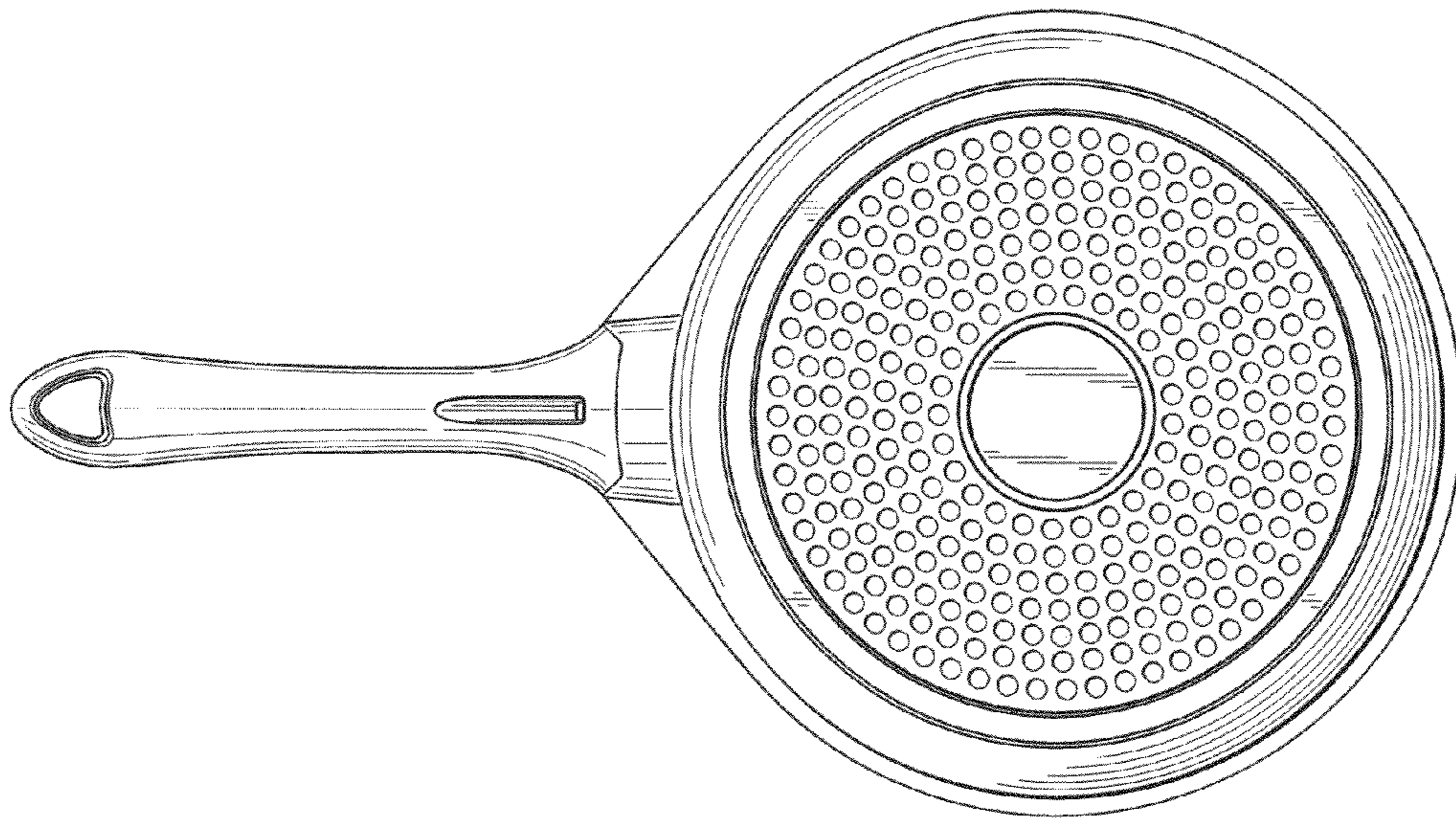


FIG. 7

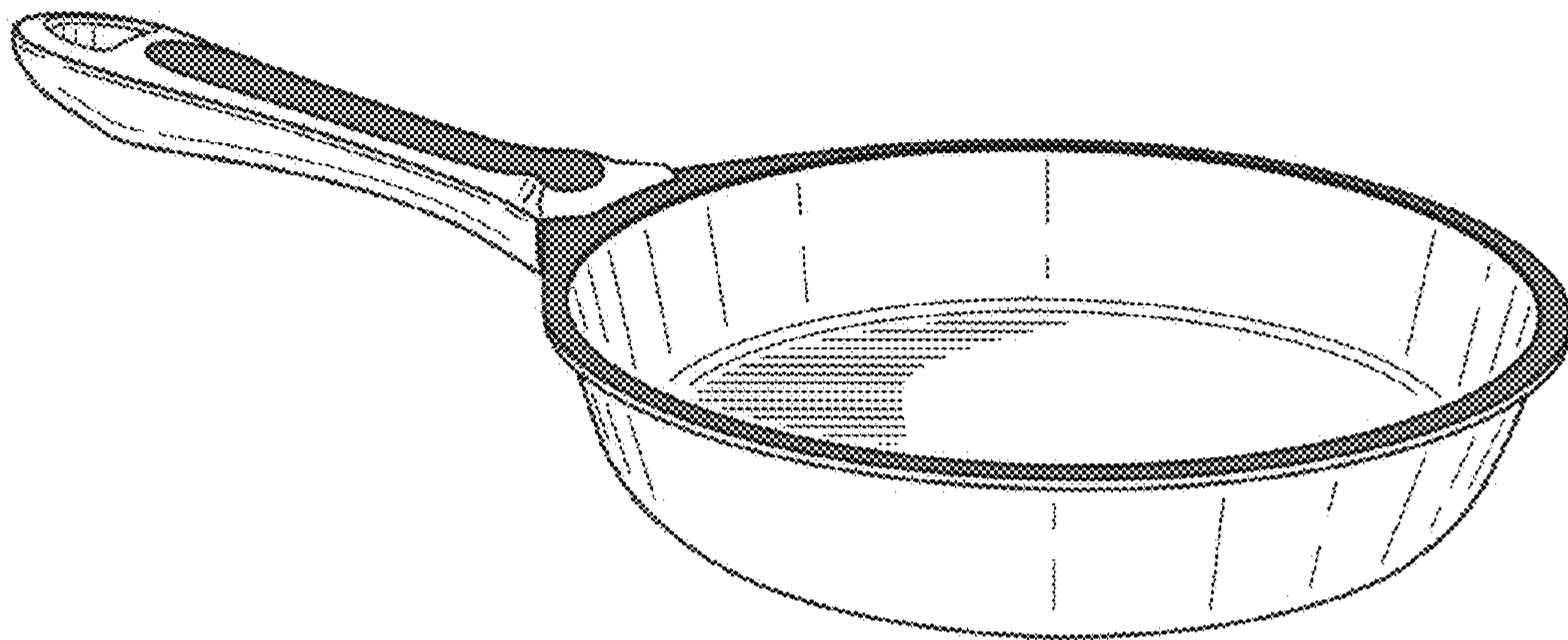


FIG. 8

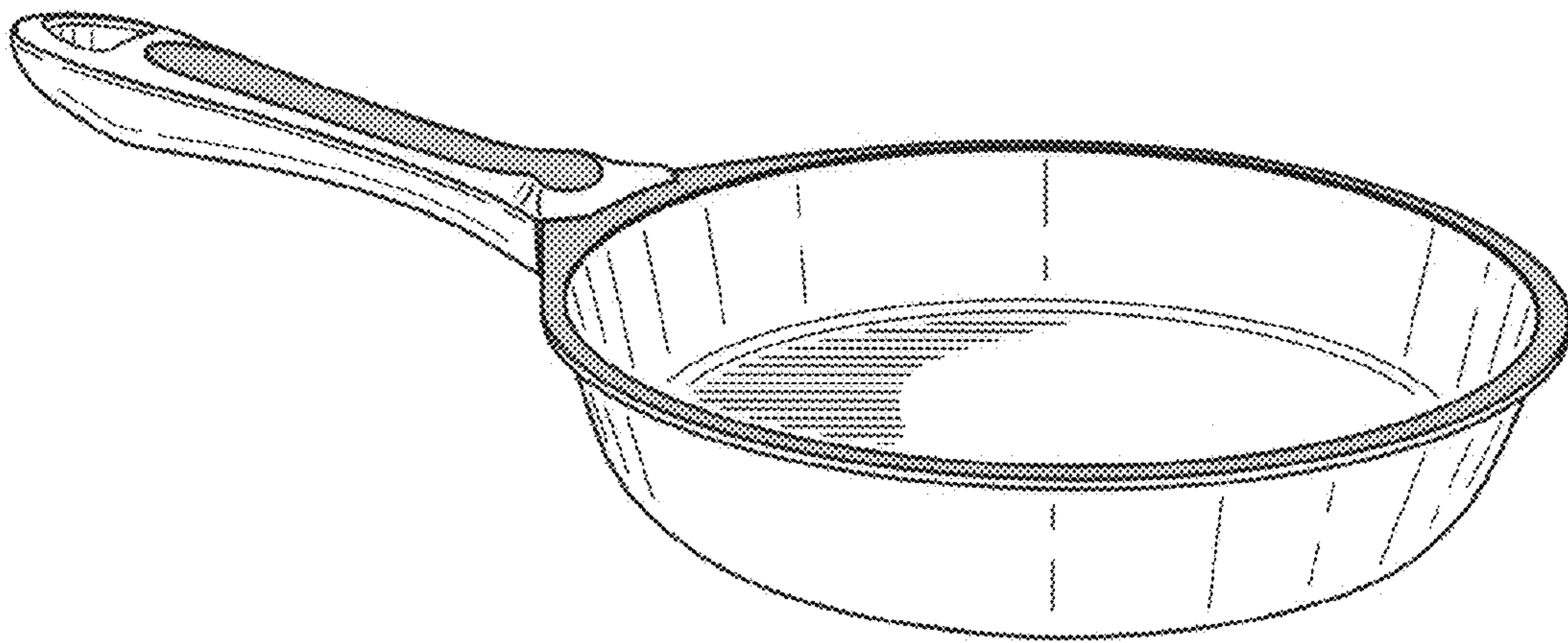


FIG. 9

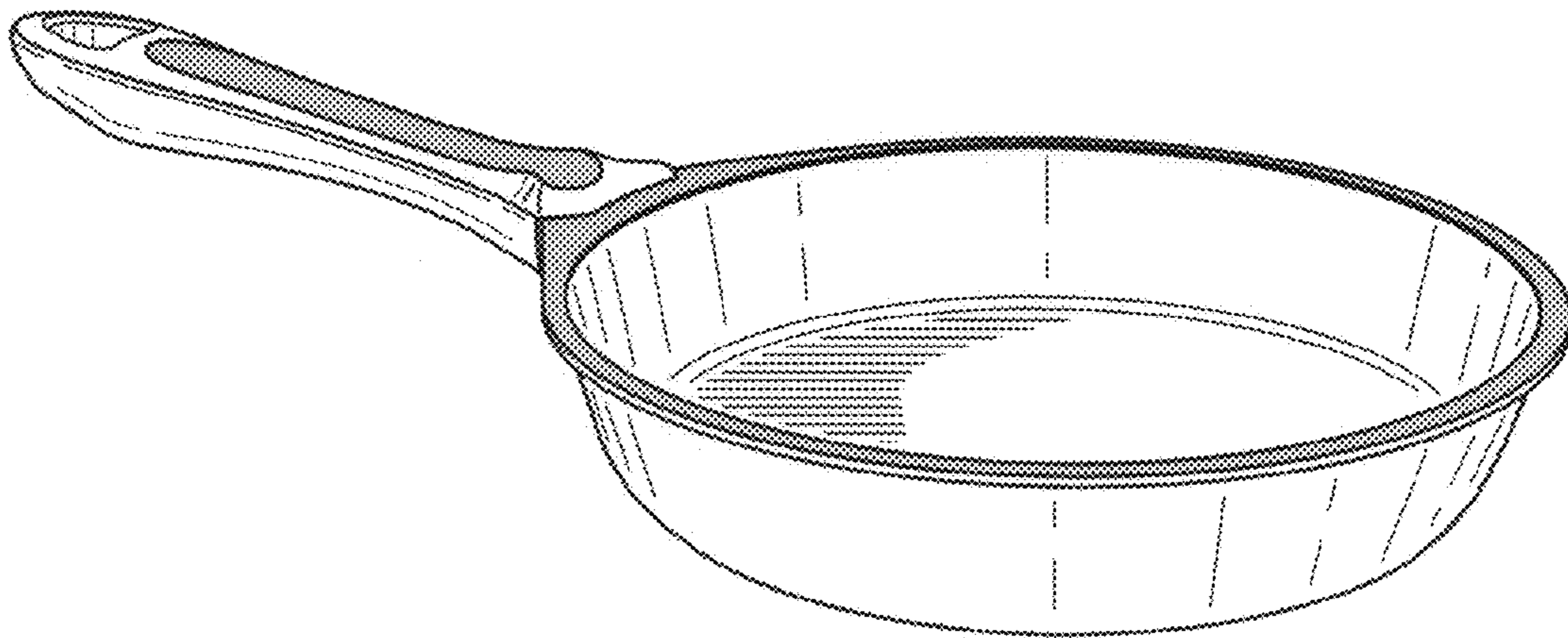




FIG. 10

