



US00D696059S

(12) **United States Design Patent**
Bourbeau

(10) **Patent No.:** **US D696,059 S**
(45) **Date of Patent:** **** Dec. 24, 2013**

(54) **COOKING PAN**

(75) Inventor: **Nicolas Bourbeau**, Lachine (CA)

(73) Assignee: **Les Promotions Atlantiques Inc./Atlantic Promotions Inc.**,
Longueuil, Quebec (CA)

(**) Term: **14 Years**

(21) Appl. No.: **29/404,228**

(22) Filed: **Oct. 18, 2011**

(30) **Foreign Application Priority Data**

Apr. 18, 2011 (CA) 140222

(51) **LOC (9) Cl.** **07-02**

(52) **U.S. Cl.**
USPC **D7/361; D7/354**

(58) **Field of Classification Search**

USPC D7/323, 329-332, 337-339, 346-347,
D7/350.1-350.4, 353-367, 391-395,
D7/401.2, 402-406, 538-548, 584-591,
D7/598-602, 629, 665-667; 24/563;
99/324-325, 330-332, 337-348,
99/366-369, 400-418, 422, 425, 444,
99/483; 126/37 R, 41 R, 261, 369, 378.1;
206/501-505, 507-508; 219/387, 400,
219/405, 429-442, 452.11, 620-624, 725,
219/730-735; 220/314-315, 573.1-573.5,
220/592.16, 627, 735, 912; 248/37.6,
248/229.26; 294/29; 426/438, 441

See application file for complete search history.

(56) **References Cited**

U.S. PATENT DOCUMENTS

116,330 A * 6/1871 Lawrence et al. 294/29
807,840 A * 12/1905 Martin et al. 248/37.6

(Continued)

FOREIGN PATENT DOCUMENTS

CA 2232284 9/1999
EP 1683455 7/2006

(Continued)

Primary Examiner — Ricky Pham

(74) *Attorney, Agent, or Firm* — SmithAmundsen LLC;
Dennis S. Schell

(57) **CLAIM**

The ornamental design for a cooking pan, as shown.

DESCRIPTION

FIG. 1 is a perspective view of the combination of the cooking pan and the unclaimed utensil;

FIG. 2 is a perspective view of the first variant of the cooking pan;

FIG. 3 is a side view of the first variant of the cooking pan;

FIG. 4 is another side view of the first variant of the cooking pan;

FIG. 5 is a front view of the first variant of the cooking pan;

FIG. 6 is a rear view of the first variant of the cooking pan;

FIG. 7 is a top view of the first variant of the cooking pan;

FIG. 8 is a bottom view of the first variant of the cooking pan;

FIG. 9 is a perspective view of the second variant of the cooking pan;

FIG. 10 is a top view of the second variant of the cooking pan;

FIG. 11 is a bottom view of the second variant of the cooking pan;

FIG. 12 is a perspective view of the third variant of the cooking pan;

FIG. 13 is a top view of the third variant of the cooking pan;

FIG. 14 is a bottom view of the third variant of the cooking pan;

FIG. 15 is a perspective view of the fourth variant of the cooking pan;

FIG. 16 is a top view of the fourth variant of the cooking pan;

FIG. 17 is a bottom view of the fourth variant of the cooking pan;

FIG. 18 is a perspective view of the fifth variant of the cooking pan;

FIG. 19 is a top view of the fifth variant of the cooking pan;

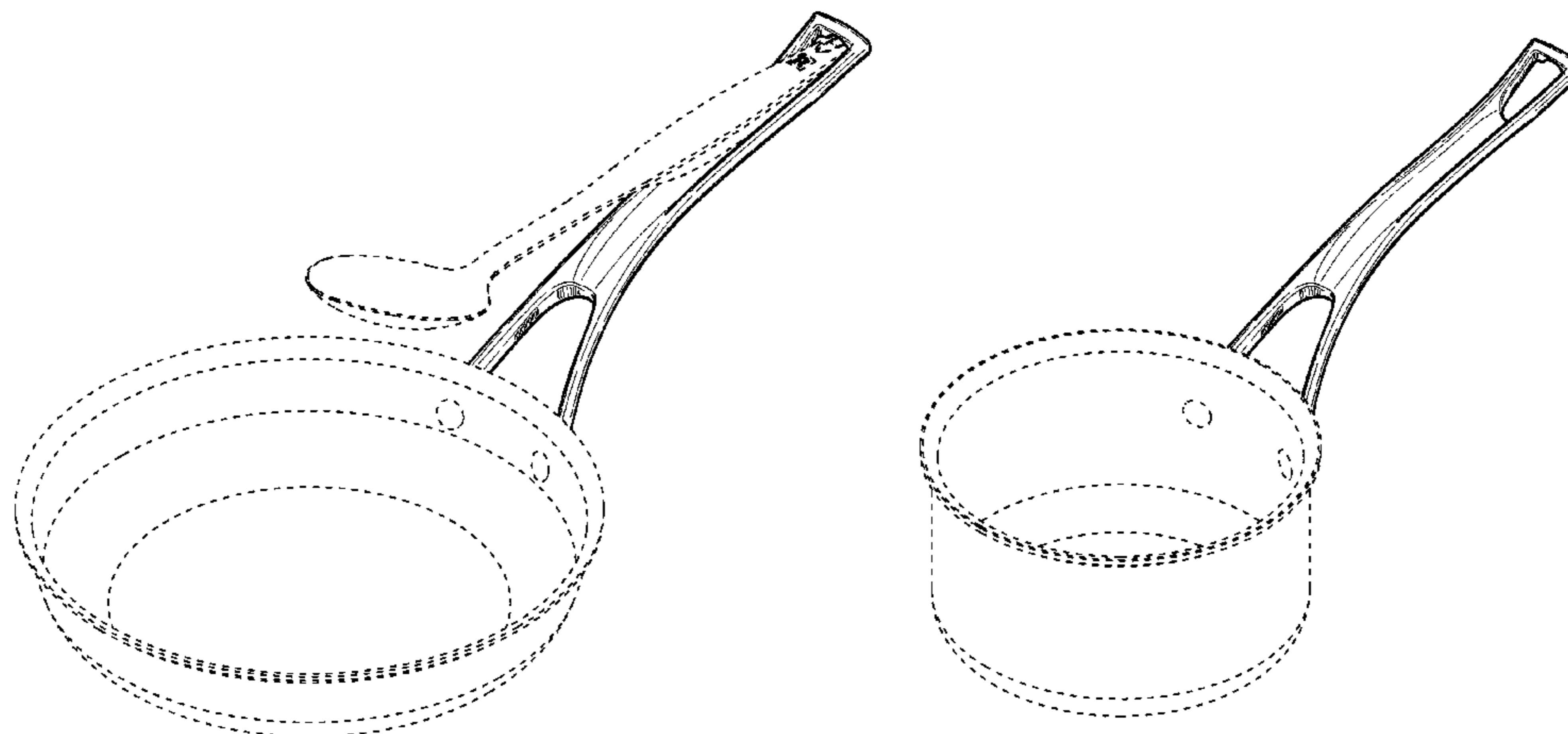
FIG. 20 is a bottom view of the fifth variant of the cooking pan;

FIG. 21 is a perspective view of the sixth variant of the cooking pan;

FIG. 22 is a top view of the sixth variant of the cooking pan; and,

FIG. 23 is a bottom view of the sixth variant of the cooking pan.

1 Claim, 23 Drawing Sheets



(56)

References Cited

U.S. PATENT DOCUMENTS

846,010 A * 3/1907 Corbell 220/627
 1,182,732 A * 5/1916 Avery 248/37.6
 1,196,543 A * 8/1916 Hauf 24/563
 1,211,171 A * 1/1917 Kershner 248/37.6
 1,323,924 A * 12/1919 Stevens 248/37.6
 1,327,982 A * 1/1920 Burns 248/37.6
 1,464,731 A * 8/1923 Smith 248/37.6
 1,554,887 A * 9/1925 Smith 220/735
 1,580,582 A 4/1926 Carman
 1,928,995 A * 10/1933 De Biasi 220/735
 2,298,901 A * 10/1942 Pickering 248/37.6
 2,368,898 A * 2/1945 Swift, Jr. 248/37.6
 2,593,549 A 4/1952 Finch
 2,713,469 A * 7/1955 Wright 248/229.26
 2,919,086 A * 12/1959 McMahan 248/37.6
 4,231,128 A 11/1980 James
 4,515,332 A 5/1985 Scharfy
 5,105,963 A 4/1992 Scott
 5,666,874 A * 9/1997 Wang 99/348
 5,678,790 A 10/1997 Dwyer
 5,715,570 A 2/1998 Hyun
 5,730,405 A 3/1998 Nichols, IV

5,829,342 A * 11/1998 Lee 99/348
 D407,600 S 4/1999 LoGiudice
 5,924,592 A 7/1999 Hieronymus
 6,032,822 A * 3/2000 Munari 220/573.1
 D427,848 S * 7/2000 Gasparino et al. D7/401.2
 D427,849 S * 7/2000 Gasparino et al. D7/401.2
 D441,602 S * 5/2001 Gasparino et al. D7/401.2
 D442,024 S * 5/2001 Sassone D7/395
 7,485,831 B2 * 2/2009 Tynes et al. 219/433
 D589,744 S * 4/2009 Rae D7/395
 D594,274 S * 6/2009 McKenzie D7/395
 D599,617 S * 9/2009 Ye D7/401.2
 2006/0185177 A1 8/2006 Simard
 2007/0210094 A1 9/2007 Kutsch et al.
 2007/0289981 A1 12/2007 Shaw
 2009/0134055 A1 5/2009 Spellman

FOREIGN PATENT DOCUMENTS

GB 2315667 2/1998
 JP 2000070162 3/2000
 JP 2009011786 1/2009
 WO 9706719 2/1997
 WO 2011070601 6/2011

* cited by examiner

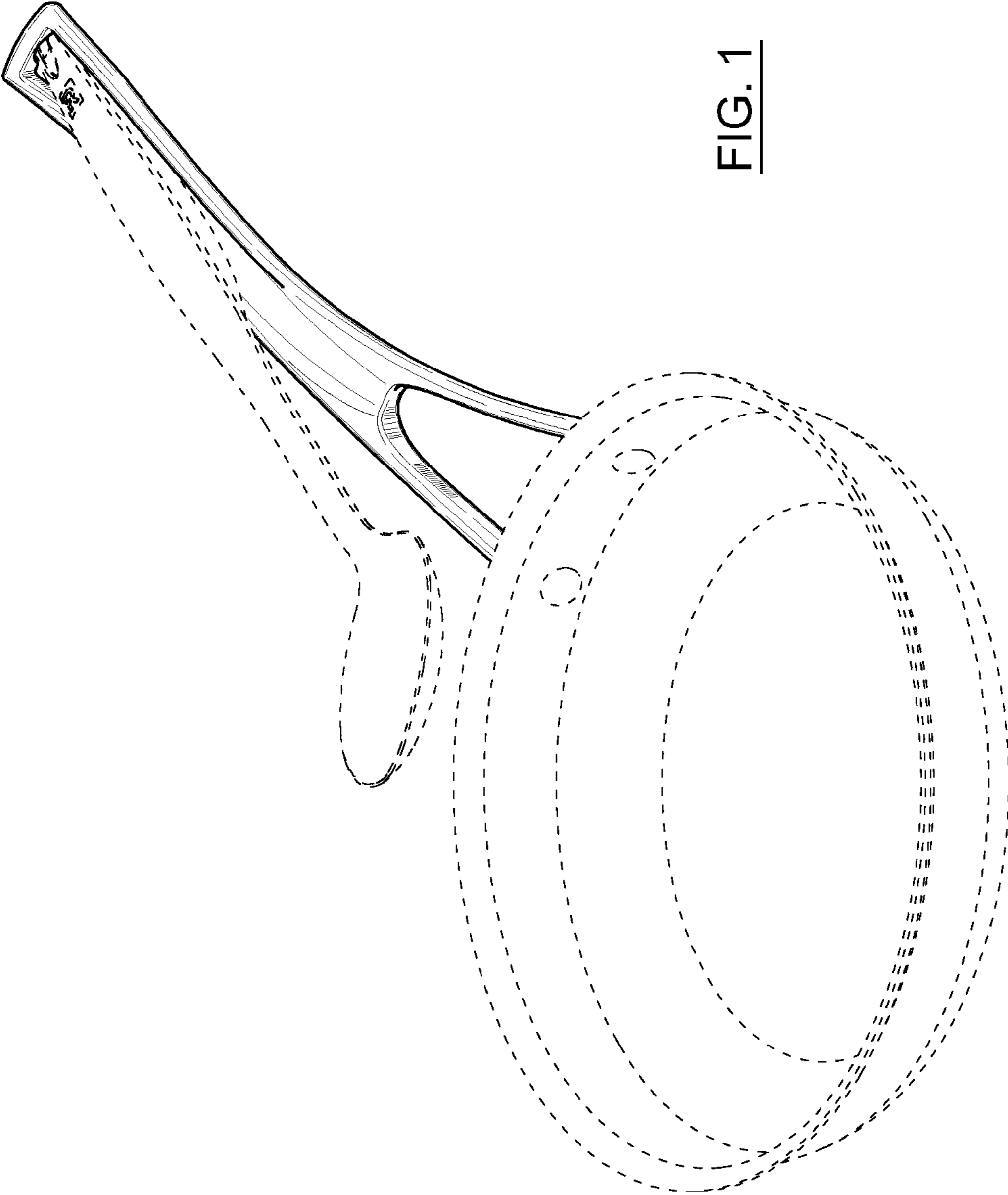


FIG. 1

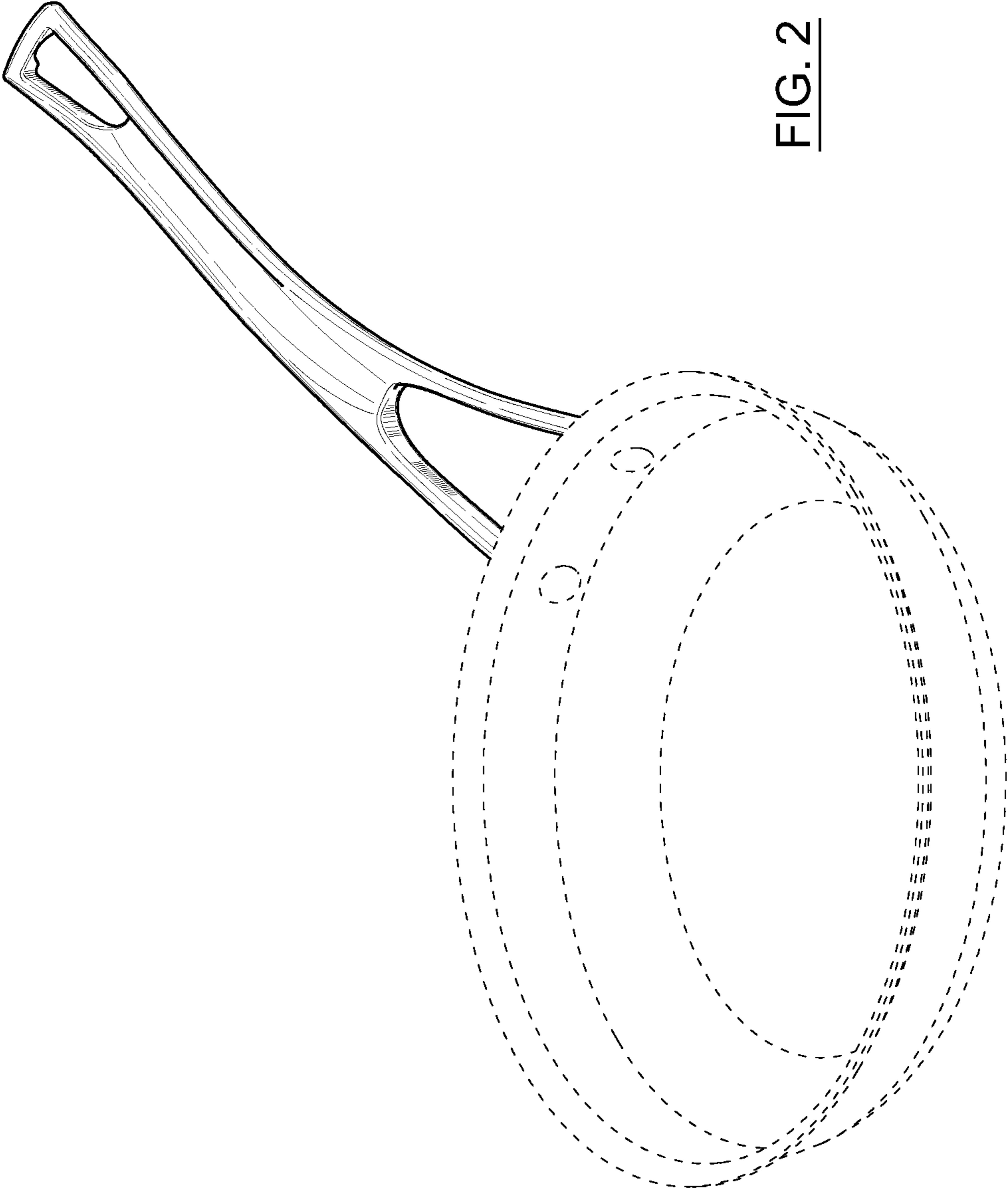


FIG. 2

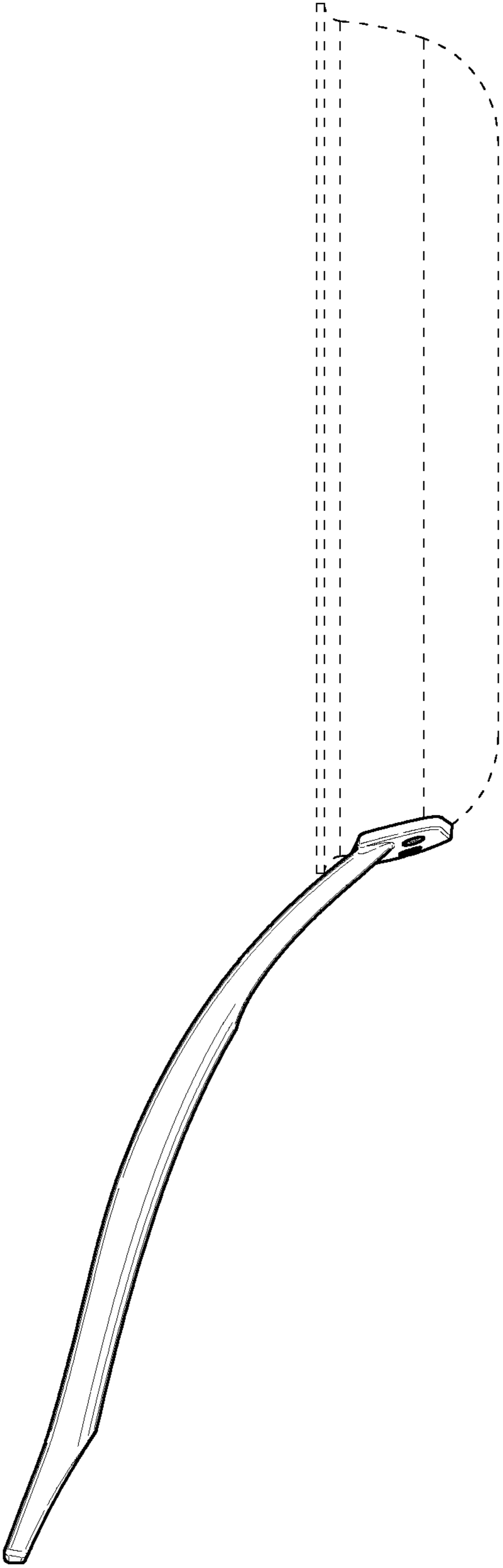


FIG. 3

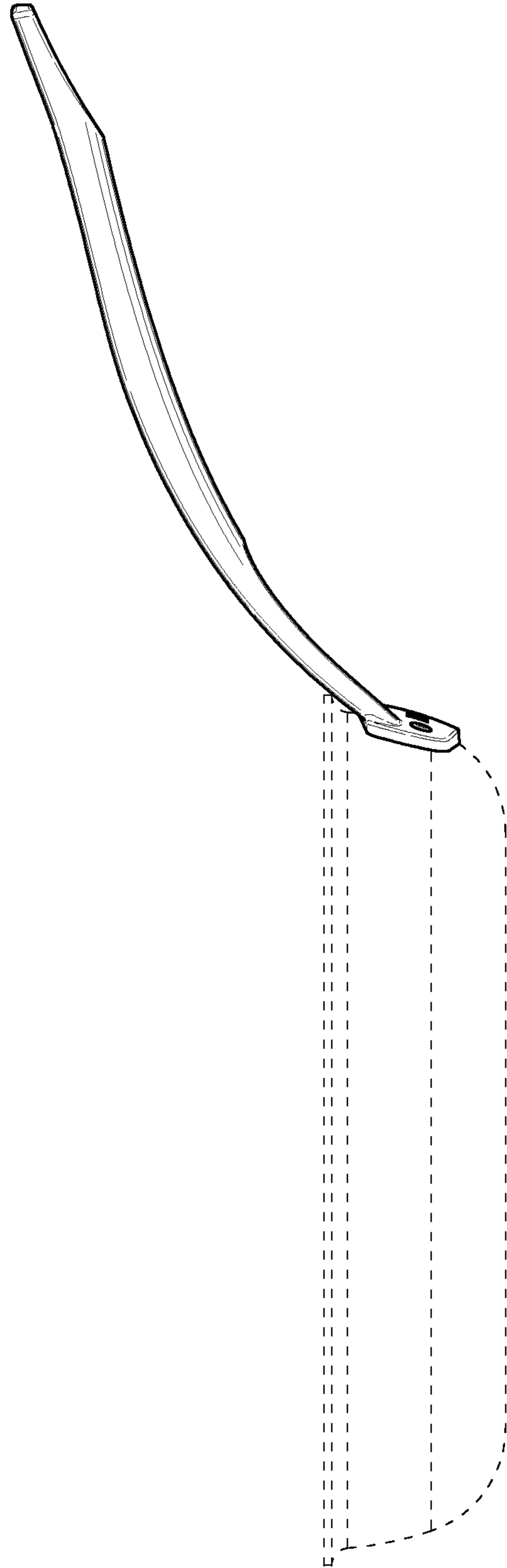


FIG. 4

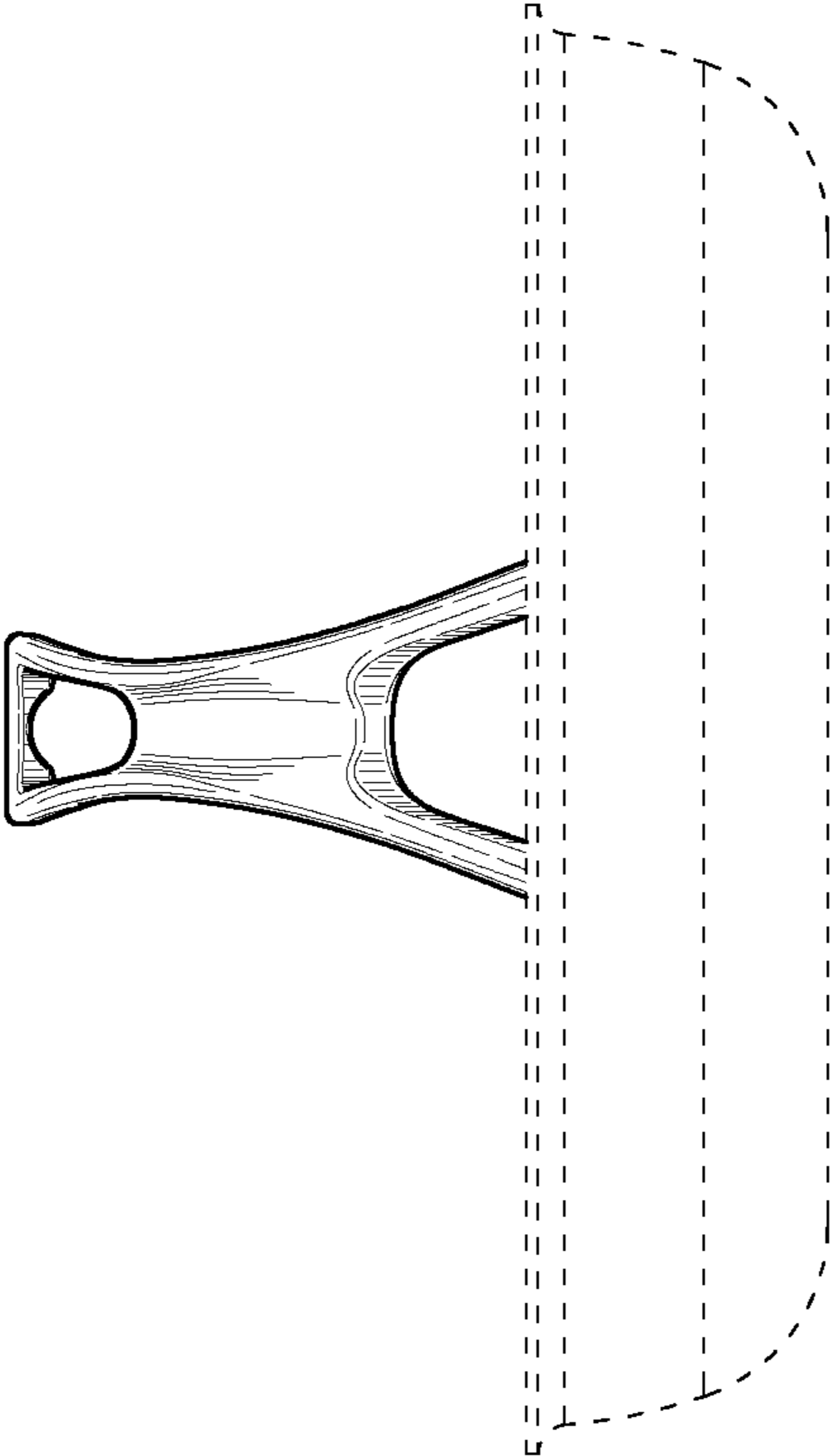


FIG. 5

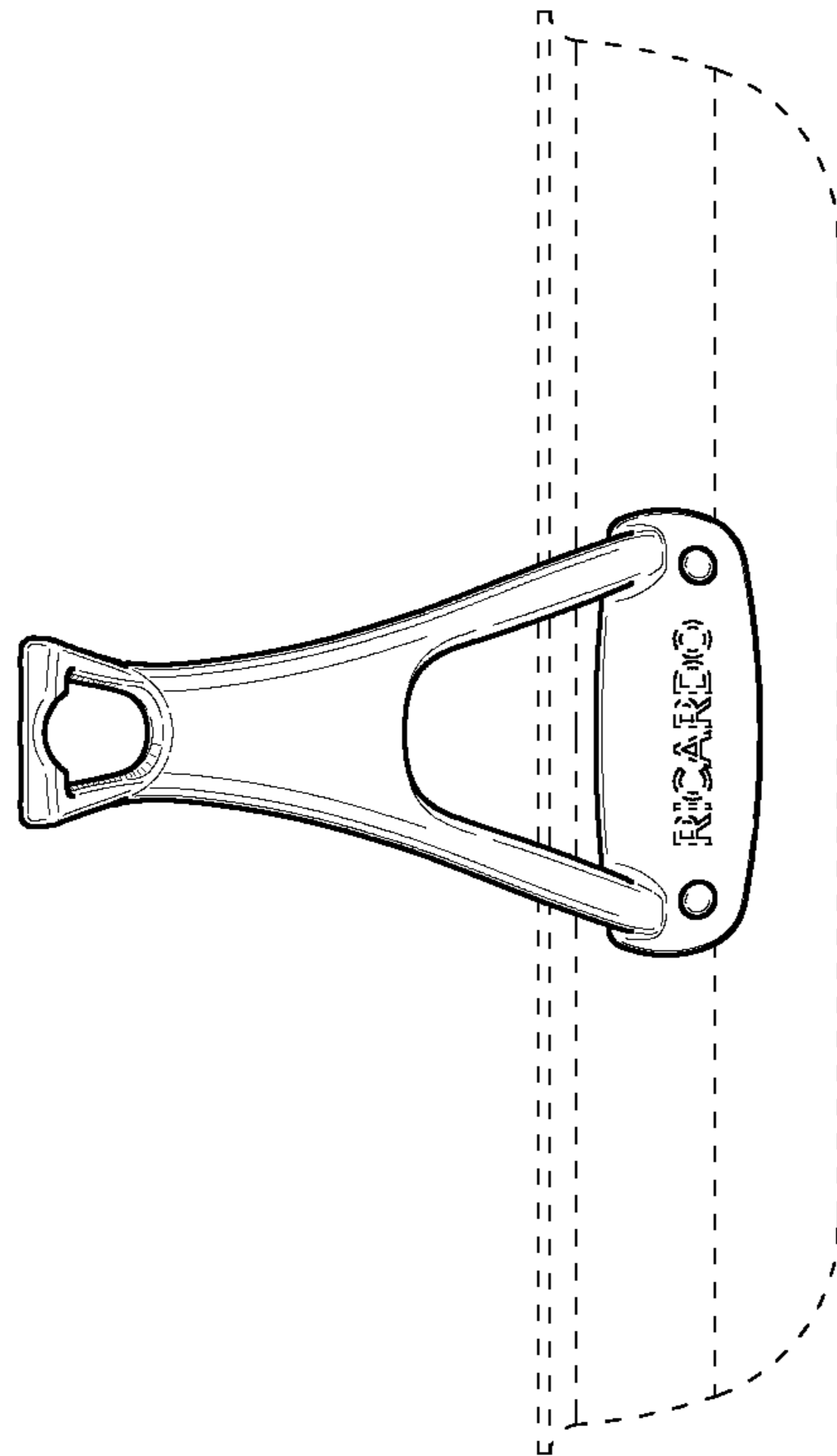


FIG. 6

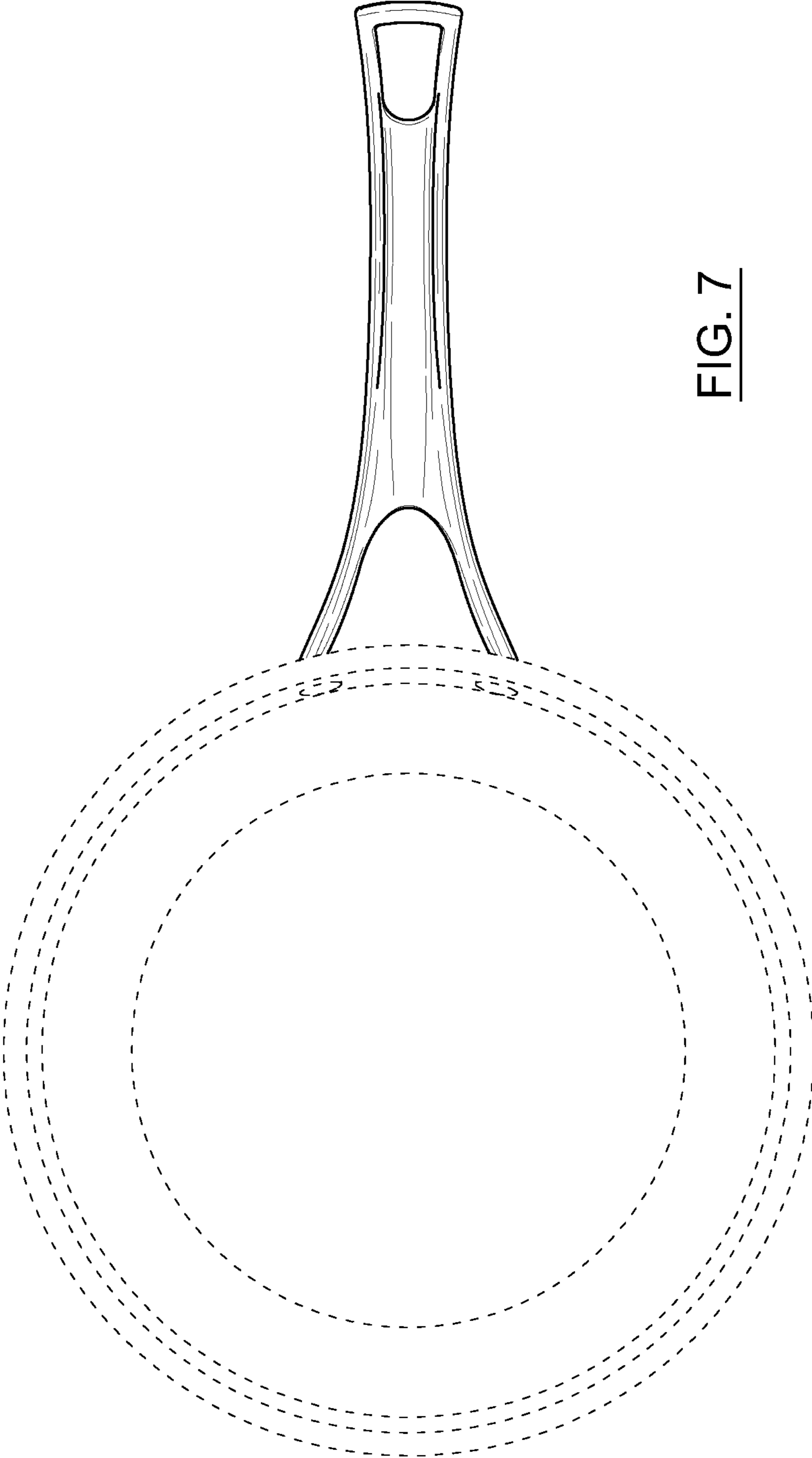


FIG. 7

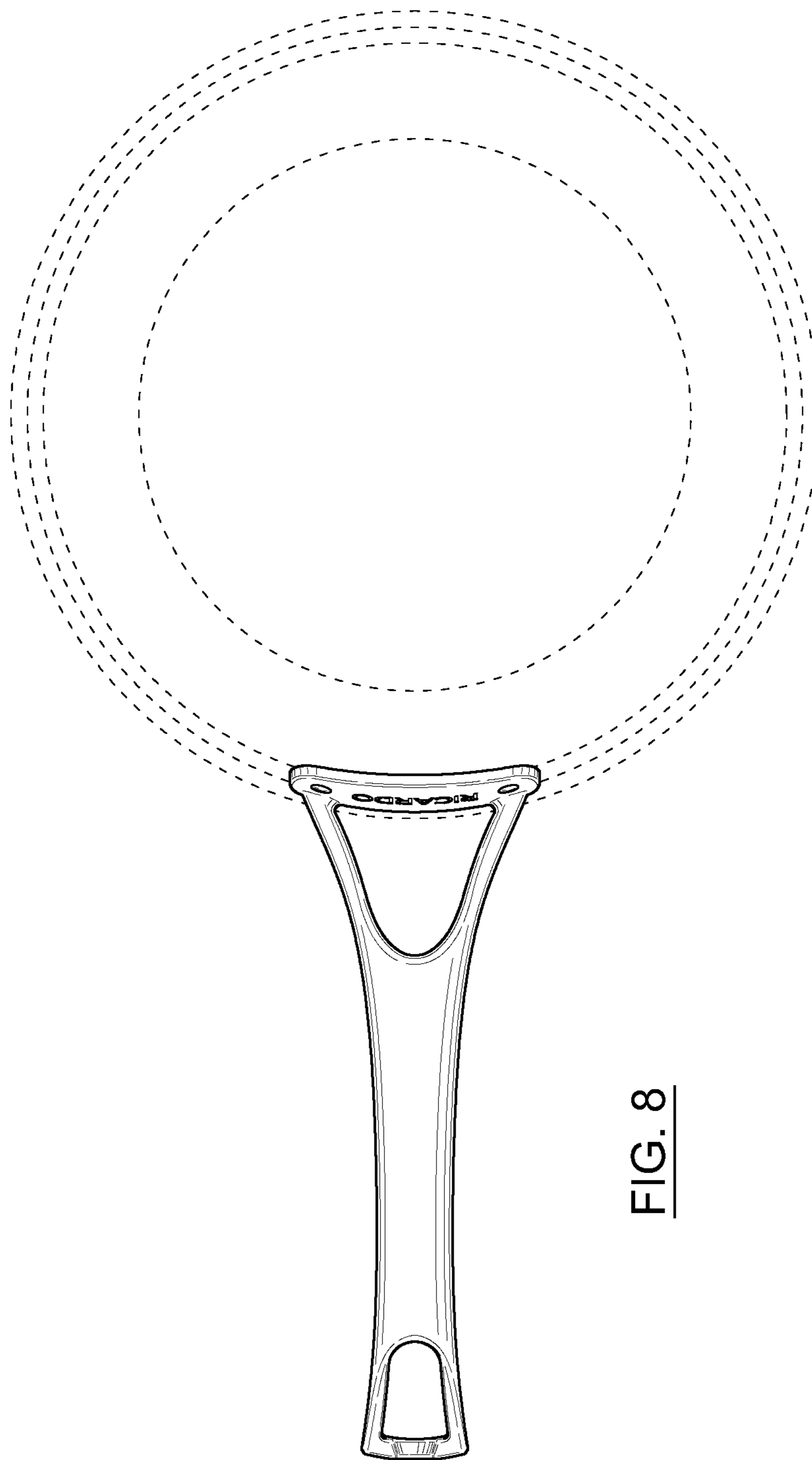


FIG. 8

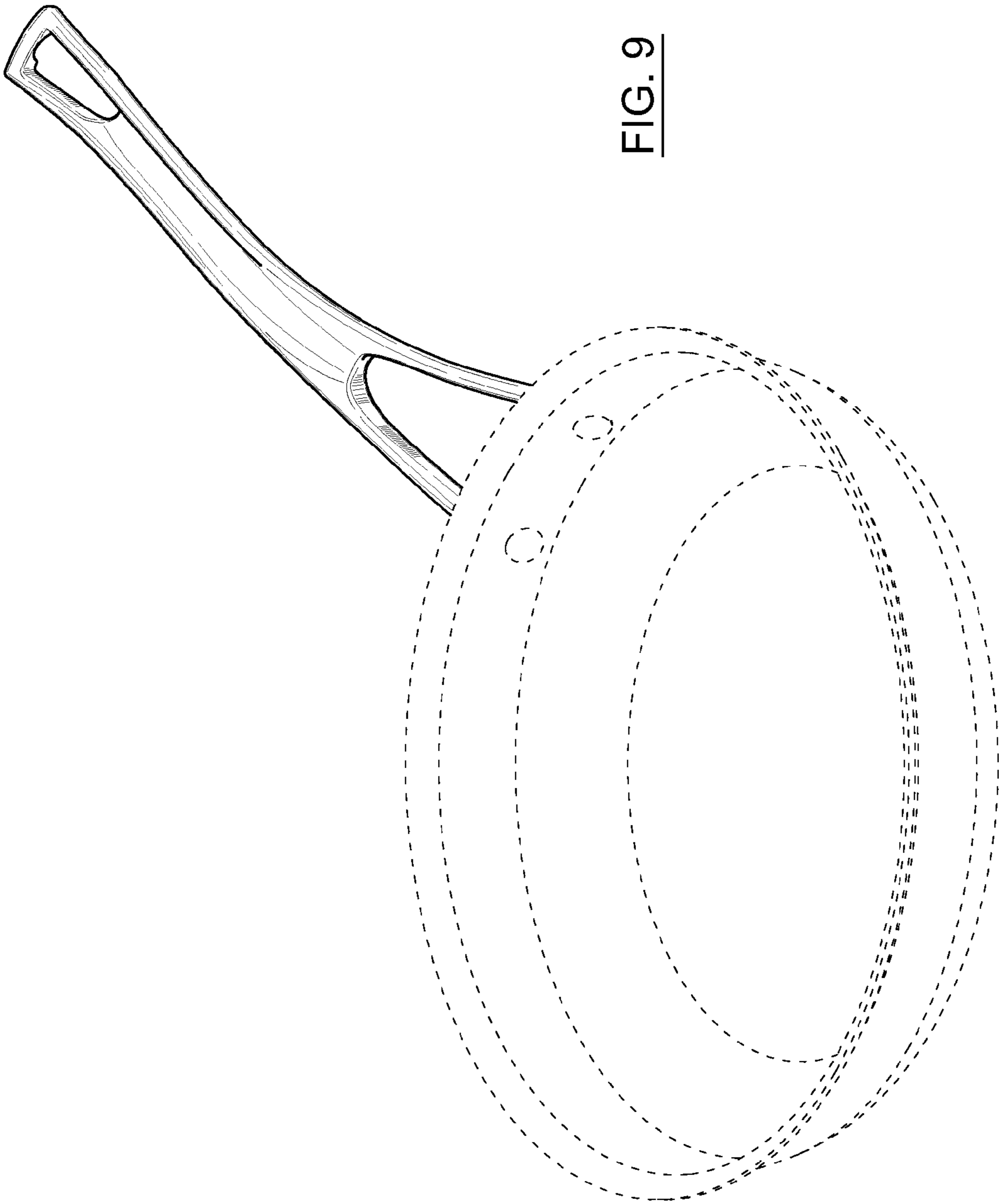


FIG. 9

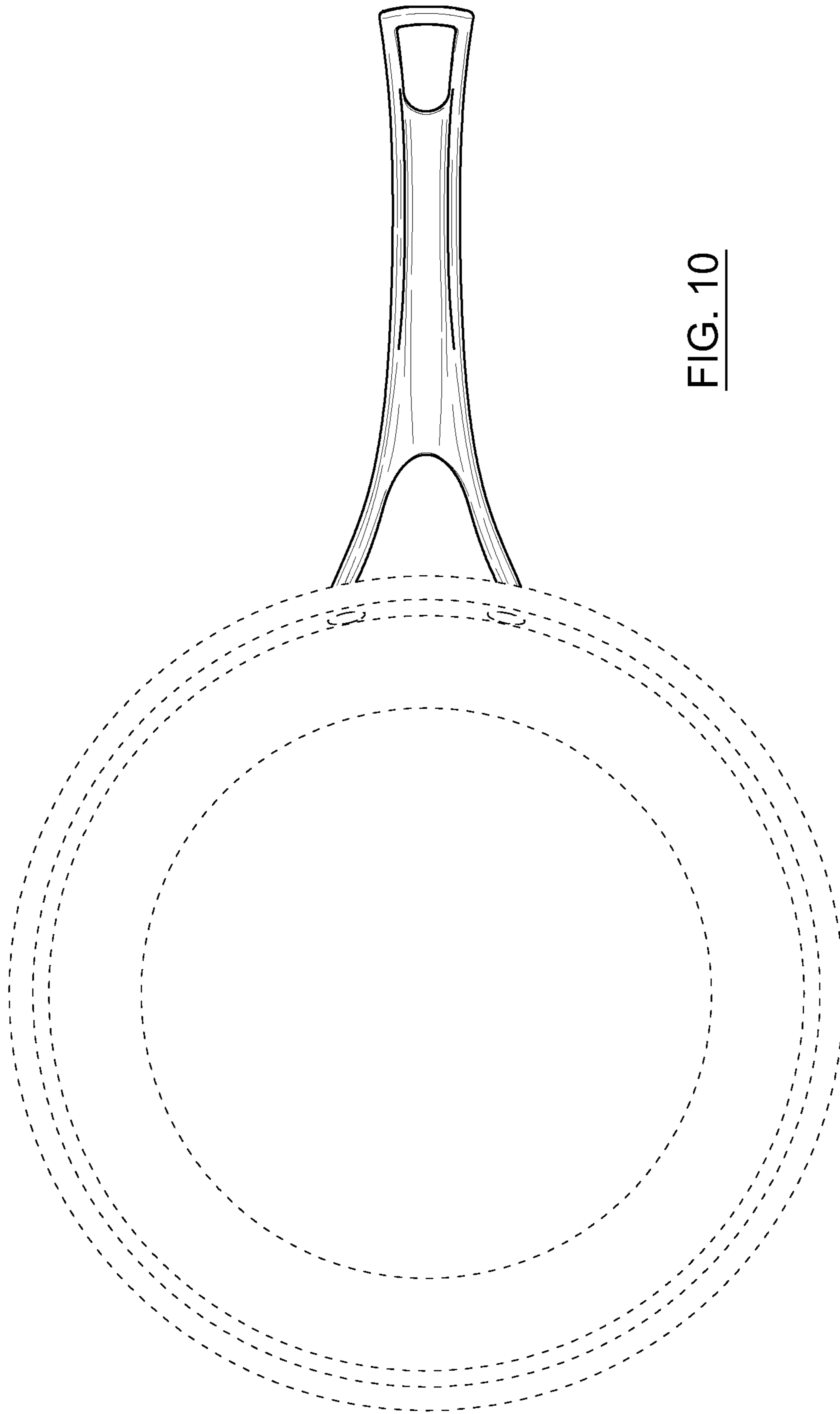


FIG. 10

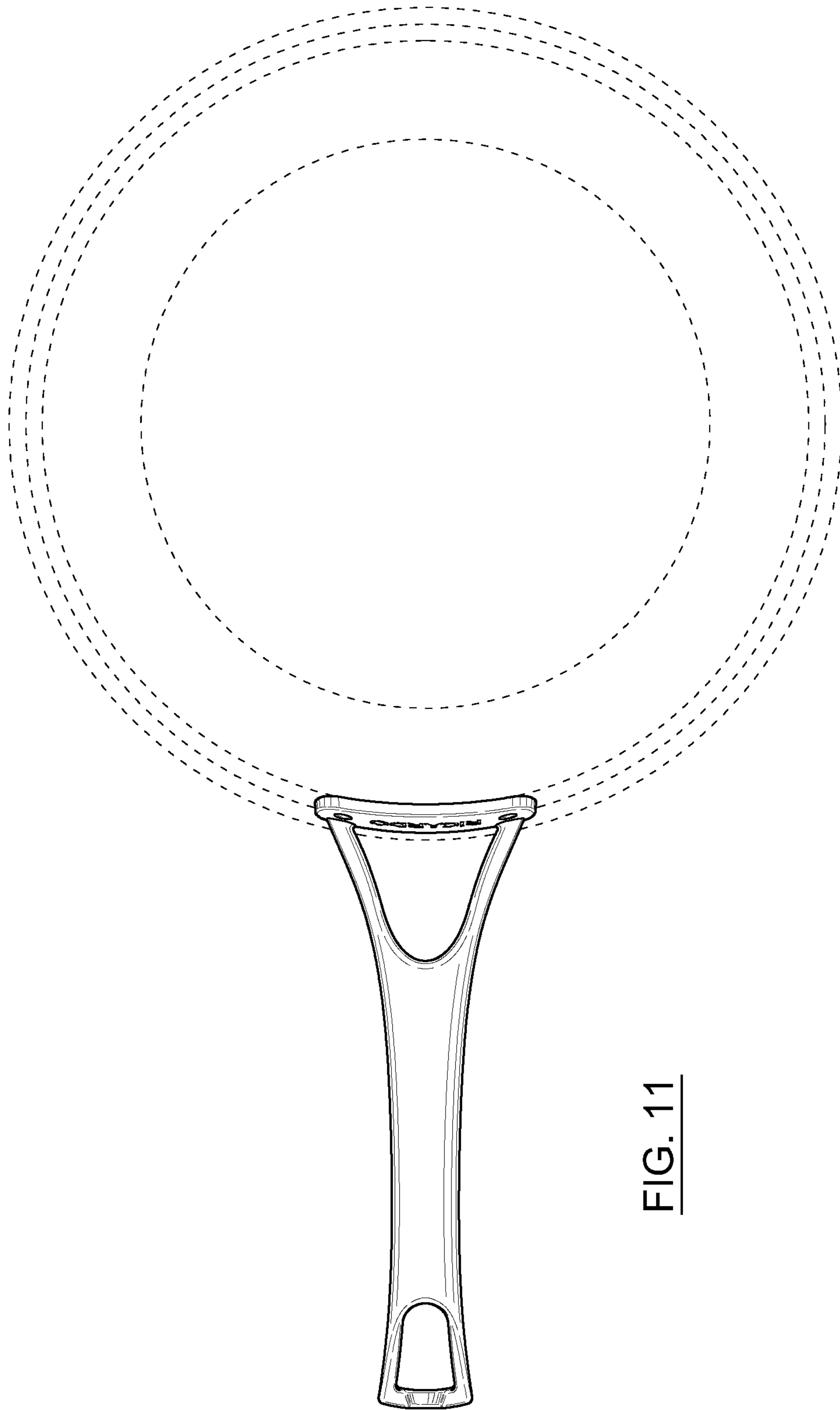


FIG. 11

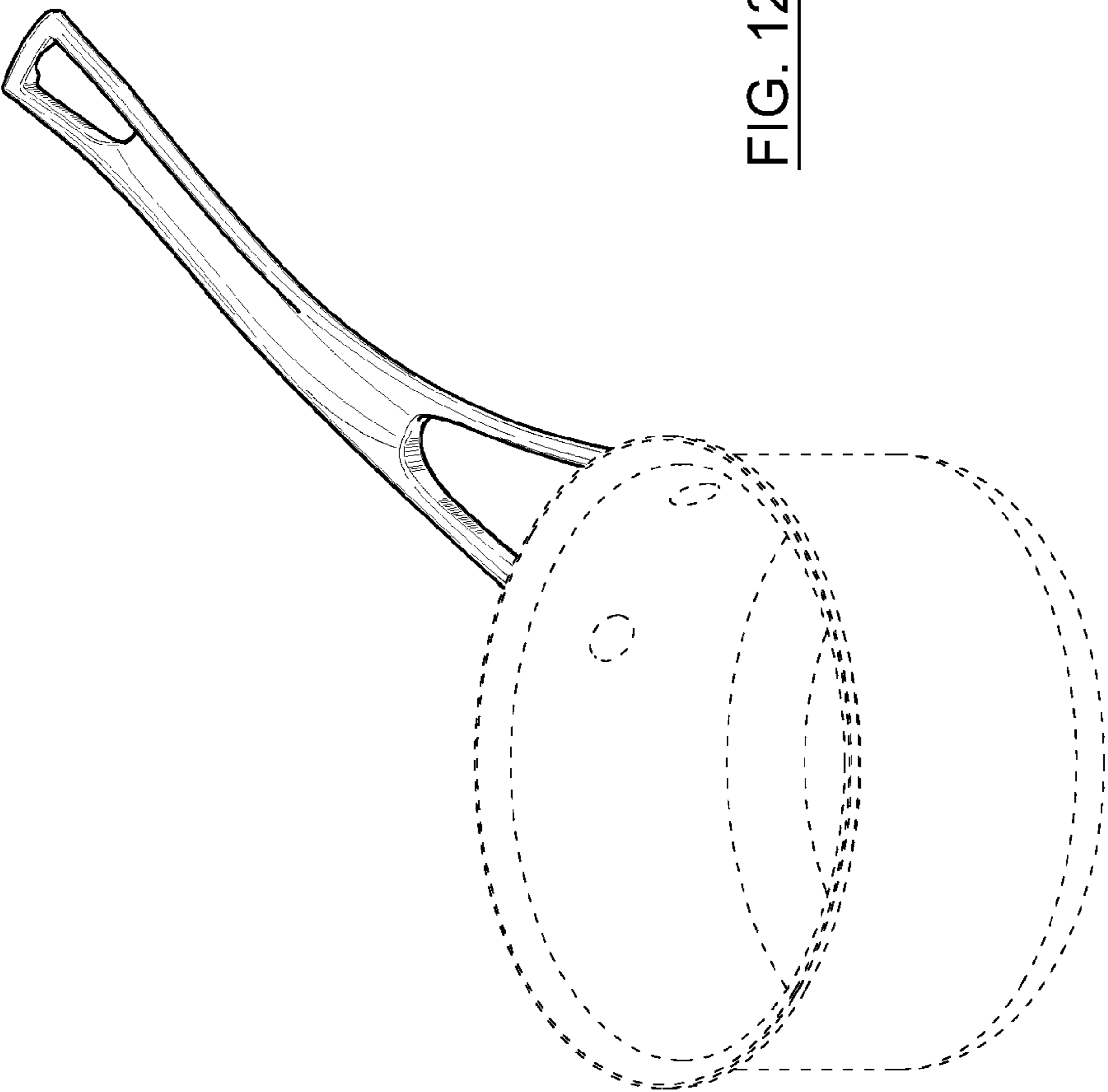


FIG. 12

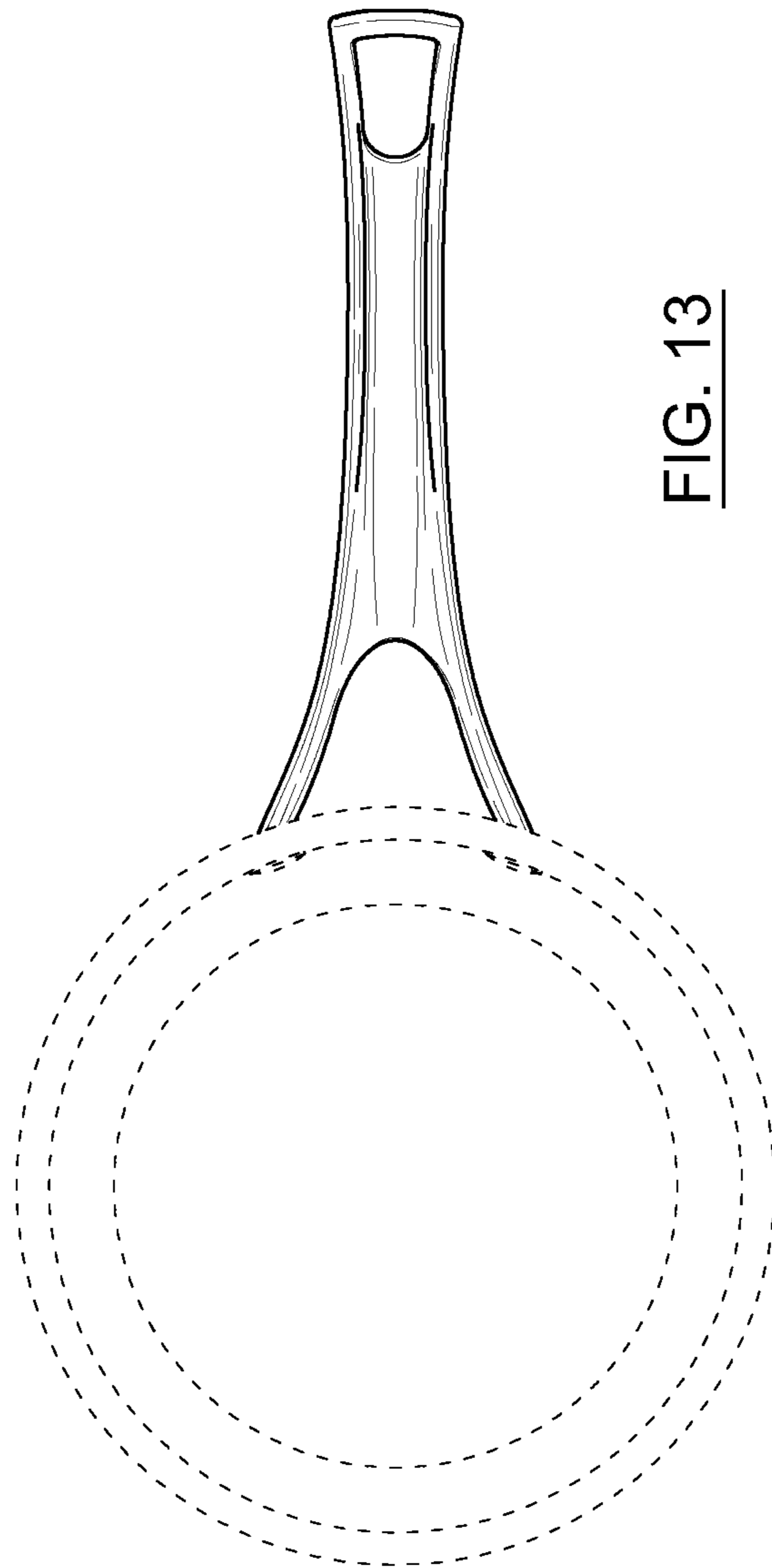


FIG. 13

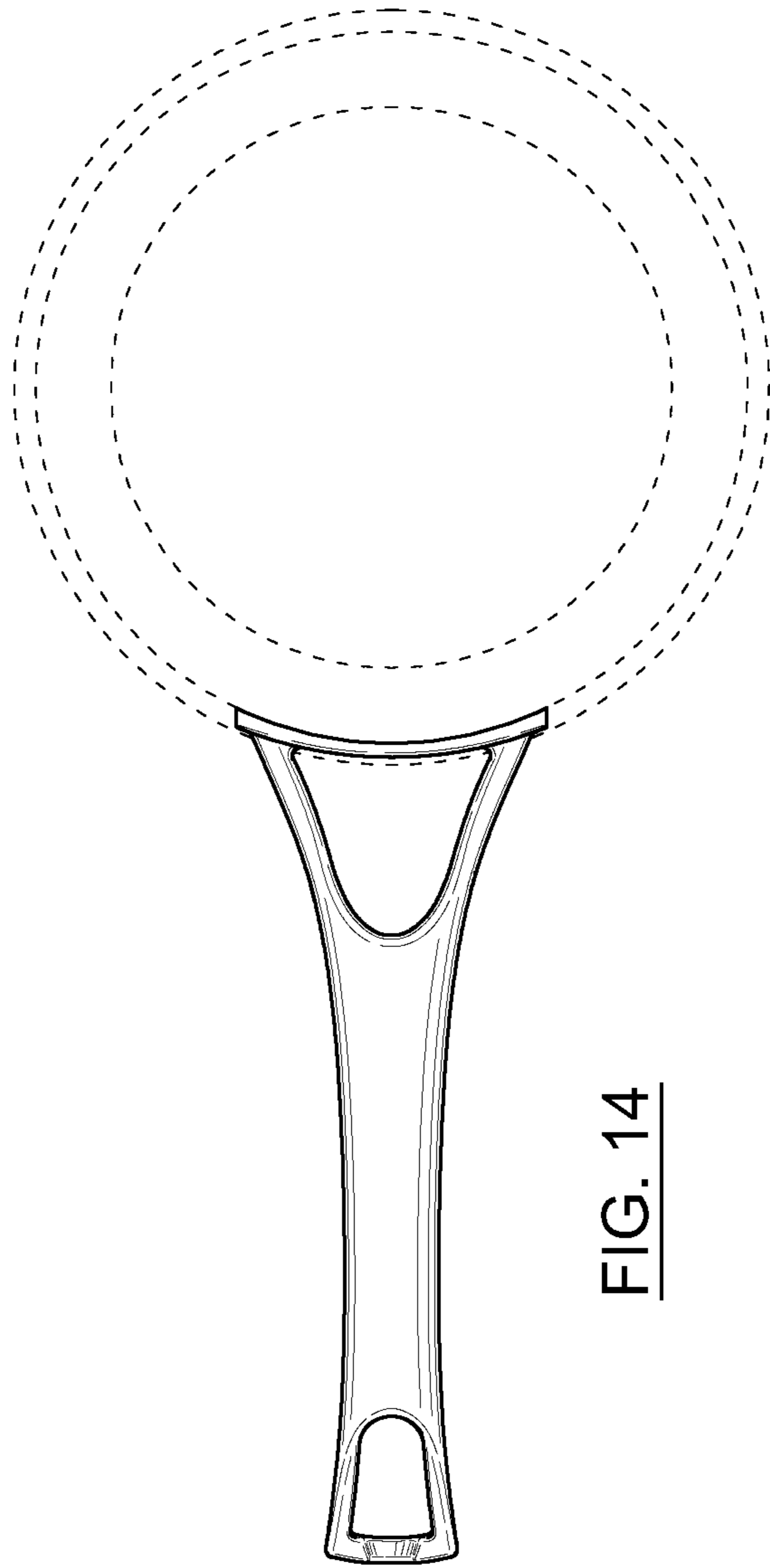


FIG. 14

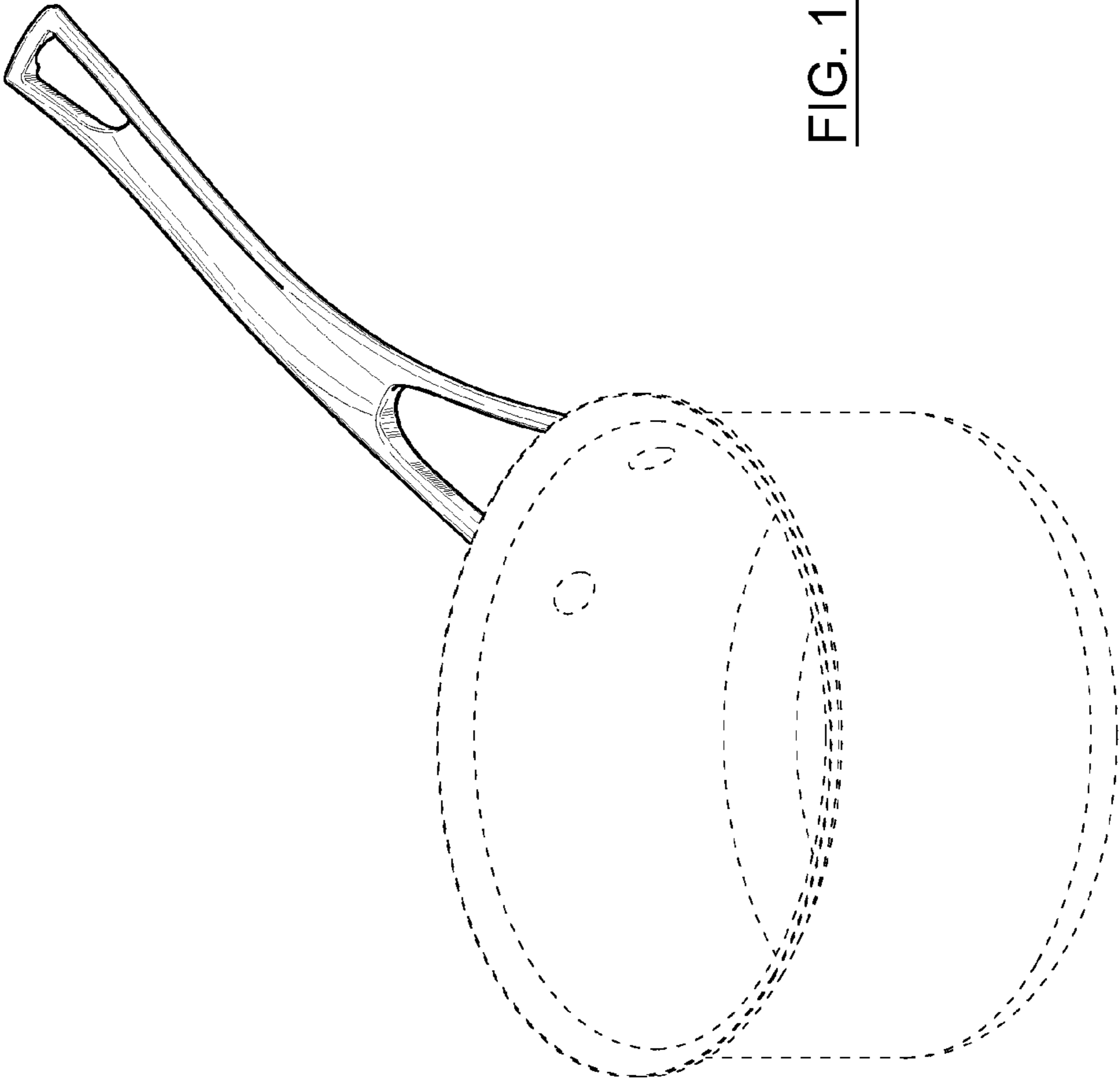


FIG. 15

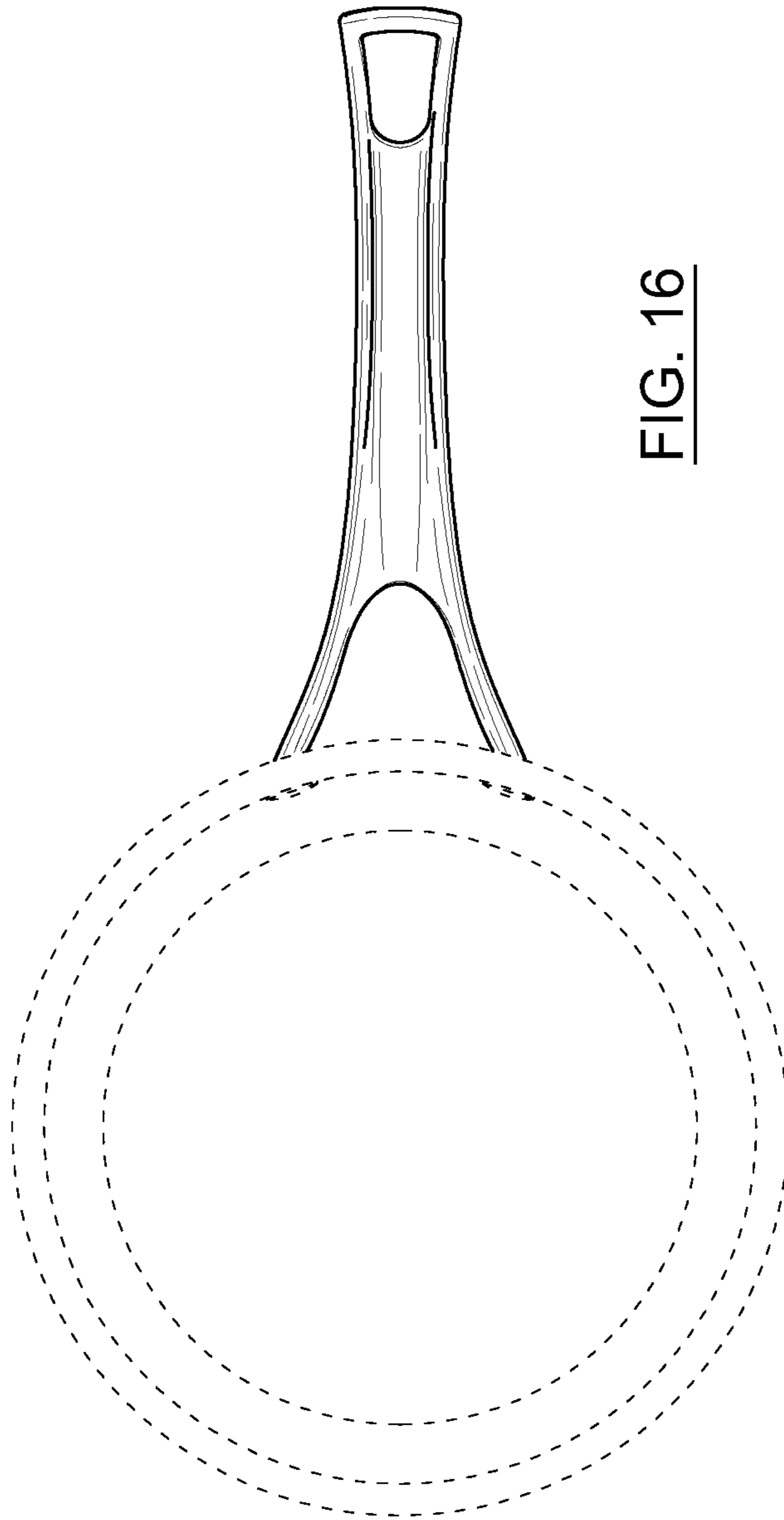


FIG. 16

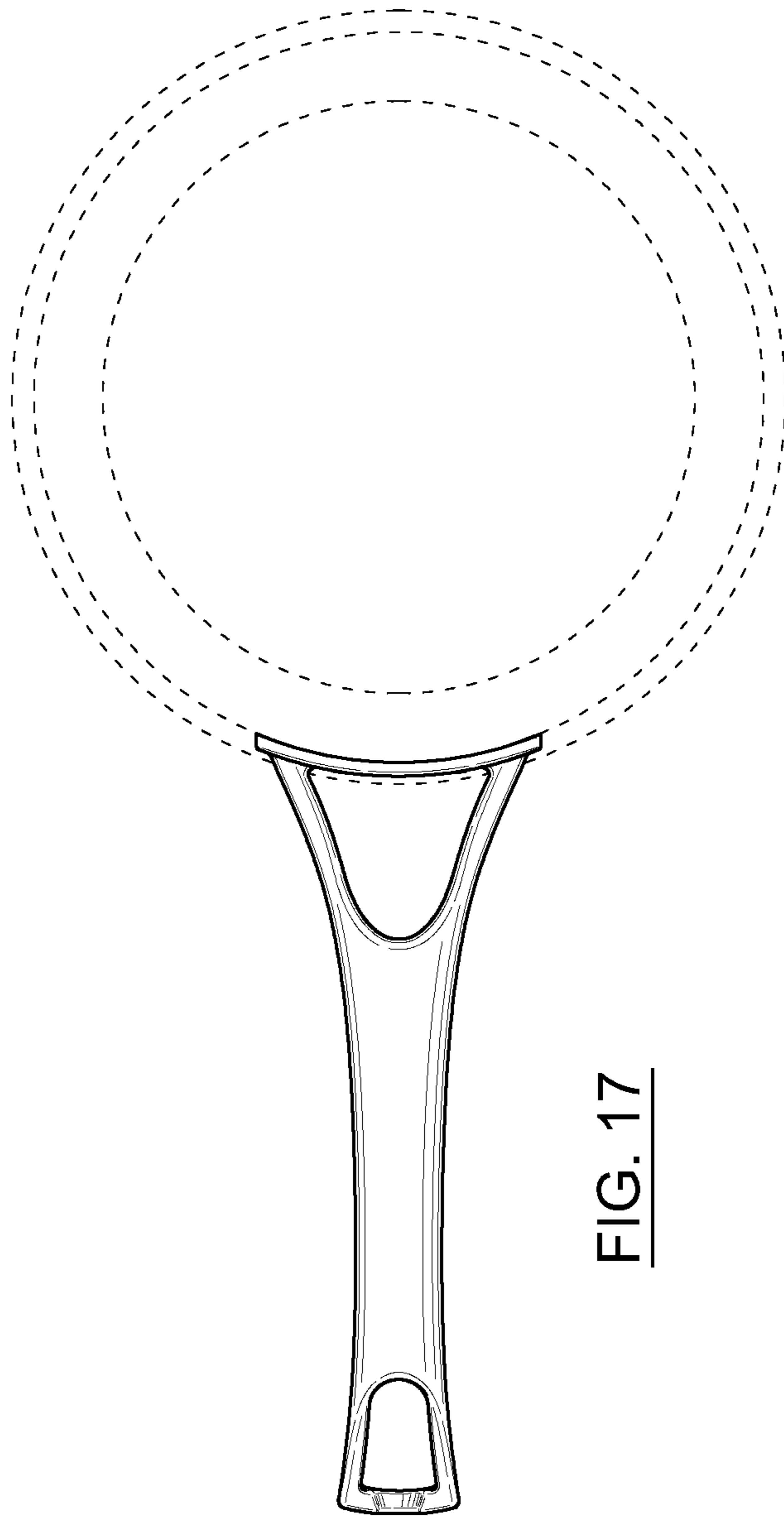


FIG. 17

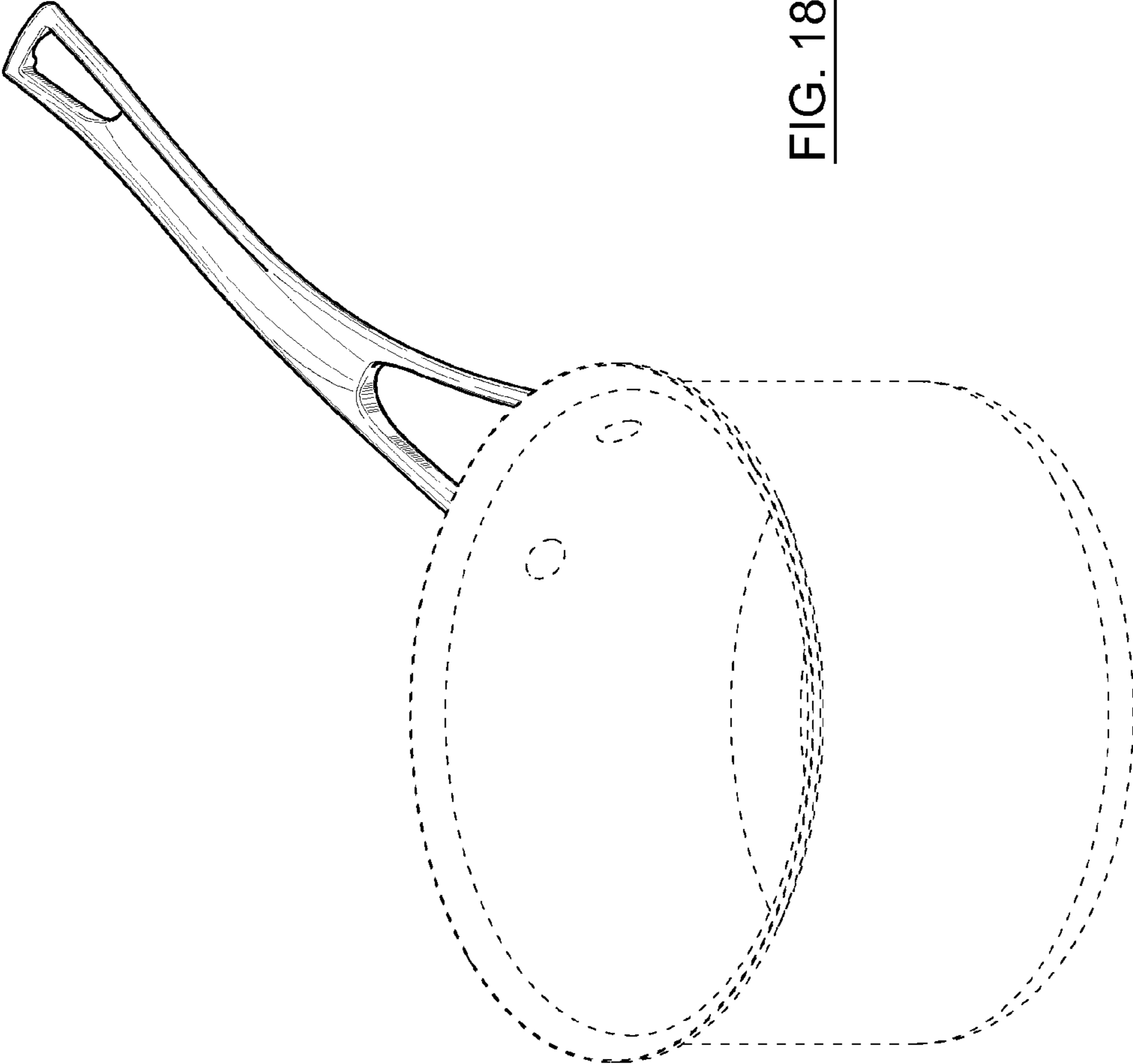


FIG. 18

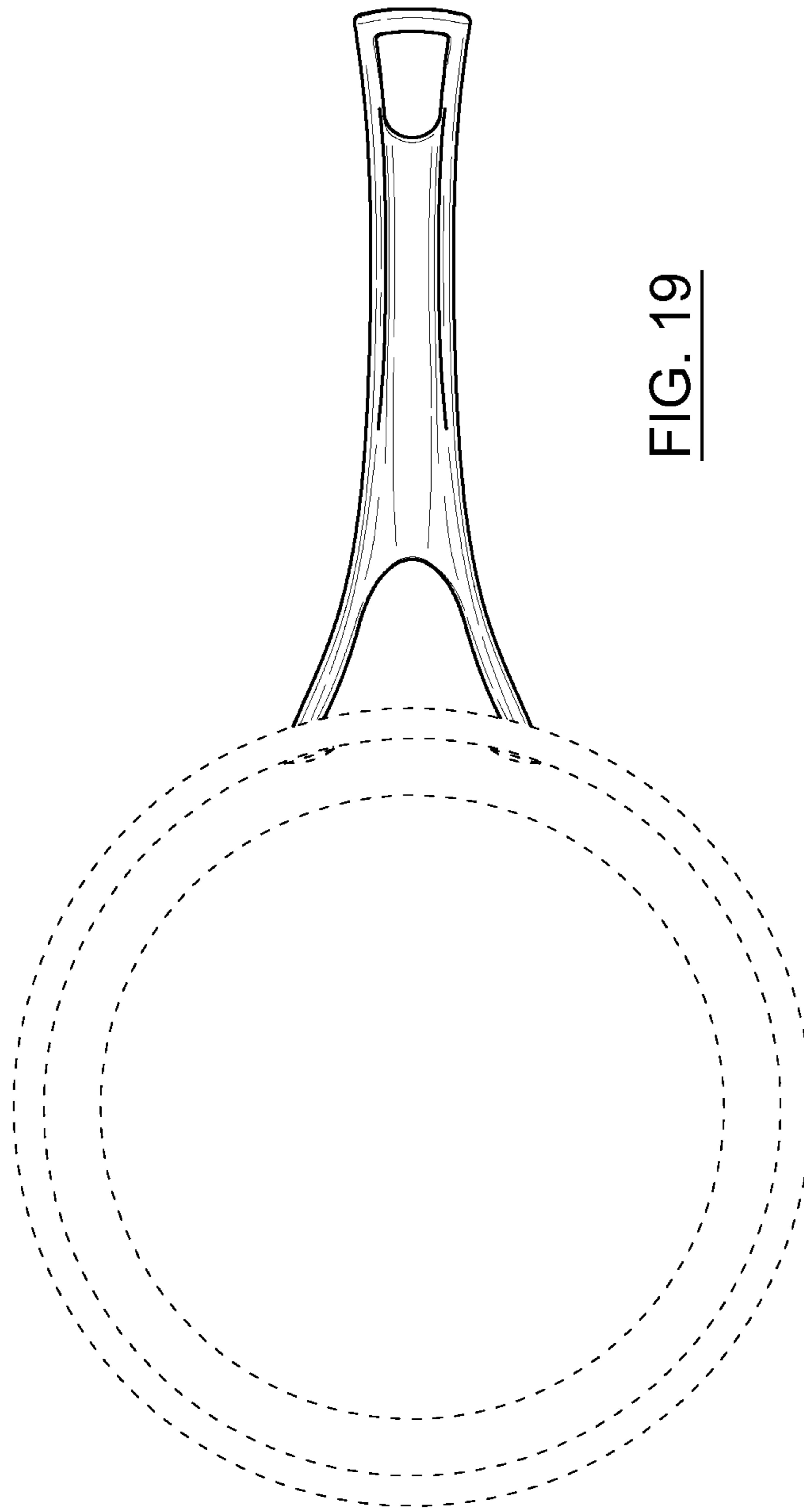


FIG. 19

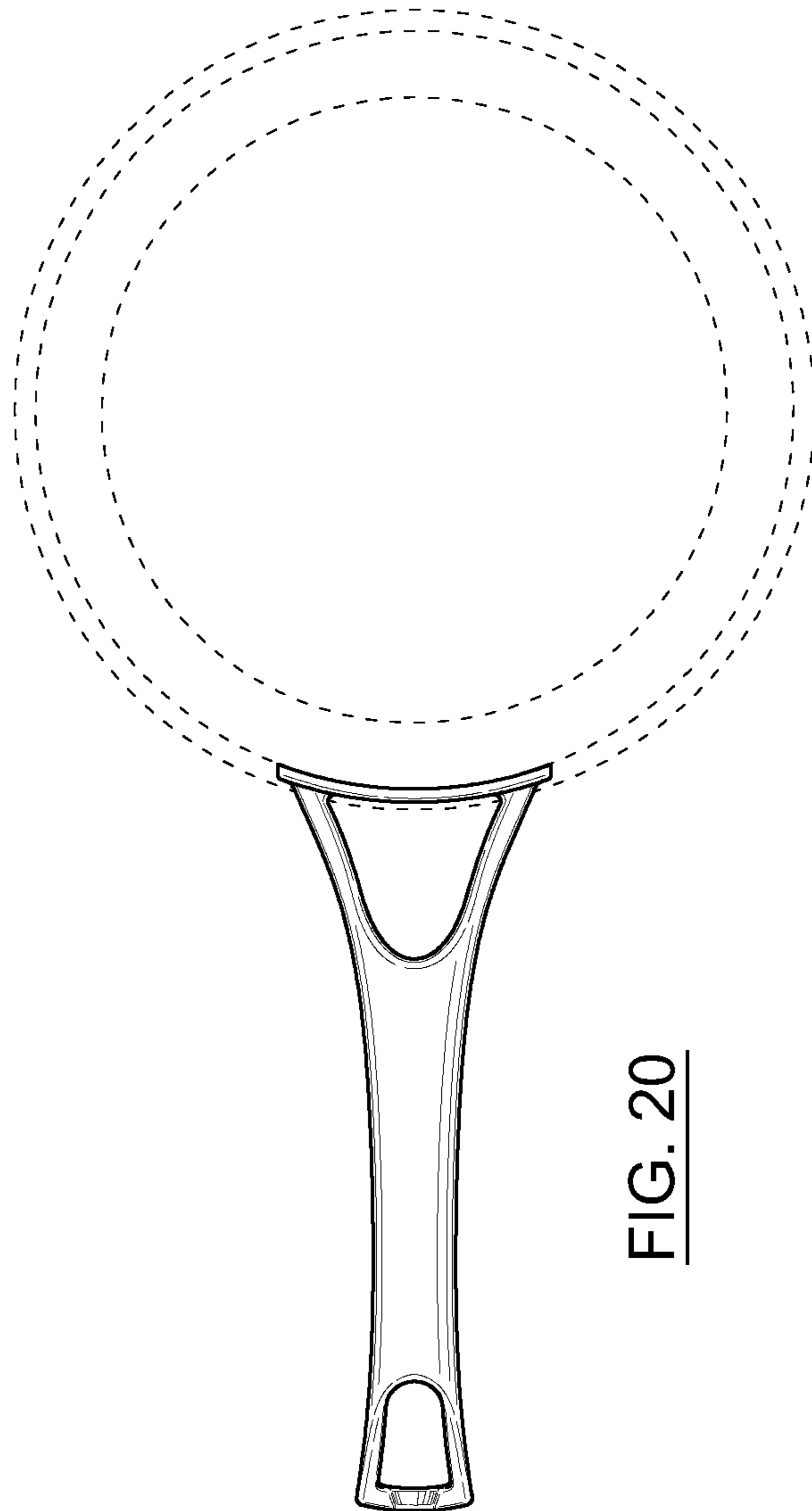


FIG. 20

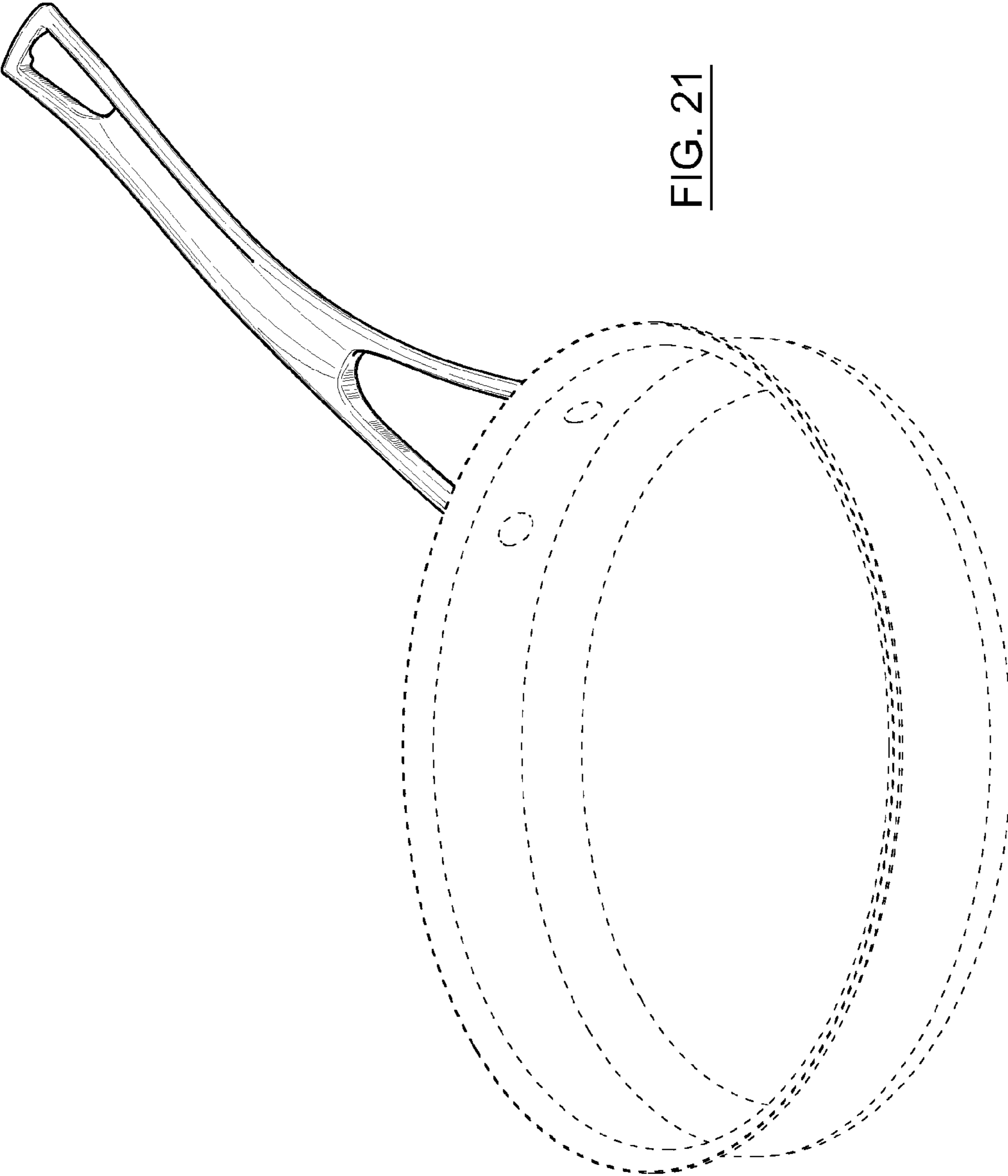


FIG. 21

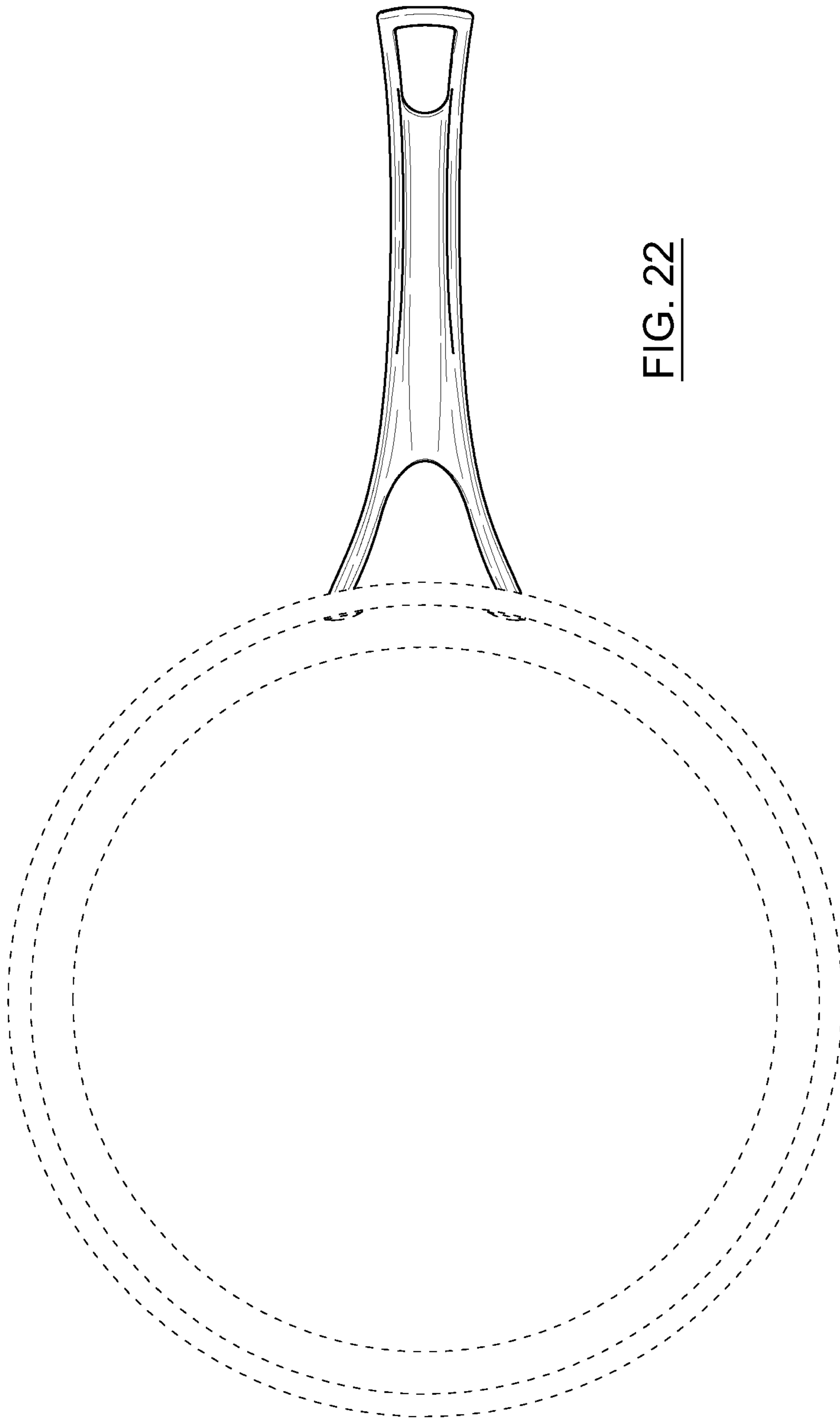


FIG. 22

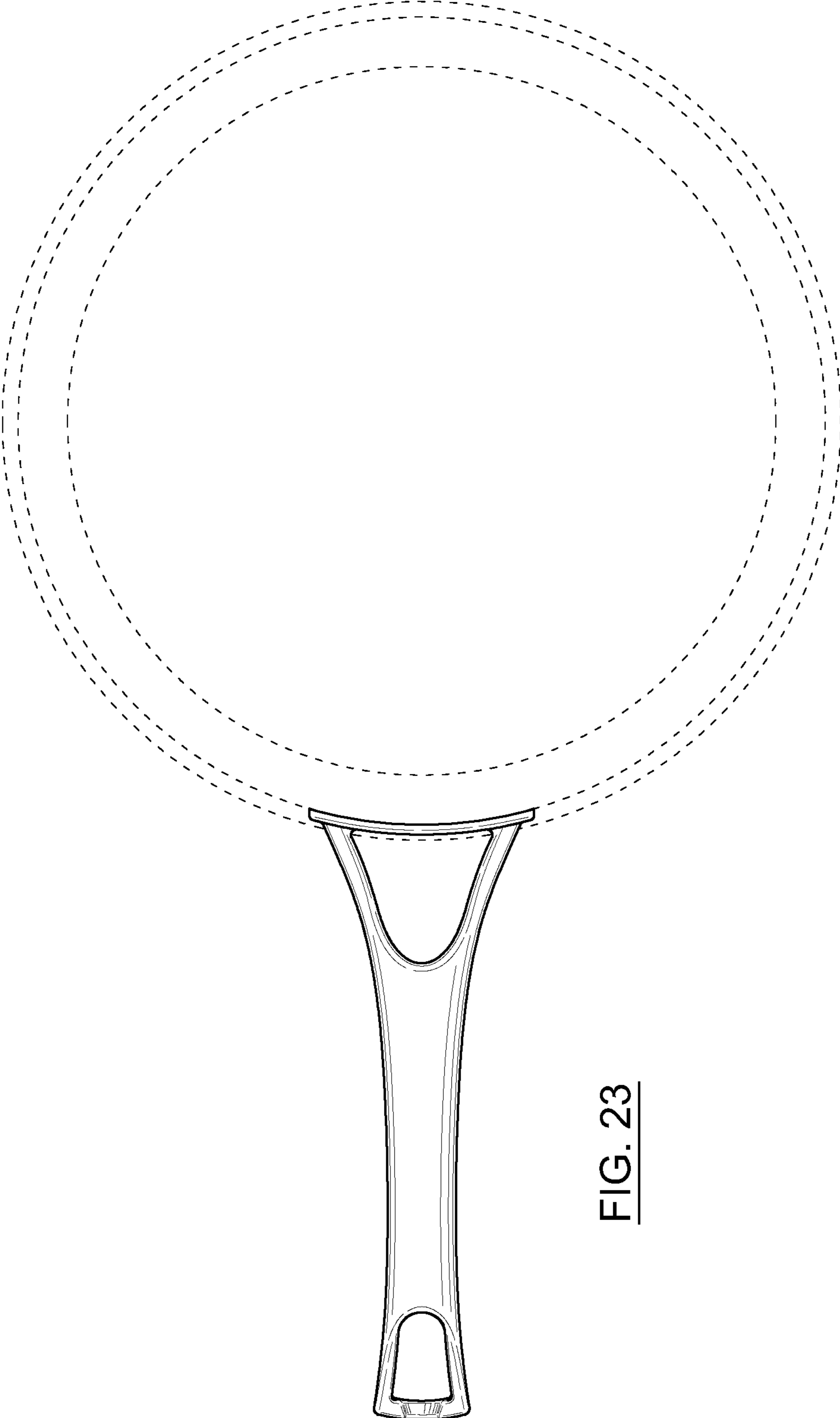


FIG. 23