



US00D696058S

(12) **United States Design Patent**
Crockett, Jr.

(10) **Patent No.:** **US D696,058 S**
(45) **Date of Patent:** **** Dec. 24, 2013**

(54) **TACO MOLD**

(71) Applicant: **George A. Crockett, Jr.**, Winchester, CA (US)

(72) Inventor: **George A. Crockett, Jr.**, Winchester, CA (US)

(**) Term: **14 Years**

(21) Appl. No.: **29/454,776**

(22) Filed: **May 14, 2013**

Related U.S. Application Data

(63) Continuation of application No. 12/462,679, filed on Aug. 7, 2009, now abandoned.

(51) **LOC (9) Cl.** **07-02**

(52) **U.S. Cl.**
USPC **D7/354; D7/356**

(58) **Field of Classification Search**
USPC D1/122; D7/323, 329–332, 337–339, D7/346–347, 350.1–350.4, 353–367, D7/391–395, 402–406, 538, 542–543, 665, D7/687; 99/324–327, 330–343, 369, 366, 99/400–418, 422, 425–426, 444, 483; 126/37 R, 41 R, 261, 378.1; 219/386–387, 400, 405, 429–442, 219/452.11, 521–525, 620–624, 725, 219/730–735; 220/23.88, 314–315, 485, 220/573.1–573.5, 592.16, 912; 249/120; 426/438, 441, 523

See application file for complete search history.

(56) **References Cited**

U.S. PATENT DOCUMENTS

902,181 A 10/1908 Tidow
2,020,349 A 11/1935 Bennett et al.

(Continued)

Primary Examiner — Ricky Pham

(74) *Attorney, Agent, or Firm* — Montgomery Patent & Design; Robert C. Montgomery

(57) **CLAIM**

The ornamental design for a taco mold, as shown and described.

DESCRIPTION

FIG. 1 is an exploded isometric view of a taco mold illustrating an inner mold portion, an outer mold portion, an inner mold handle, and an outer mold handle in juxtaposition to each other;

FIG. 2 is an exploded isometric view of the taco mold illustrating the inner mold portion with the inner mold handle attached and the outer mold portion with the outer mold handle attached;

FIG. 3 is a front view of the outer mold portion of the taco mold;

FIG. 4 is a rear view of the design in FIG. 3;

FIG. 5 is a left-hand side view of the design in FIG. 3, wherein a right-hand side view is a mirror image of the left-hand side view;

FIG. 6 is a top view of the design in FIG. 3;

FIG. 7 is a bottom view of the design in FIG. 3;

FIG. 8 is a front view of the inner mold portion of the taco mold;

FIG. 9 is a rear view of the design in FIG. 8;

FIG. 10 is a left-hand side view of the design in FIG. 8, wherein a right-hand side view is a mirror image of the left-hand side view;

FIG. 11 is a top view of the design in FIG. 8;

FIG. 12 is a bottom view of the design in FIG. 8;

FIG. 13 is a front view of the inner mold handle of the taco mold;

FIG. 14 is a rear view of the design in FIG. 13;

FIG. 15 is a left-hand side view of the design in FIG. 13, wherein a right-hand side view is a mirror image of the left-hand side view;

FIG. 16 is top view of the design in FIG. 13, wherein a bottom view is a mirror image of the top view;

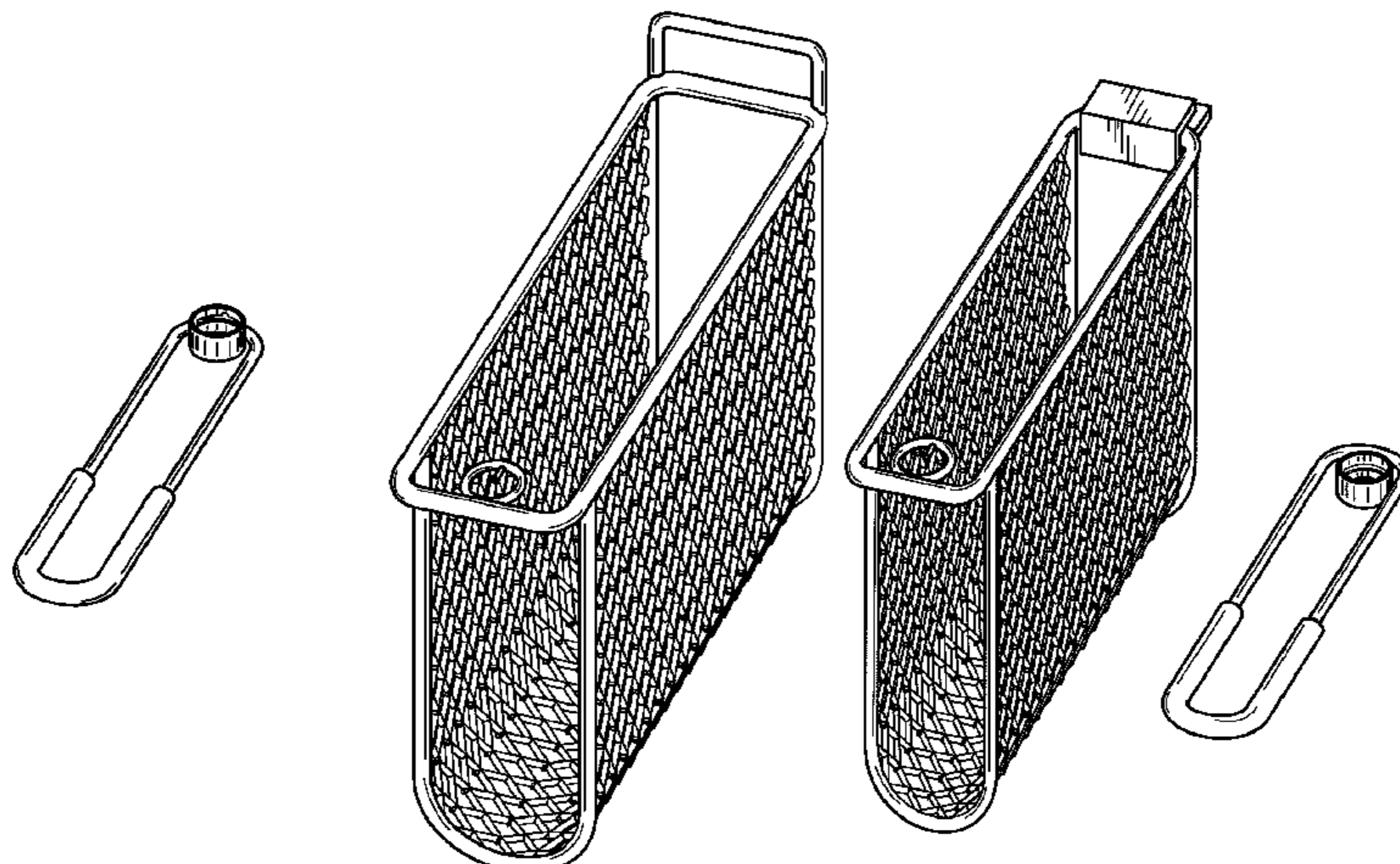
FIG. 17 is a front view of the outer mold handle of the taco mold;

FIG. 18 is a rear view of the design in FIG. 17;

FIG. 19 is a left-hand side view of the design in FIG. 17, wherein a right-hand side view is a mirror image of the left-hand side view; and,

FIG. 20 is a top view of the design in FIG. 17, wherein a bottom view is a mirror image of the top view.

1 Claim, 14 Drawing Sheets



(56)

References Cited

U.S. PATENT DOCUMENTS

2,635,528 A 4/1953 Torres
 2,664,812 A * 1/1954 Molina 249/120
 3,020,826 A 2/1962 Silva
 3,511,172 A * 5/1970 Jones 249/120
 3,555,993 A 1/1971 Garcia
 3,759,165 A 9/1973 Wallace
 3,948,160 A 4/1976 Stickle
 4,091,720 A 5/1978 Wheeler
 4,173,926 A 11/1979 Brignall
 4,181,073 A 1/1980 Chapa, Sr.
 4,530,275 A 7/1985 Stickle et al.
 4,535,688 A 8/1985 Bentson
 D281,942 S 12/1985 Bentson
 D299,300 S 1/1989 Lie

4,854,227 A * 8/1989 Koopman 99/416
 D310,946 S 10/1990 White
 4,974,502 A * 12/1990 Murdock 99/426
 D326,592 S 6/1992 Denton
 5,400,704 A 3/1995 Huston
 5,628,245 A 5/1997 Baze
 5,937,743 A 8/1999 Overstreet
 6,073,544 A 6/2000 Stickle
 6,591,741 B1 * 7/2003 Martin 99/408
 6,979,803 B1 * 12/2005 Webb 219/405
 7,341,162 B2 * 3/2008 Svabek et al. 220/485
 7,500,427 B2 * 3/2009 Rosenzweig 99/407
 D607,287 S * 1/2010 Beasley et al. D7/687
 7,775,156 B2 * 8/2010 Sus et al. 99/410
 D655,886 S * 3/2012 Kovich et al. D1/122
 2002/0017198 A1 * 2/2002 Gauthier et al. 99/330
 2005/0204929 A1 * 9/2005 Rosenzweig 99/403

* cited by examiner

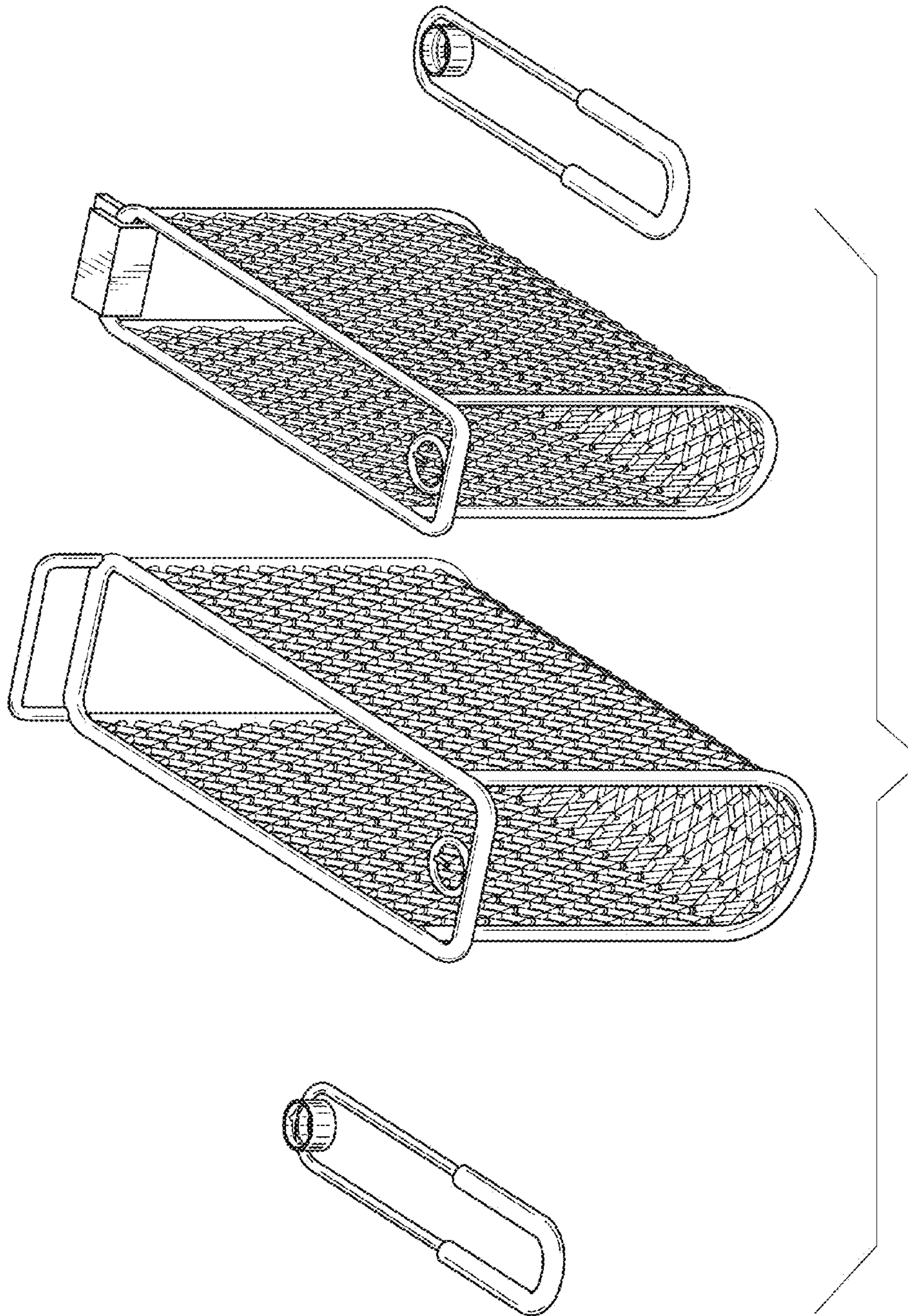


Fig. 1

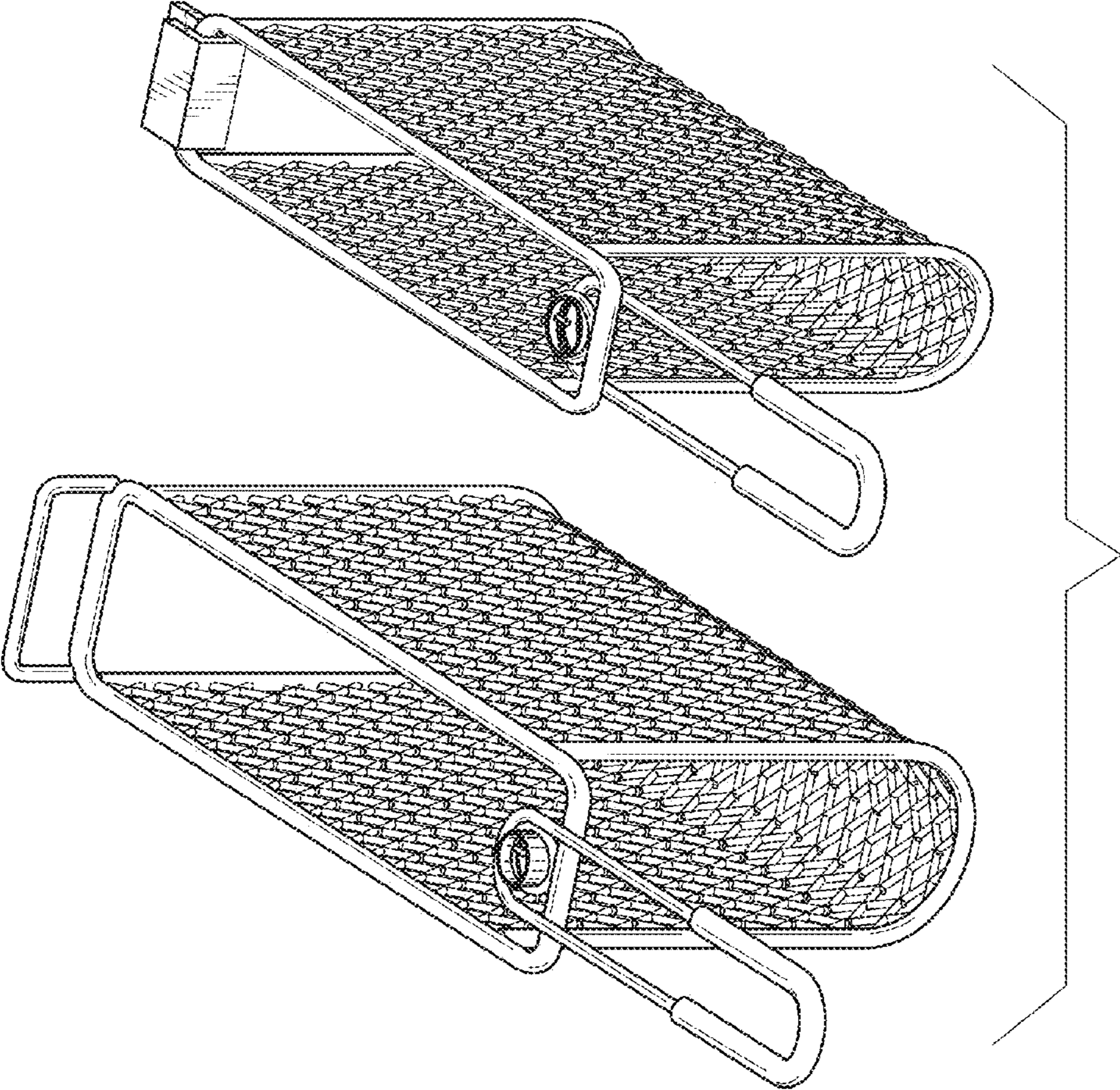


Fig. 2

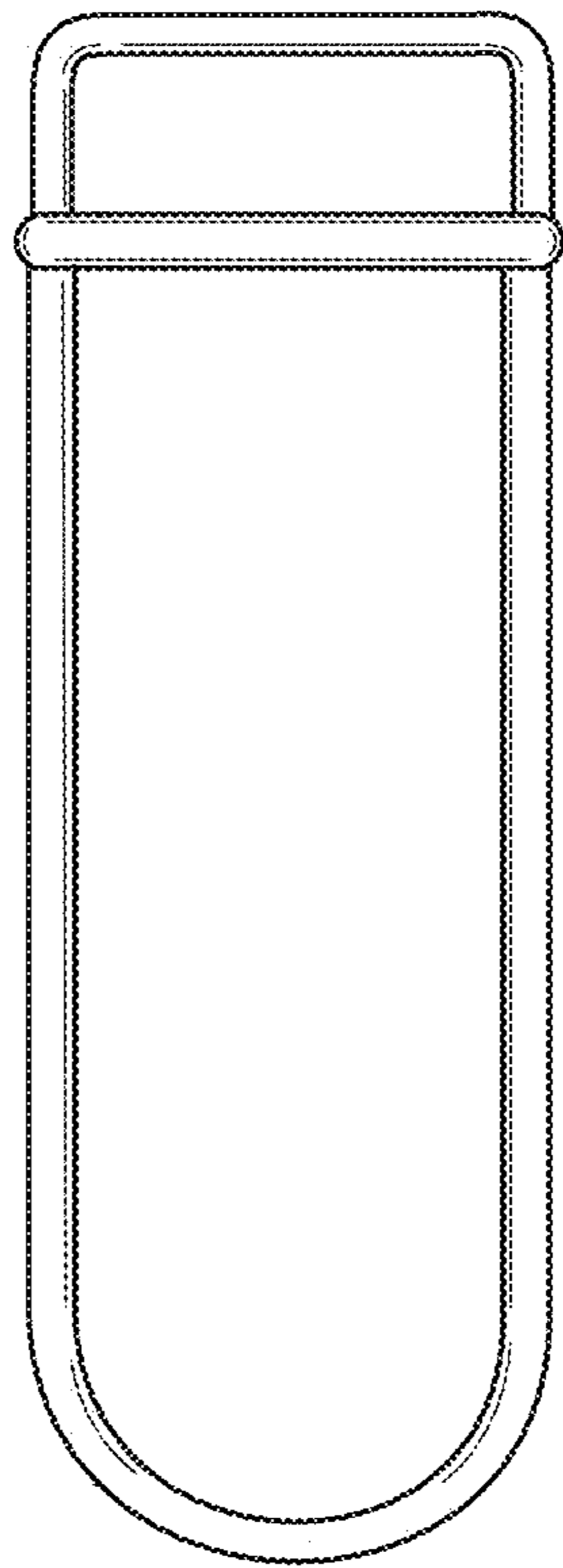


Fig. 3

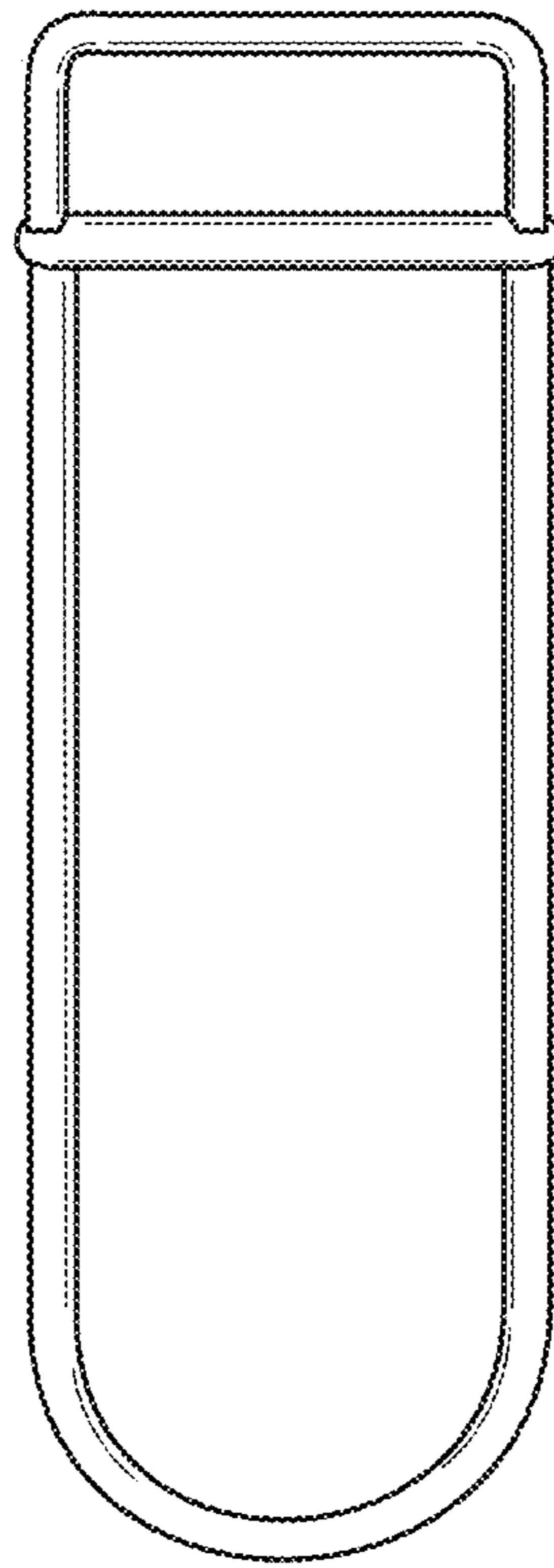


Fig. 4

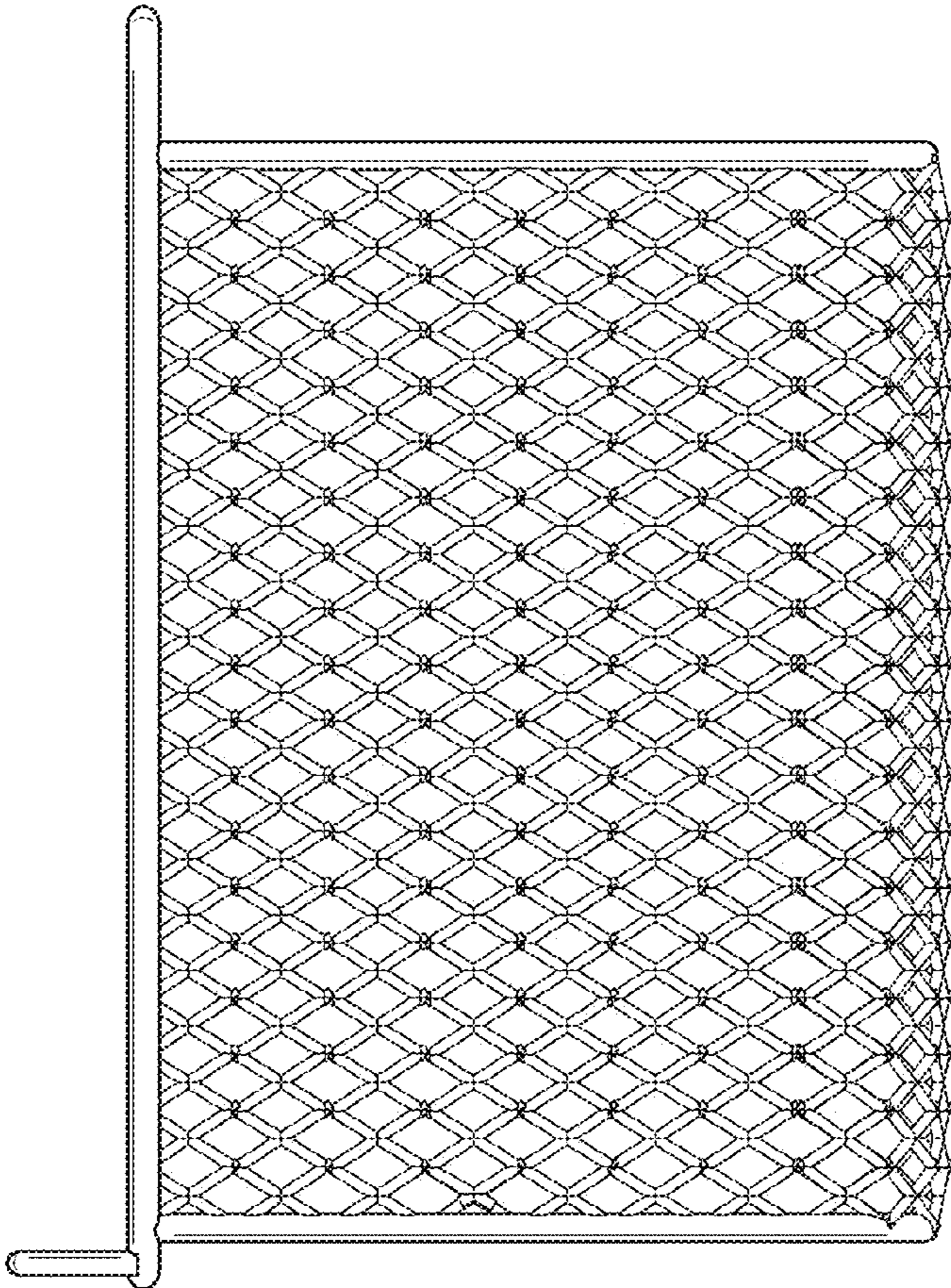


Fig. 5

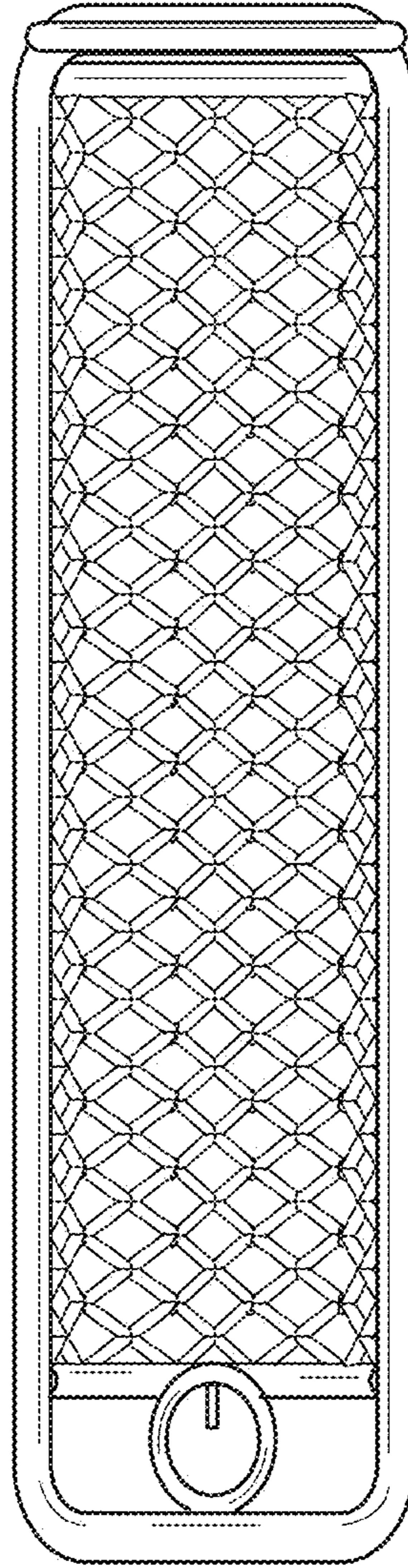


Fig. 6

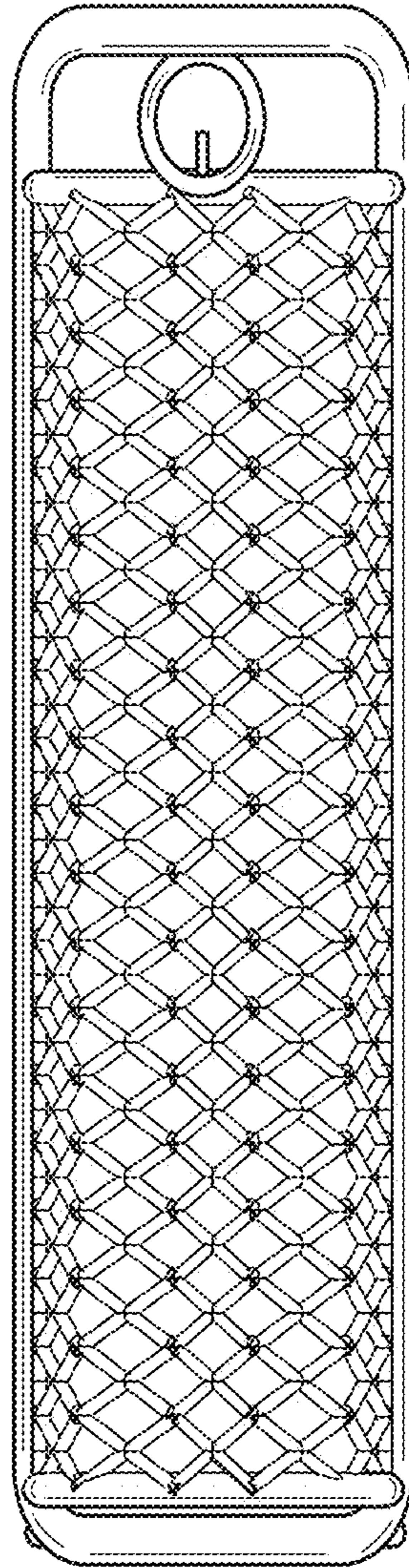


Fig. 7

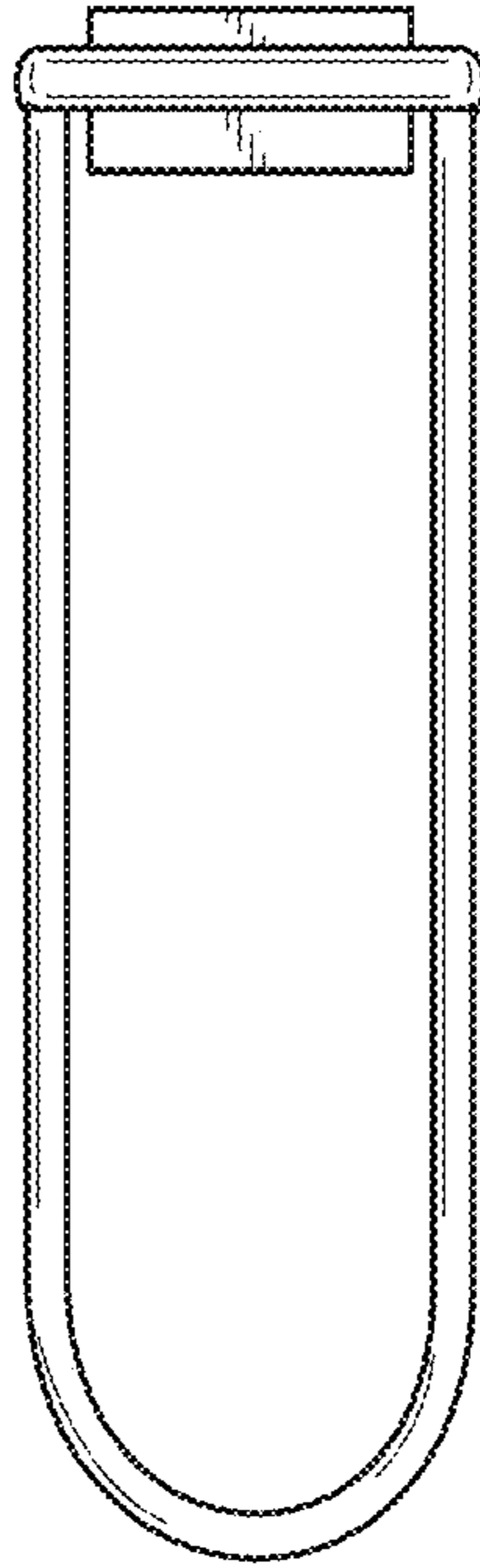


Fig. 8

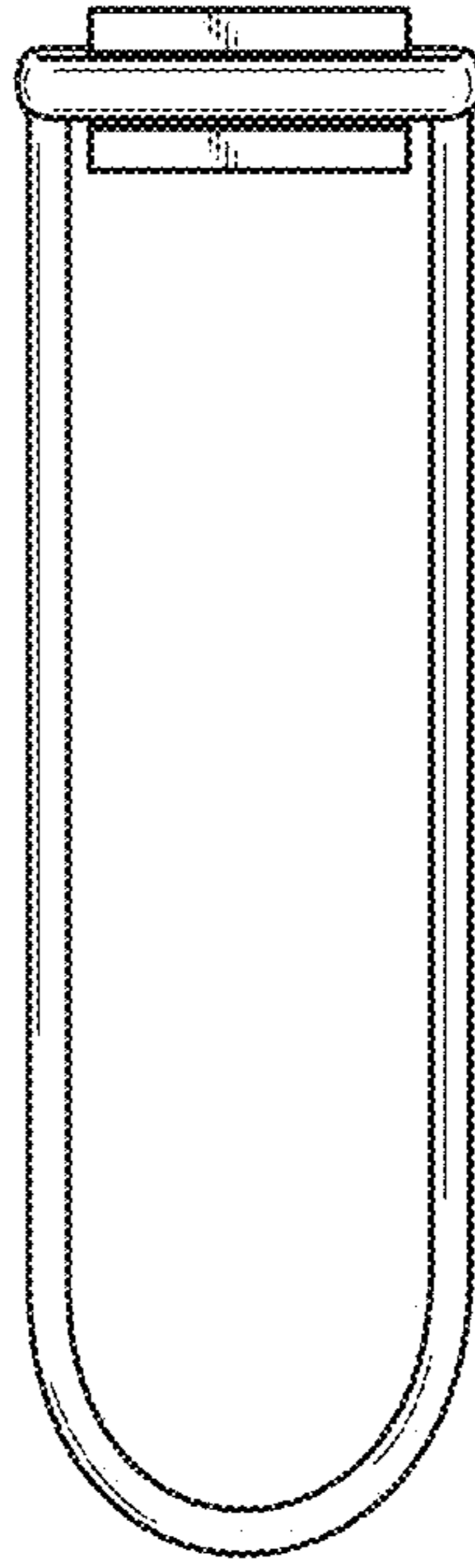


Fig. 9

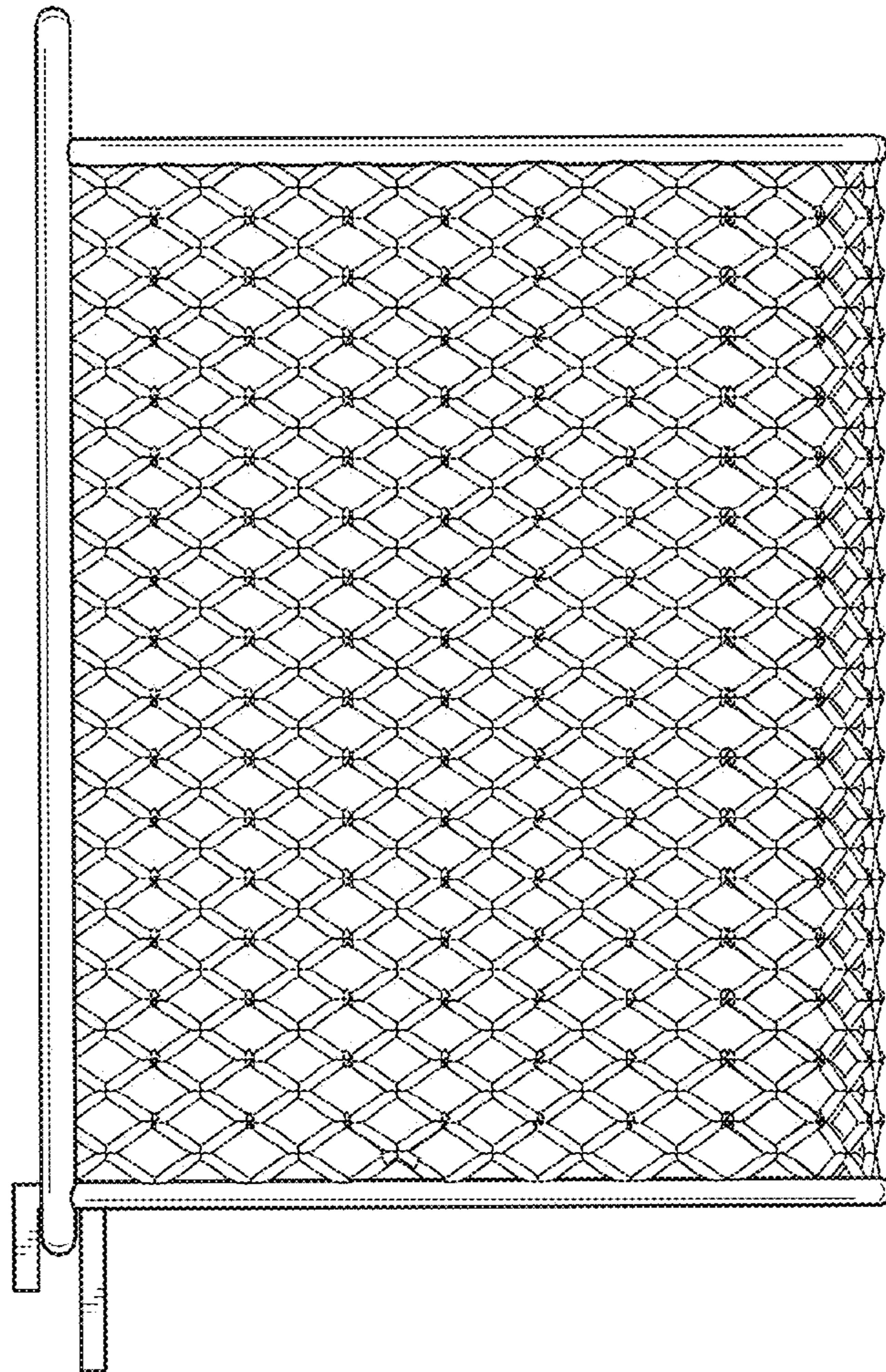


Fig. 10

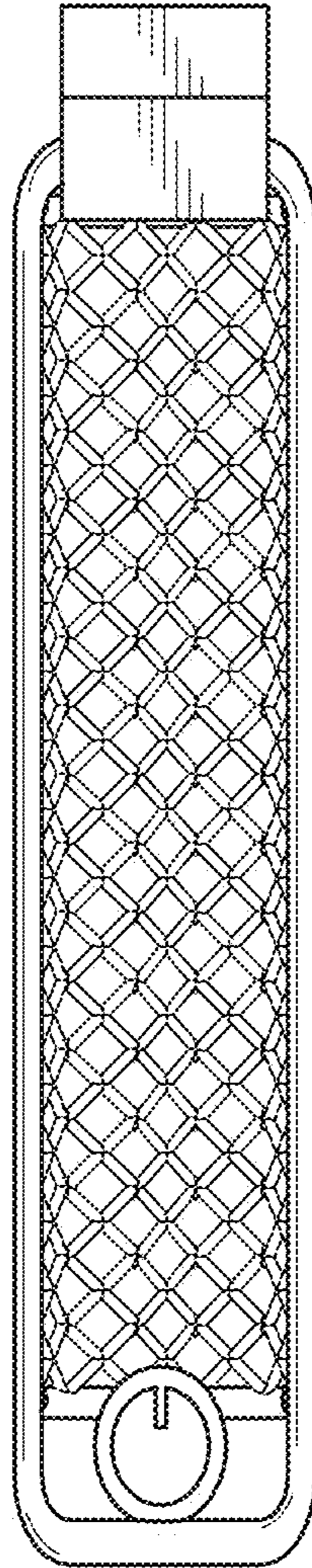


Fig. 11

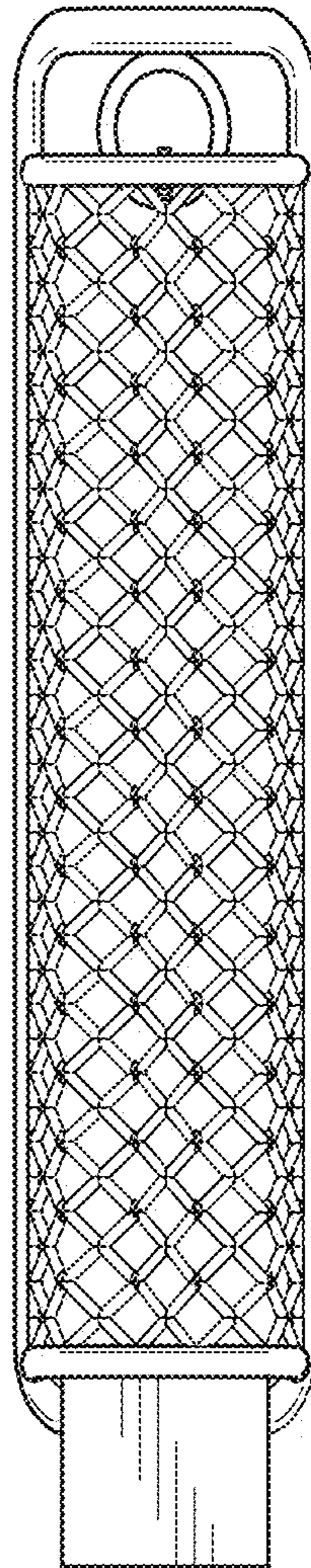


Fig. 12



Fig. 13



Fig. 14

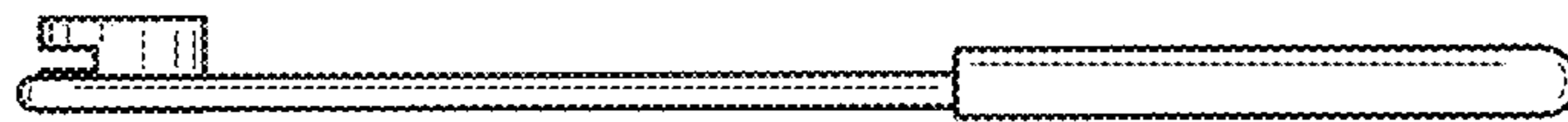


Fig. 15

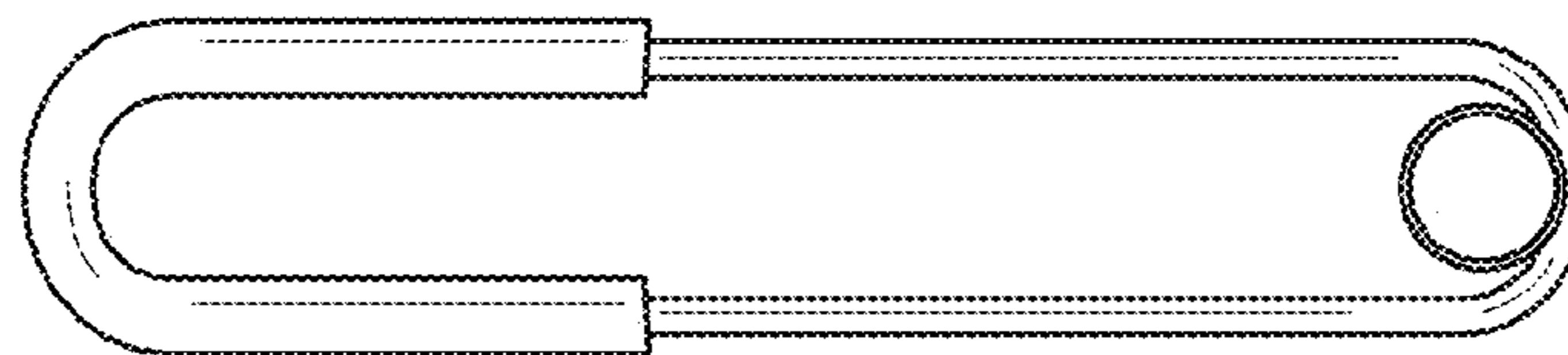


Fig. 16



Fig. 17



Fig. 18

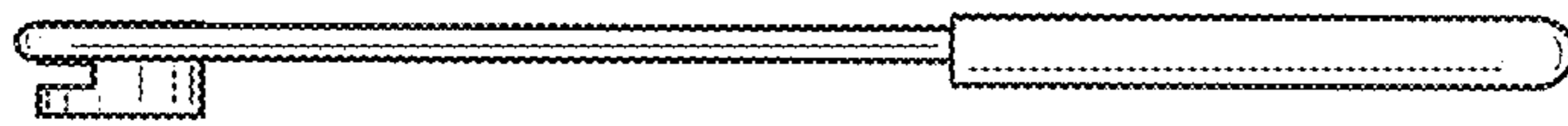


Fig. 19

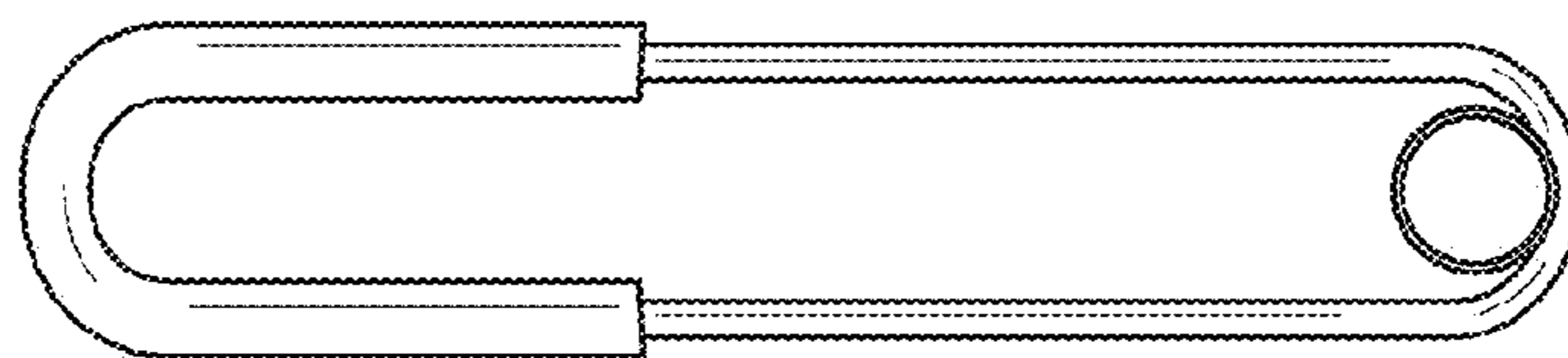


Fig. 20