



US00D696057S

(12) **United States Design Patent**
Green et al.

(10) **Patent No.:** **US D696,057 S**

(45) **Date of Patent:** **** *Dec. 24, 2013**

(54) **PAN**

(75) Inventors: **Christopher Seay Green**, Affton, MO (US); **Robert J. Reese**, Edwardsville, MO (US); **Ralph Lee Macy**, St. Peters, MO (US)

(73) Assignee: **Duke Manufacturing Co.**, St. Louis, MO (US)

(*) Notice: This patent is subject to a terminal disclaimer.

(**) Term: **14 Years**

(21) Appl. No.: **29/422,085**

(22) Filed: **May 16, 2012**

(51) **LOC (9) Cl.** **07-02**

(52) **U.S. Cl.**
USPC **D7/354**

(58) **Field of Classification Search**

USPC D7/323, 329–331, 337, 339, 346–347, D7/350.1–350.4, 352–367, 388, 391, 393, D7/395, 402, 407–410, 538, 542, 552.1, D7/552.2, 586, 602, 672–674; D13/119; 99/324–325, 331–332, 337–349, 358, 99/369–376, 380, 389, 400–418, 422–426, 99/444–446, 483; 126/9 B, 37 R, 261, 126/378.1; 206/501–505, 507–508; 219/386, 400, 405, 429–442, 450.1, 219/452.13, 460.1, 620–624, 725, 219/730–735; 220/4.24, 23.8, 315, 220/573.1–573.5, 629, 743, 756, 769, 912; 426/438, 441, 549; D30/161; D34/1

See application file for complete search history.

(56) **References Cited**

U.S. PATENT DOCUMENTS

D246,342 S 11/1977 Yonkers
4,294,371 A * 10/1981 Davis 220/4.24
D262,104 S * 12/1981 Simpson D13/119
D287,559 S * 1/1987 Daenen et al. D7/586

(Continued)

Primary Examiner — Ricky Pham

(74) *Attorney, Agent, or Firm* — Senniger Powers, LLP

(57) **CLAIM**

The ornamental design for a pan, as shown and described.

DESCRIPTION

FIG. 1 is a perspective of a first embodiment of a pan of our new design;

FIG. 2 is a front elevation of the pan of FIG. 1, support structure below handles of the pan being shown in phantom, the rear elevation being a mirror image thereof;

FIG. 3 is a top view of the pan of FIG. 1;

FIG. 4 is a bottom view of the pan of FIG. 1, the support structure below the handles being shown in phantom;

FIG. 5 is a right side elevation of the pan of FIG. 1;

FIG. 6 is a left side elevation of the pan of FIG. 1;

FIG. 7 is a perspective of a second embodiment of a pan of our new design;

FIG. 8 is a front elevation of the pan of FIG. 7, support structure below handles of the pan being shown in phantom, the rear elevation being a mirror image thereof;

FIG. 9 is a top view of the pan of FIG. 7;

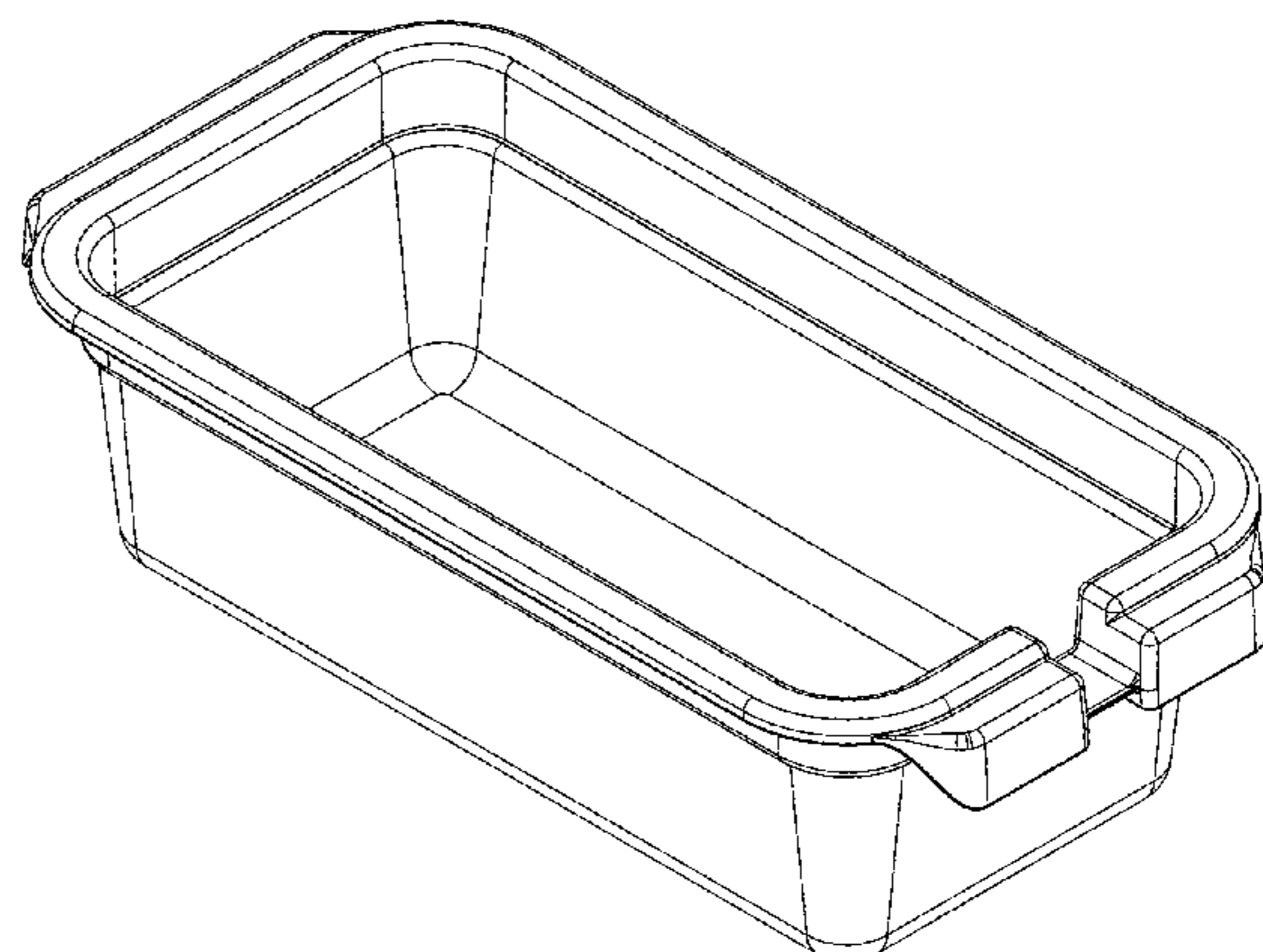
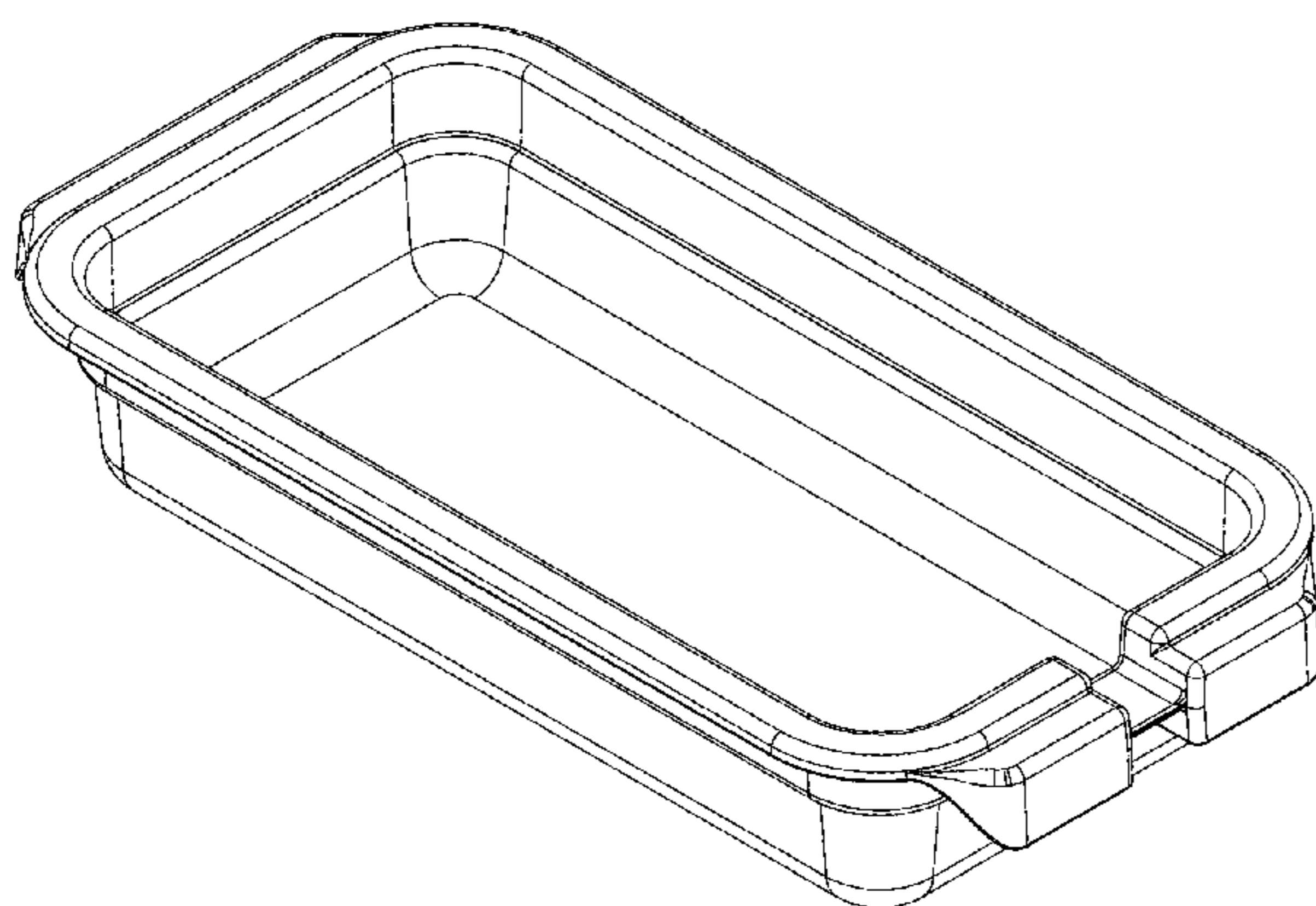
FIG. 10 is a bottom view of the pan of FIG. 7, the support structure below the handles being shown in phantom;

FIG. 11 is a right side elevation of the pan of FIG. 7; and,

FIG. 12 is a left side elevation of the pan of FIG. 7.

Features forming no part of the claimed design are illustrated in phantom.

1 Claim, 10 Drawing Sheets



(56)

References Cited

U.S. PATENT DOCUMENTS

4,660,734 A 4/1987 Heaney et al.
 4,828,112 A 5/1989 Vollrath et al.
 D333,944 S 3/1993 Denzin et al.
 D378,039 S * 2/1997 Ferris D7/602
 D417,361 S 12/1999 Mittmann et al.
 D417,367 S * 12/1999 Laib D7/602
 D448,133 S * 9/2001 Windle D34/1
 D457,784 S * 5/2002 Torniainen et al. D7/552.1
 D551,492 S * 9/2007 Schuler D7/354
 D575,095 S * 8/2008 Schreiber-Pethan et al. .. D7/354
 D578,352 S * 10/2008 Hauser D7/552.2
 D588,859 S * 3/2009 Simon et al. D7/354

D599,610 S * 9/2009 Logan D7/354
 D614,919 S * 5/2010 Carlson D7/602
 D631,706 S * 2/2011 Samartgis D7/602
 D631,707 S * 2/2011 Samartgis D7/602
 D644,885 S * 9/2011 Samartgis D7/602
 D644,886 S * 9/2011 Samartgis D7/602
 D647,372 S * 10/2011 Chhay D7/602
 D651,037 S * 12/2011 Moodie et al. D7/354
 D655,577 S * 3/2012 Samartgis D7/602
 D657,992 S * 4/2012 Moodie et al. D7/354
 D663,570 S * 7/2012 Sarnoff et al. D7/354
 D668,910 S * 10/2012 Sarnoff et al. D7/360
 D684,007 S * 6/2013 Dagan et al. D7/393
 D684,733 S * 6/2013 Altoon D30/161

* cited by examiner

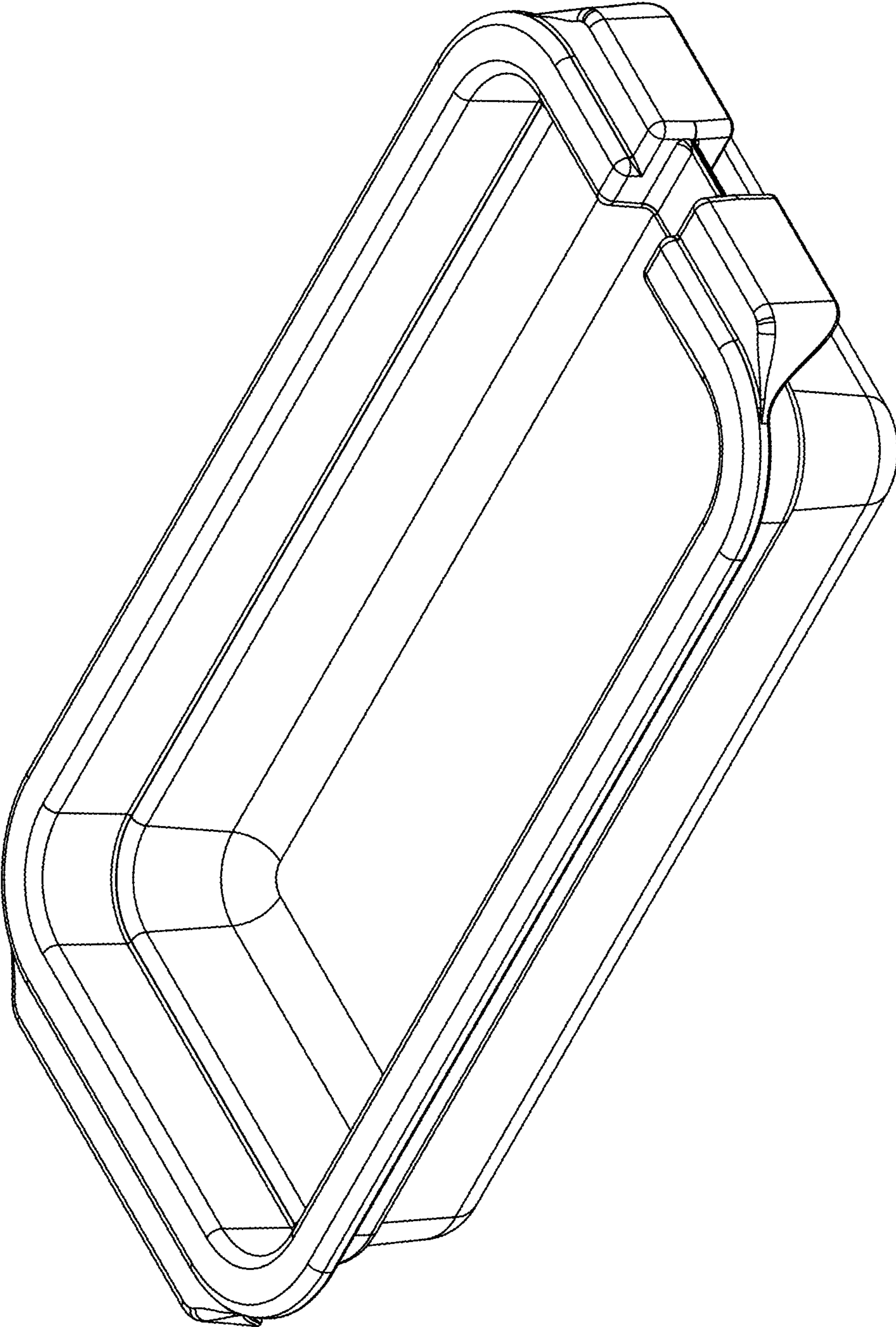
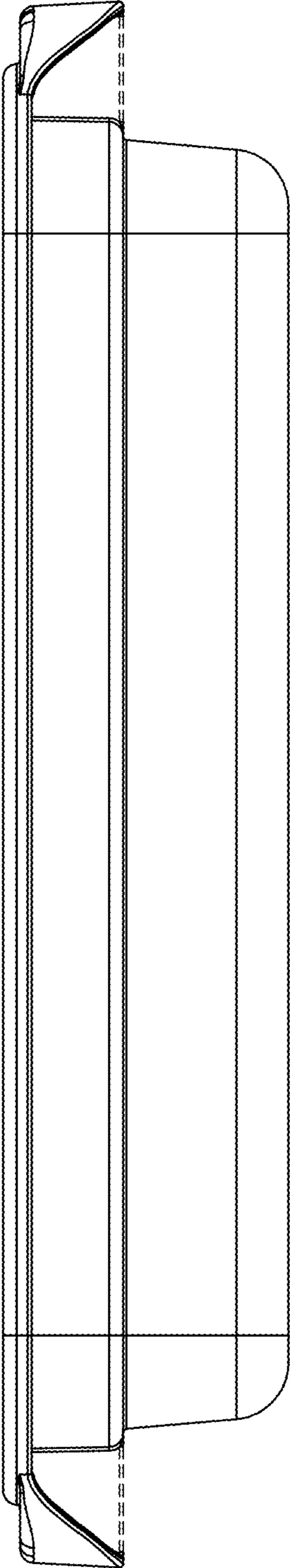


FIG. 1

FIG. 2



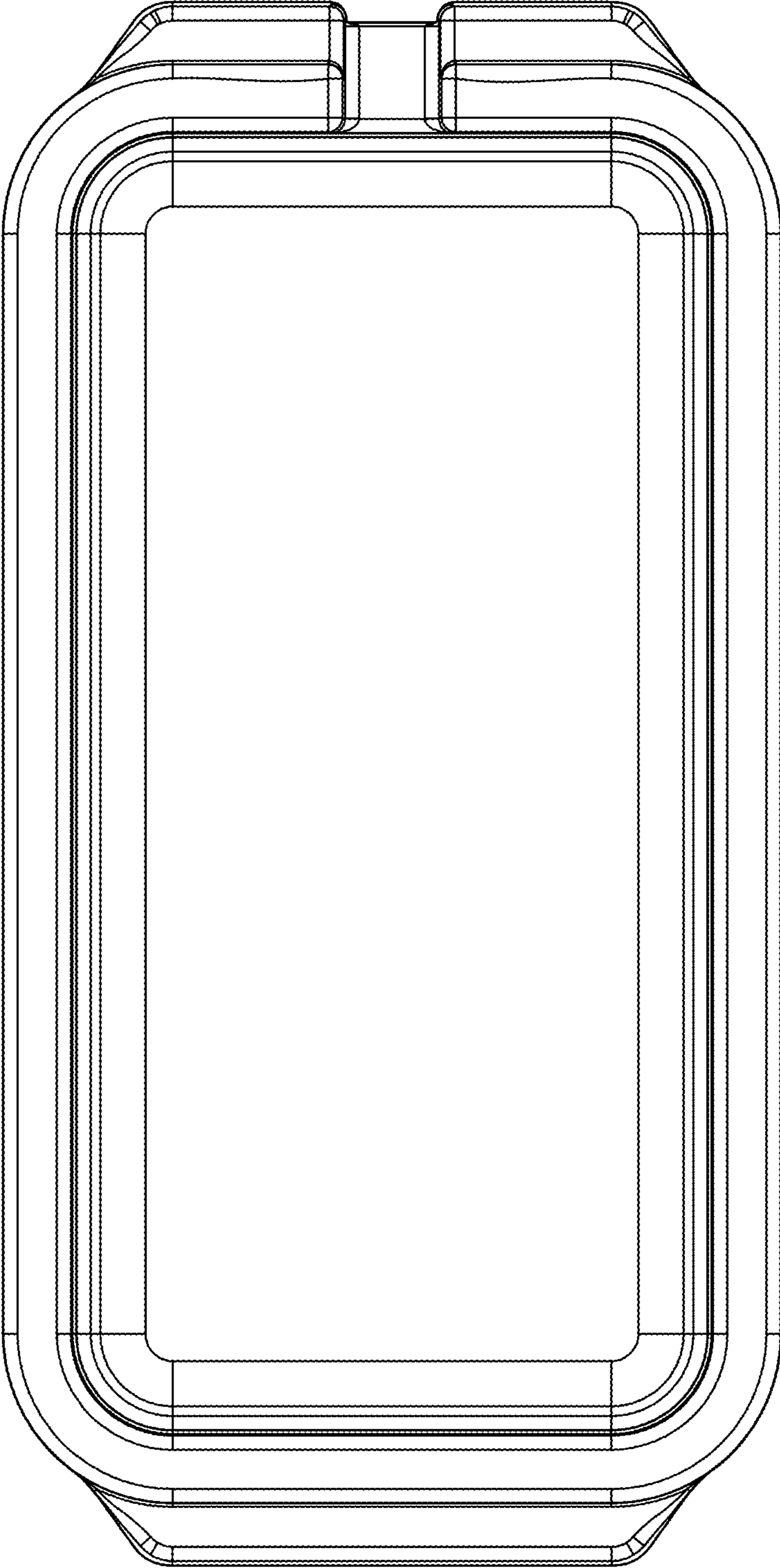


FIG. 3

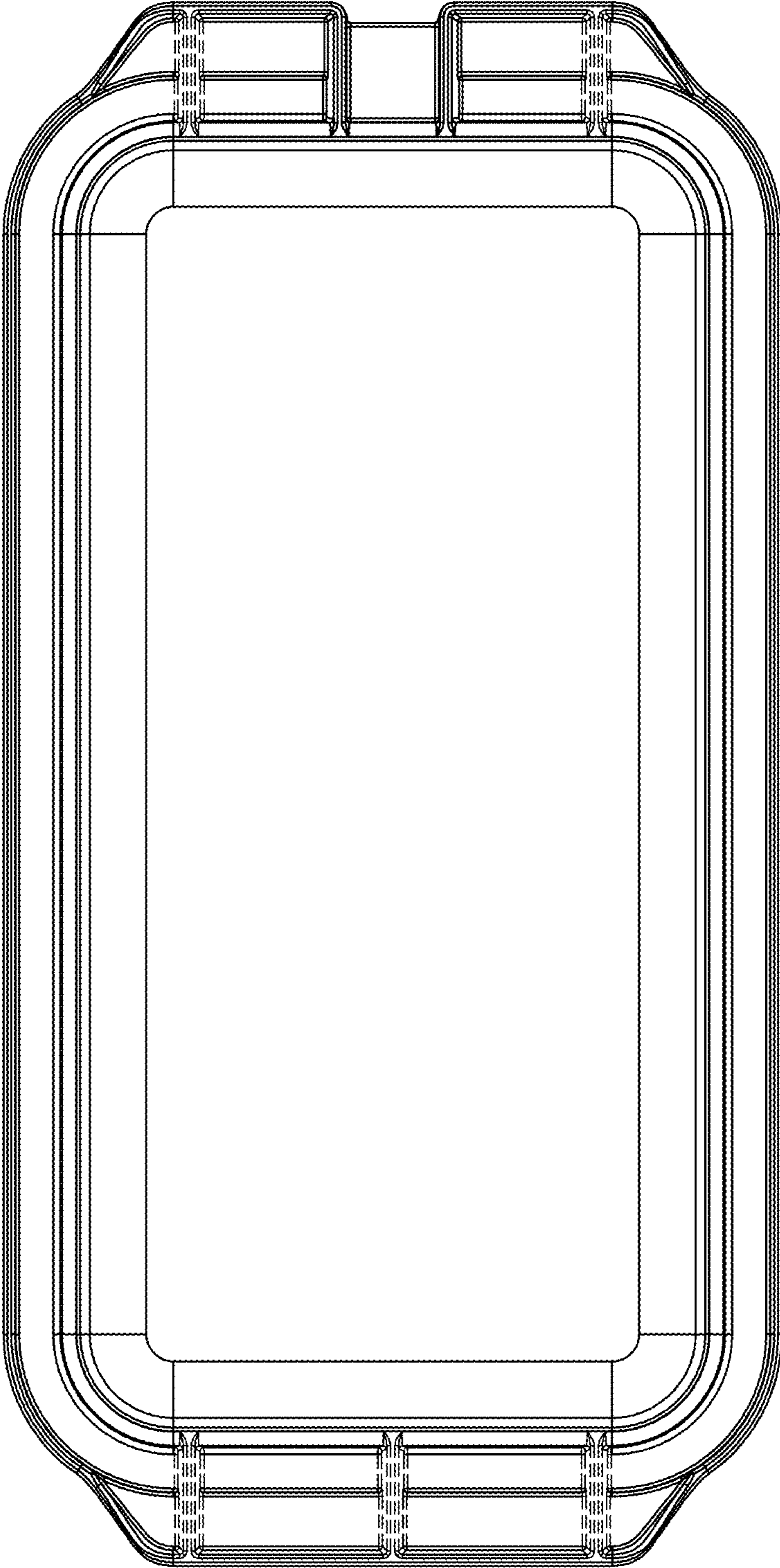


FIG. 4

FIG. 5

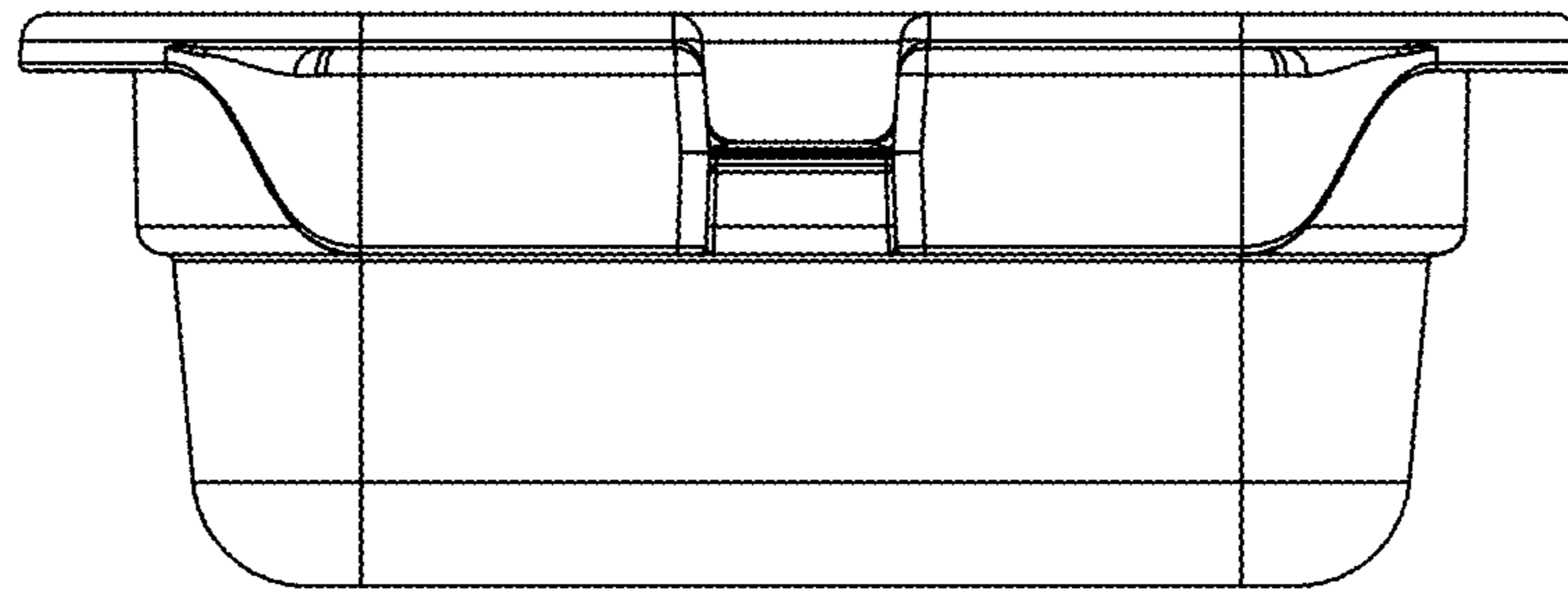
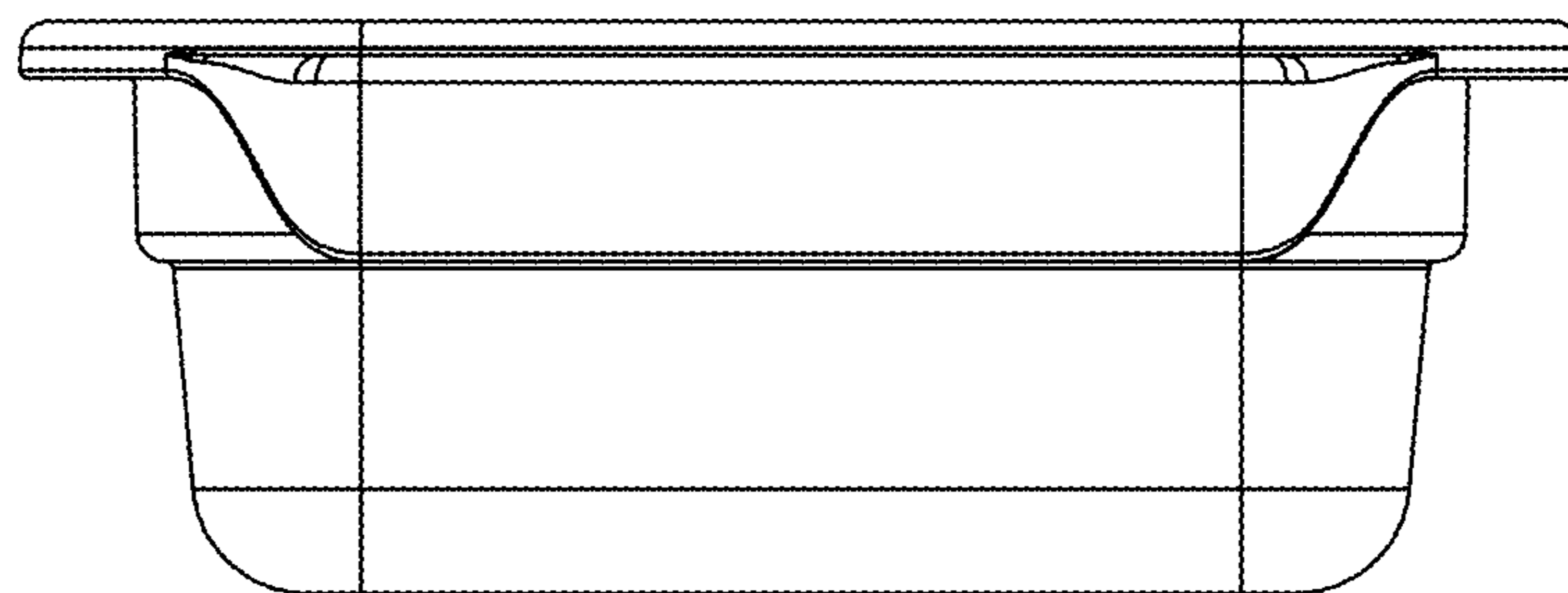


FIG. 6



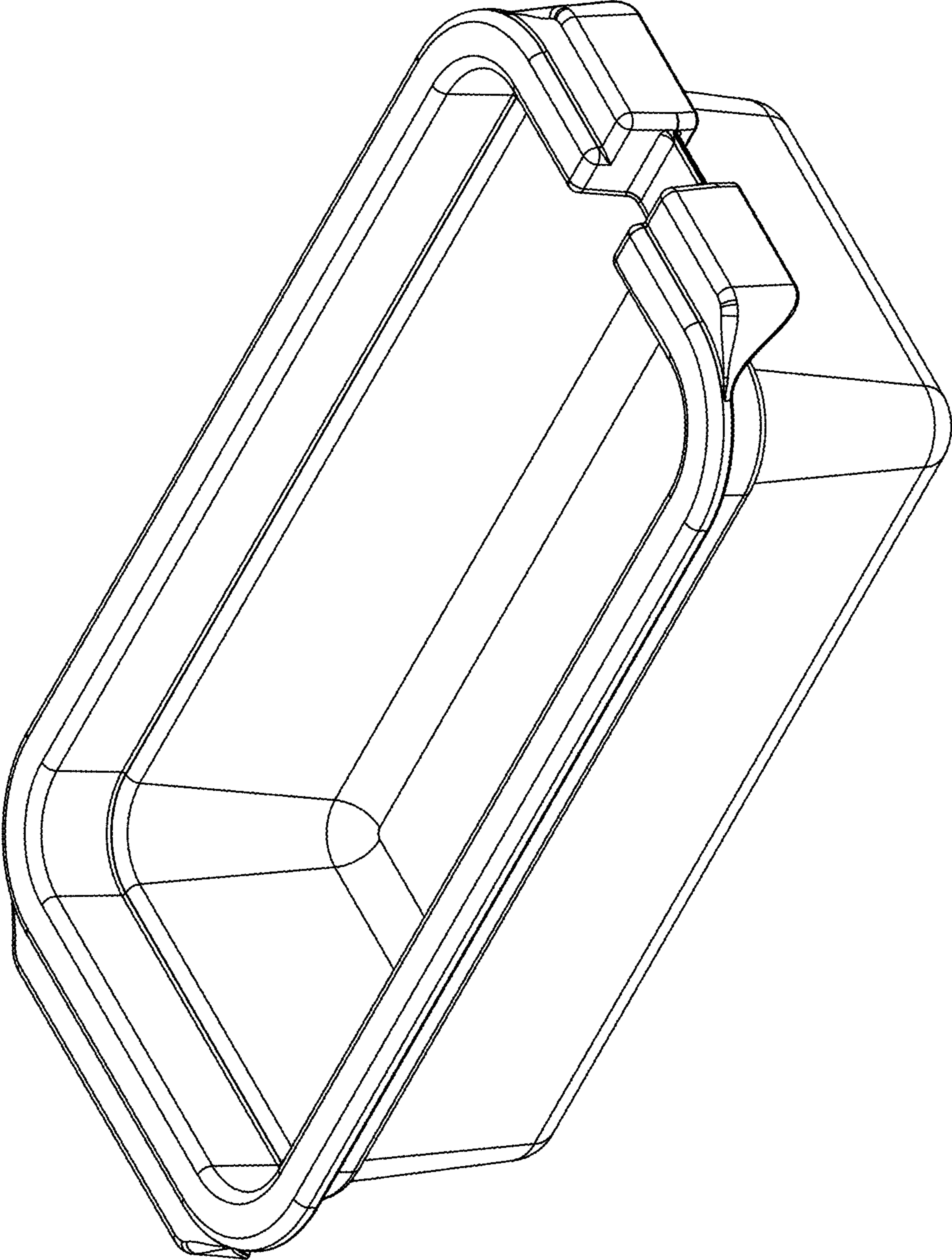


FIG. 7

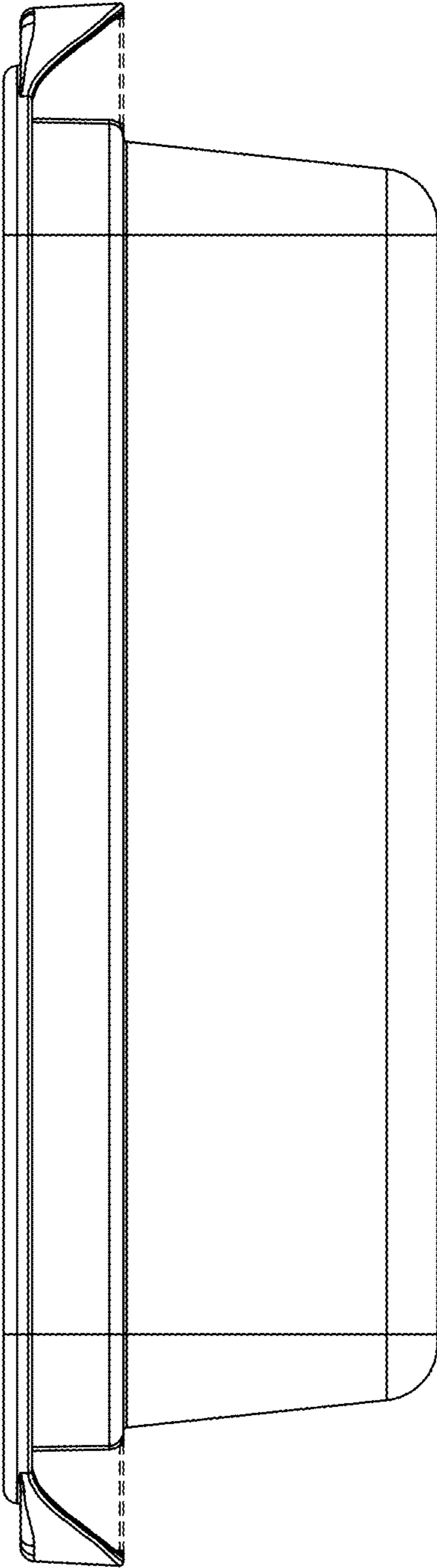


FIG. 8

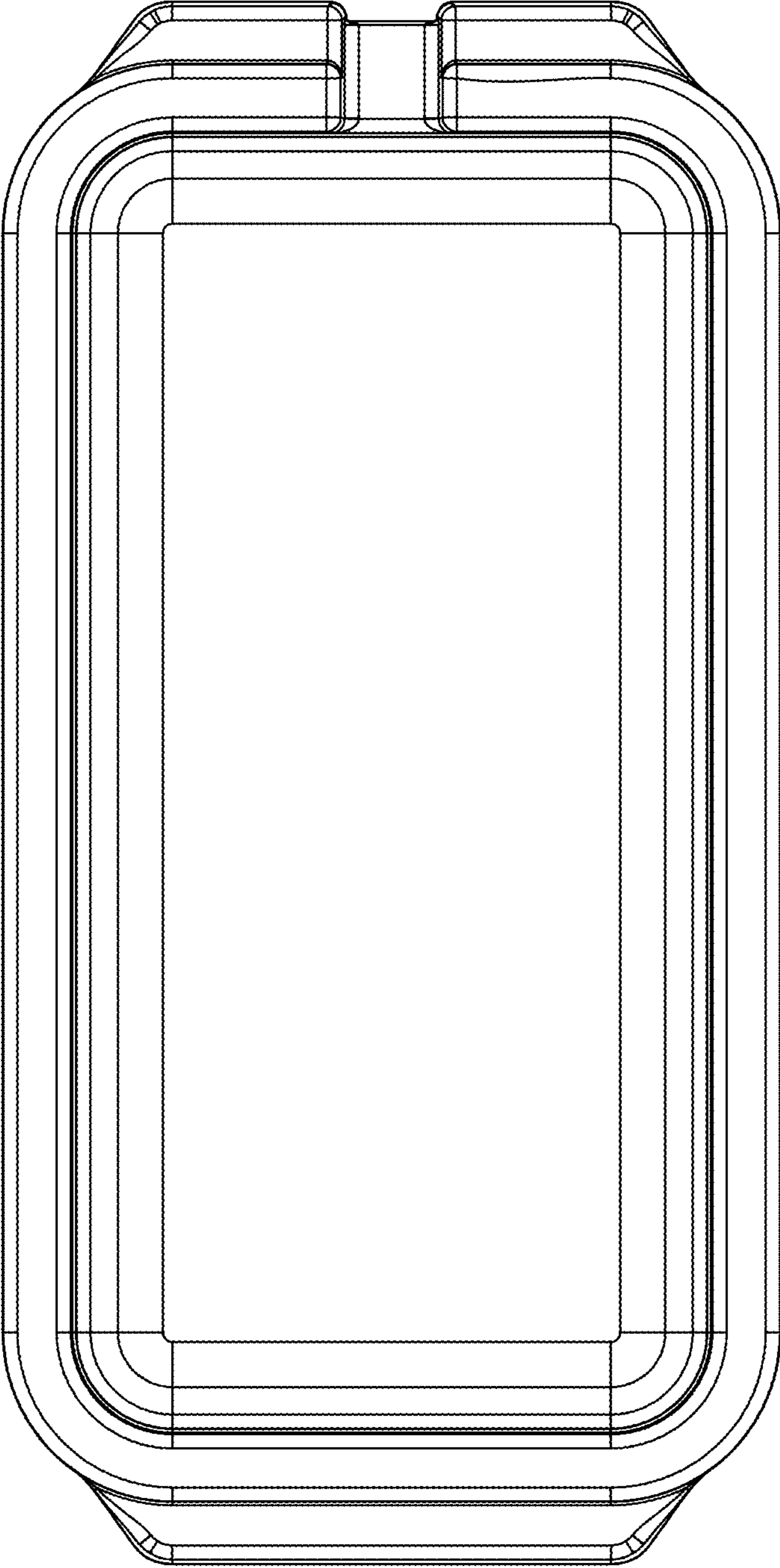


FIG. 9

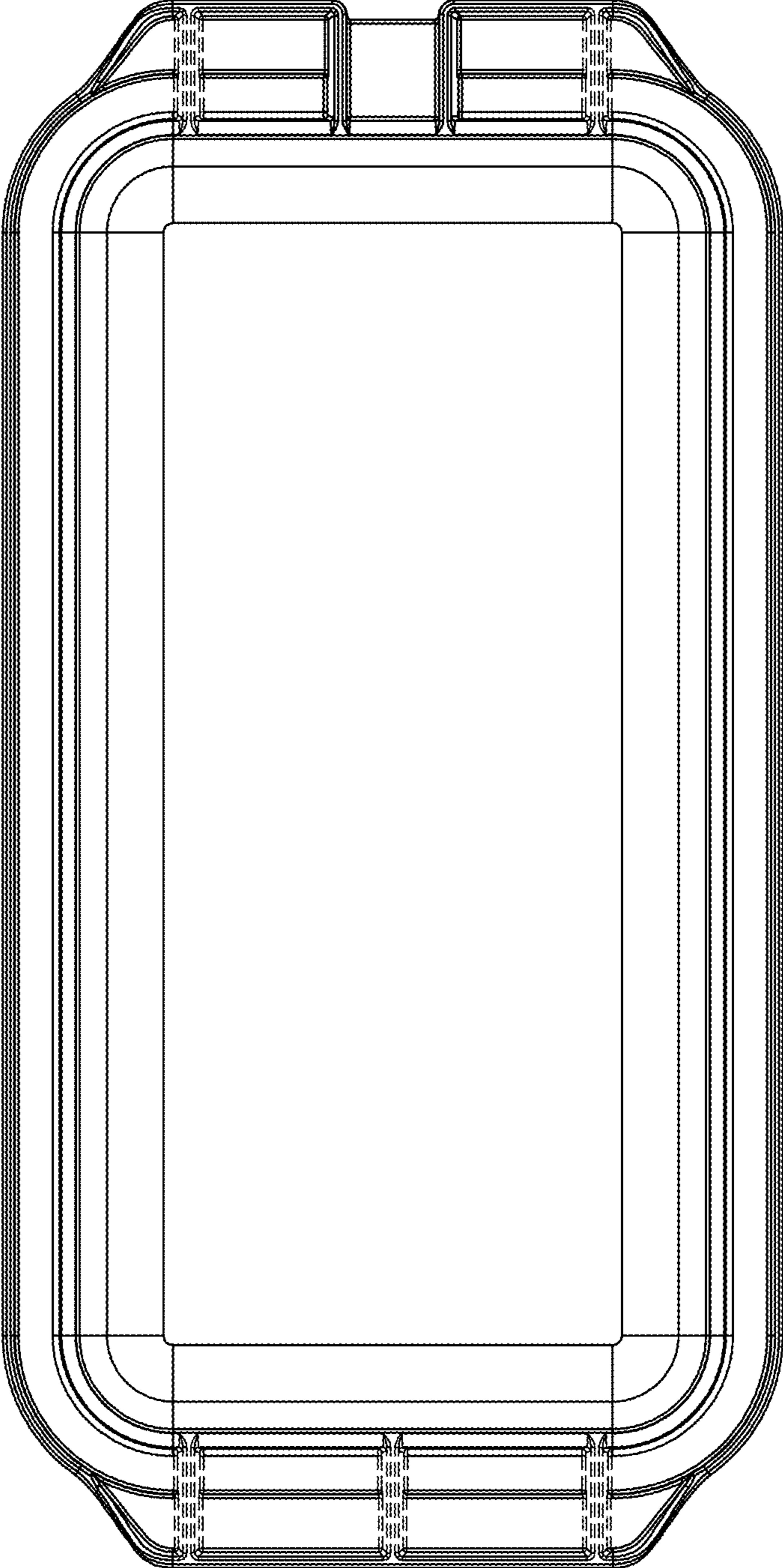


FIG. 10

FIG. 11

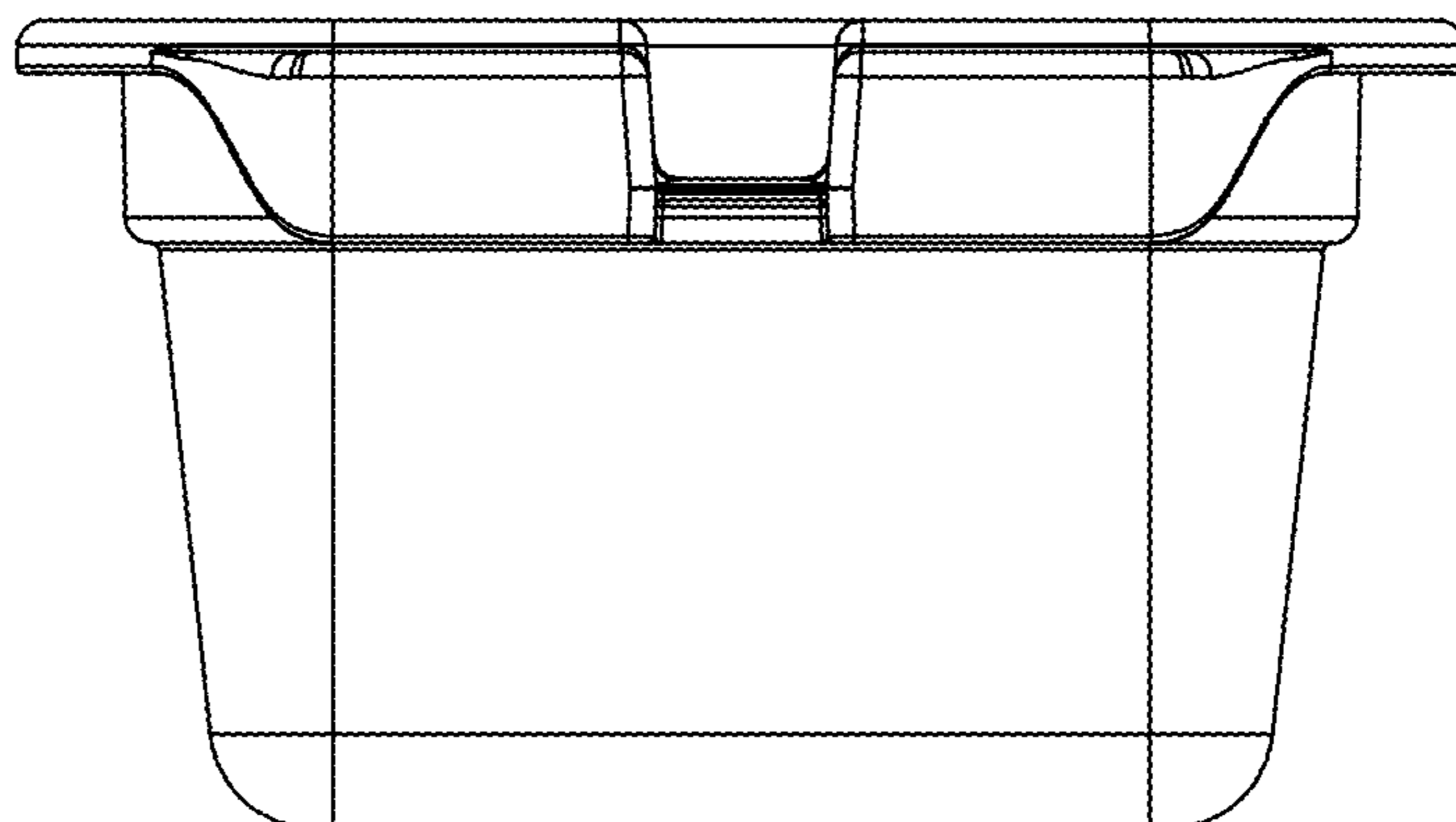


FIG. 12

