



US00D696053S

(12) **United States Design Patent**
Lang et al.

(10) **Patent No.:** **US D696,053 S**
(45) **Date of Patent:** **** Dec. 24, 2013**

(54) **SHADE FOR CHILD CAR SEAT**

- (71) Applicant: **Imaginebaby, LLC**, North Bethesda, MD (US)
- (72) Inventors: **Lauren Lang**, Bethesda, MD (US); **Noah Eberhard Dingler**, Phoenixville, PA (US); **Patrick Bryan Nolan**, Royersford, PA (US)
- (73) Assignee: **ImagineBaby, LLC**, North Bethesda, MD (US)
- (**) Term: **14 Years**
- (21) Appl. No.: **29/452,618**
- (22) Filed: **Apr. 18, 2013**

Related U.S. Application Data

- (62) Division of application No. 29/434,379, filed on Oct. 12, 2012, now Pat. No. Des. 683,169.
- (51) **LOC (9) Cl.** **06-01**
- (52) **U.S. Cl.**
USPC **D6/715**
- (58) **Field of Classification Search**
USPC D6/333-335, 339, 702, 716, D6/716.1-716.7, 715; 297/183.1-183.4, 297/184.13, 184.15, 184.17, 250.1, 255, 297/256.1, 256.15, 256.16; 5/94, 98.1, 5/99.1, 101-102, 105, 655, 414, 416, 5/413; D12/128-133, 401-403; 24/200; D3/5-6; 135/117, 124; 280/30-31, 280/642, 47.38, 47.4, 647, 650, 658; D21/412, 419, 834; 224/409; D34/27
See application file for complete search history.

(56) **References Cited**

U.S. PATENT DOCUMENTS

- 1,732,878 A 10/1929 Collender
- 1,770,841 A 7/1930 Clyman

(Continued)

FOREIGN PATENT DOCUMENTS

JP 2006-068251 A 3/2006

OTHER PUBLICATIONS

FAB Baby Gear, P'tit Coulou Car Seat Cover Kalinou, online at http://fabbabygear.com/index.php?main_page=product_info&cPath=233_426_568&products_id=3065, printed Apr. 5, 2012.

(Continued)

Primary Examiner — Caron D Veynar

Assistant Examiner — Abraham Bahta

(74) *Attorney, Agent, or Firm* — Venable LLP; Steven J. Schwarz

(57) **CLAIM**

The ornamental design for a shade for child car seat, as shown and described.

DESCRIPTION

FIG. 1 is a perspective view of a first embodiment of a shade for child car seat of the claimed design, shown mounted on a child car seat;

FIG. 2 is a front elevational view thereof;

FIG. 3 is a back elevational view thereof;

FIG. 4 is a right side elevational view thereof;

FIG. 5 is a left side elevational view thereof;

FIG. 6 is a top elevational view thereof;

FIG. 7 is a bottom elevational view thereof;

FIG. 8 is a perspective view of a second embodiment of a shade for child car seat of the claimed design, shown mounted on a child car seat;

FIG. 9 is a front elevational view thereof;

FIG. 10 is a back elevational view thereof;

FIG. 11 is a right side elevational view thereof;

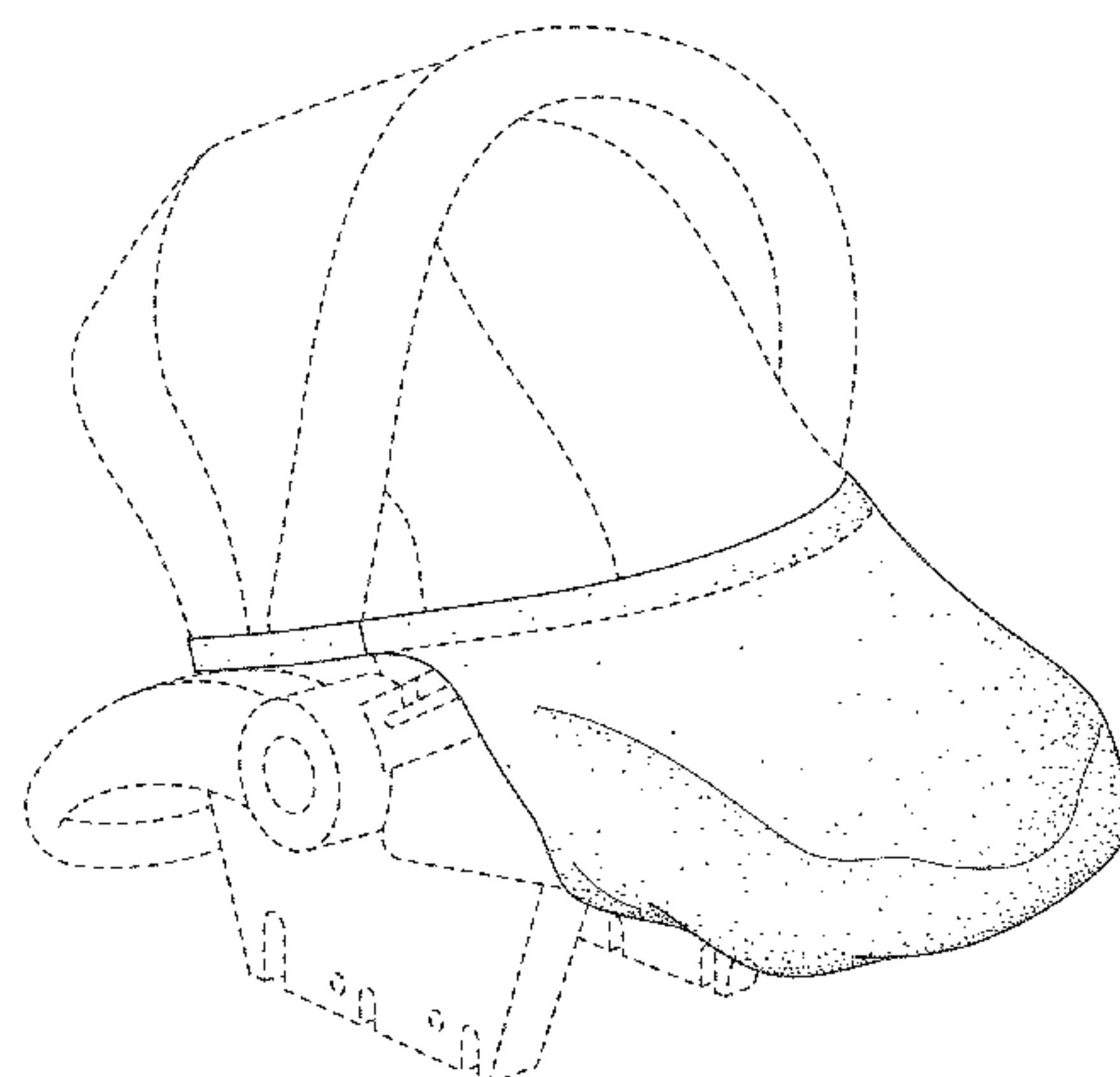
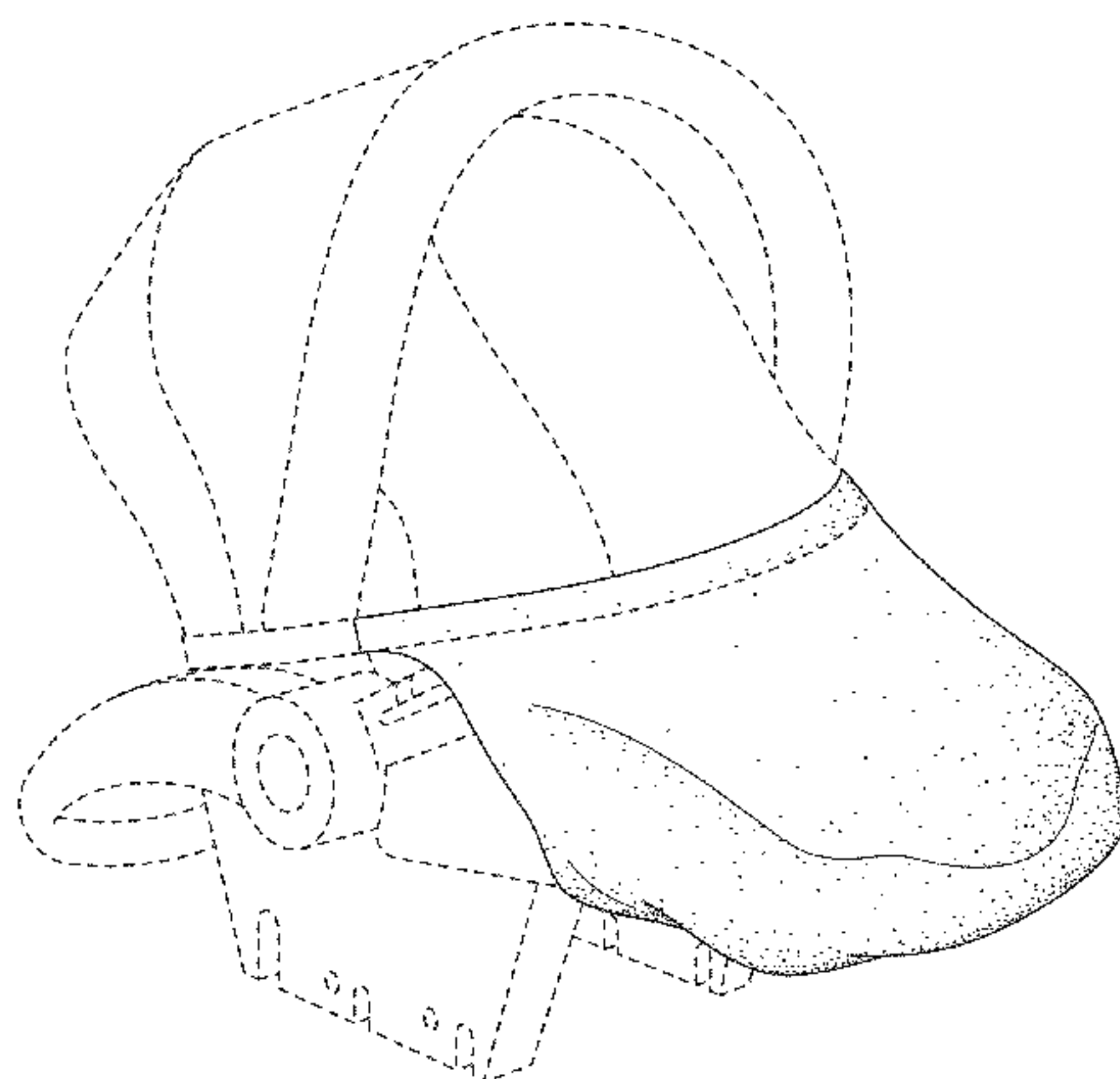
FIG. 12 is a left side elevational view thereof;

FIG. 13 is a top elevational view thereof; and,

FIG. 14 is a bottom elevational view thereof.

The features shown in broken lines are environment only and not part of the claimed design.

1 Claim, 14 Drawing Sheets



(56)

References Cited

U.S. PATENT DOCUMENTS

4,311,339 A 1/1982 Heath
 D288,757 S 3/1987 Hoeckel
 4,733,906 A 3/1988 Davis et al.
 4,946,221 A 8/1990 Livingston
 5,074,616 A 12/1991 Smith
 D325,836 S 5/1992 Morton
 5,184,865 A 2/1993 Mohtasham et al.
 5,309,586 A 5/1994 Sies et al.
 5,549,354 A 8/1996 Rosen
 D384,188 S 9/1997 Imm
 D388,998 S 1/1998 Dubiel
 5,730,490 A 3/1998 Mortenson
 5,735,004 A 4/1998 Wooten et al.
 D402,152 S 12/1998 Seats et al.
 D412,468 S 8/1999 Berkey et al.
 5,956,767 A 9/1999 Imm
 6,012,184 A 1/2000 Childers
 6,012,189 A 1/2000 Dudley
 6,019,421 A 2/2000 Roh
 6,039,393 A 3/2000 Roh
 D424,483 S 5/2000 Tripodi
 6,056,355 A 5/2000 Klassen
 D426,091 S 6/2000 White
 D431,377 S 10/2000 Buggs
 D433,851 S 11/2000 Roh
 6,209,953 B1 4/2001 Mackay et al.
 D462,182 S 9/2002 Brewer
 D462,221 S 9/2002 Brewer
 6,481,791 B1 11/2002 Facchini et al.
 6,517,153 B1 2/2003 Brewer

6,547,325 B2 4/2003 Drost et al.
 6,702,374 B2 3/2004 Kams
 6,749,258 B1 6/2004 Leikin
 D509,699 S 9/2005 Reamer
 7,083,228 B1 8/2006 Al Sawan
 D530,559 S 10/2006 Fails
 7,150,499 B2 12/2006 McGregor
 D546,108 S 7/2007 Heiman-Philpott
 7,284,790 B1 10/2007 Brewer
 D559,022 S 1/2008 Morales Cabello
 D601,845 S 10/2009 Pierce
 D602,407 S 10/2009 Sanderson
 D615,781 S 5/2010 Moffett
 D655,518 S 3/2012 Sclare
 D673,784 S 1/2013 Lang
 D683,169 S * 5/2013 Lang et al. D6/715.2
 2010/0072793 A1 3/2010 Kress
 2010/0109391 A1 5/2010 Berry
 2011/0101742 A1 5/2011 Hei et al.
 2011/0312243 A1 12/2011 Schoen et al.
 2012/0062001 A1 3/2012 Krasley

OTHER PUBLICATIONS

This is Next, Baby's Cozy World Microfiber Embroidered Nylon Cover, online at <http://www.thisnext.com/item/93E4A0FD/Babys-Cozy-World-Microfiber>, printed Apr. 5, 2012.
 International Search Report Issued Aug. 19, 2013 in related International Patent Application No. PCT/US2013/041182.
 Written Opinion issued Aug. 19, 2013 in related International Patent Application No. PCT/US2013/041182.

* cited by examiner

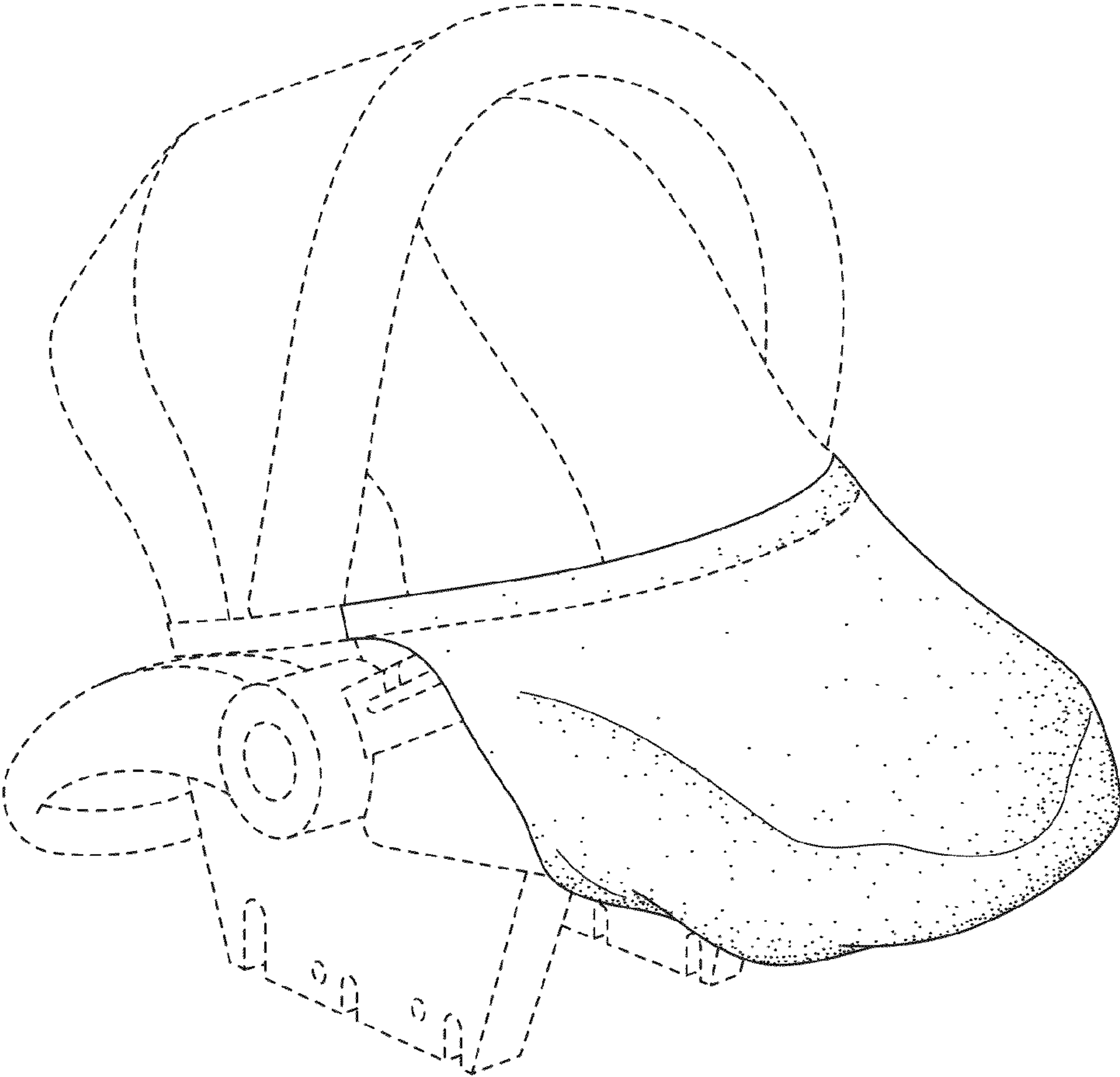


FIG. 1

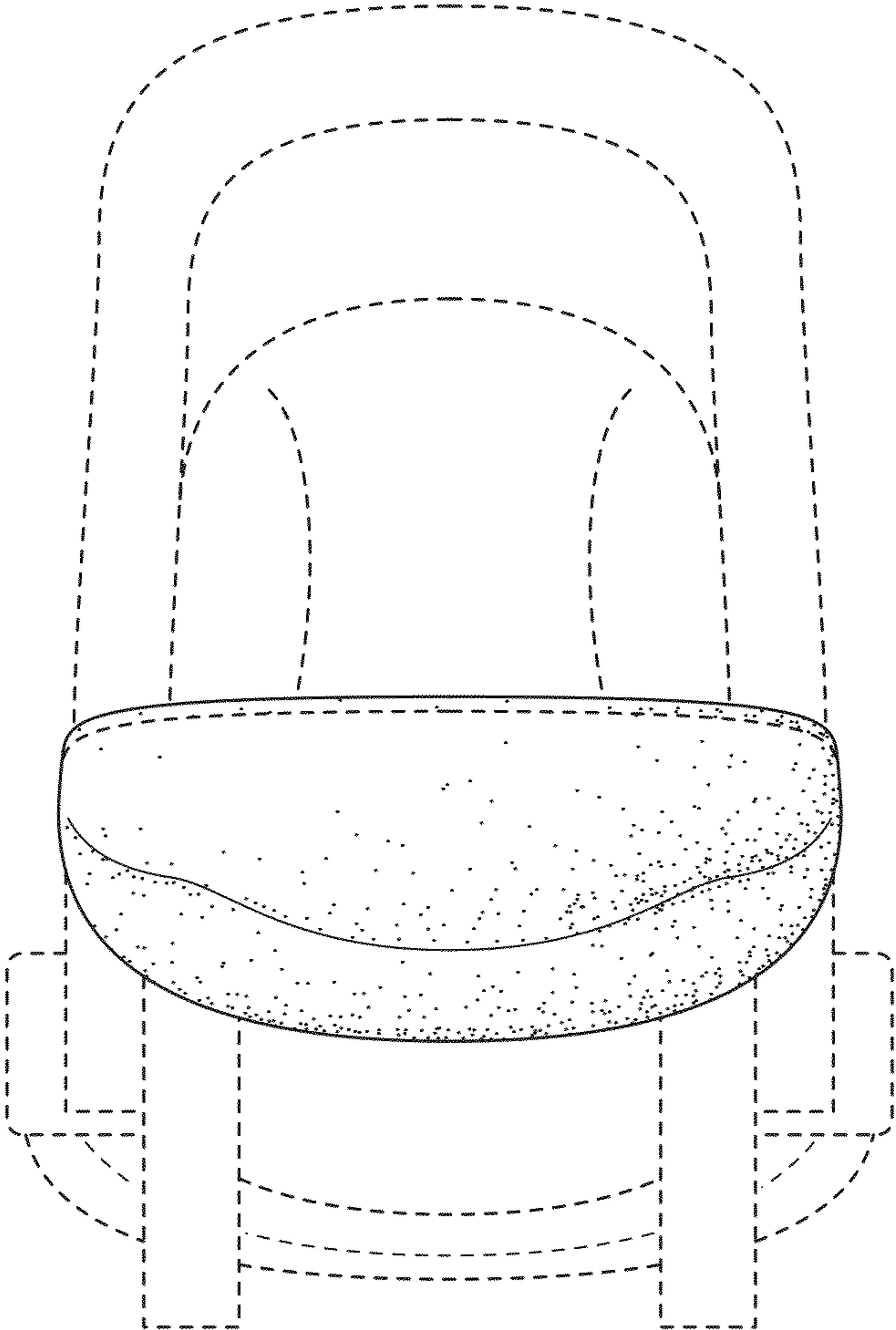


FIG. 2

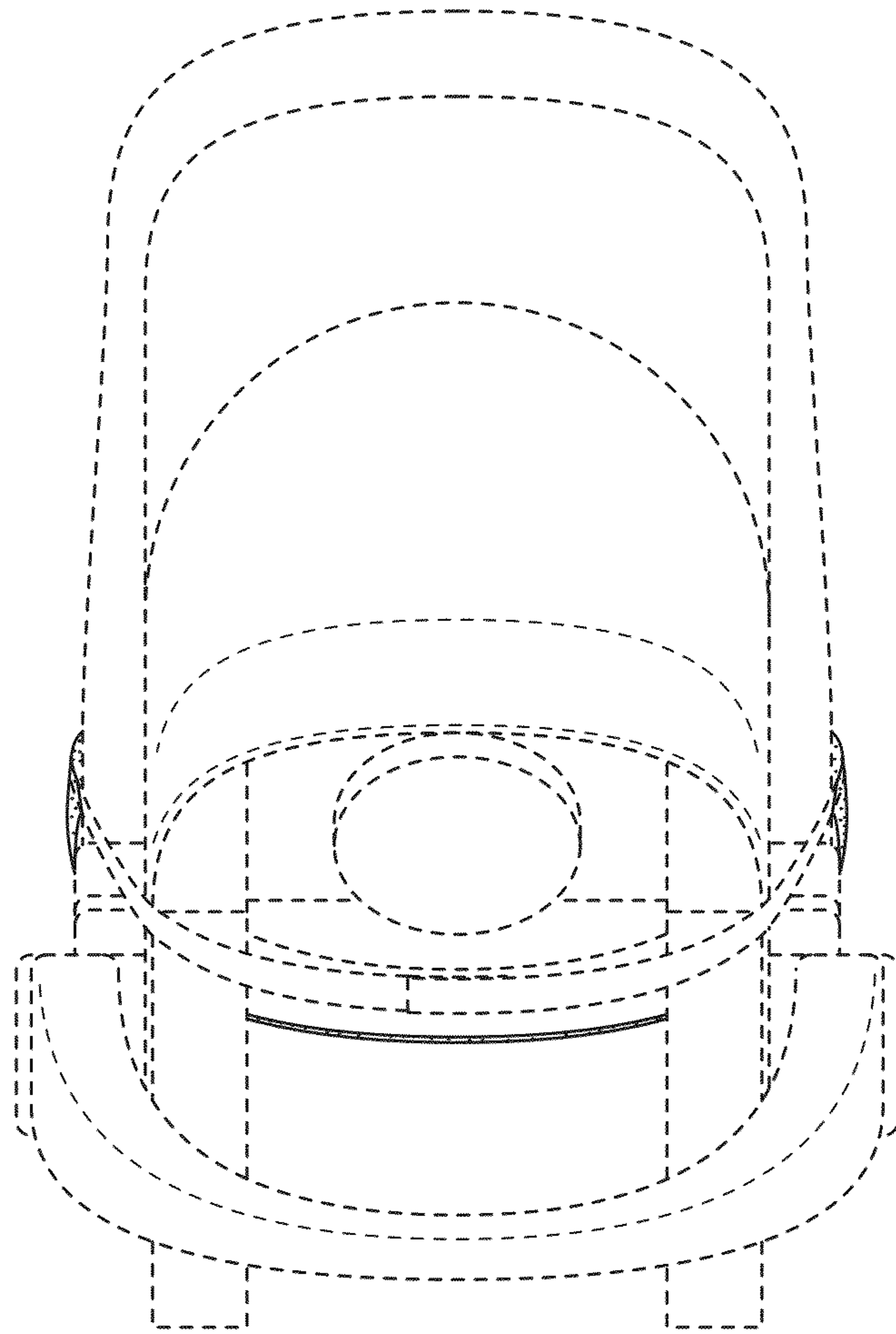


FIG. 3

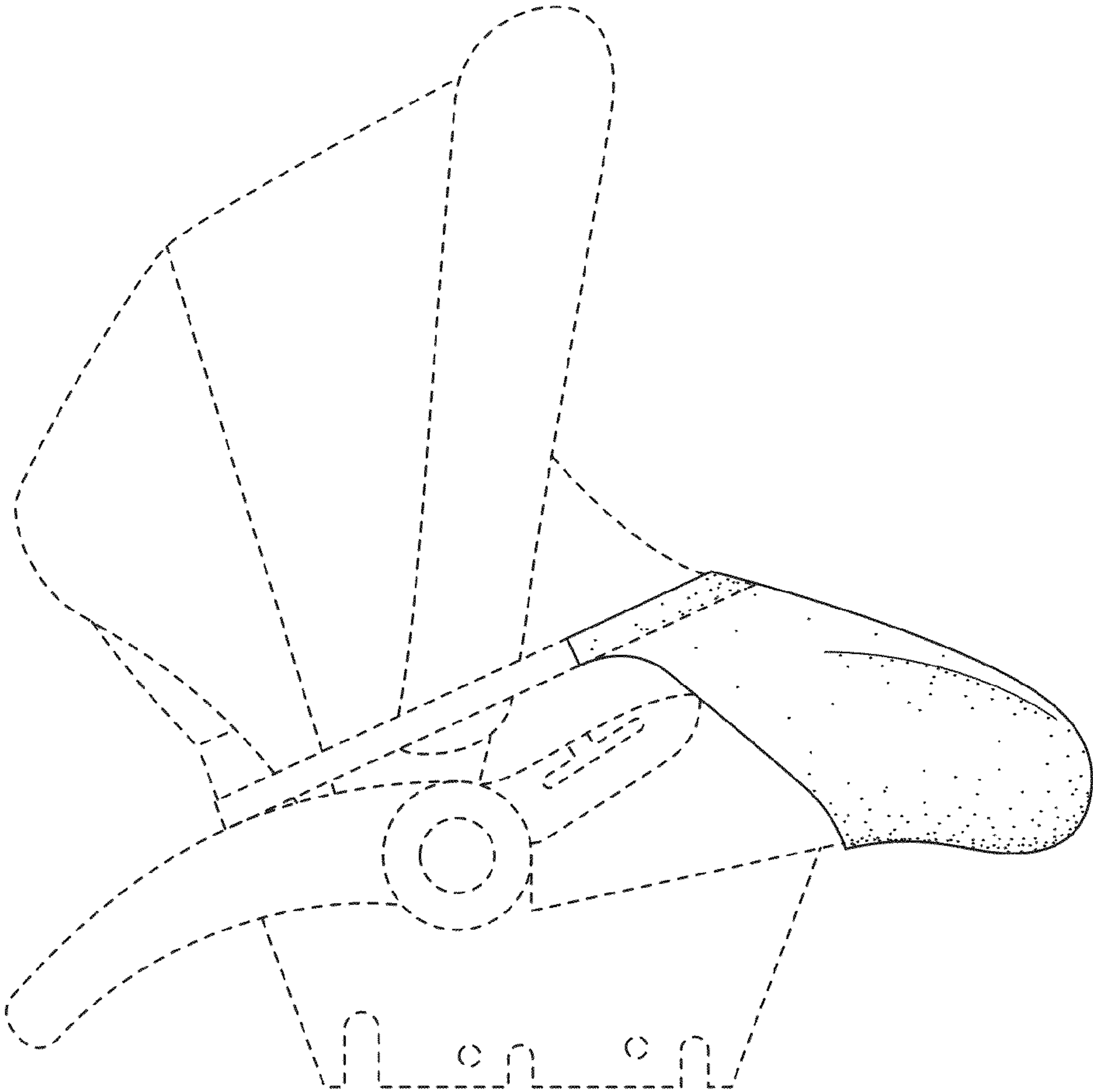


FIG. 4

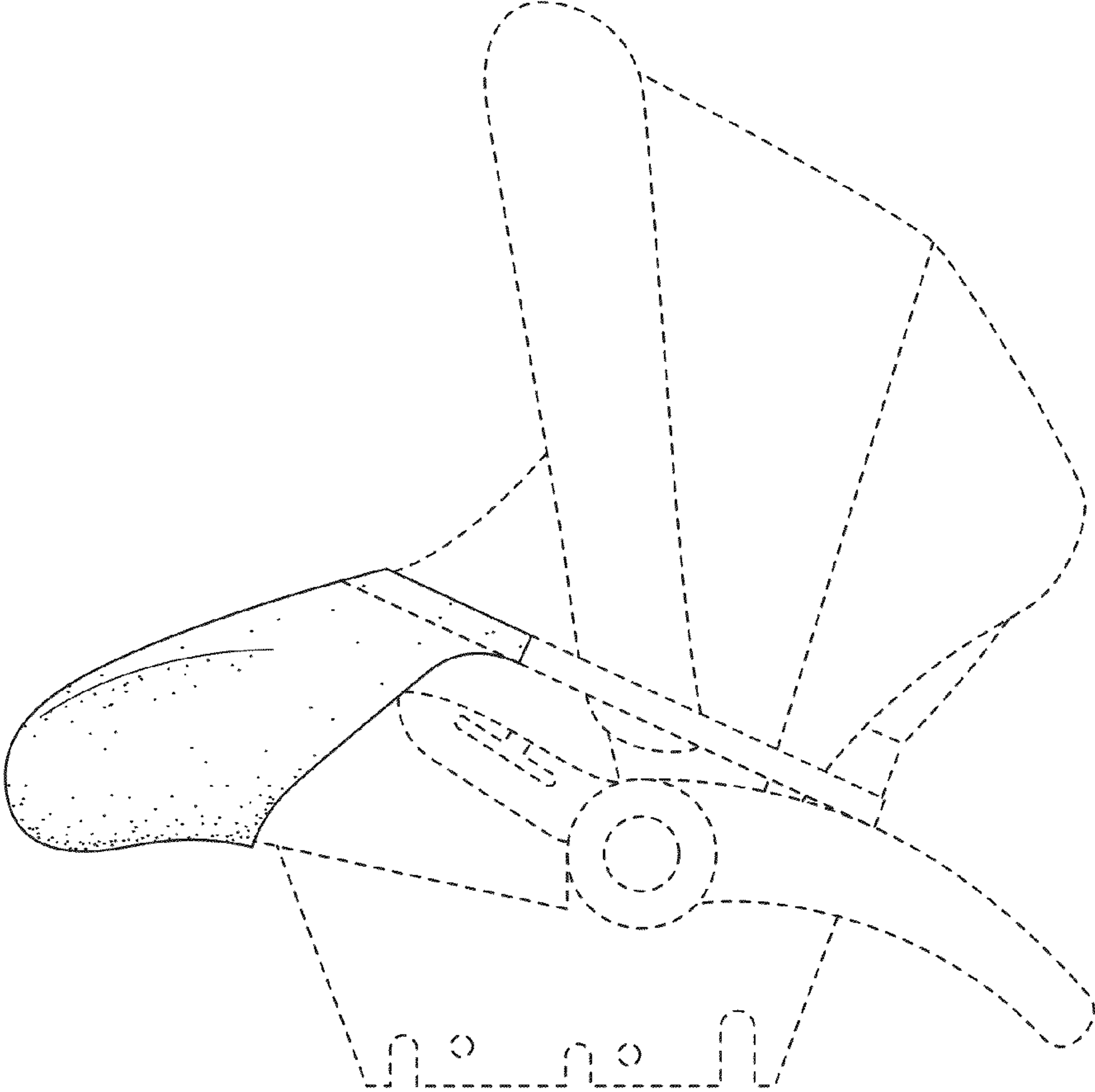


FIG. 5

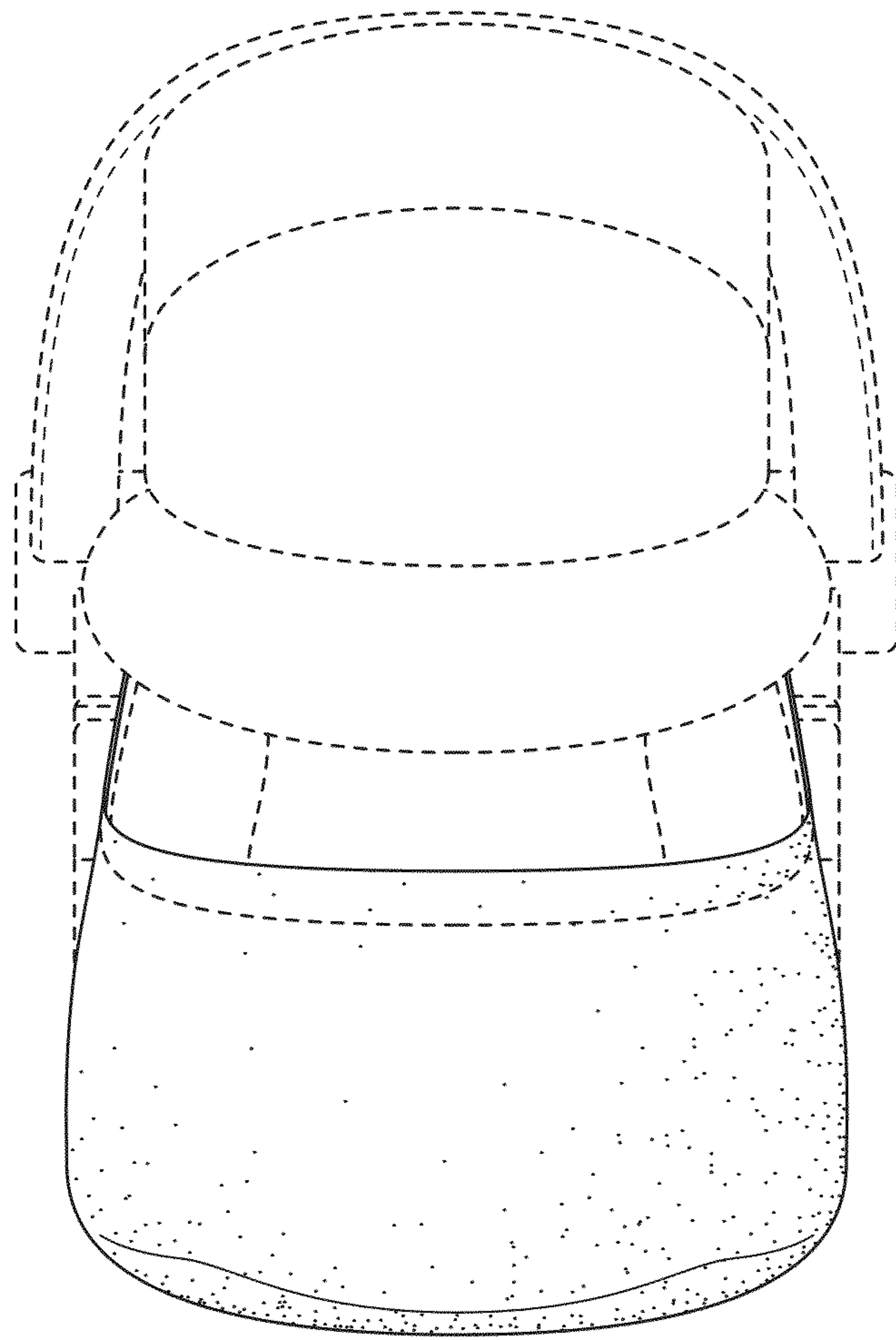


FIG. 6

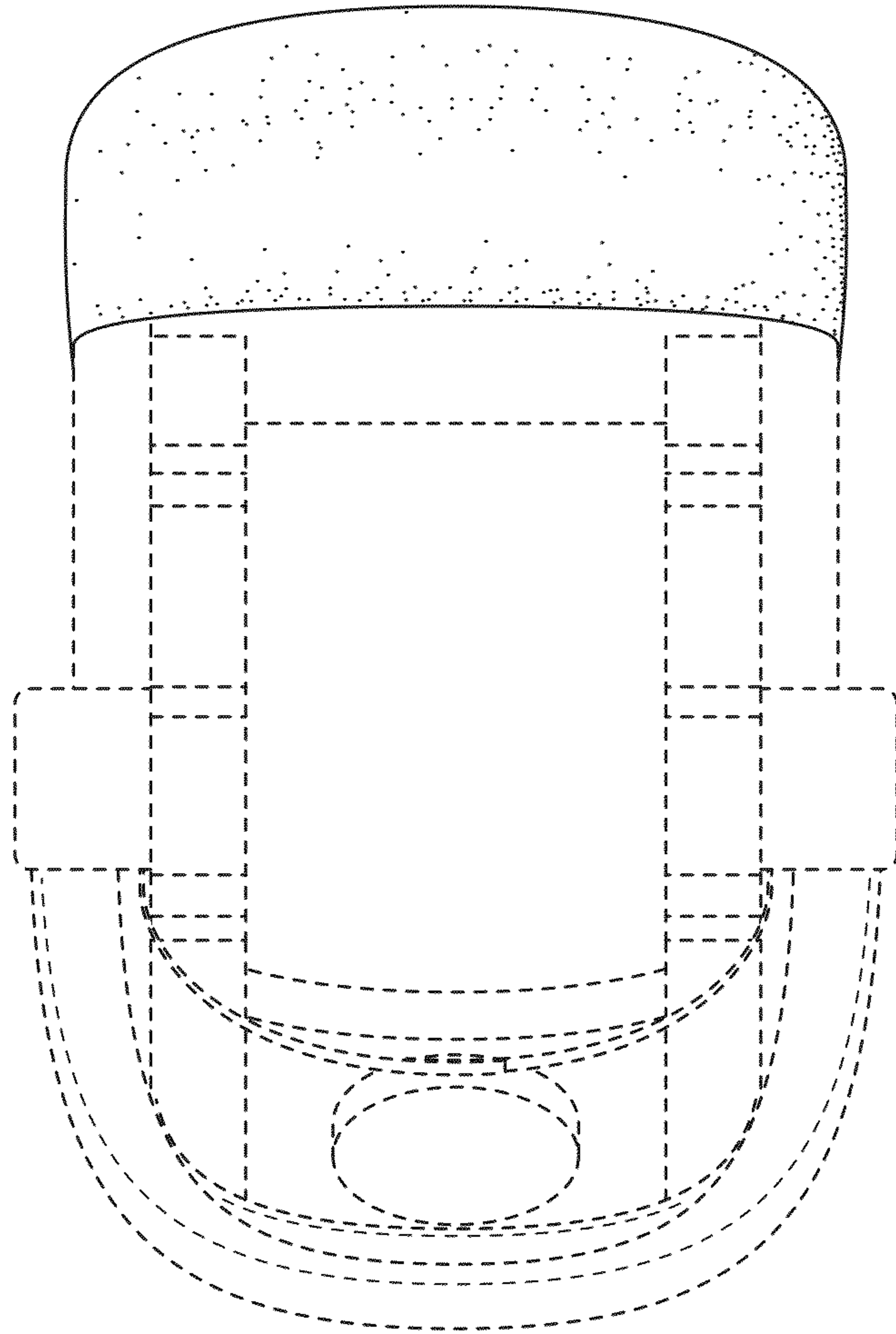


FIG. 7

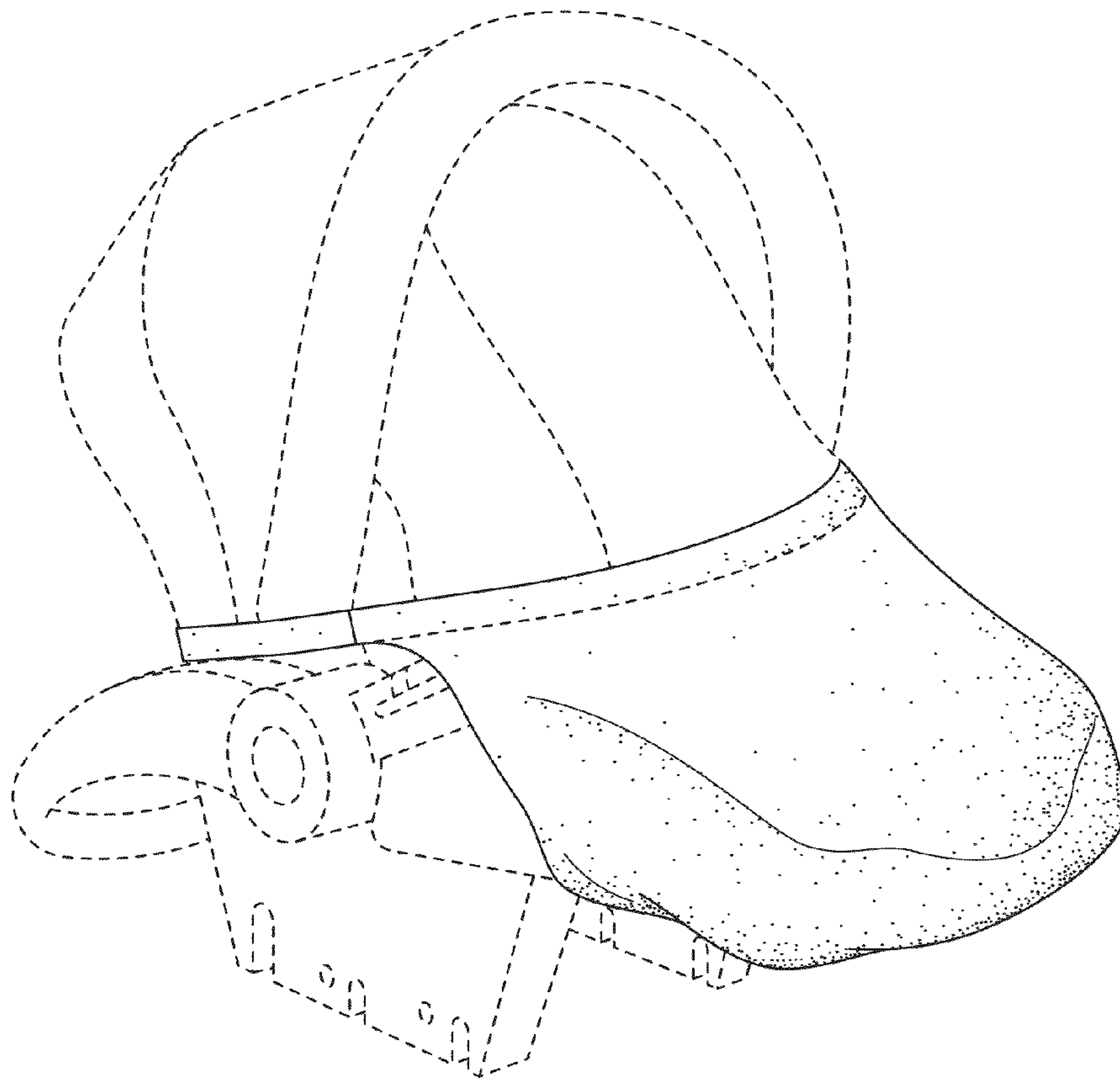


FIG. 8

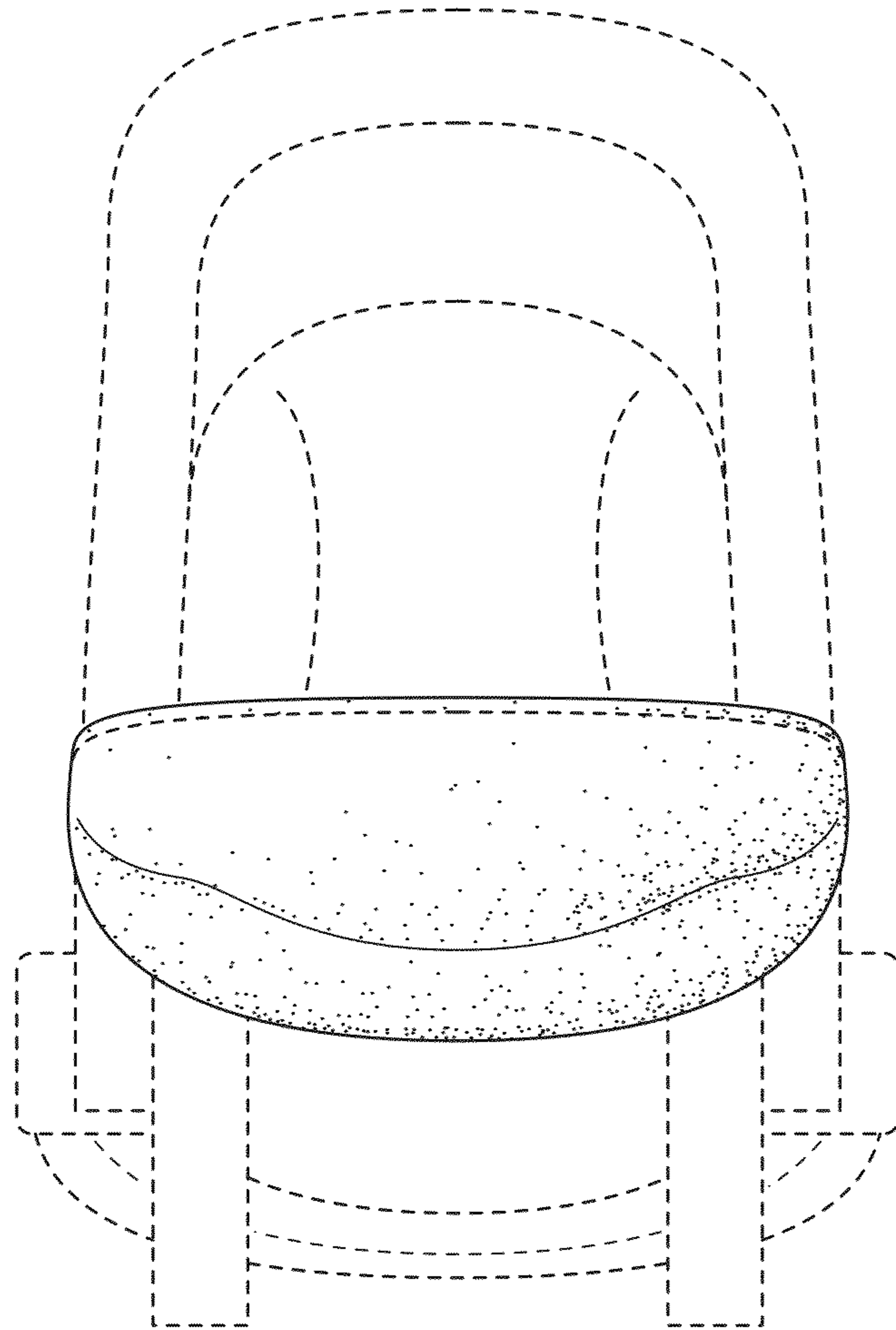


FIG. 9

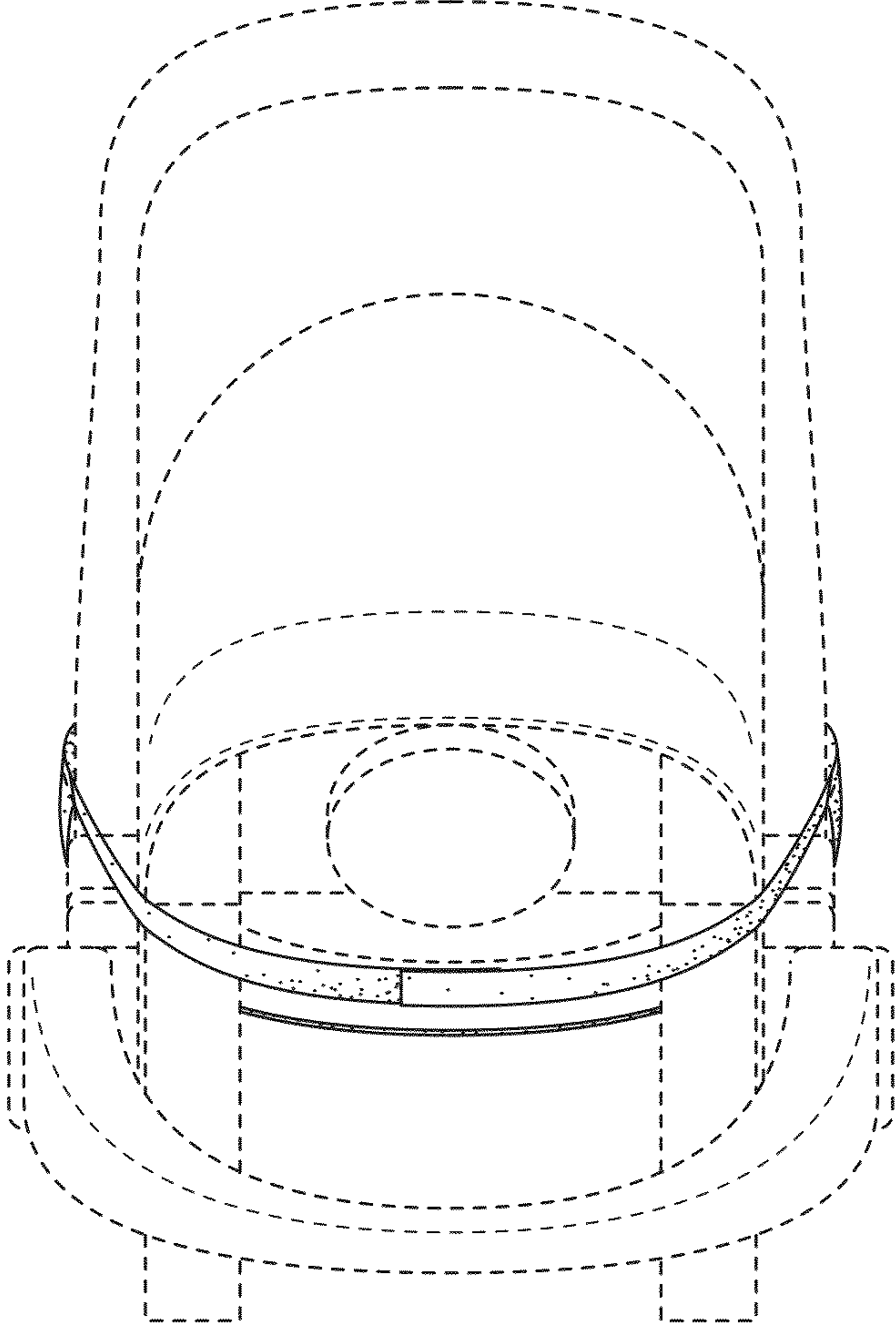


FIG. 10

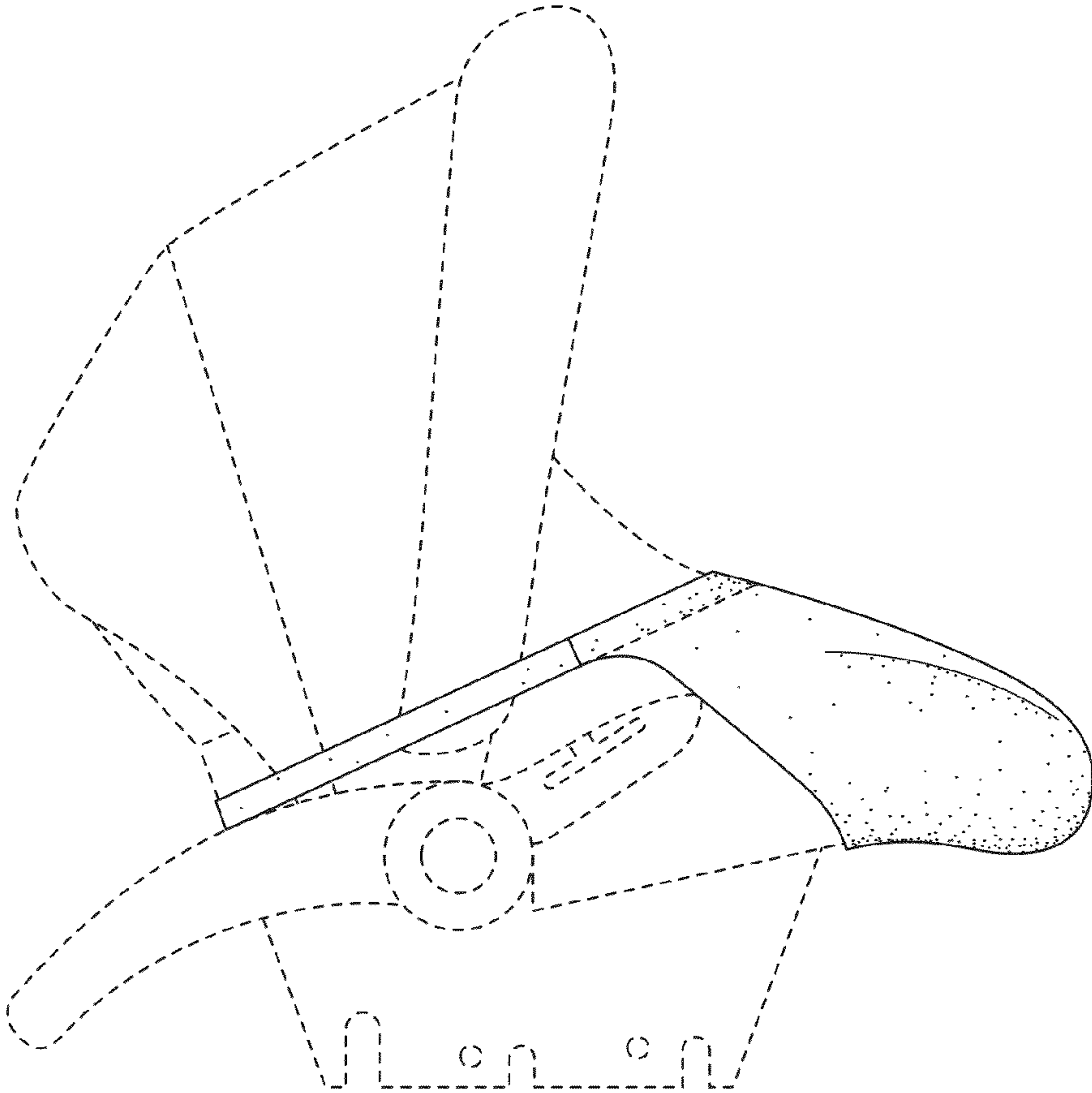


FIG. 11

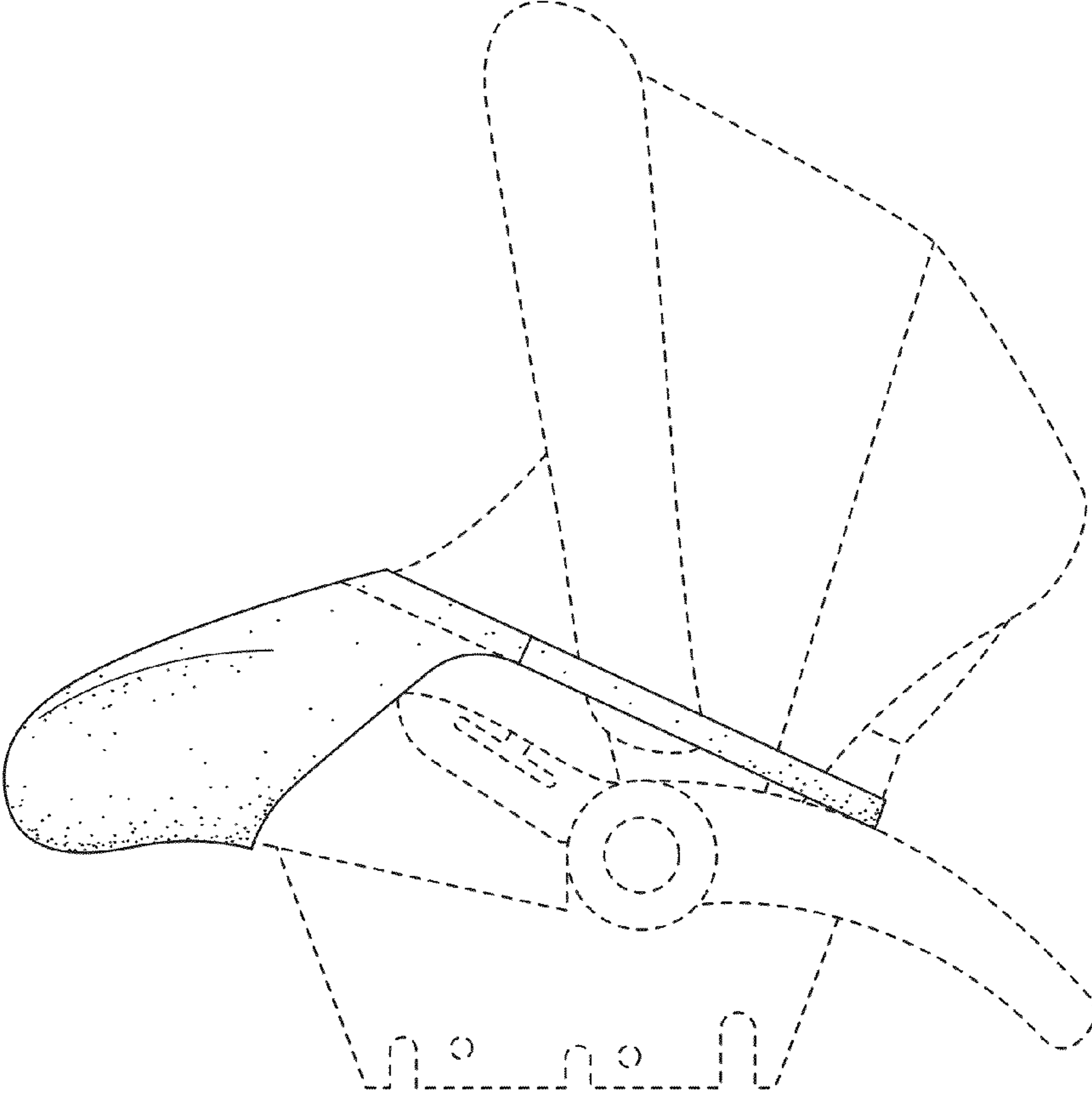


FIG. 12

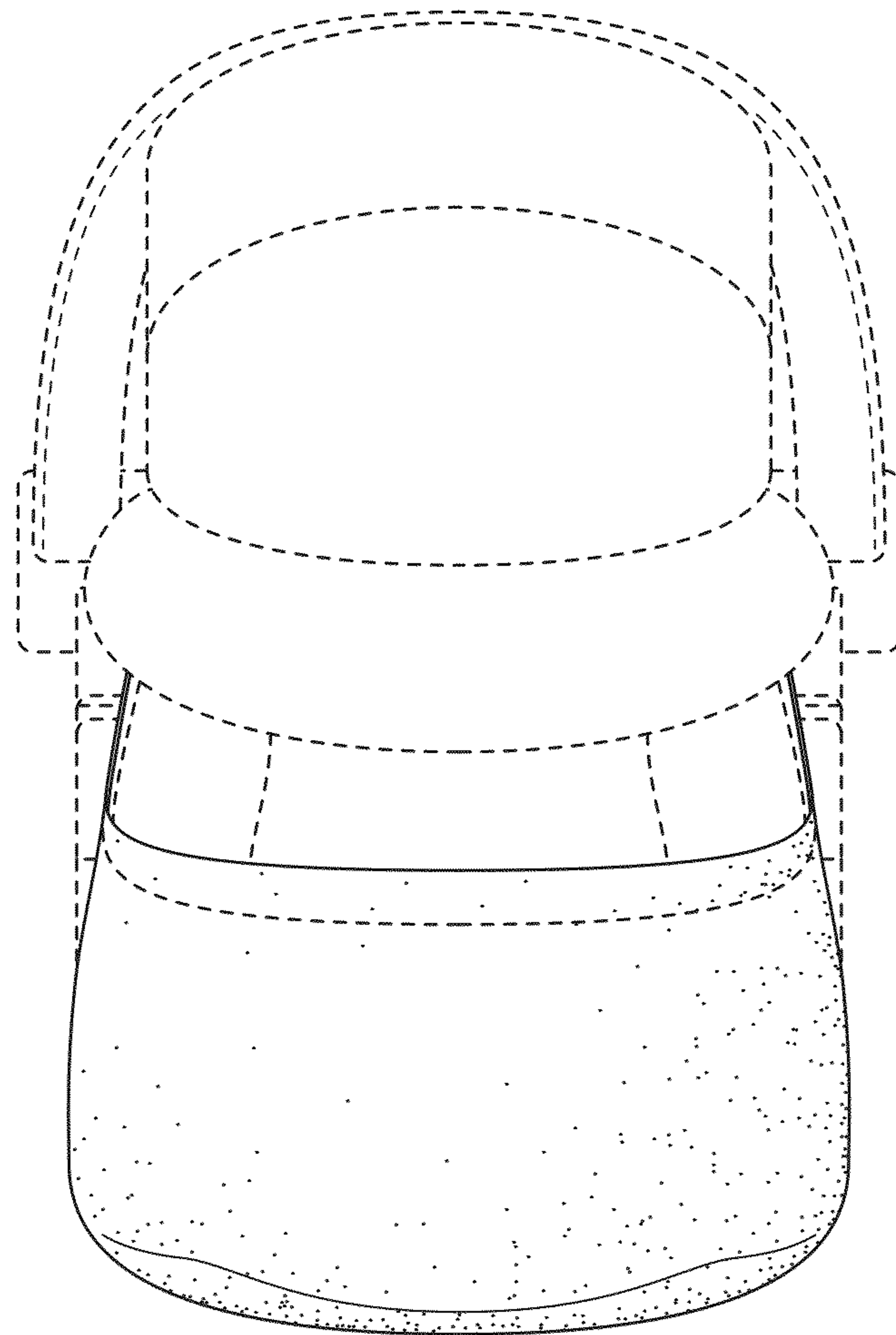


FIG. 13

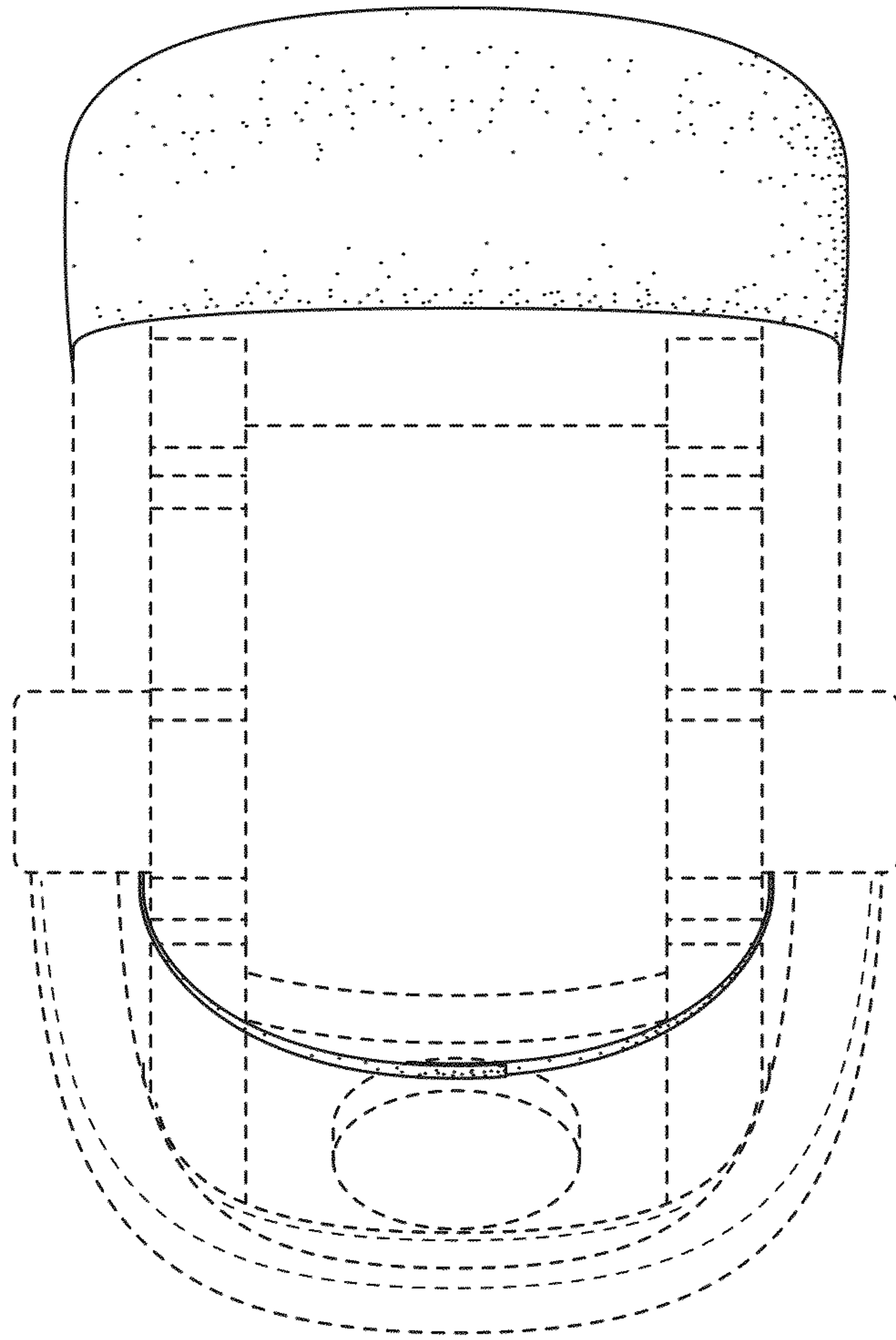


FIG. 14