



US00D696050S

(12) **United States Design Patent**
Esparza

(10) **Patent No.:** **US D696,050 S**

(45) **Date of Patent:** **** Dec. 24, 2013**

(54) **RACK**

(71) Applicant: **Ruben P. Esparza**, Marana, AZ (US)

(72) Inventor: **Ruben P. Esparza**, Marana, AZ (US)

(**) Term: **14 Years**

(21) Appl. No.: **29/459,258**

(22) Filed: **Jun. 27, 2013**

(51) **LOC (9) Cl.** **06-06**

(52) **U.S. Cl.**

USPC **D6/675.2**

(58) **Field of Classification Search**

USPC D6/449-450, 462, 464, 465-466, 470,
D6/474, 491-492, 509-511, 672-673,
D6/675-675.2; 211/13.1, 85.26, 85.31,
211/85.4, 33, 134, 186-191, 194, 181.1,
211/153; 108/107; D34/12

See application file for complete search history.

(56) **References Cited**

U.S. PATENT DOCUMENTS

D158,980 S *	6/1950	Leebaw	D6/479
D160,378 S *	10/1950	Falkenberg et al.	D6/464
D350,659 S *	9/1994	Di Tomasso	D6/479
D392,122 S *	3/1998	Peng-Hui	D6/465
D440,793 S *	4/2001	Iannaccone	D6/449

D469,980 S *	2/2003	Pressoir	D6/426
D471,033 S *	3/2003	Yamaguchi	D6/465
D485,708 S *	1/2004	Robertson	D6/474
D538,058 S *	3/2007	Van Es	D6/405
D550,983 S *	9/2007	Van Es	D6/464
D571,577 S *	6/2008	Van Es	D6/460
D580,193 S *	11/2008	Sparkowski	D6/463
D588,414 S *	3/2009	Verghese	D7/601
D602,712 S *	10/2009	Ho	D6/465
D623,446 S *	9/2010	Calco	D6/499
7,789,251 B1 *	9/2010	Clark	211/198
D637,835 S *	5/2011	Molayem	D6/464

* cited by examiner

Primary Examiner — Kelley Donnelly

(74) *Attorney, Agent, or Firm* — R. Michael West

(57) **CLAIM**

The ornamental design for a rack, as shown and described.

DESCRIPTION

FIG. 1 is a right front perspective of a rack, showing my new design;

FIG. 2 is a front elevational view, thereof;

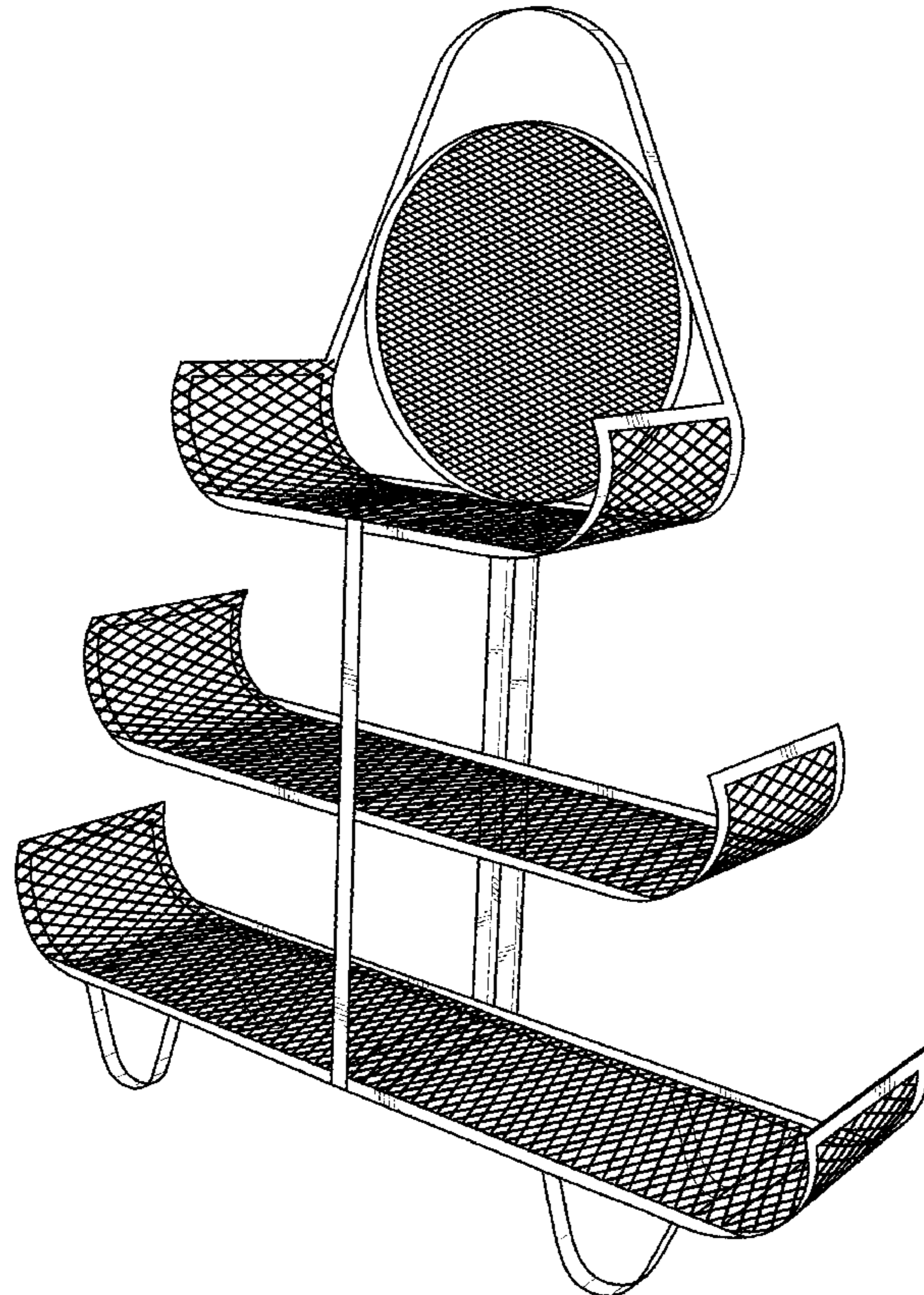
FIG. 3 is a side elevational view thereof, the opposite side elevational view being a mirror image;

FIG. 4 is a rear elevational view, thereof;

FIG. 5 is a top plan view, thereof; and,

FIG. 6 is a bottom plan view, thereof.

1 Claim, 5 Drawing Sheets



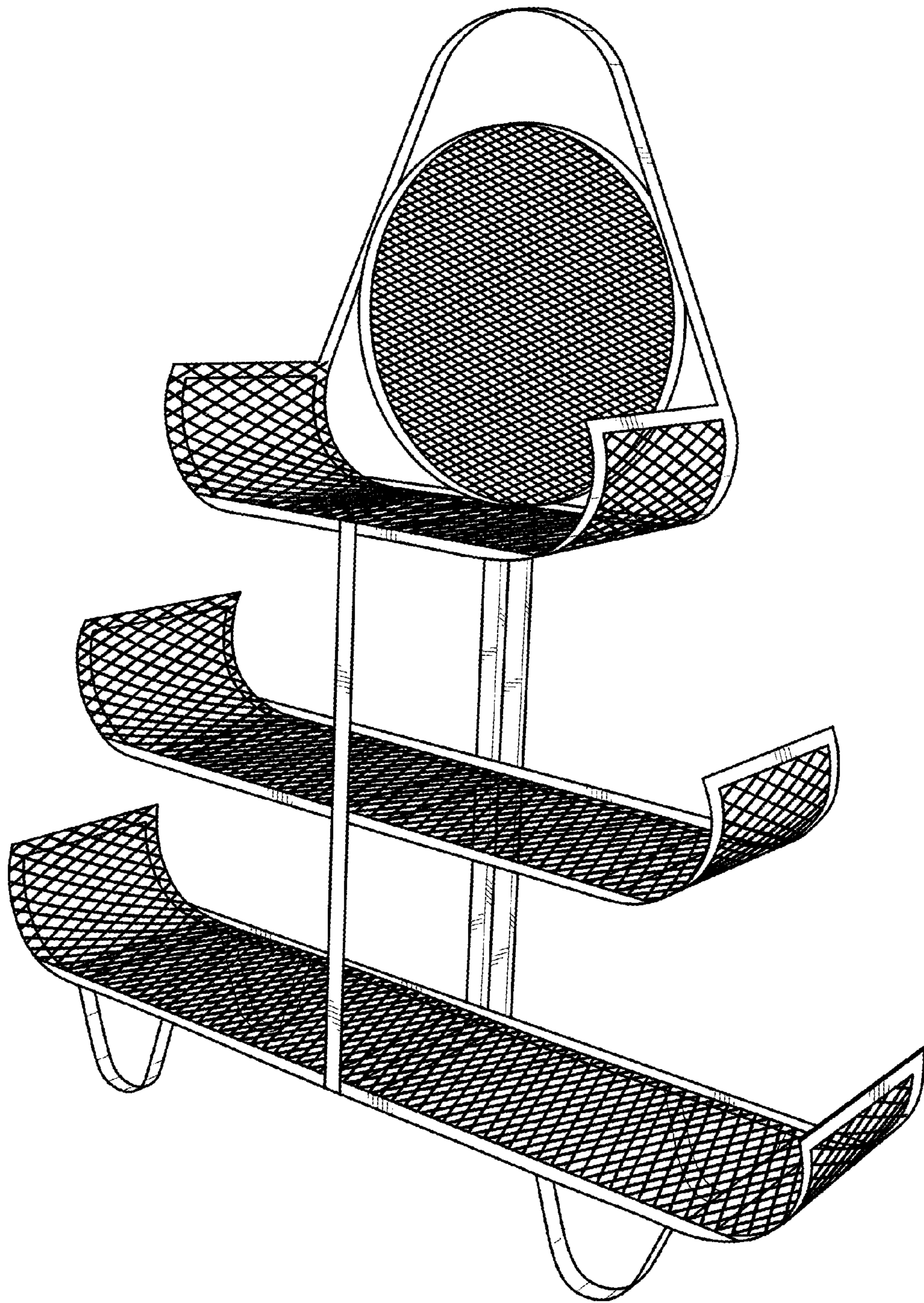


FIG. 1

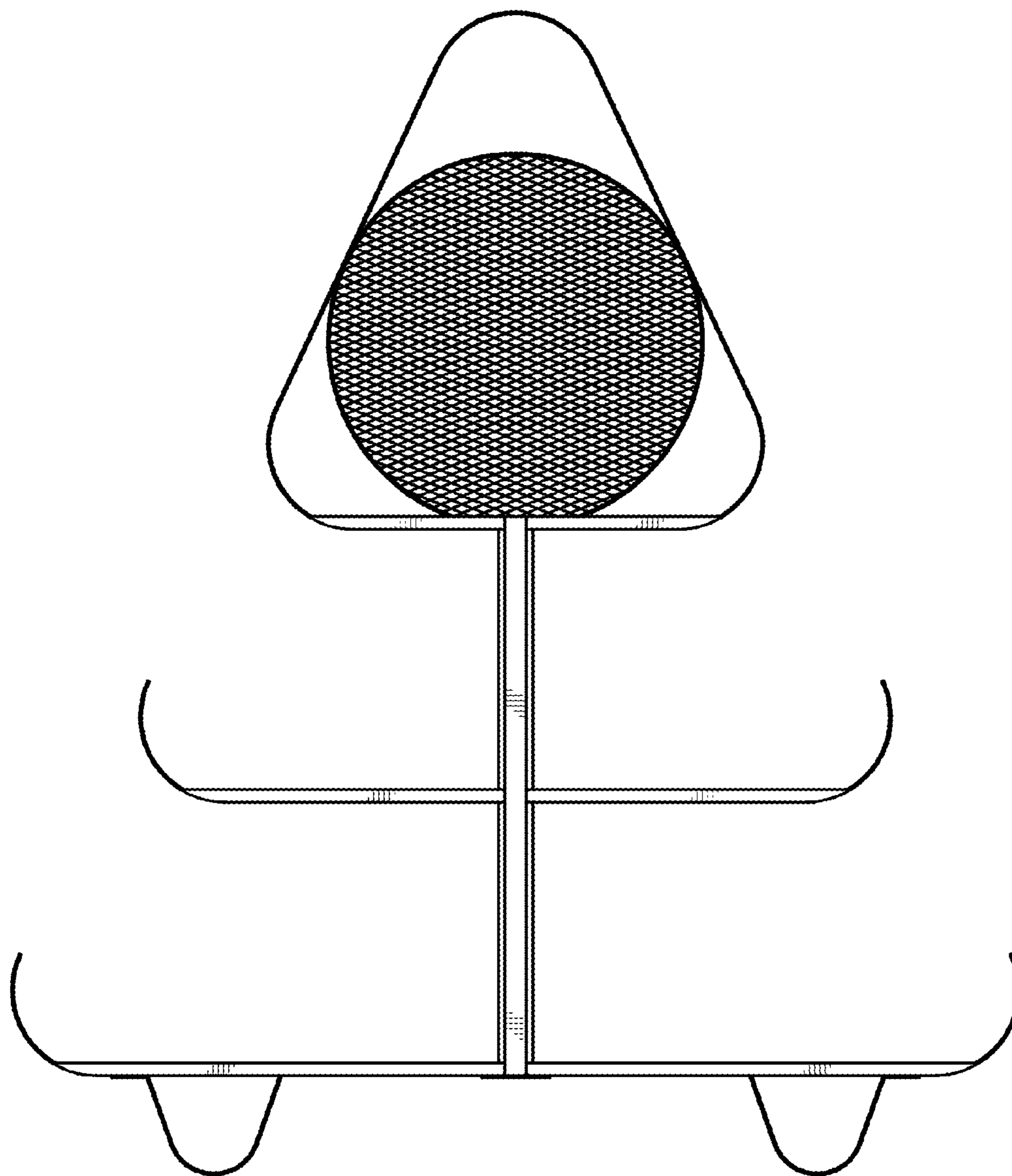


FIG. 2

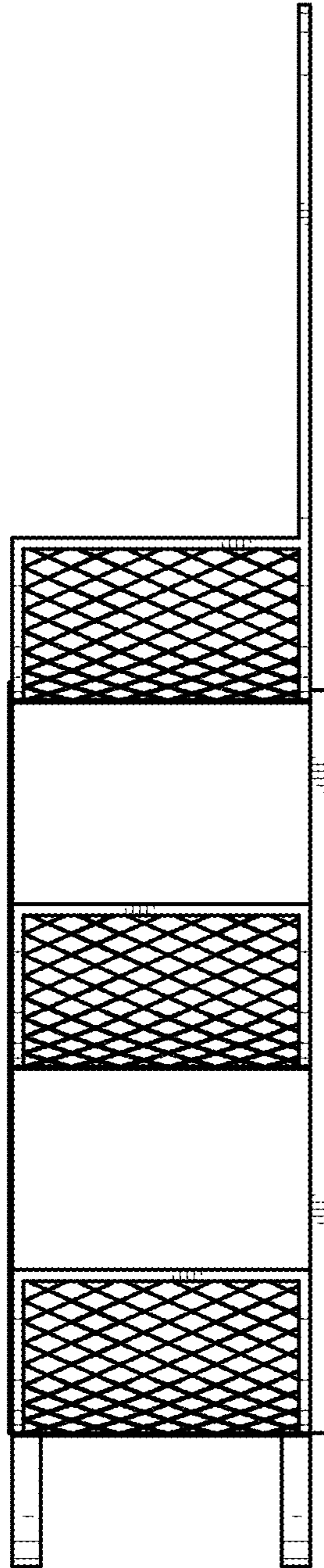


FIG. 3

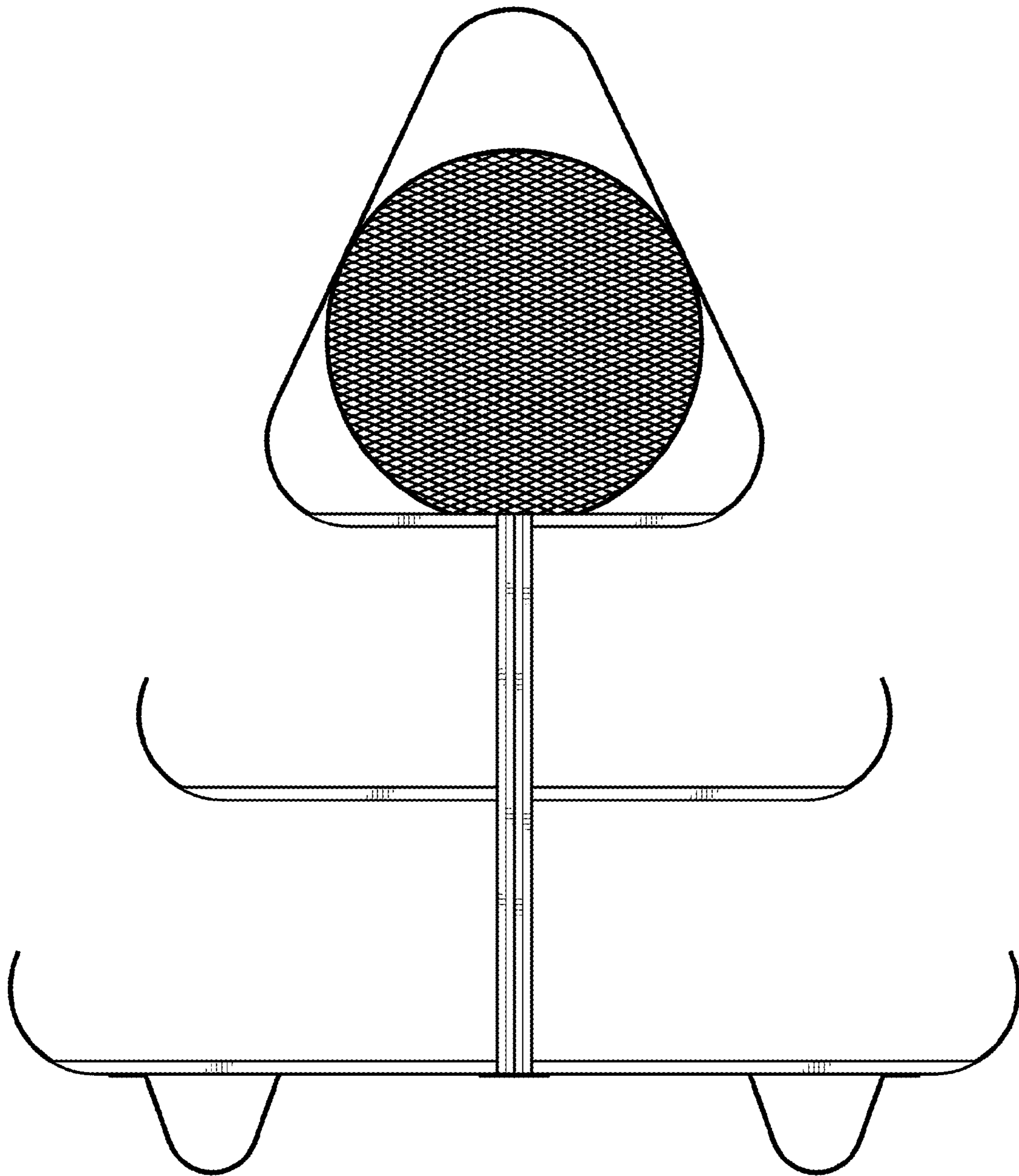


FIG. 4

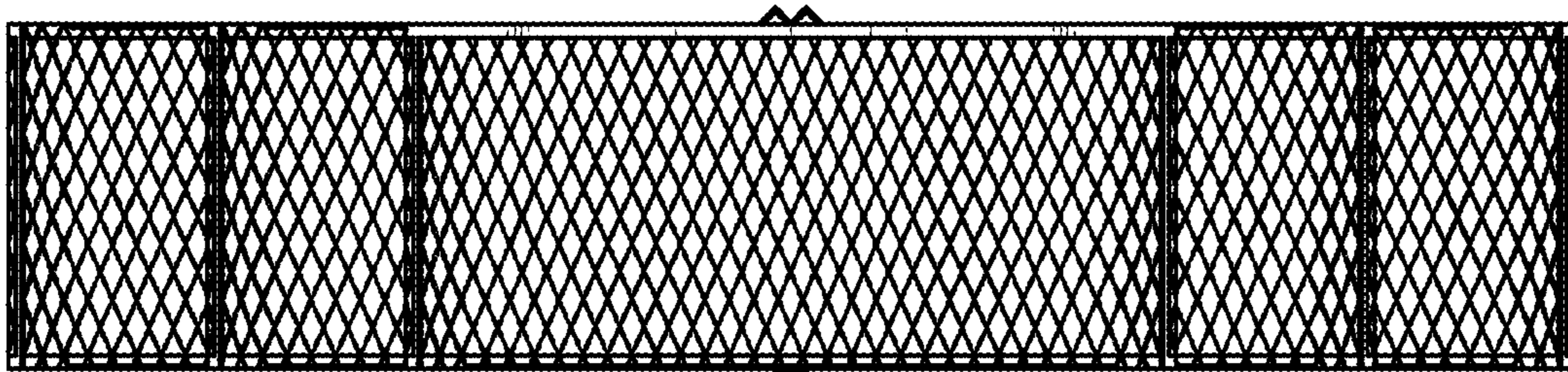


FIG. 5

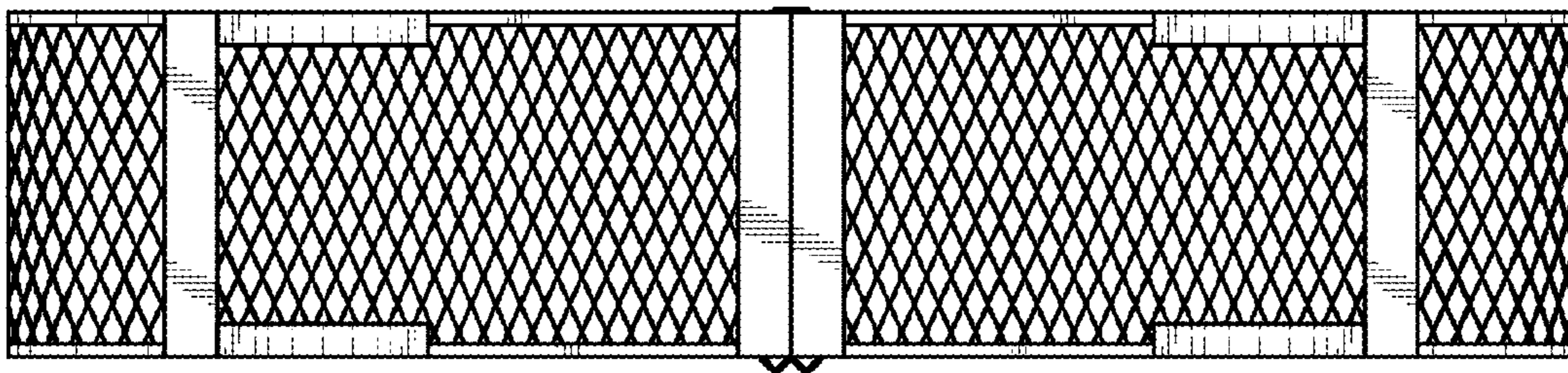


FIG. 6